

[54] WHIRLPOOL SPA TUB

D. 301,060 5/1989 Reid et al. D24/38
2,417,499 3/1947 Ille .

[75] Inventors: James R. Pauls, Concord; Ralph D'Innocente, Pittsburg, both of Calif.

Primary Examiner—Susan J. Lucas
Assistant Examiner—Stella M. Reid
Attorney, Agent, or Firm—Limbach, Limbach & Sutton

[73] Assignee: Jacuzzi Whirlpool Bath, Walnut Creek, Calif.

[**] Term: 14 Years

[57] CLAIM

The ornamental design for a whirlpool spa tub, as shown and described.

[21] Appl. No.: 93,899

[22] Filed: Sep. 4, 1987

[52] U.S. Cl. D24/38

[58] Field of Search D24/38; 4/506, 513, 4/541, 542, 543, 590, 592; D23/277, 280

DESCRIPTION

FIG. 1 is a perspective view of a whirlpool spa tub showing our new design;

FIG. 2 is a top-plan view thereof;

FIG. 3 is a cross-sectional view taken along line 3—3 of FIG. 1;

FIG. 4 is a cross-sectional view taken along line 4—4 of FIG. 1;

FIG. 5 is a cross-sectional view taken along line 5—5 of FIG. 1; and

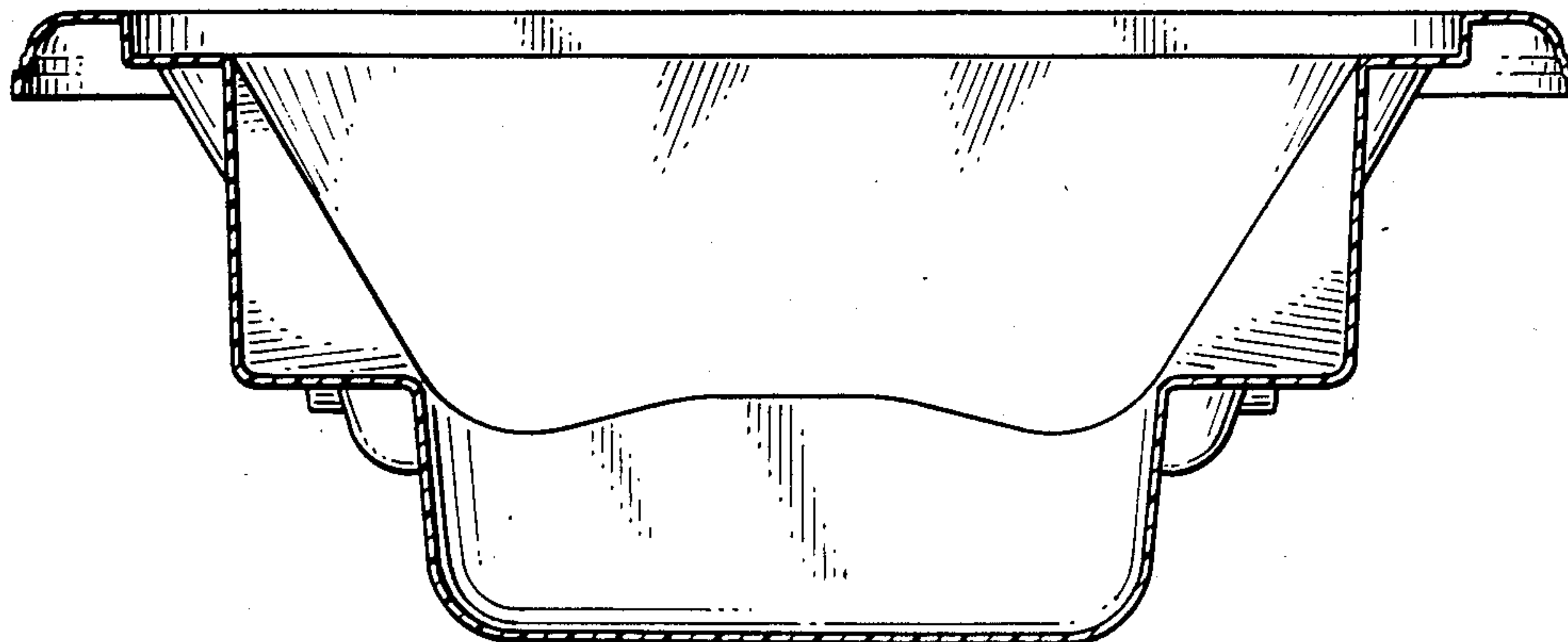
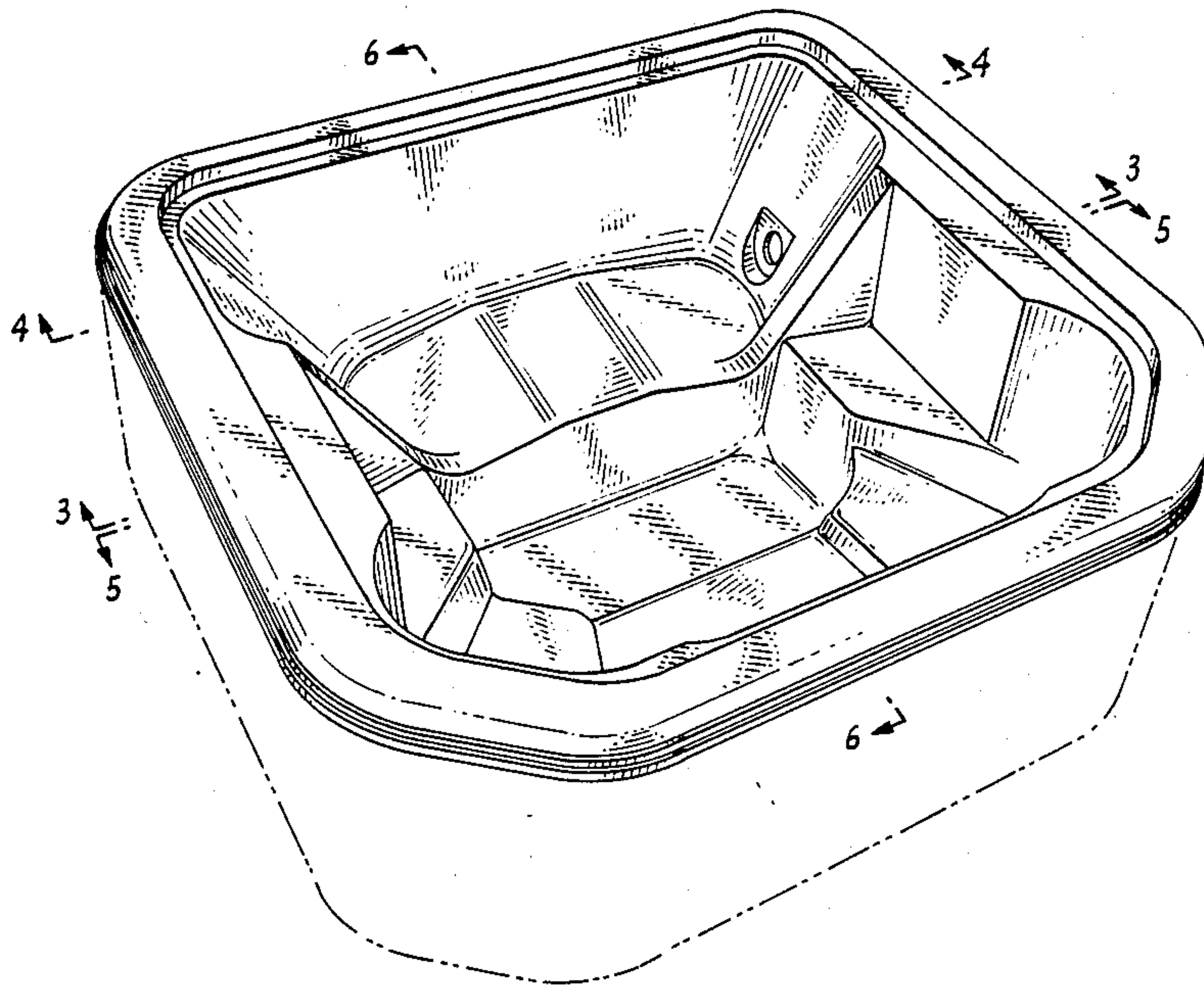
FIG. 6 is a cross-sectional view taken along line 6—6 of FIG. 1.

The fragmentary broken line around FIG. 1 is for illustrative purposes only and forms no part of the claimed design.

[56] References Cited

U.S. PATENT DOCUMENTS

- D. 237,709 11/1975 Jacuzzi et al. .
- D. 254,988 5/1980 Jones et al. D24/38
- D. 264,628 5/1982 Longmire .
- D. 265,345 7/1982 Doman .
- D. 265,922 8/1982 Jasperson .
- D. 267,272 12/1982 Doman et al. .
- D. 271,137 10/1983 Kohler, Jr. et al. .
- D. 294,521 3/1988 Willich et al. D24/38
- D. 294,863 3/1988 Kingsley D24/38



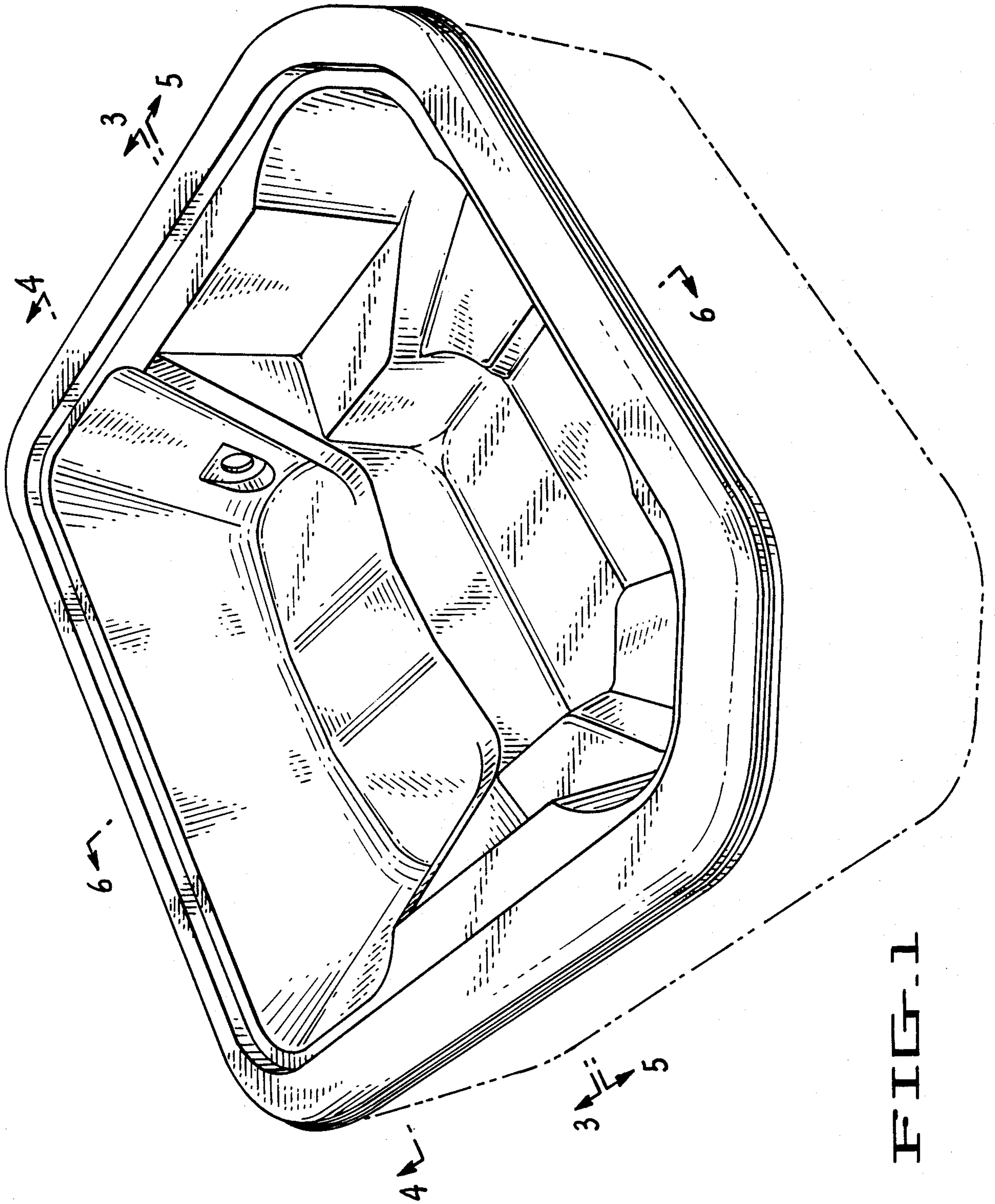


FIG. 1

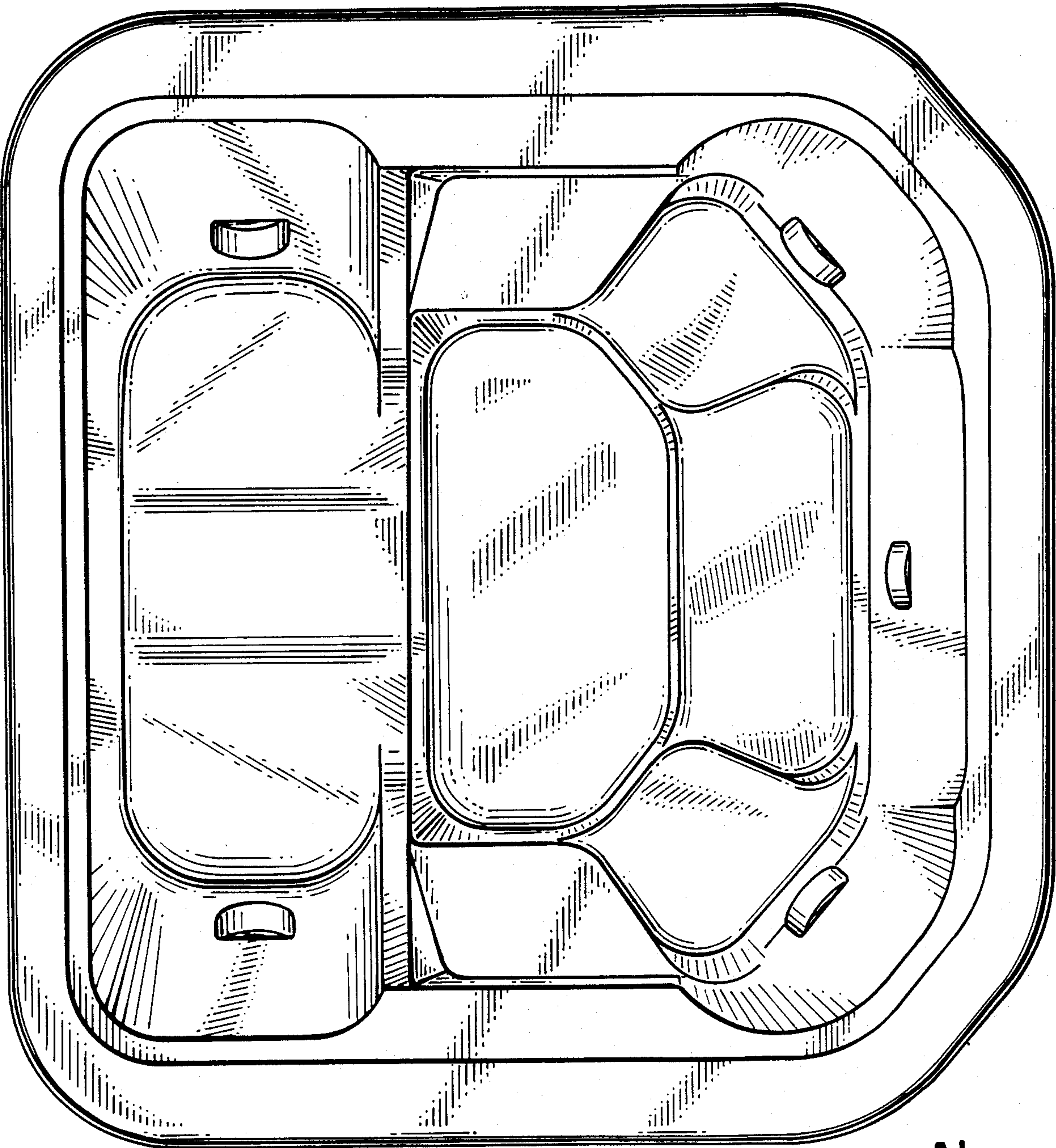


FIG-2

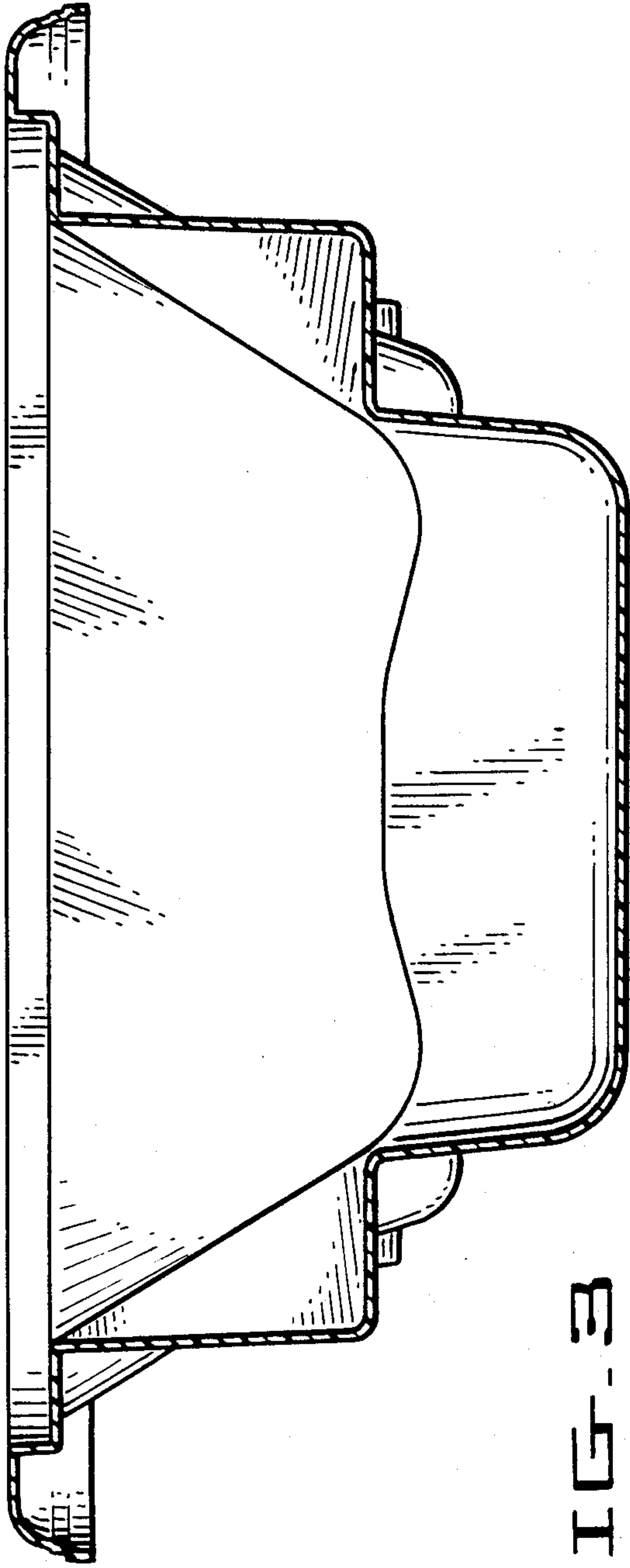


FIG. 3

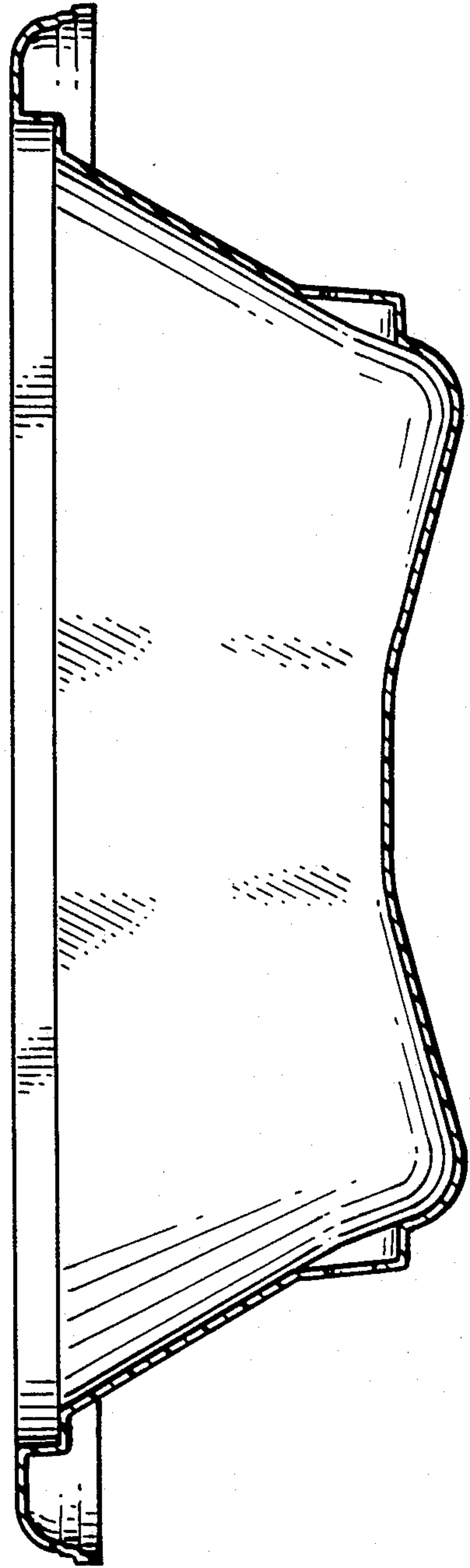


FIG. 4

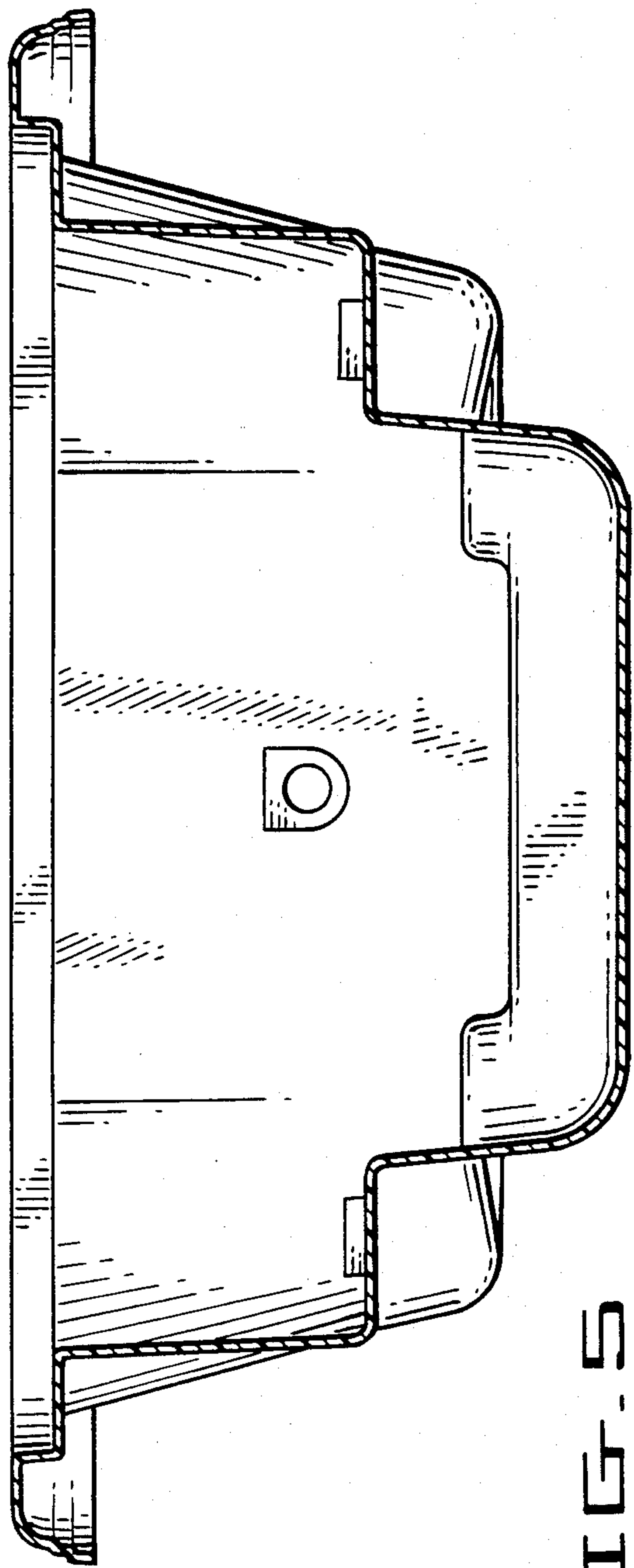


FIG. 5

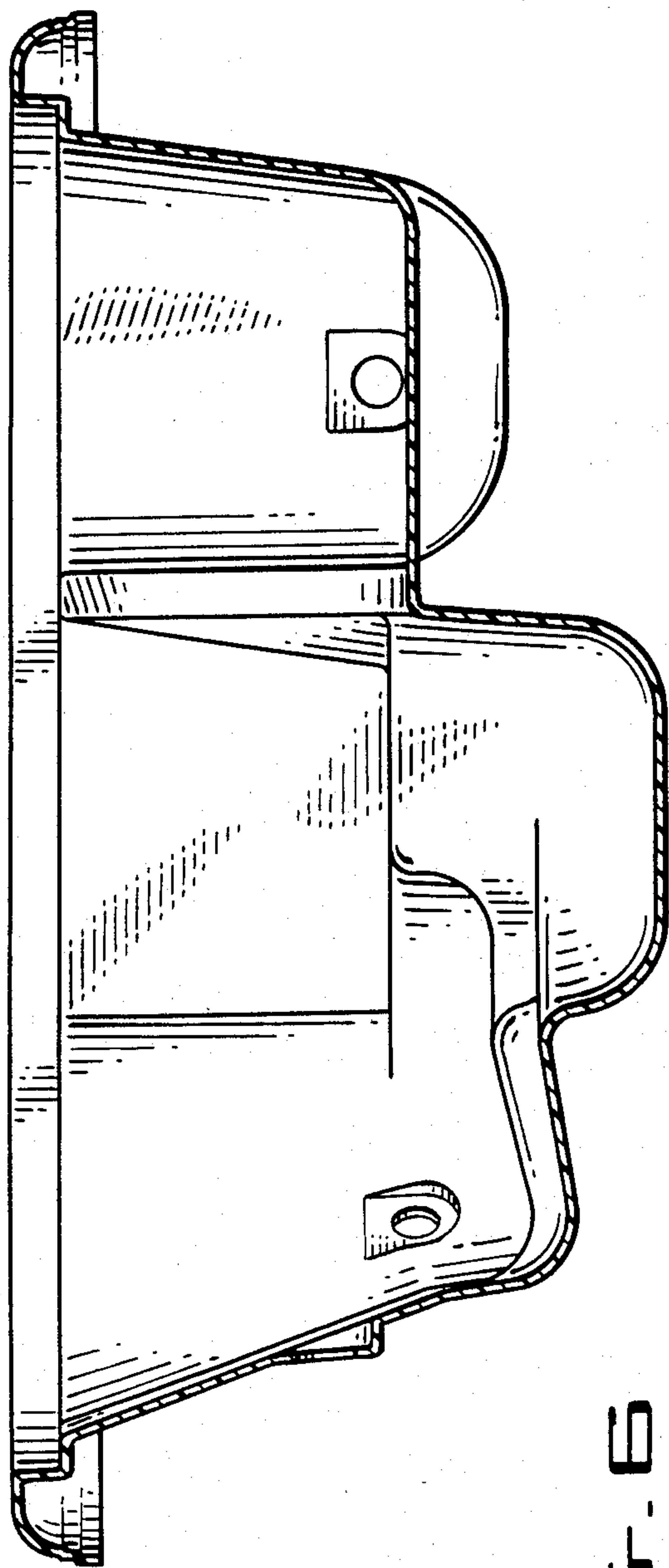


FIG. 6