

# United States Patent [19]

Bisha' et al.

[11] Patent Number: Des. 305,060

[45] Date of Patent: \*\* Dec. 12, 1989

[54] DUAL CHANNEL IV INFUSION PUMP  
[75] Inventors: Jon Bisha', Mill Creek, Wash.;  
Michael R. Aten, San Diego, Calif.

[73] Assignee: Fisher Scientific Company,  
Pittsburgh, Pa.

[\*\*] Term: 14 Years

[21] Appl. No.: 122,006

[22] Filed: Nov. 18, 1987

[52] U.S. Cl. .... D24/8

[58] Field of Search ..... D24/52, 51, 8, 17;  
604/250, 253, 152, 123, 67, 65, 131, 118, 260;  
128/DIG. 12, DIG. 13

[56] **References Cited**

**U.S. PATENT DOCUMENTS**

D. 268,206 3/1983 Kosako ..... D24/8  
D. 268,284 3/1983 Manno et al. .... D24/8  
D. 285,347 8/1986 Nelson et al. .... D24/51

4,336,800 6/1982 Giovanni ..... 604/123  
4,652,262 3/1987 Veracchi ..... 604/250  
4,705,506 11/1987 Archibald ..... 604/250 X  
4,718,896 1/1988 Arndt et al. .... 604/253

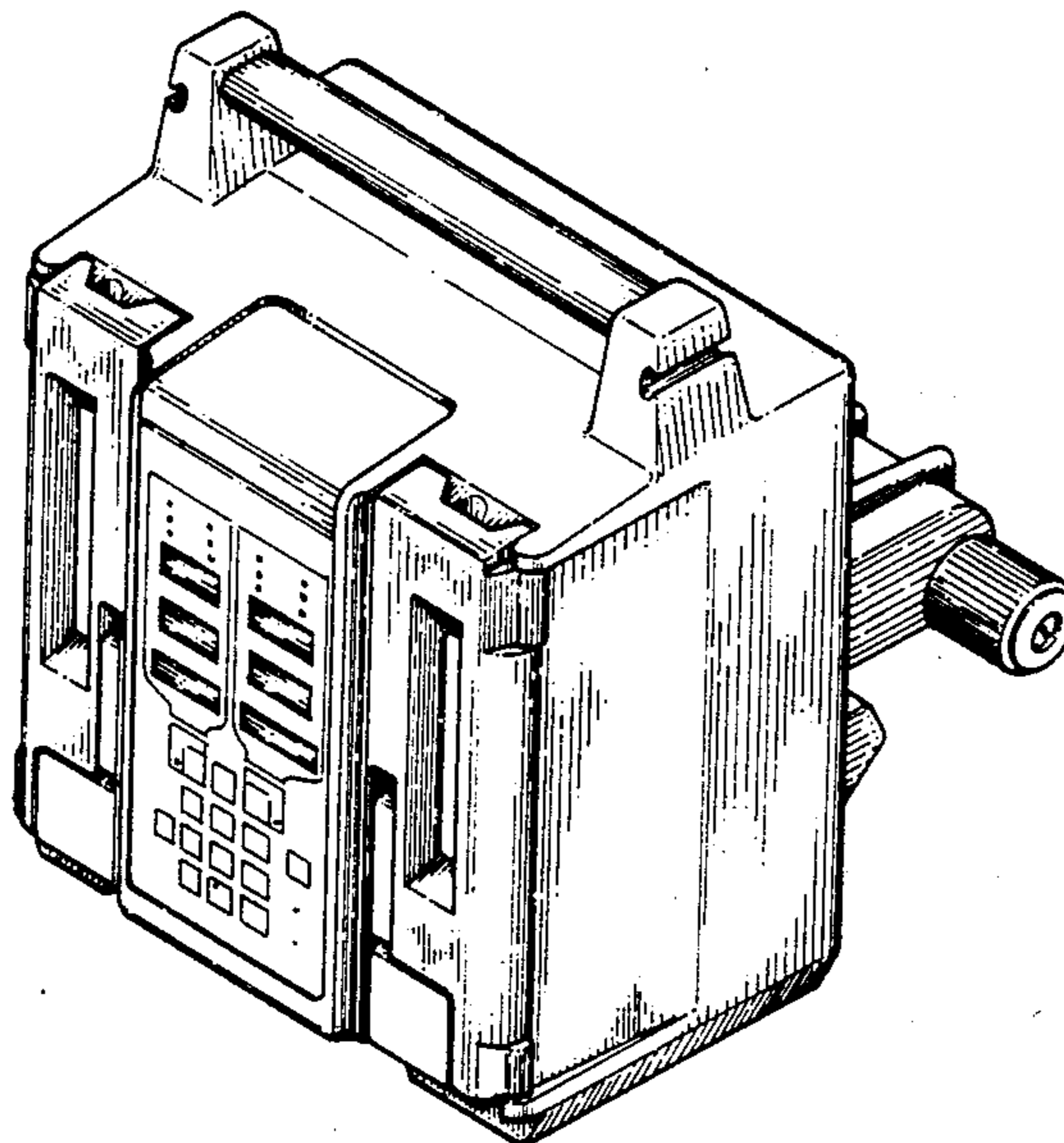
*Primary Examiner*—Wallace R. Burke  
*Assistant Examiner*—Stella M. Reid  
*Attorney, Agent, or Firm*—Nydegger & Harshman

[57] **CLAIM**

The ornamental design for a dual channel IV infusion pump, as shown.

**DESCRIPTION**

FIG. 1 is a front elevational view of a dual channel IV infusion pump showing our design;  
FIG. 2 is a top plan view thereof;  
FIG. 3 is a right side elevational view thereof;  
FIG. 4 is a left side elevational view thereof;  
FIG. 5 is a back elevational view thereof;  
FIG. 6 is a bottom plan view thereof; and  
FIG. 7 is a perspective view thereof.



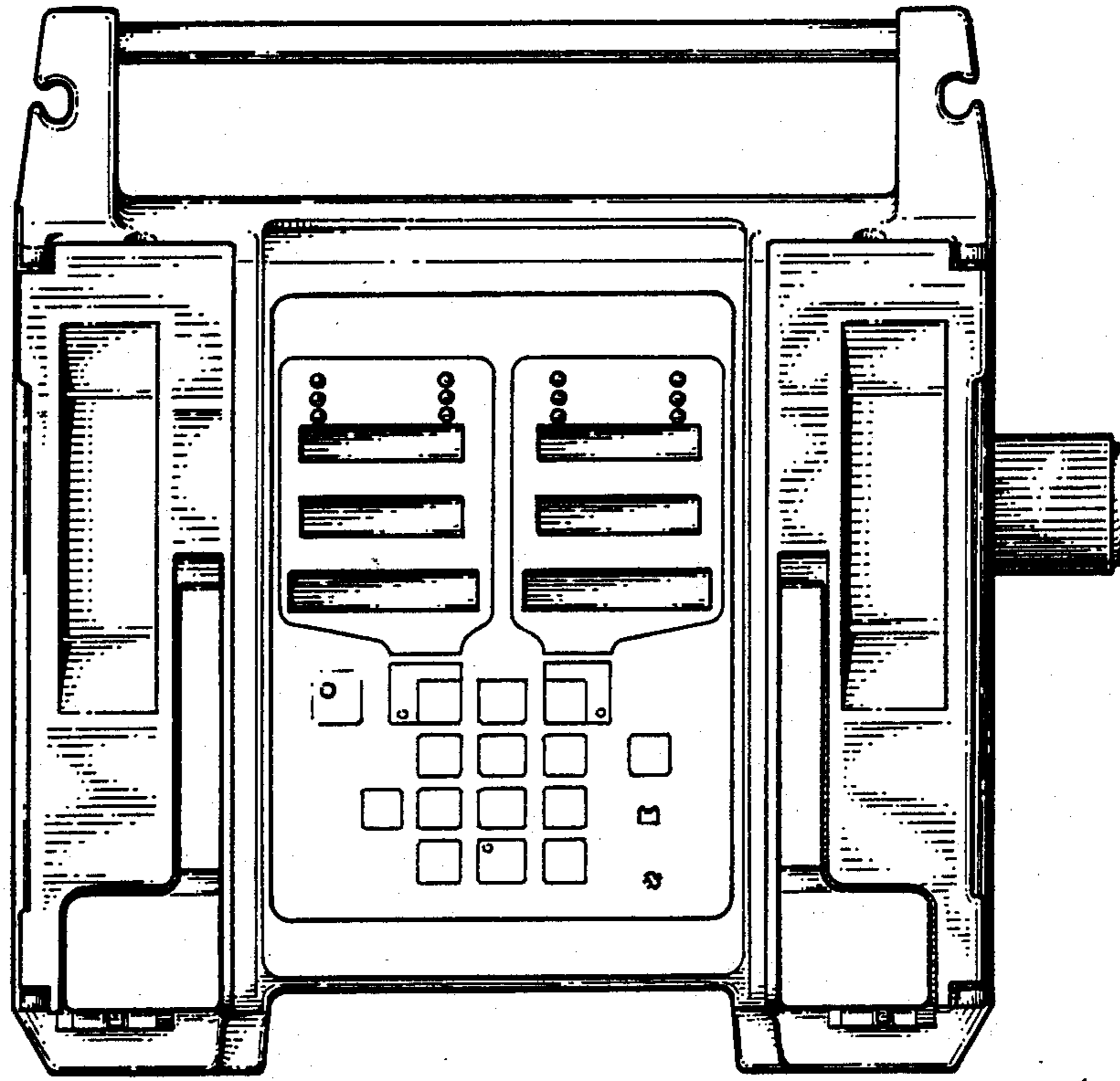


FIG. 1

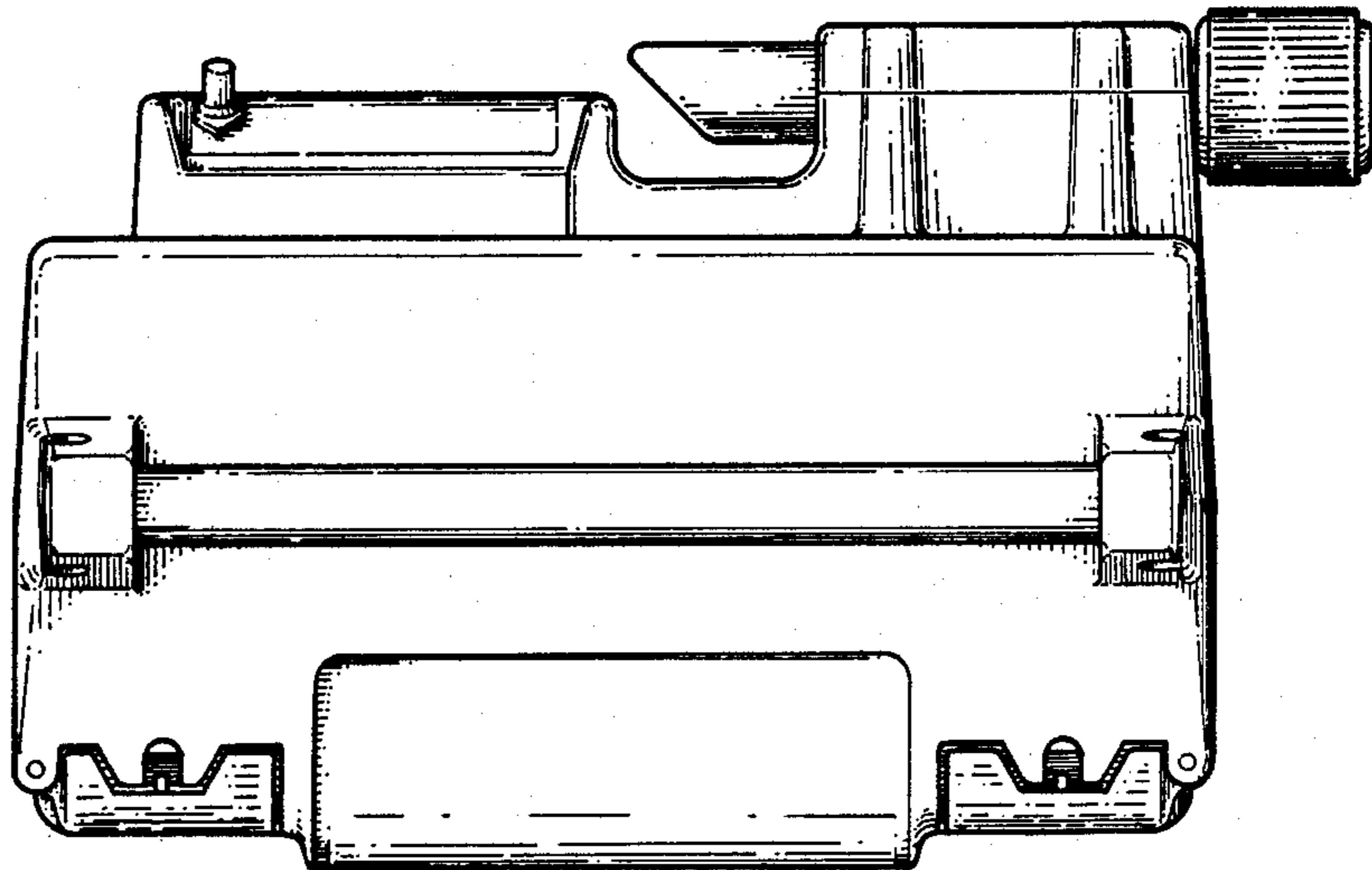


FIG. 2

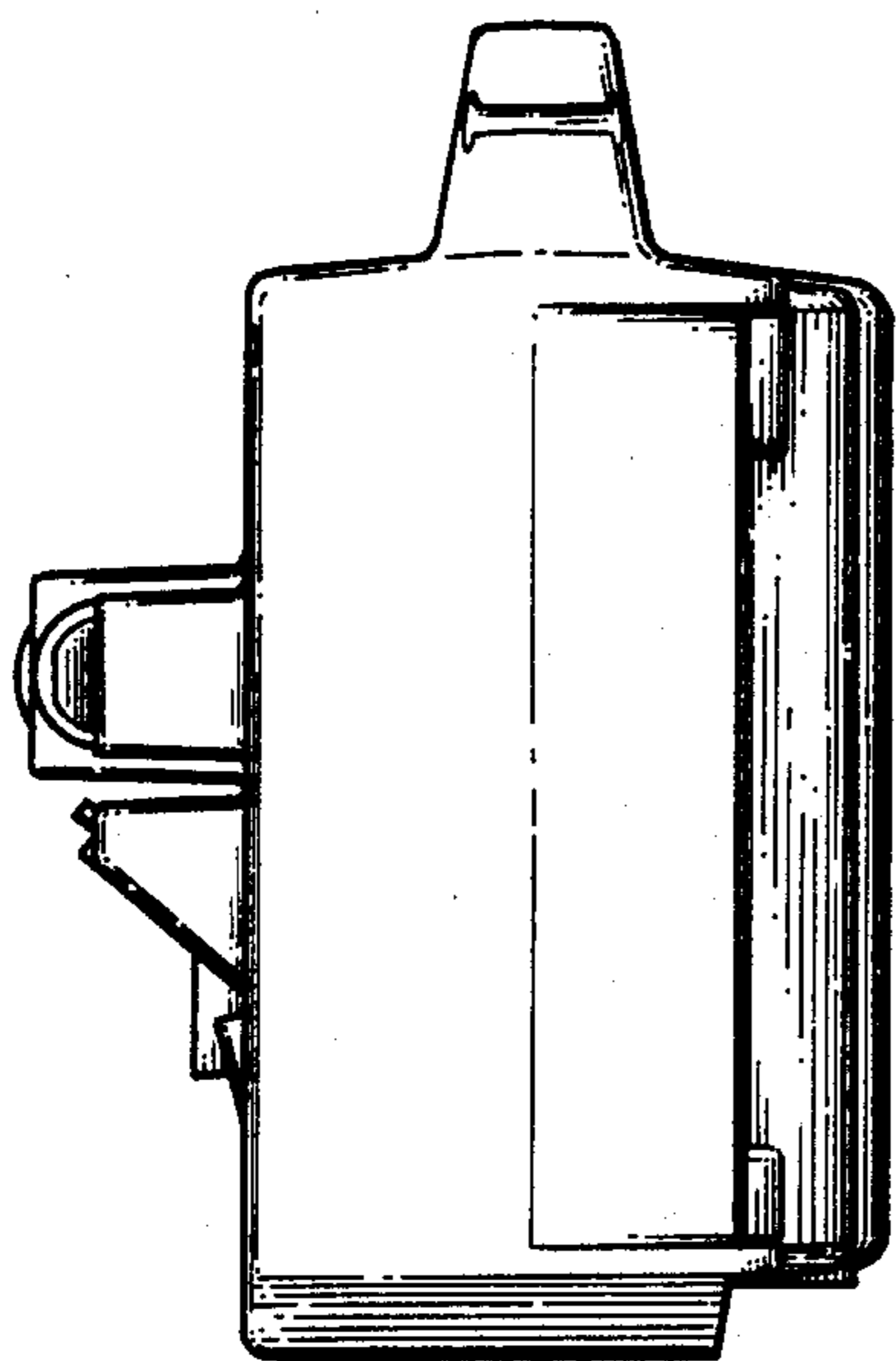


FIG. 3

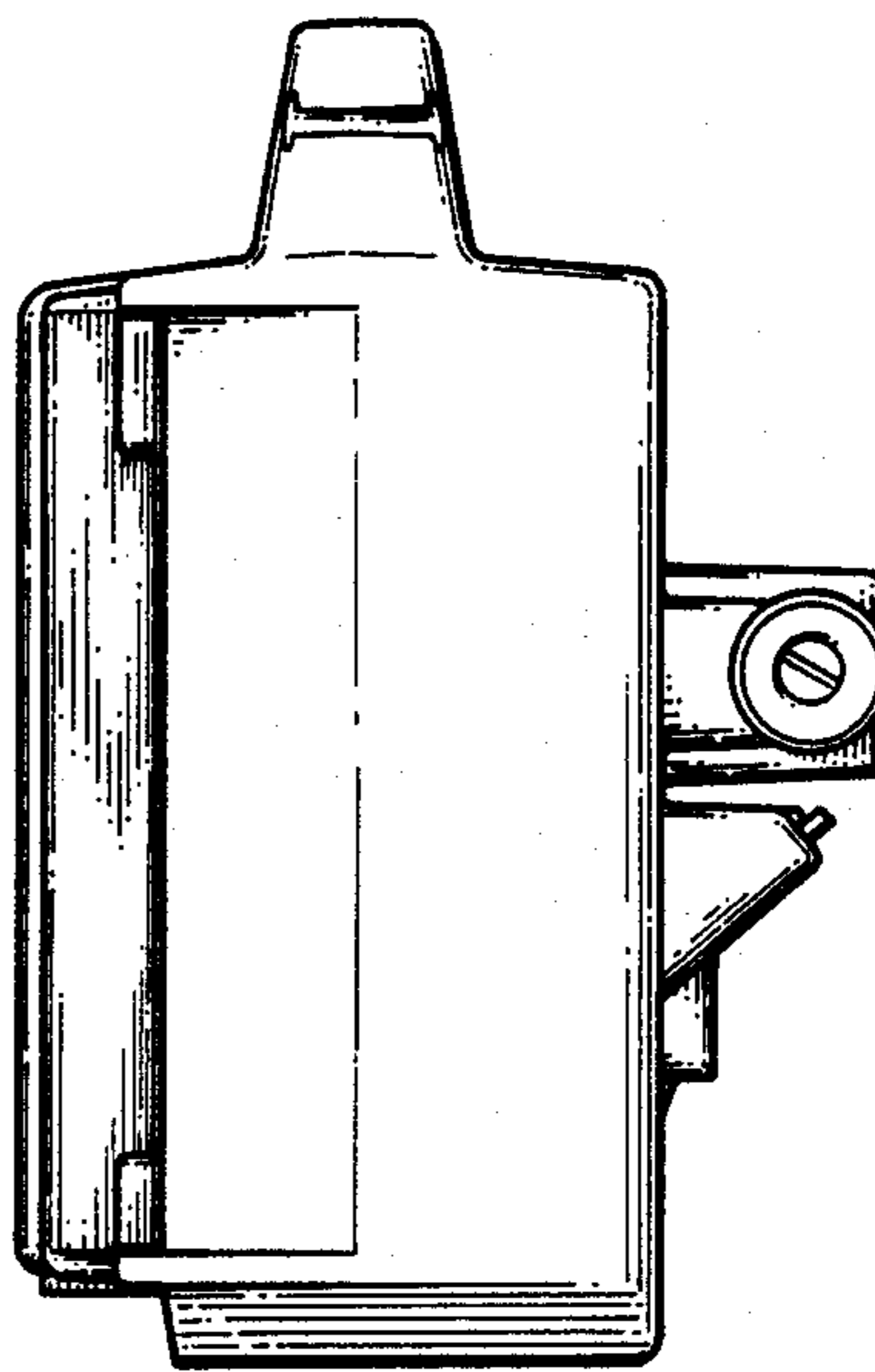


FIG. 4

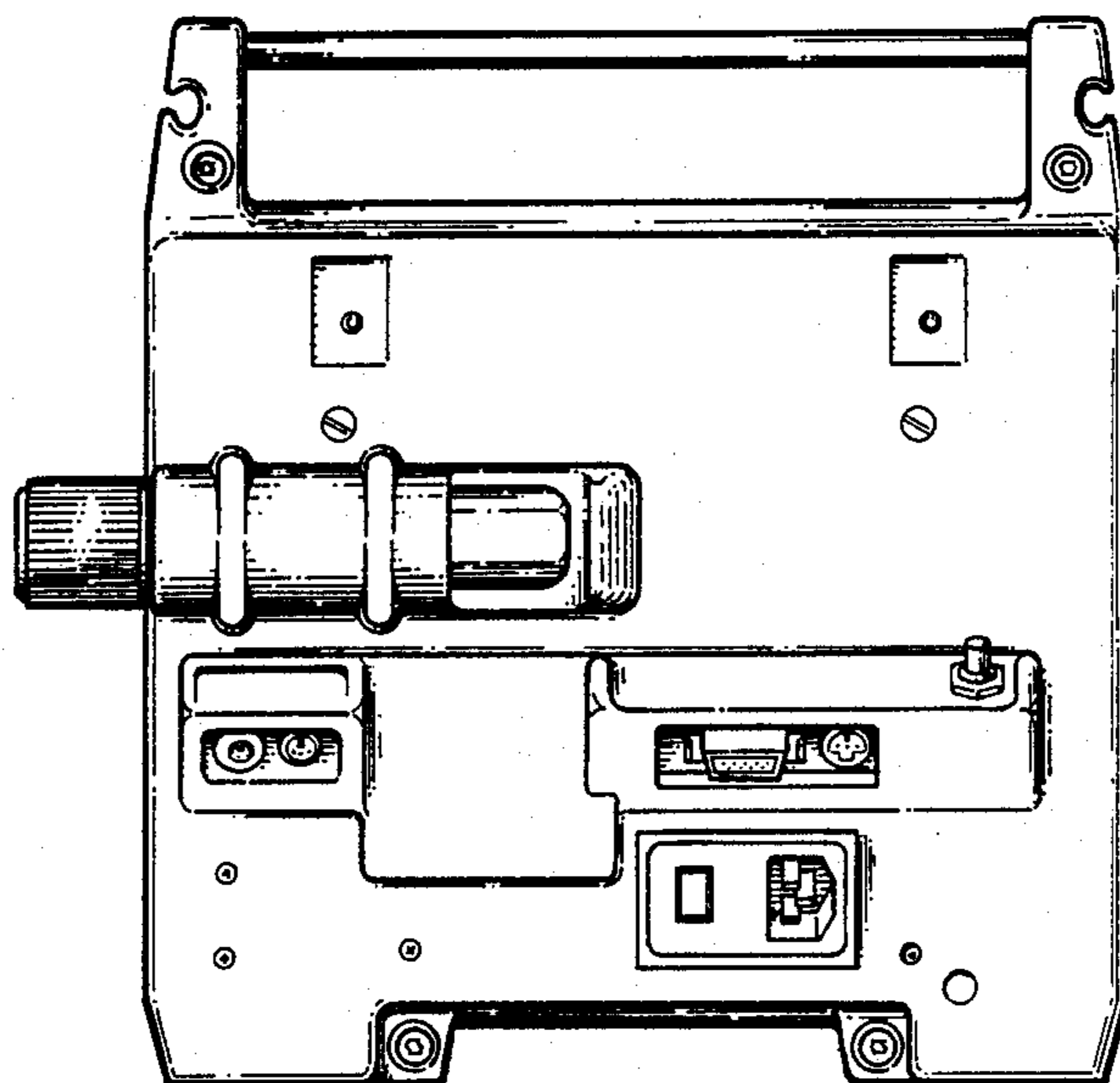


FIG. 5

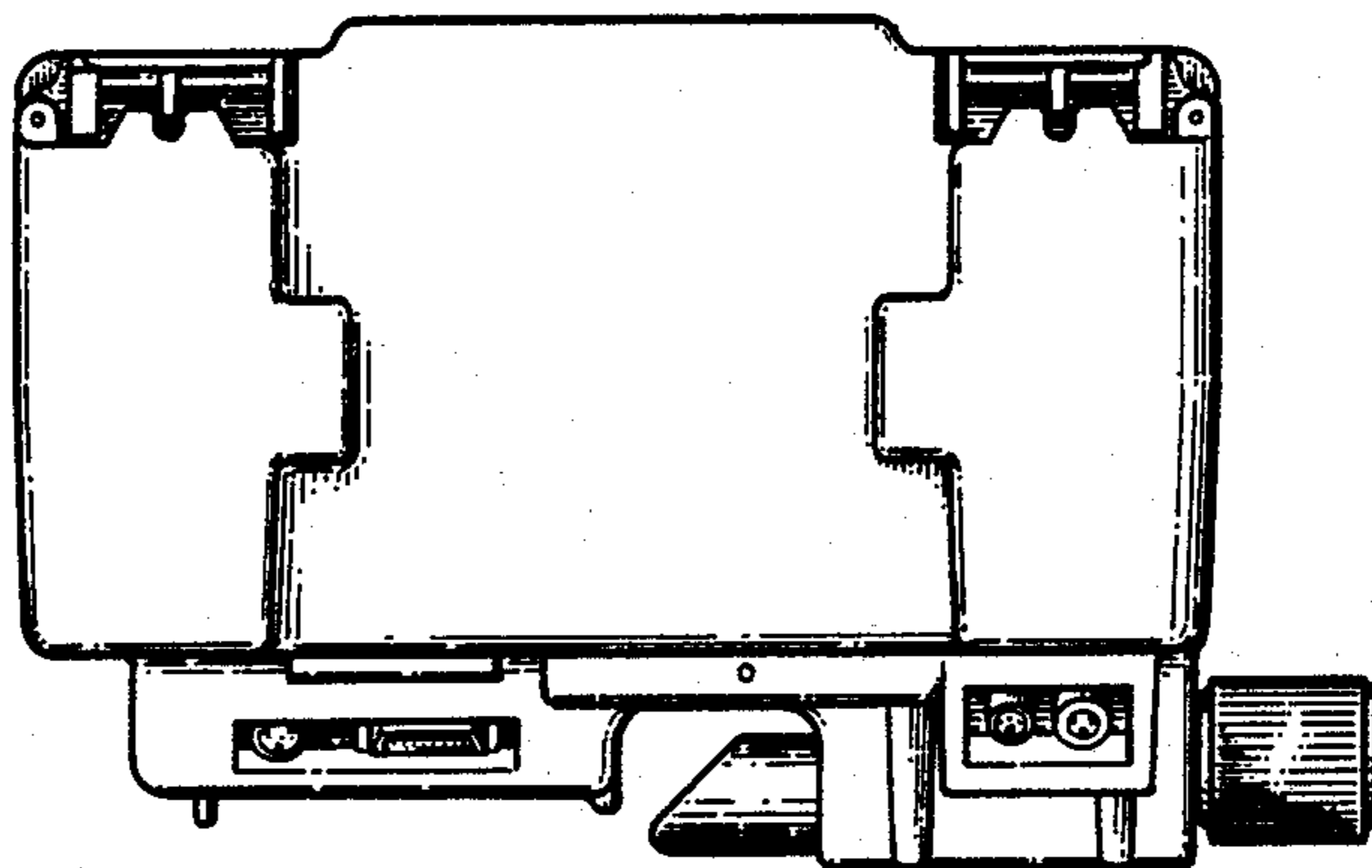


FIG. 6

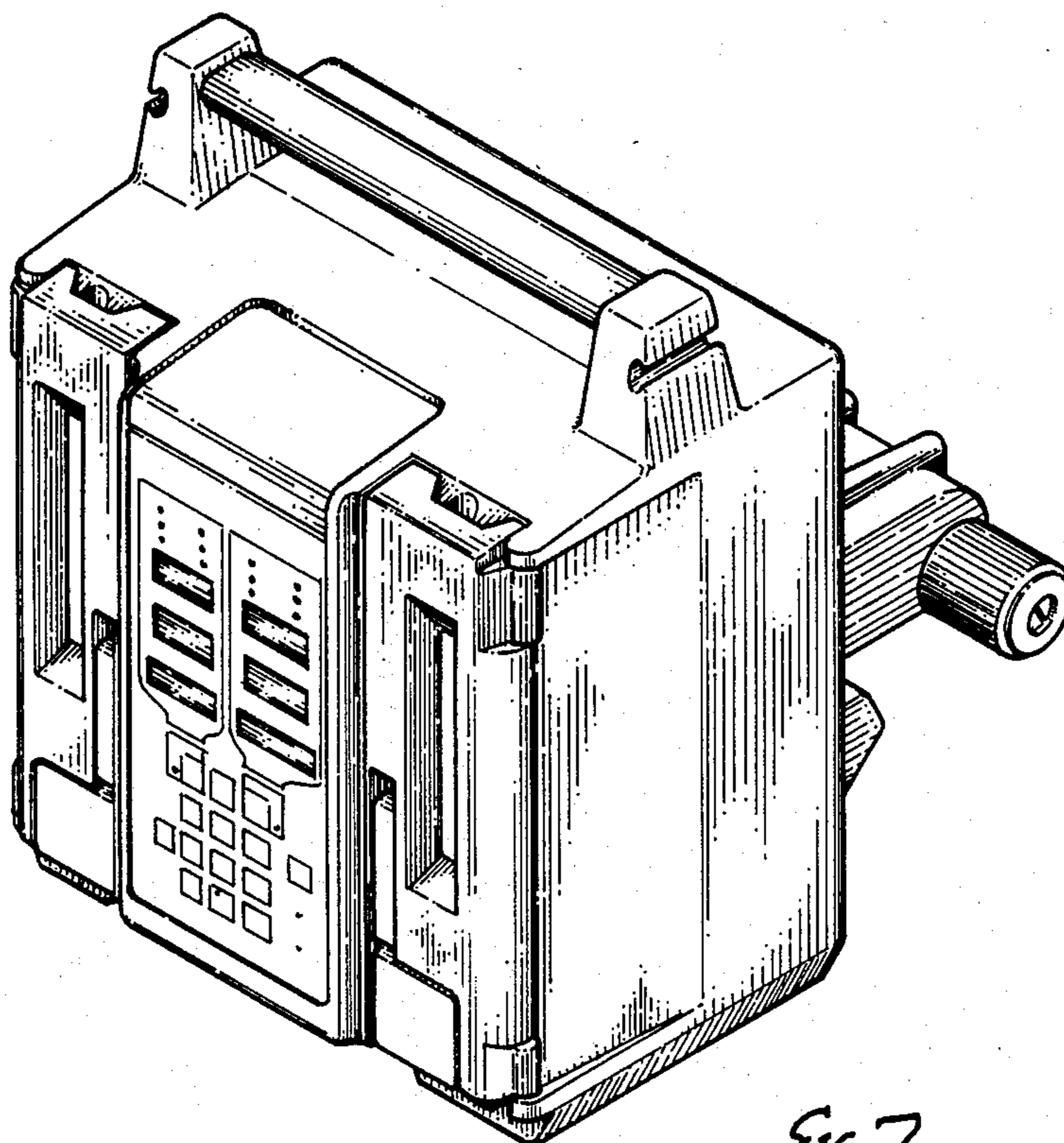


FIG. 7