

[54] COMBINED CEILING FAN AND LIGHT

[75] Inventors: Pasquale Miranda; Timothy Irish, both of New York, N.Y.

[73] Assignee: Murray Feiss Import Corp., Bronx, N.Y.

[**] Term: 14 Years

[21] Appl. No.: 194,590

[22] Filed: May 16, 1988

[52] U.S. Cl. D23/377

[58] Field of Search D23/370, 377, 379, 385; D26/51, 59, 128, 130; 416/206, 205, 5; 362/96, 404, 405

[56] References Cited

U.S. PATENT DOCUMENTS

D. 77,794	2/1929	Terrell	D26/130
D. 82,131	9/1930	Brady	D26/128
D. 125,929	3/1941	Rolph et al.	D26/130
D. 190,891	7/1961	Mobley	D23/370
1,310,378	7/1919	Strauss	D26/130
2,056,041	9/1936	Erbach	D23/385
2,130,802	9/1938	Kisling	416/5
4,370,097	1/1983	Hanson et al.	D23/379
4,750,863	6/1988	Scoggins	416/5

OTHER PUBLICATIONS

Casablanca Fan Company, Halogen Star Ceiling Fans Advertisement, p. 2, Halogen Star Fans—Models 220N16T, 220211T, 220216T, left side of page.
Casablanca Fan Company, Italian Design Series Ceiling Fan Catalogue, Light Kit #KGIB-2, p. 3, bottom right side of page.

Primary Examiner—James M. Gandy
Assistant Examiner—Lisa Lichtenstein
Attorney, Agent, or Firm—Philip H. Gottfried

[57] CLAIM

The ornamental design for a combined ceiling fan and light, as shown and described.

DESCRIPTION

FIG. 1 is a bottom plan view of a combined ceiling fan and light, showing my new design;

FIG. 2 is a front side elevational view thereof, the rear, left and right side elevational views being mirror images of the side shown.

FIG. 3 is an enlarged bottom plan view thereof, with parts of the fan blades broken away for convenience of illustration.

FIG. 4 is a front elevational view of FIG. 3.

FIG. 5 is a top plan view of FIG. 3.

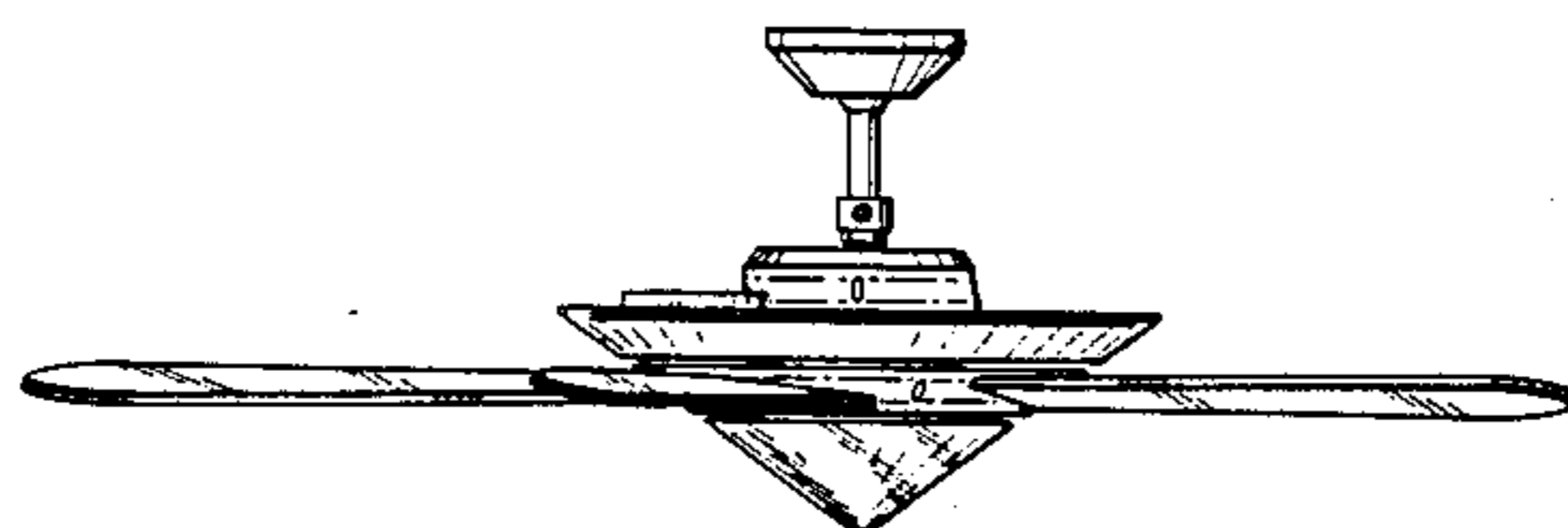
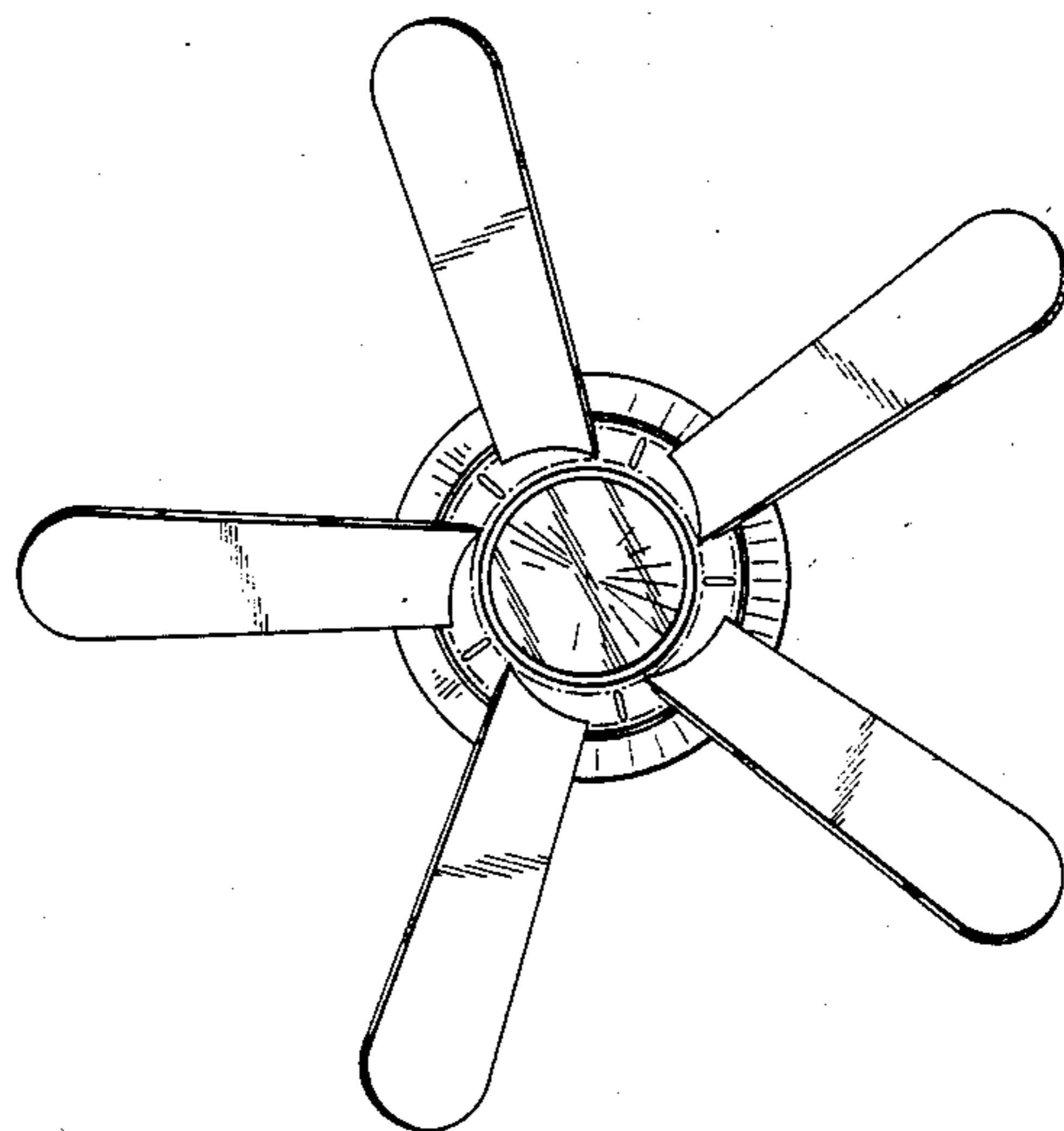
FIG. 6 is a bottom plan view of a combined ceiling fan and light, showing a second embodiment of my new design, with parts of the fan blades broken away for convenience of illustration.

FIG. 7 is a front side elevational view of FIG. 6, the rear, left, and right side elevational views being mirror images thereof.

FIG. 8 is a top plan view of FIG. 6.

The fan blades of the second embodiment of the design are understood to be identical to those of the first embodiment as shown in FIGS. 1 and 2 of the drawing.

The pattern of vent holes has been partially shown in FIGS. 1 and 2 for ease of illustration, it being understood that the dot-dash lines represent the continuous pattern of said vent holes, which are fully depicted in FIGS. 3 and 4.



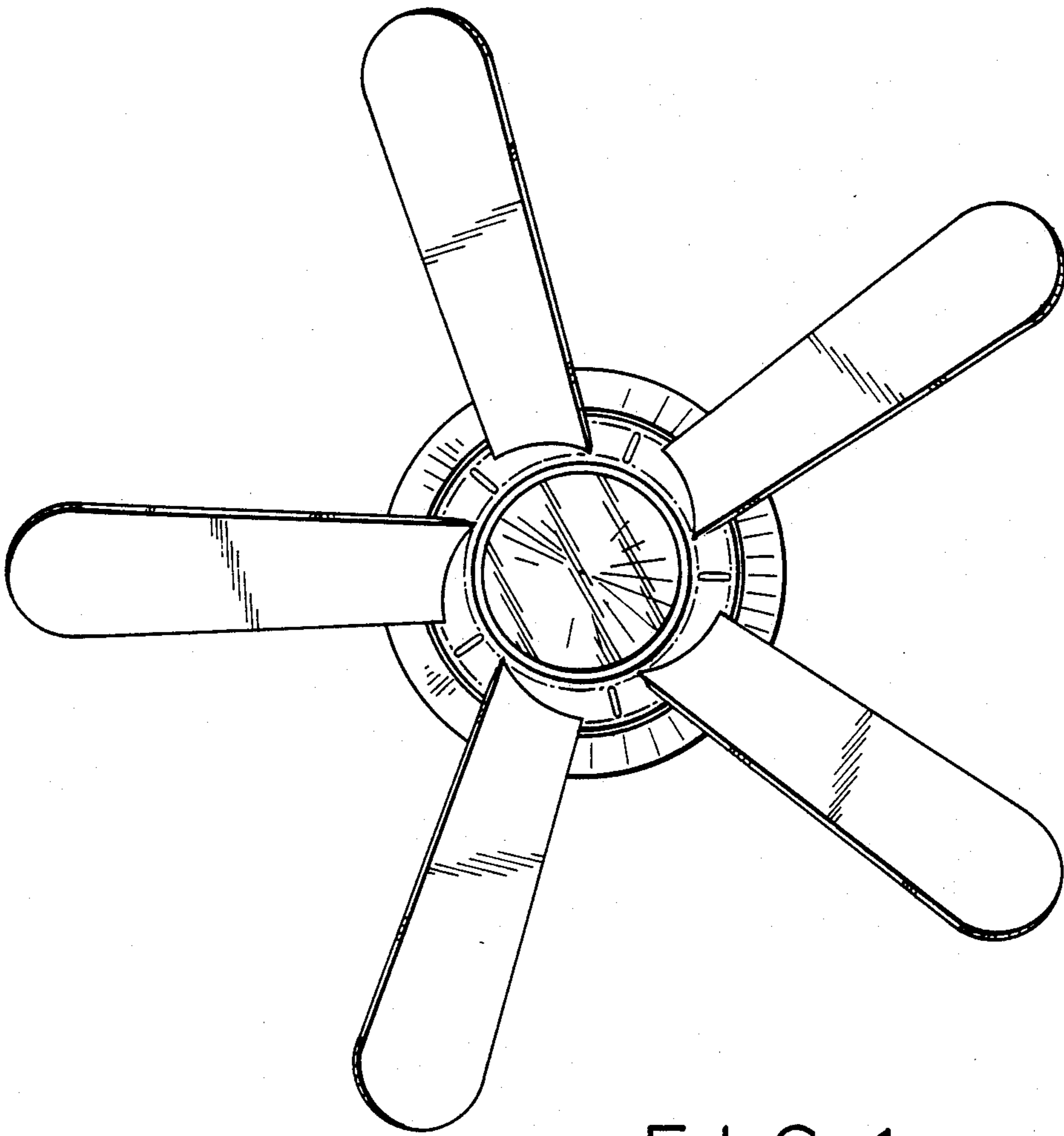


FIG. 1

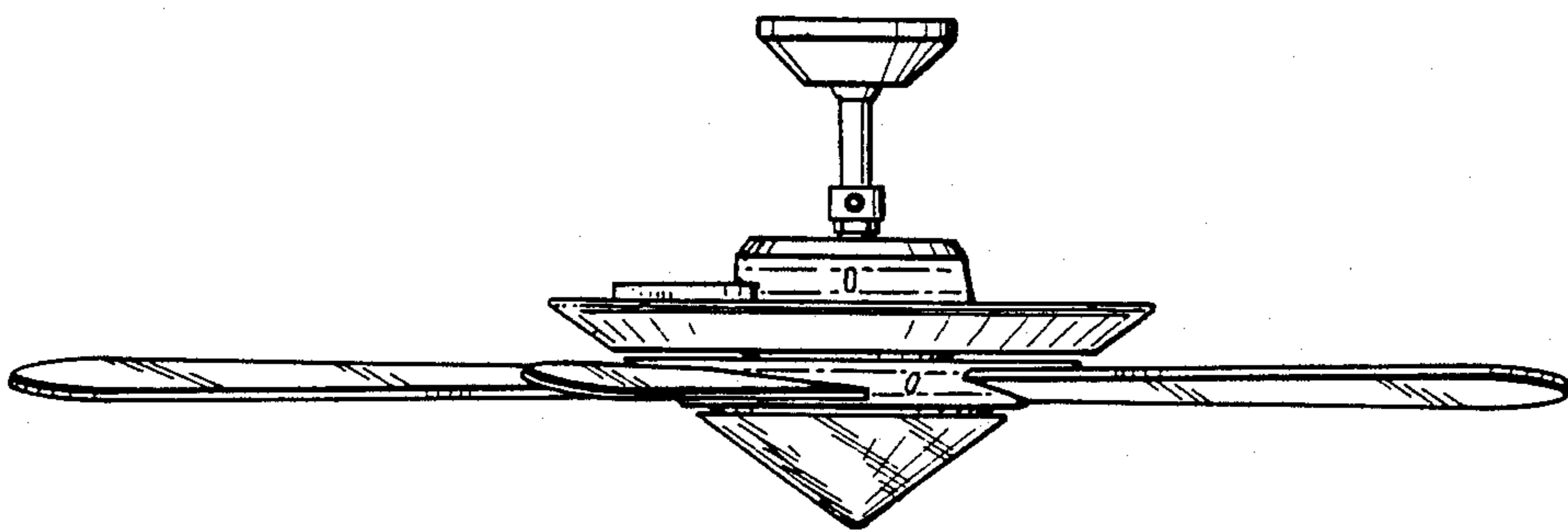


FIG. 2

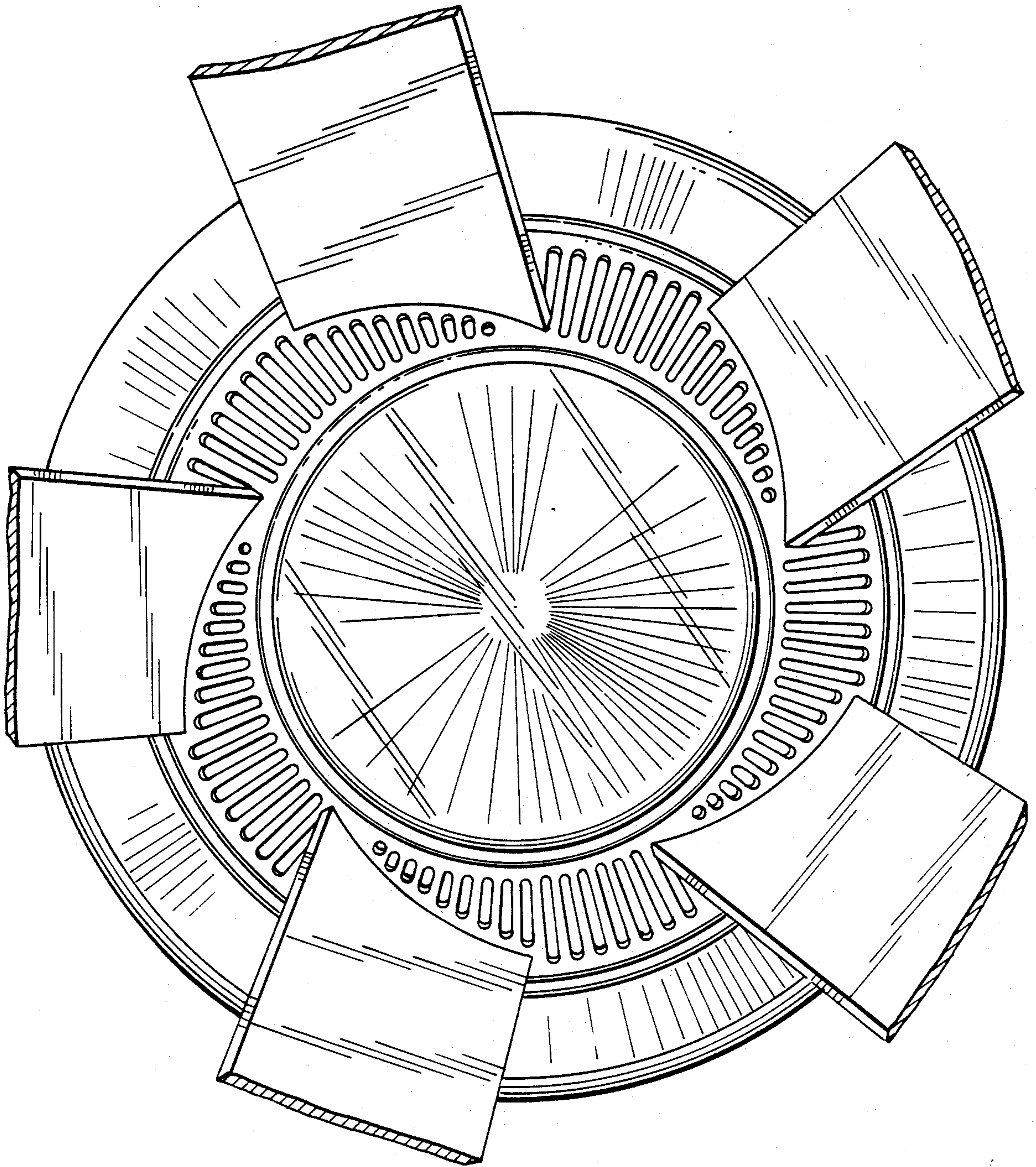


FIG. 3

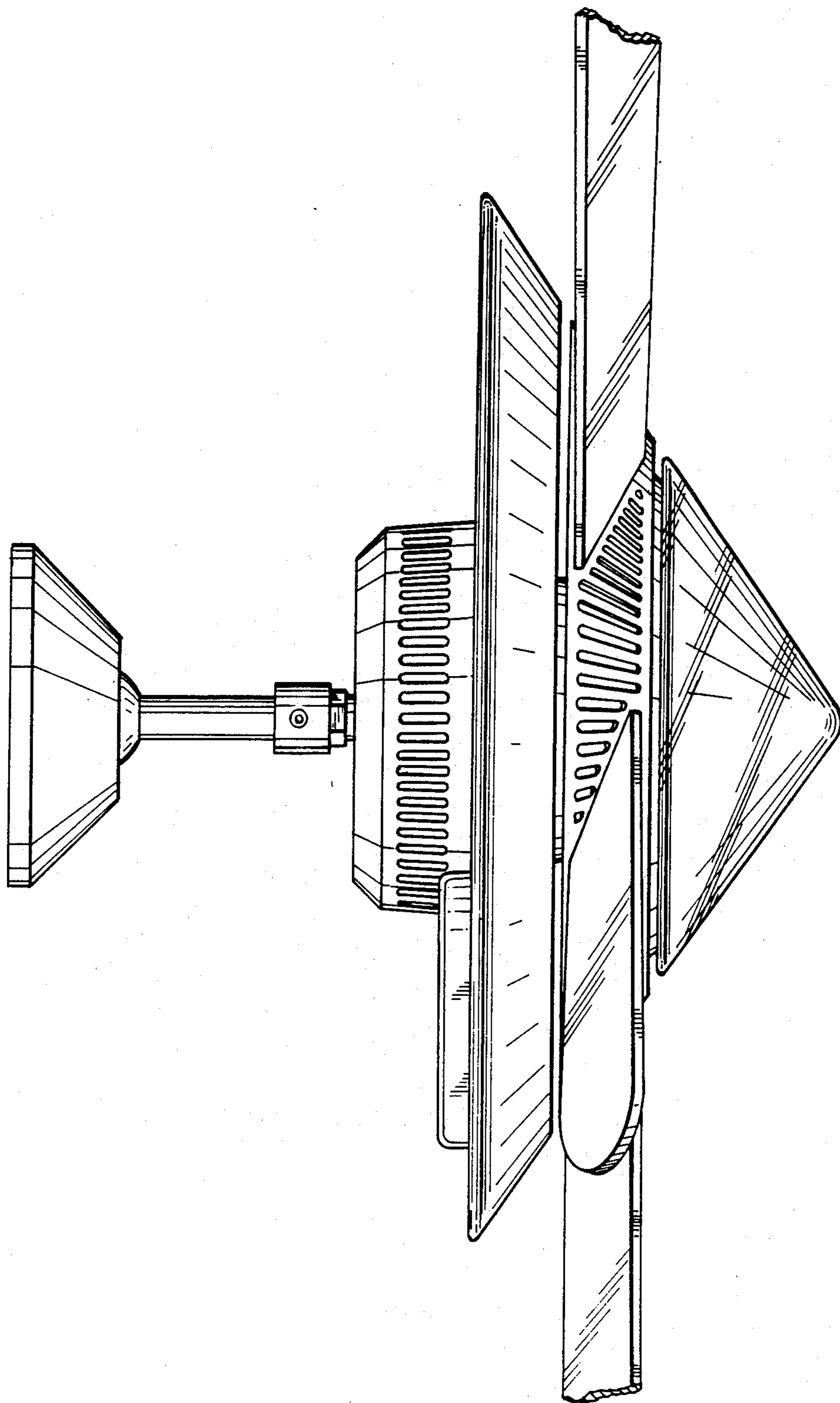


FIG. 4

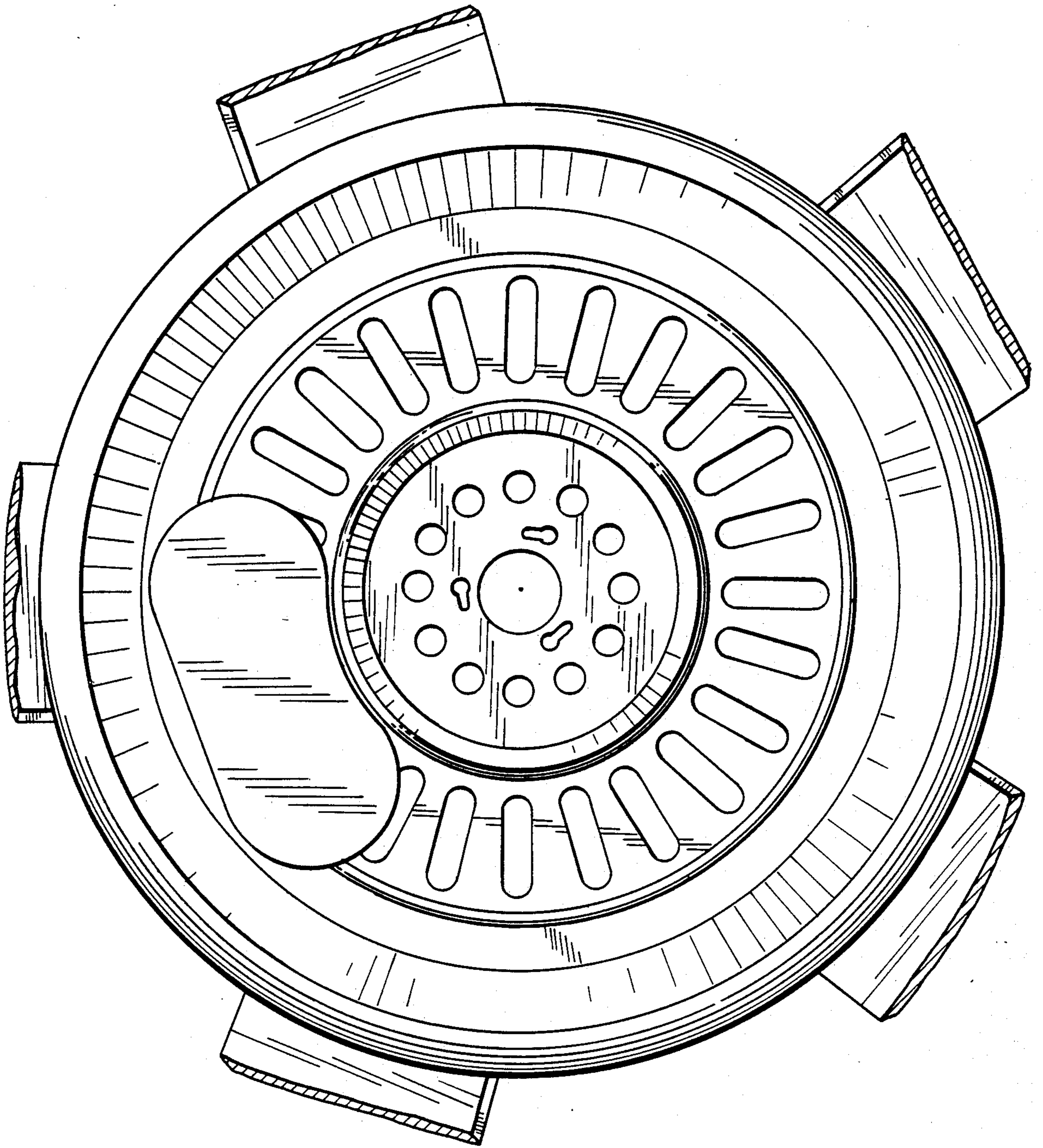


FIG. 5

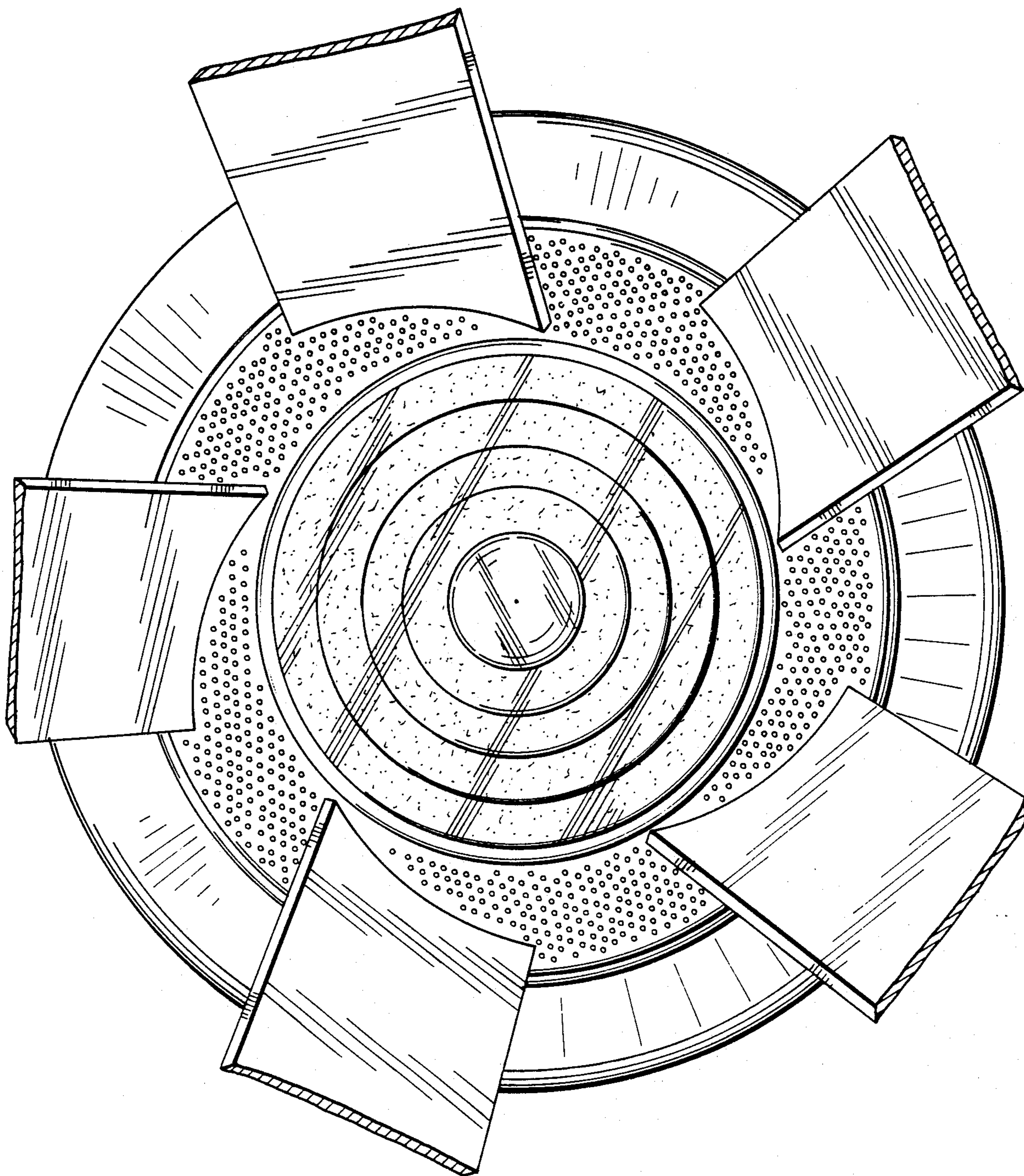


FIG. 6

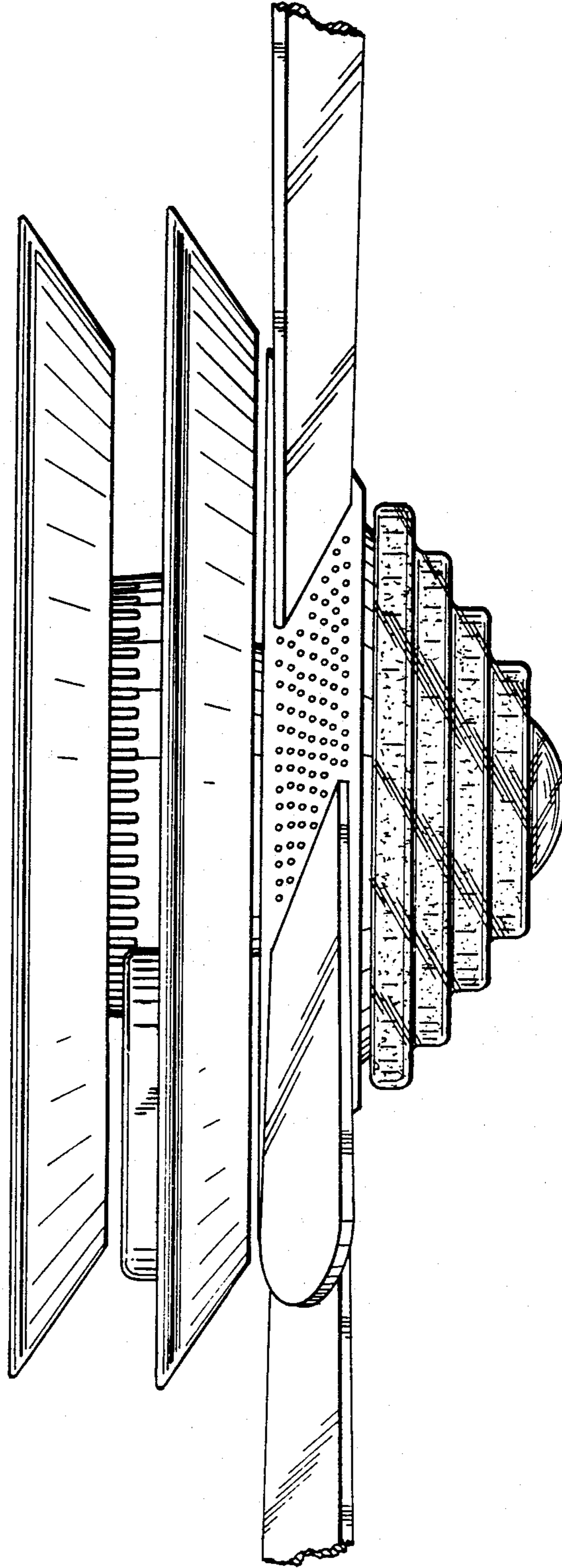


FIG. 7

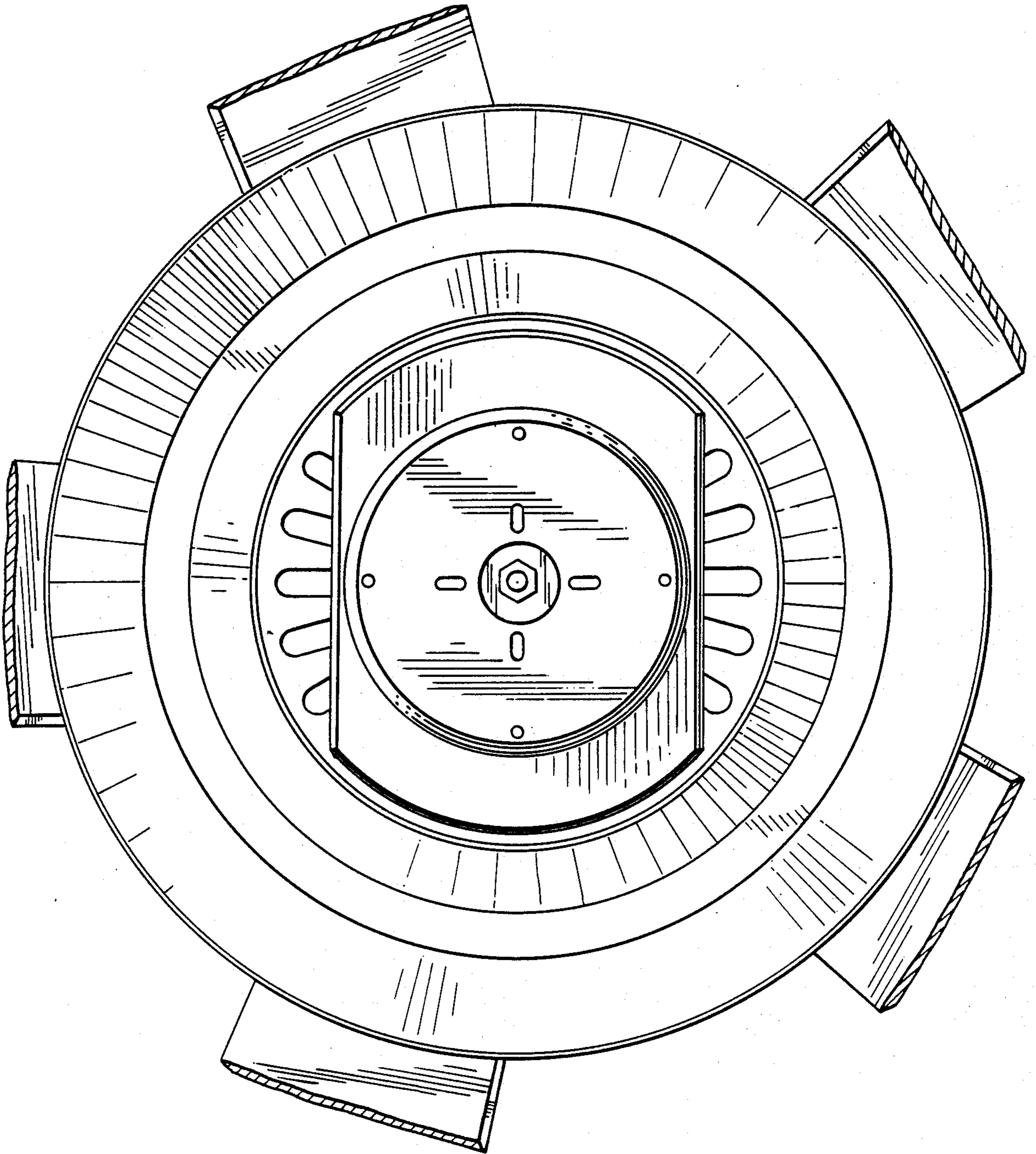


FIG. 8