

[54] **ELECTRIC STORAGE HEATER**

[75] **Inventor: Maurice H. Diamond, Armagh, Northern Ireland**

[73] **Assignee: Unidare Engineering Limited, Armagh, Northern Ireland**

[**] **Term: 14 Years**

[21] **Appl. No.: 98,876**

[22] **Filed: Sep. 21, 1987**

[30] **Foreign Application Priority Data**

Mar. 24, 1987 [GB] United Kingdom 1041007
[52] **U.S. Cl. D23/330**
[58] **Field of Search D23/330, 332, 335, 336, D23/337, 314, 395, 317; 219/366, 365, 213, 378**

[56] **References Cited**

U.S. PATENT DOCUMENTS

D. 280,760	9/1985	Kogan	D23/332
3,356,828	12/1967	Furness	219/378
3,532,856	10/1970	Collins	219/378
3,884,295	5/1975	Laing et al.	219/378
4,311,898	1/1982	McMillan	219/378

FOREIGN PATENT DOCUMENTS

2803388 8/1978 Fed. Rep. of Germany 219/365

OTHER PUBLICATIONS

King Electric Heaters Catalogue, Mar. 1968, p. 6, Automatic with "Air-Guide Louvers", top right side of page.

Primary Examiner—James M. Gandy

Assistant Examiner—Lisa Lichtenstein

Attorney, Agent, or Firm—Young & Thompson

[57] **CLAIM**

The ornamental design for an electric storage heater, as shown and described.

DESCRIPTION

FIG. 1 is a front elevation view of the electric storage heater;

FIG. 2 is a perspective view of the front and one side thereof;

FIG. 3 is a rear elevation view thereof; and

FIG. 4 is an enlarged perspective view of the front and opposite side thereof, with the top control cover raised and in open condition, it being understood that the heater has been broken away in the middle for convenience of illustration.

The bottom of the electric storage heater is flat and unornamented.

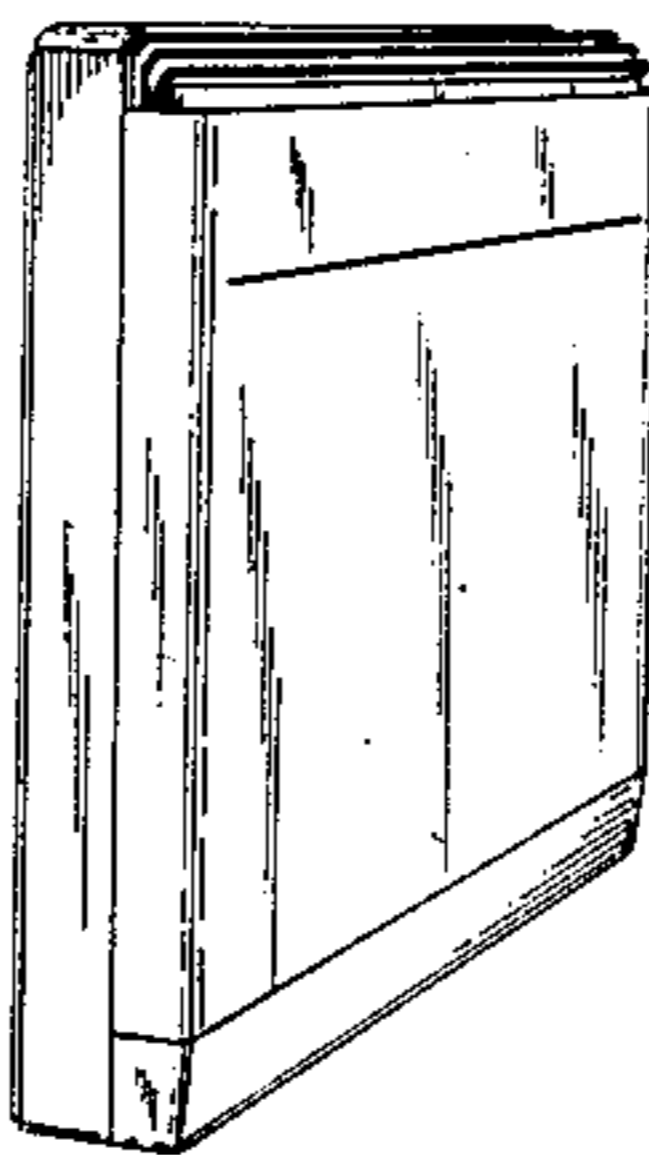
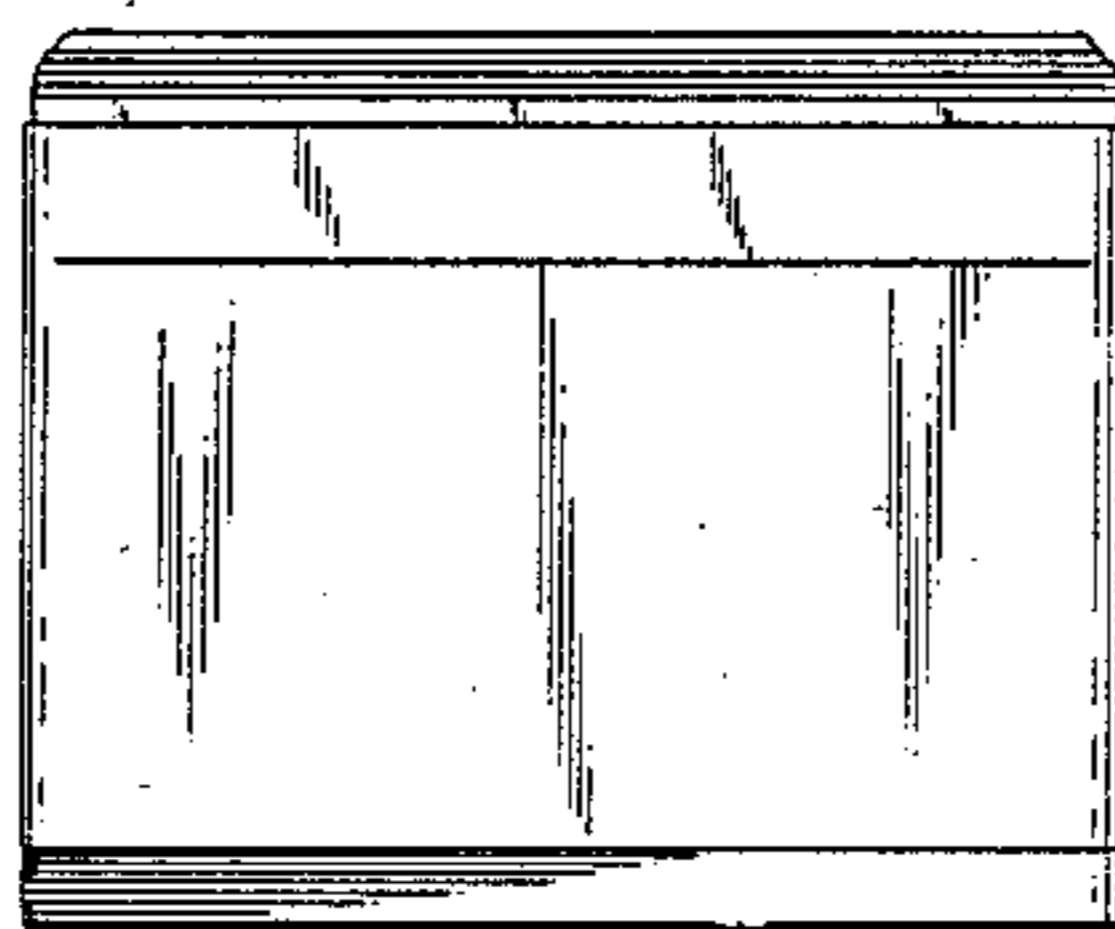


FIG. 1

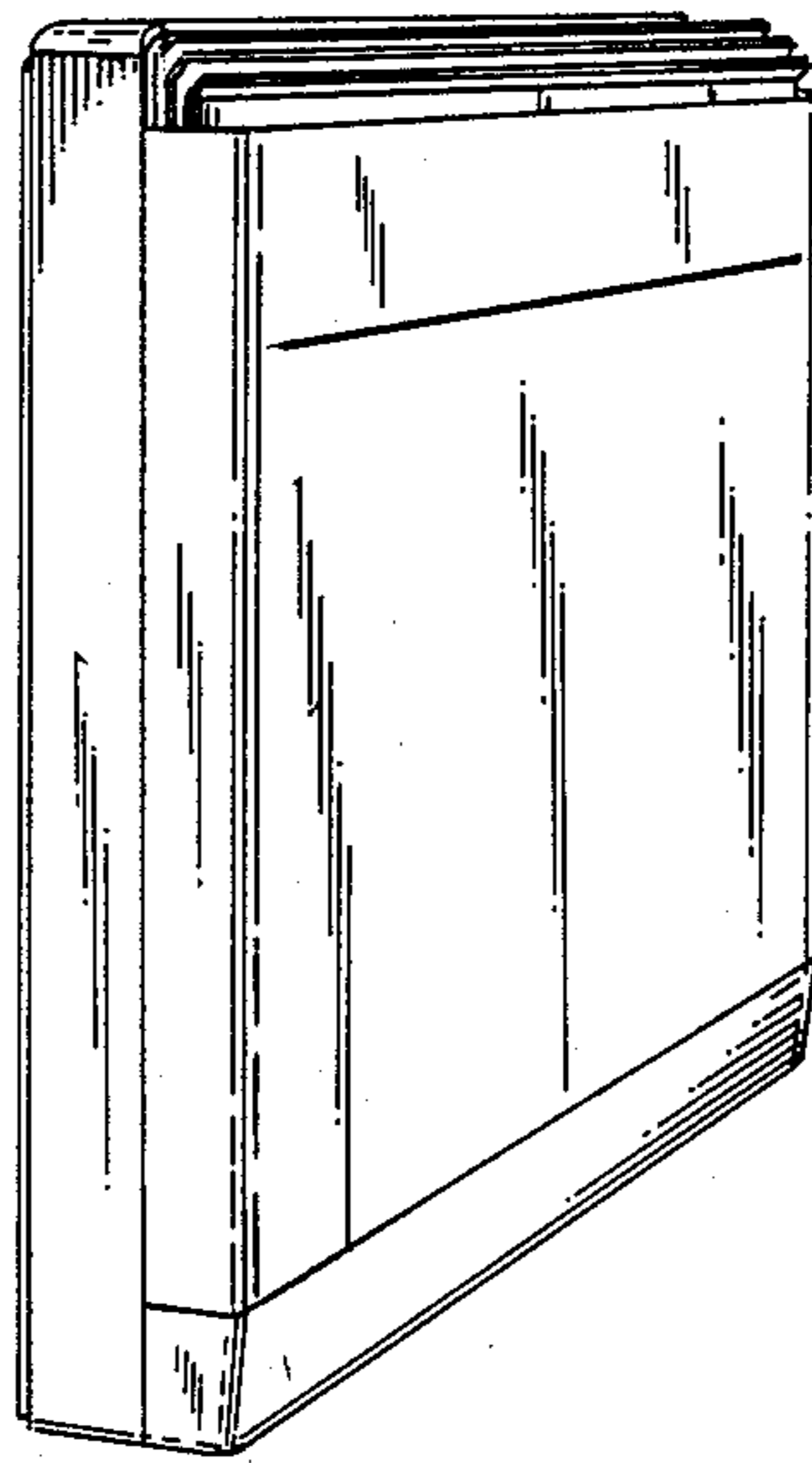
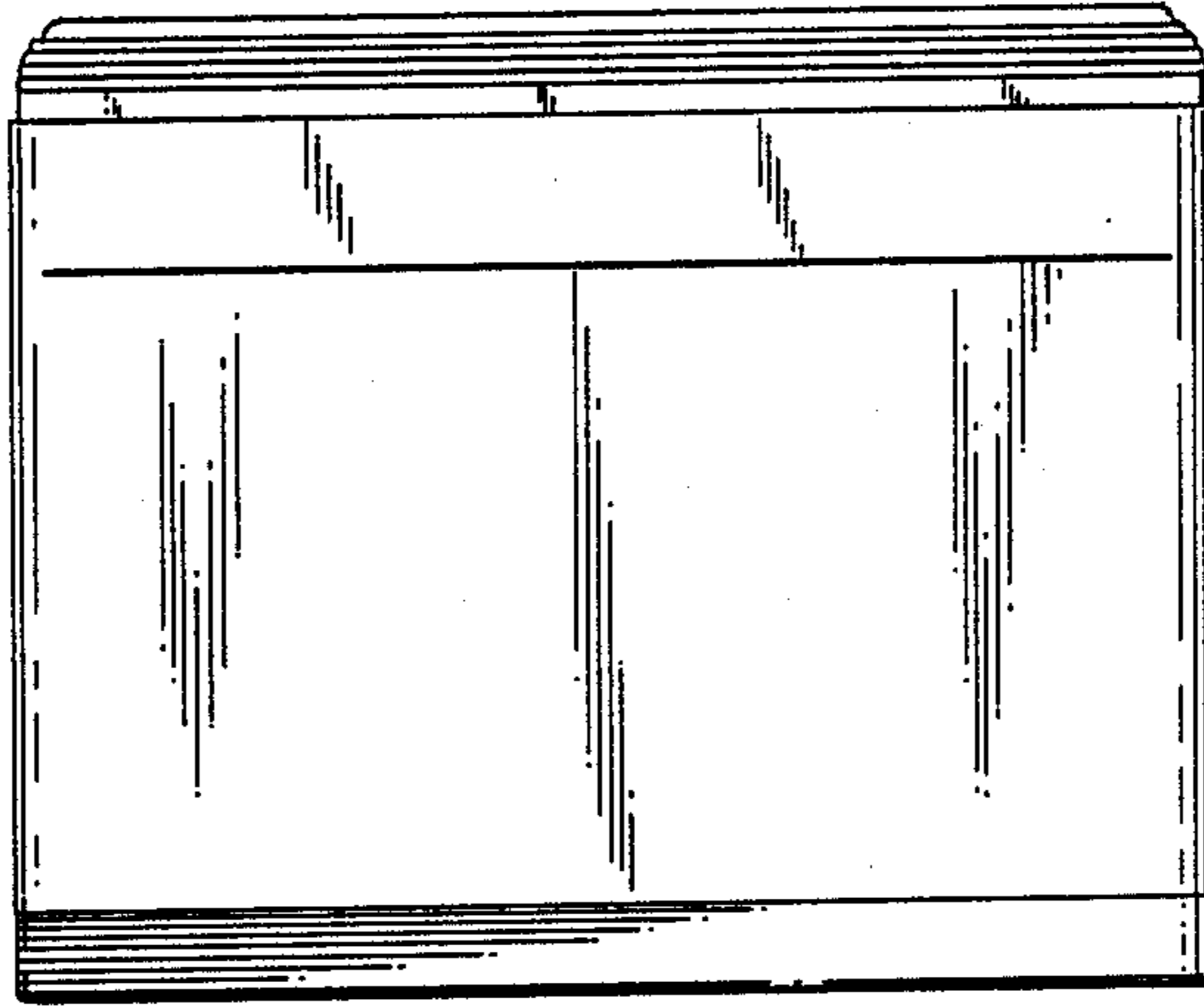


FIG. 2

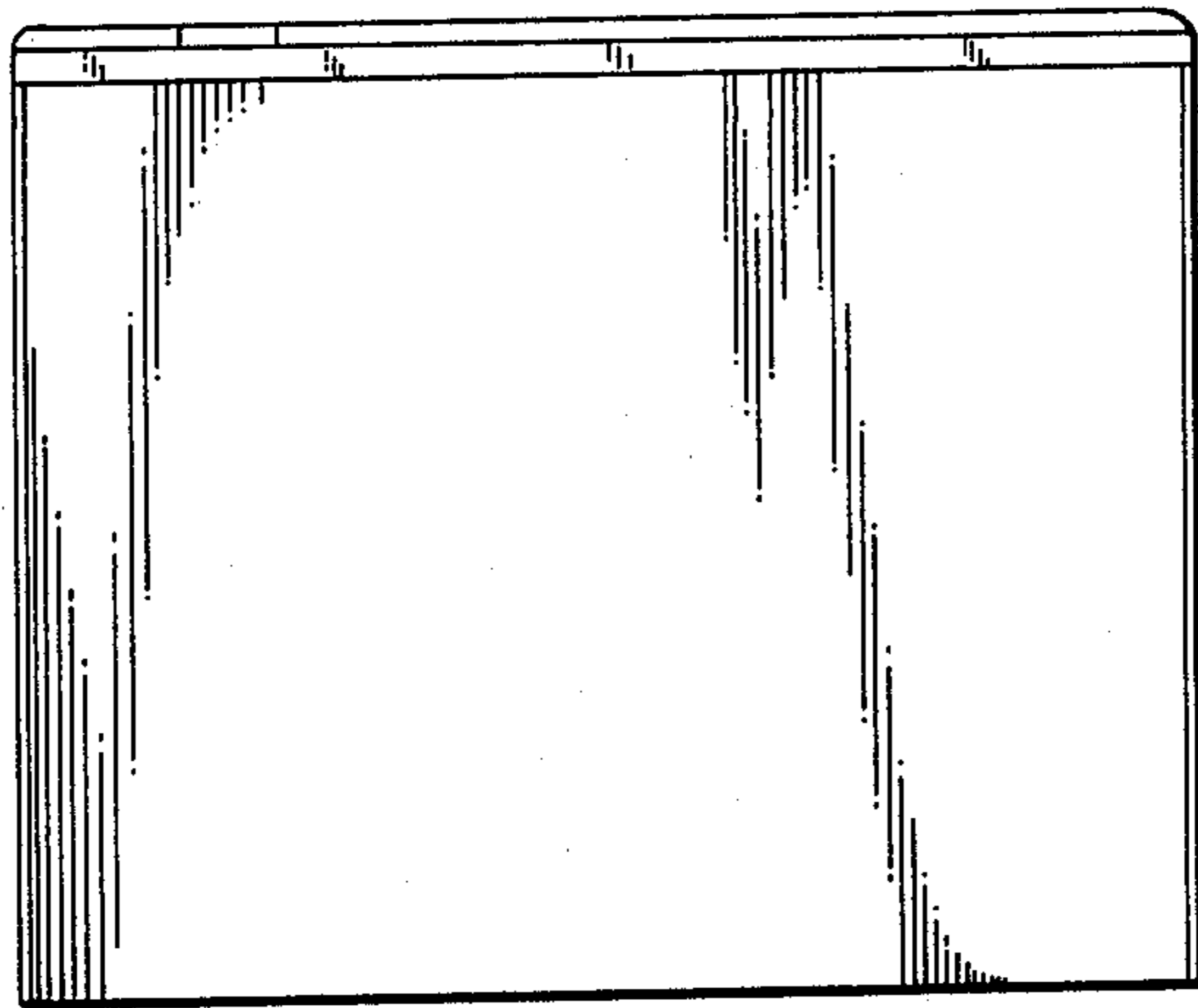


FIG. 3

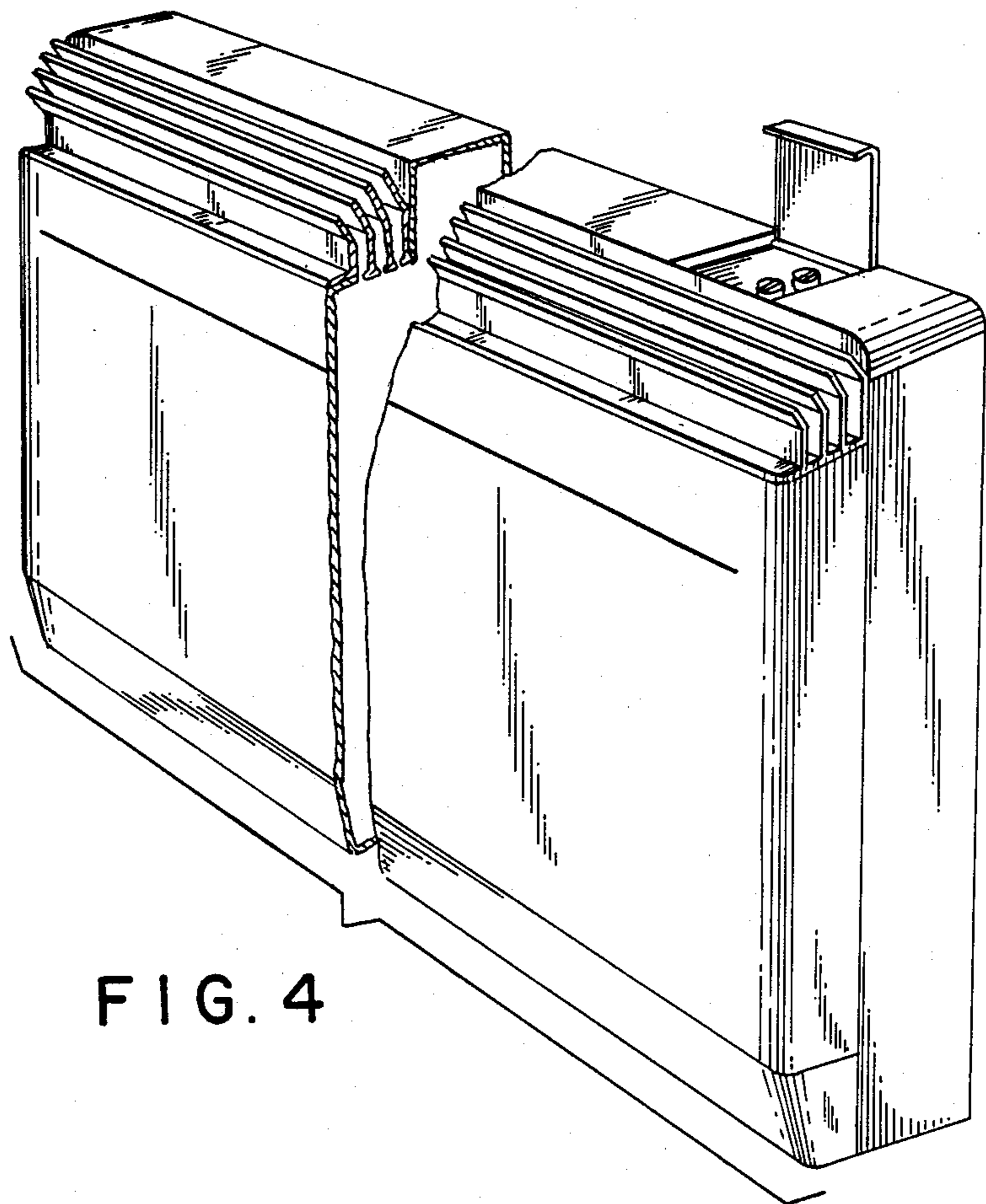


FIG. 4