

[54] **SPRAY GUN**  
[75] **Inventor: Fredrick M. Morgan, Toledo, Ohio**  
[73] **Assignee: The DeVilbiss Company, Toledo, Ohio**  
[\*\*] **Term: 14 Years**  
[21] **Appl. No.: 116,134**  
[22] **Filed: Oct. 30, 1987**  
[52] **U.S. Cl. .... D23/226**  
[58] **Field of Search ..... D23/213, 223, 224, 225, D23/226, 227; 239/527, 526, 531, 528, 290, 296, DIG. 14**

cial Purpose Catalogue, 1978, pp. 4 and 5, JGA, CGA, JGK, MBC, and TGA Spray Guns, tops of pp. 4 & 5. Spraying Systems Co., Bulletin 121, Oct. 1963, p. 2, 24A-9546 Gun Jet Spray Gun, bottom right of page, p. 3, 24A Gun Jet Spray Gun, top right side of page. DeVilbiss, Modern Plastics, Nov. '61, p. 248, New Simplified Spray Gun, top of page. Binks Manufacturing Co., Spray Painting Equipment for Refinishing Catalogue RF-1, Jun. '67, p. 3, Binks Spray Guns, Model 29 and Model 26, top left and bottom left side of page.

*Primary Examiner*—James M. Gandy  
*Assistant Examiner*—Lisa Lichtenstein  
*Attorney, Agent, or Firm*—MacMillan, Sobanski & Todd

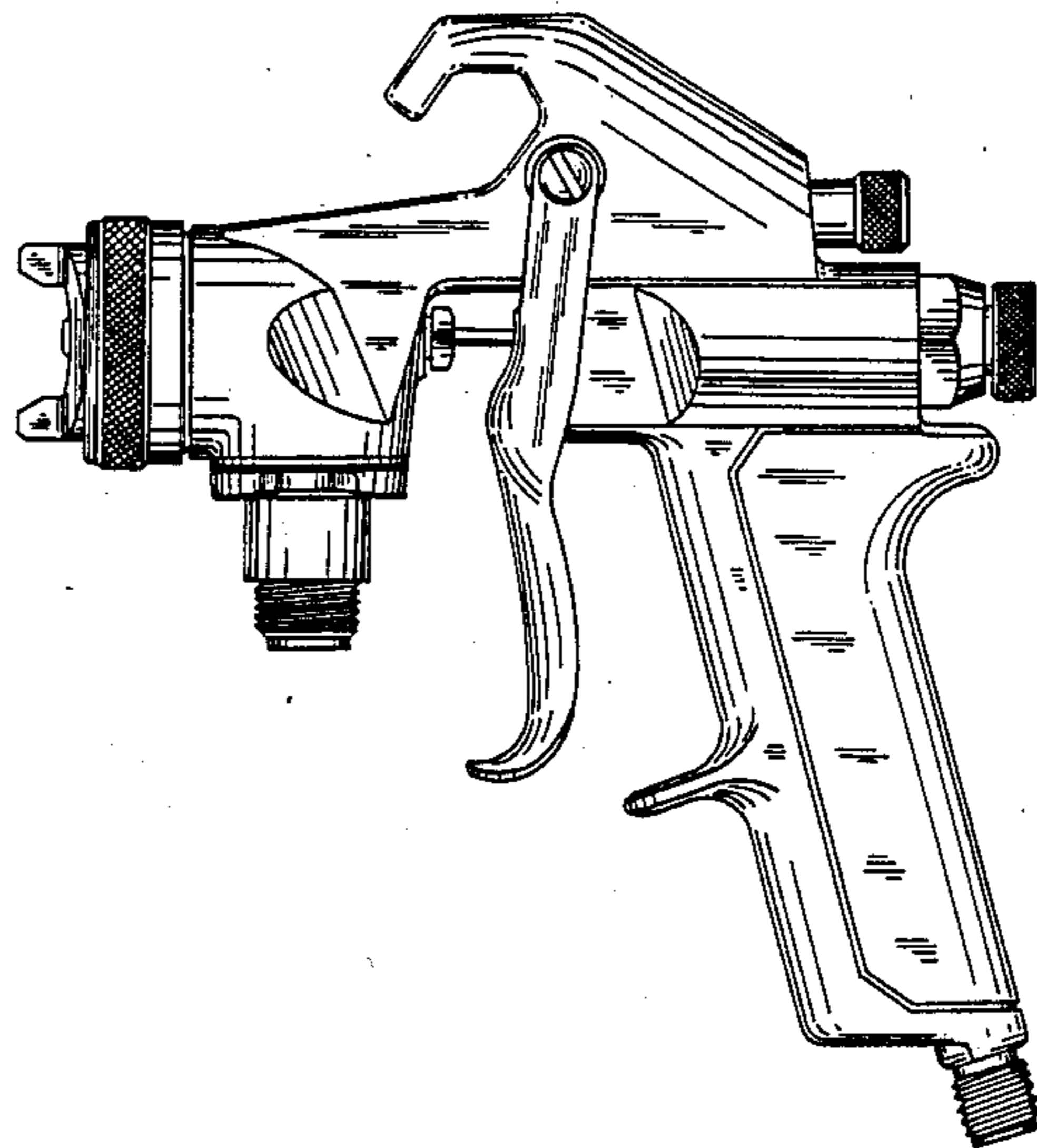
[56] **References Cited**  
**U.S. PATENT DOCUMENTS**

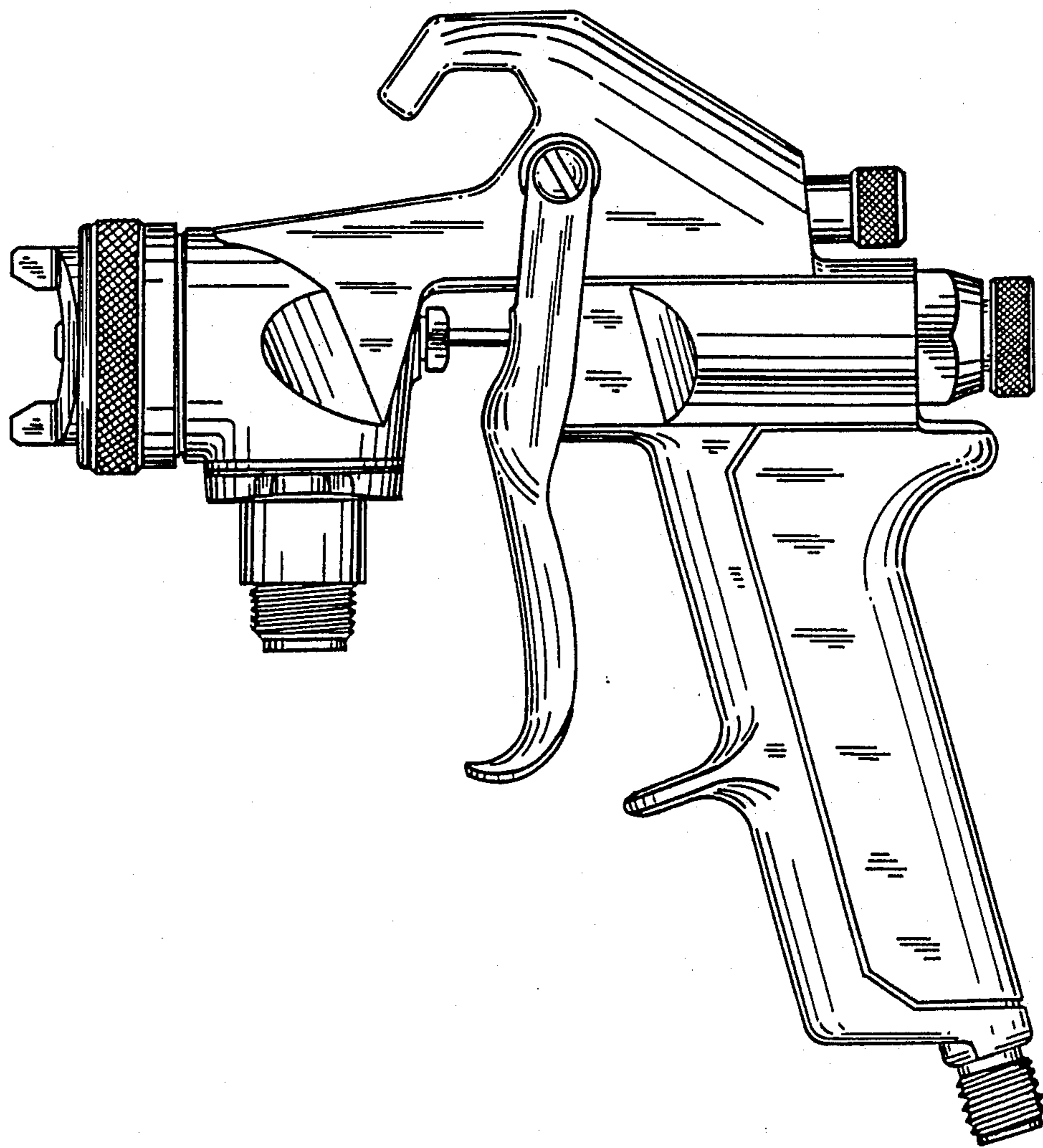
D. 287,266	12/1986	Knetl et al. ....	D23/226
3,515,355	6/1970	Wagner .....	239/526
3,780,953	12/1973	Malec .....	239/526
3,865,314	2/1975	Levey et al. ....	239/526
4,426,039	1/1984	Kwok .....	239/528

**OTHER PUBLICATIONS**  
DeVilbiss, New Equipment Digest, May 1986, Advertisement, DeVilbiss JGAA Air Assist/Airless Spray Gun, top of page.  
DeVilbiss, Air Spray Guns—Manual, Automatic, Spe-

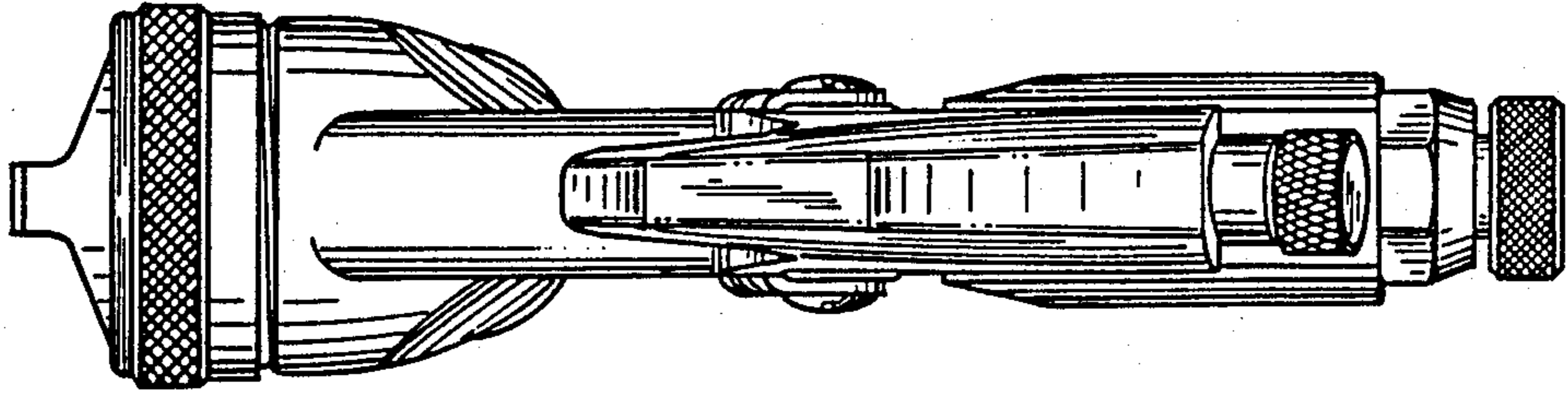
[57] **CLAIM**  
The ornamental design for a spray gun, as shown and described.

**DESCRIPTION**  
FIG. 1 is an front side elevational view of a spray gun showing my new design, with the rear side being a mirror image thereof;  
FIG. 2 is a top plan view thereof;  
FIG. 3 is a left side elevational view thereof;  
FIG. 4 is a right side elevational view thereof; and  
FIG. 5 is a bottom plan view thereof.

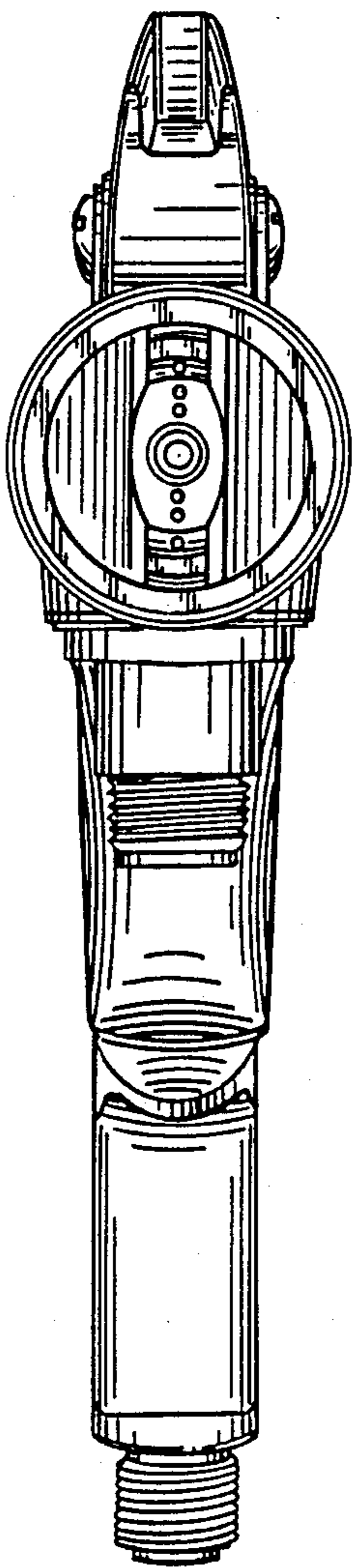




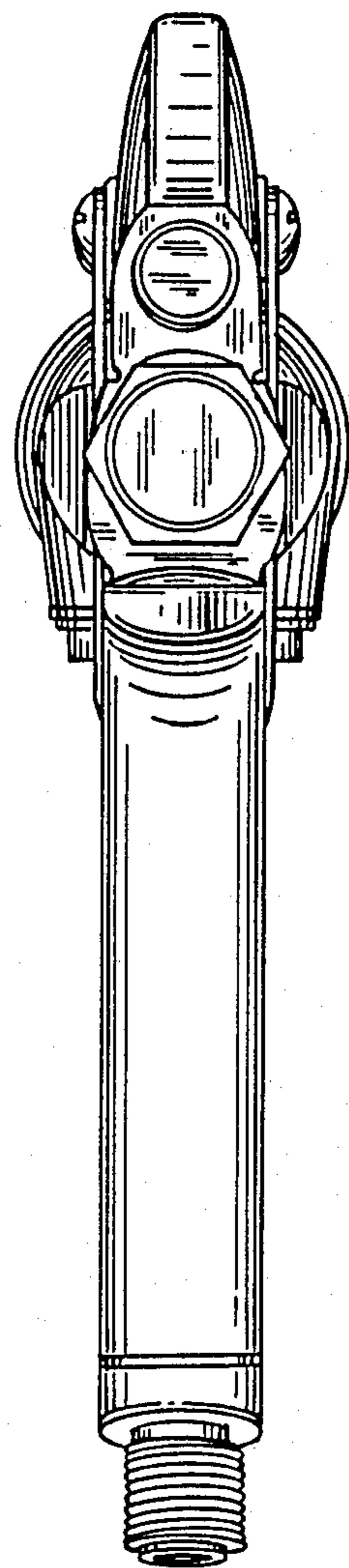
— FIG. 1



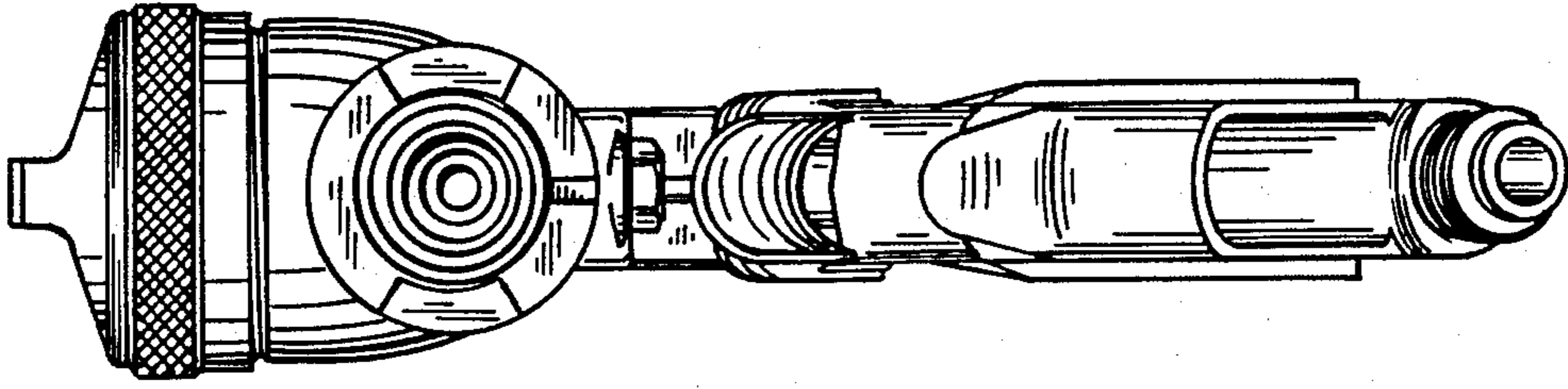
—FIG. 2



—FIG. 3



—FIG. 4



—FIG.5