

[54] RECONFIGURABLE TOY PUMA

[75] Inventor: Takayoshi Doi, Ichikawa, Japan

[73] Assignee: Takara Co., Inc., Tokyo, Japan

[**] Term: 14 Years

[21] Appl. No.: 943,918

[22] Filed: Dec. 17, 1986

[30] Foreign Application Priority Data

Oct. 17, 1986 [JP] Japan 61-41439

[52] U.S. Cl. D21/163; D21/150

[58] Field of Search D21/148, 150, 163, 166; 446/376, 487, 97-100, 71-76

[56] References Cited

U.S. PATENT DOCUMENTS

D. 298,559 11/1988 Kitamura D21/163

D. 298,561 11/1988 Kitamura D21/163

Primary Examiner—Melvin B. Feifer

Attorney, Agent, or Firm—Price, Gess & Ubell

[57] CLAIM

The ornamental design for a reconfigurable toy puma, as shown and described.

DESCRIPTION

FIG. 1 is a front perspective view of a reconfigurable toy puma showing my new design; FIG. 2 is a front elevational view thereof; FIG. 3 is a right side elevational view thereof, the side opposite being a mirror image; FIG. 4 is a rear elevational view thereof; FIG. 5 is a top plan view thereof; FIG. 6 is a bottom plan view thereof; FIG. 7 is another front perspective view of the design shown in FIGS. 1 through 6 in a humanoid robot configuration; FIG. 8 is a front elevational view thereof; FIG. 9 is a right side elevational view thereof, the side opposite being a mirror image; FIG. 10 is a rear elevational view thereof; FIG. 11 is a top plan view thereof; and FIG. 12 is a bottom plan view thereof.

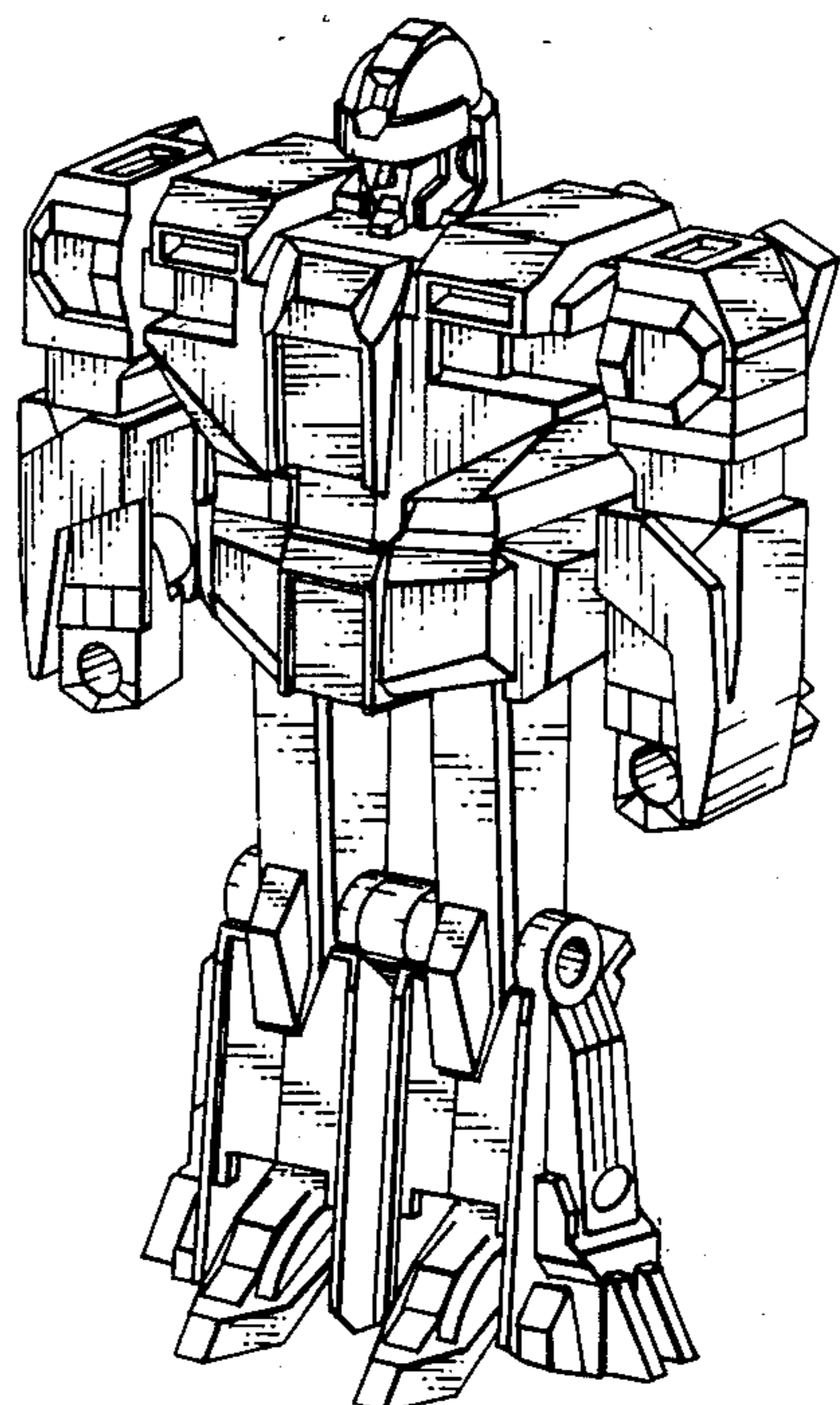
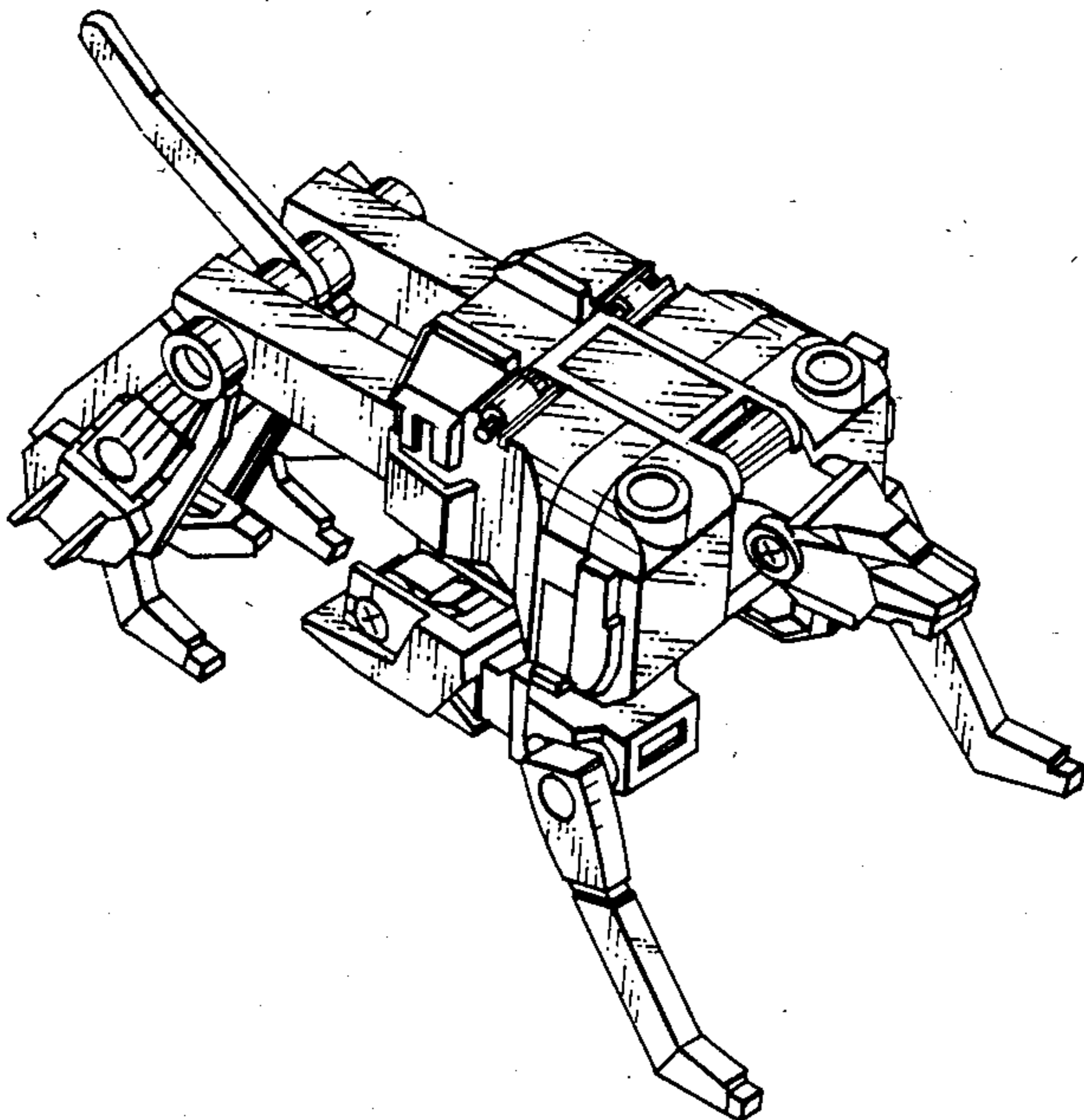


FIG. 2

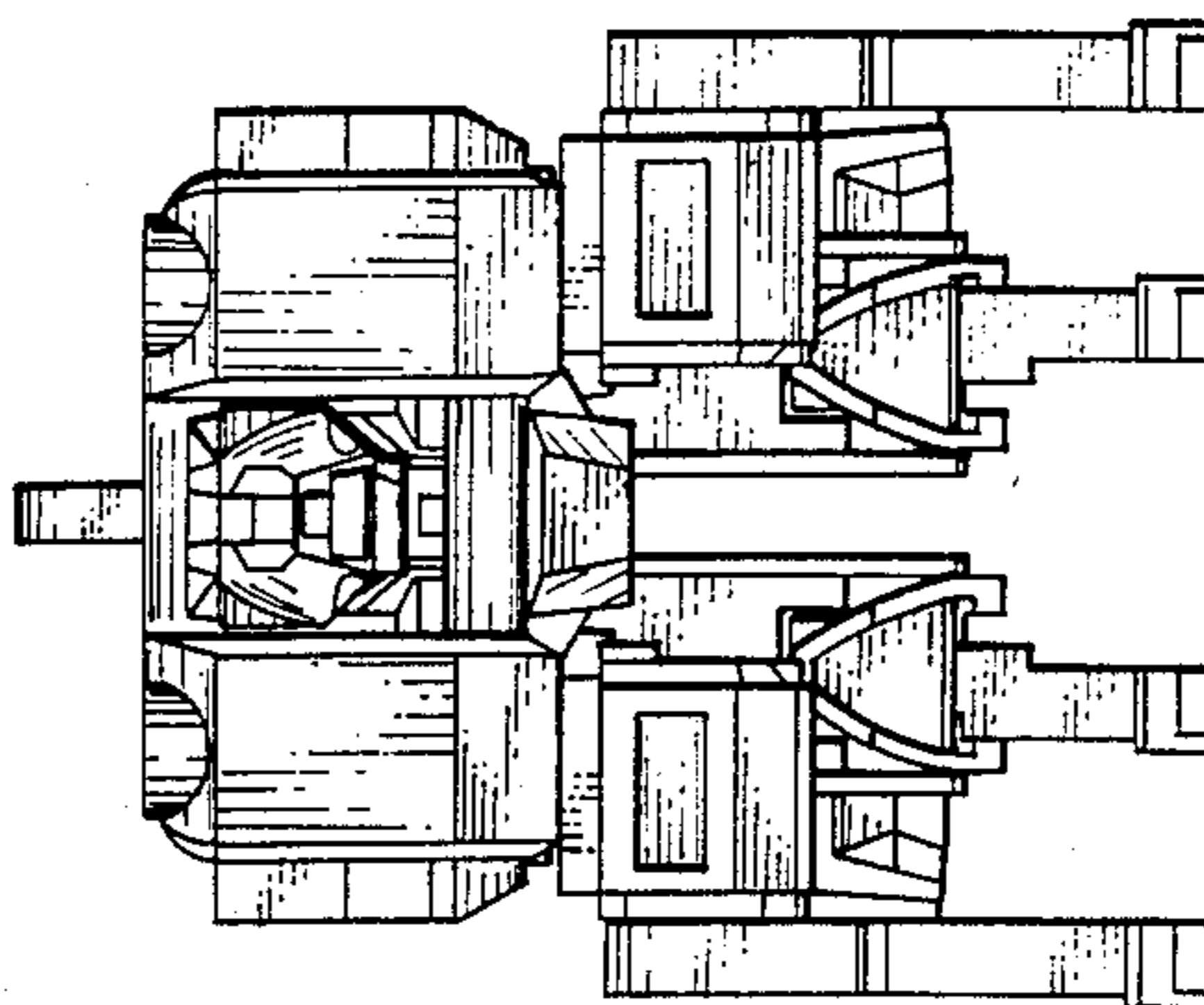


FIG. 1

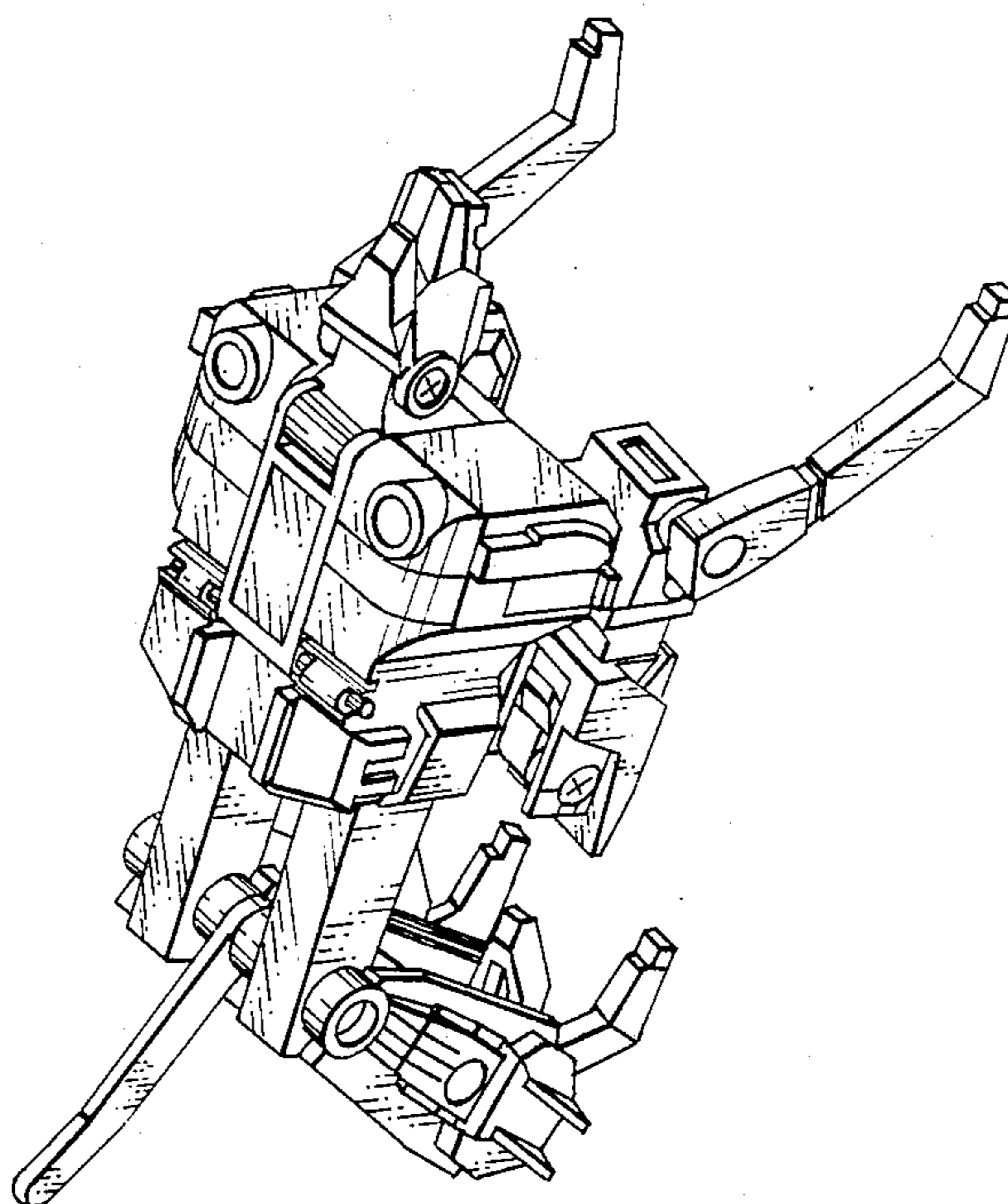


FIG. 4

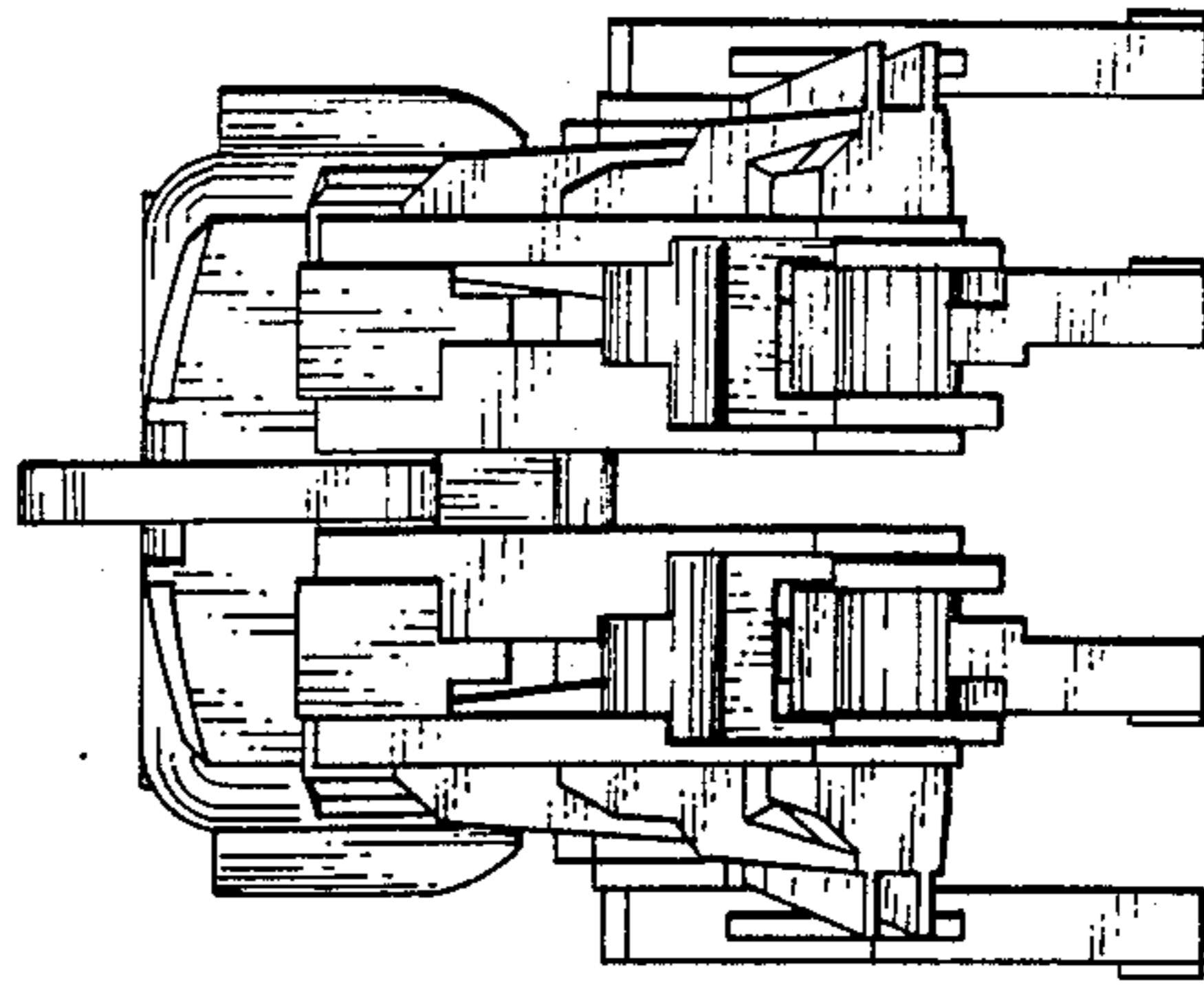
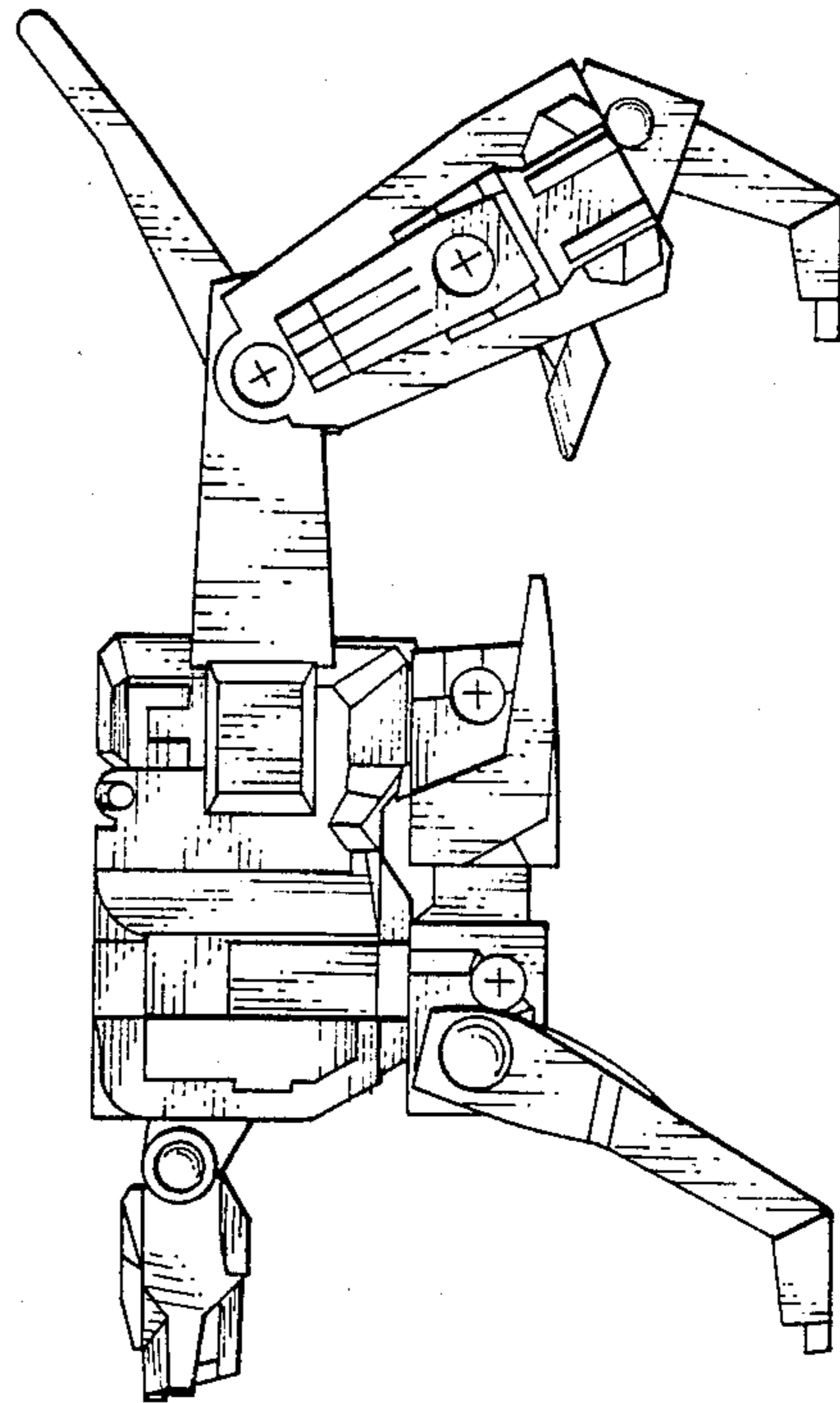


FIG. 3



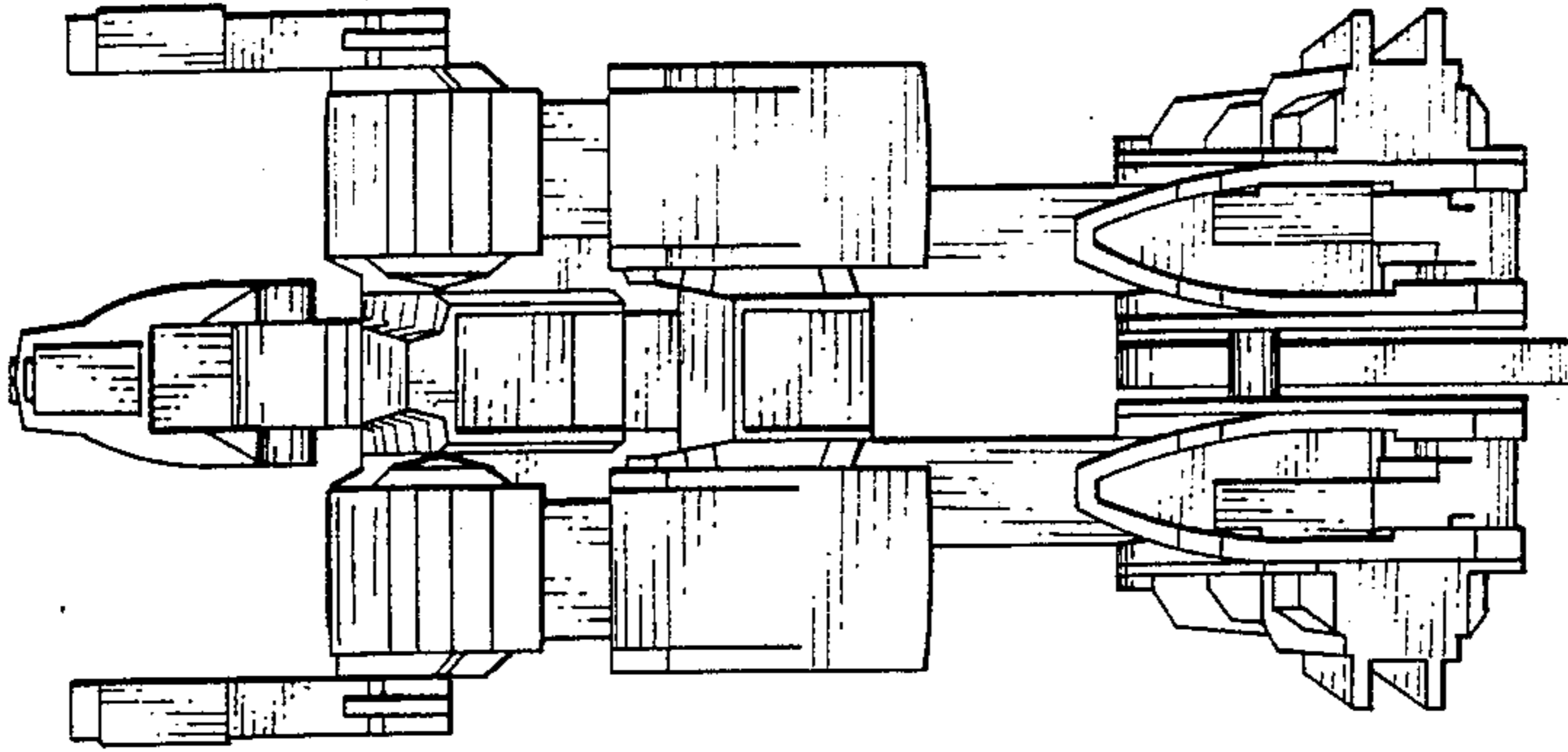


FIG. 6

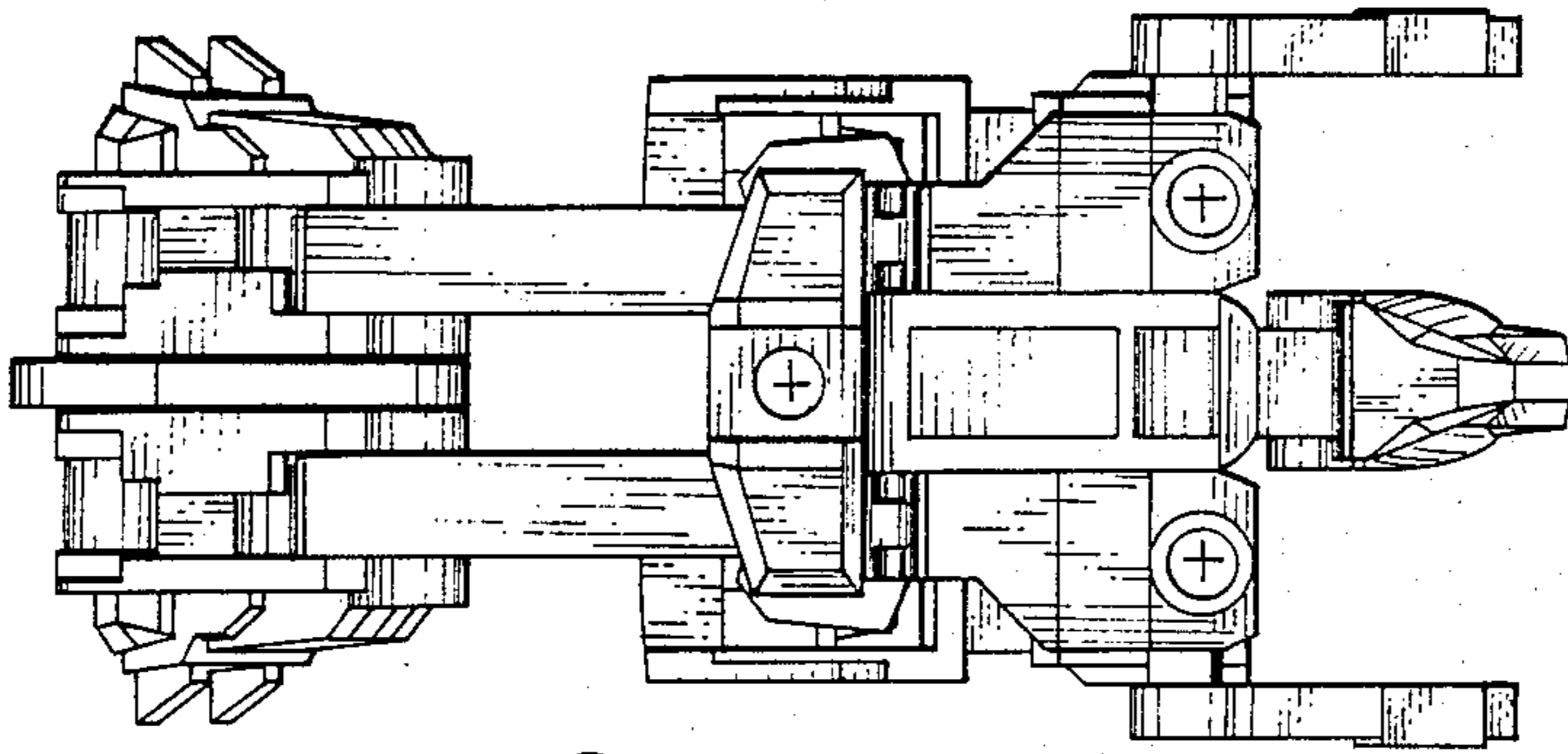


FIG. 5

FIG. 7

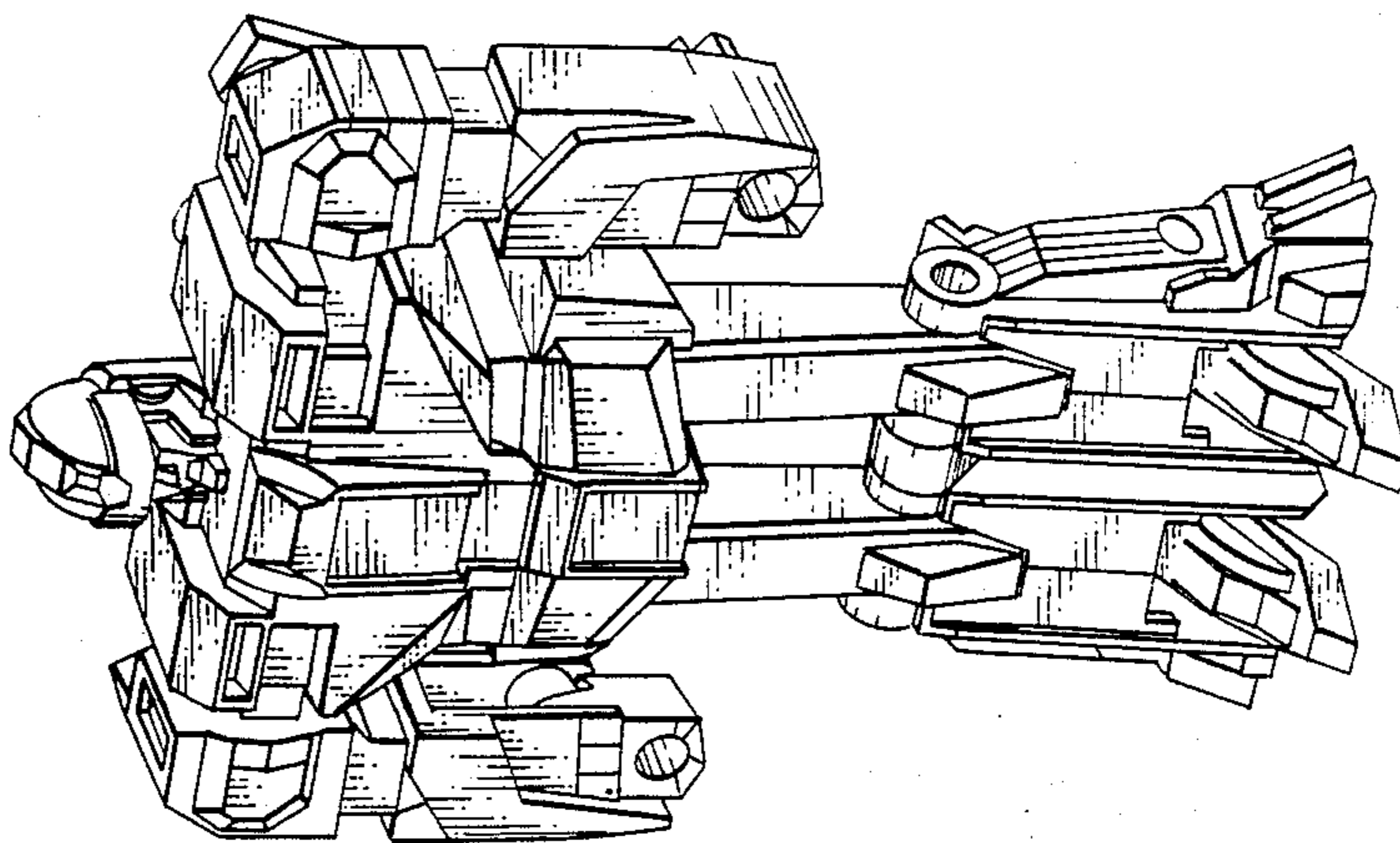


FIG. 8

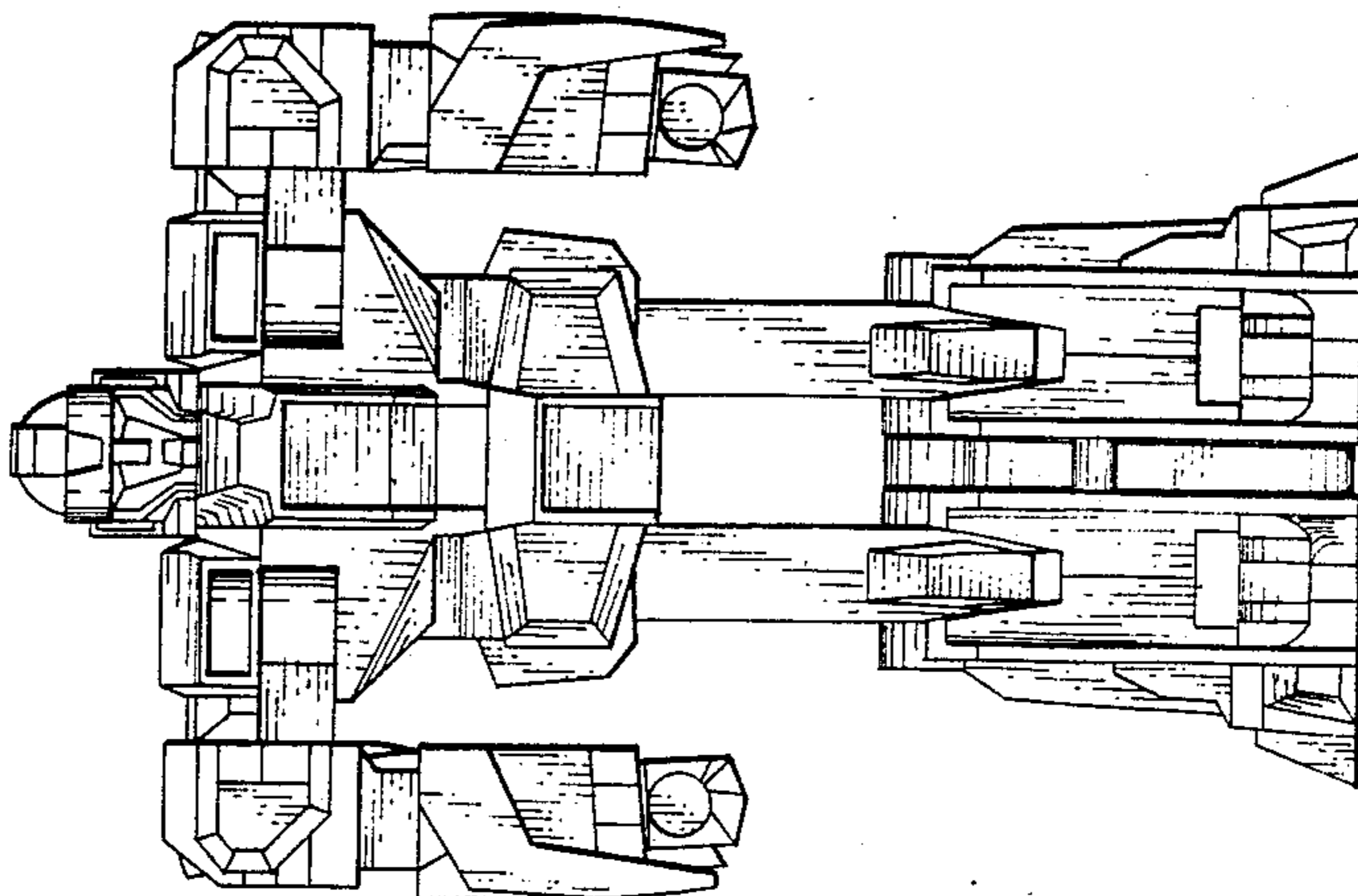
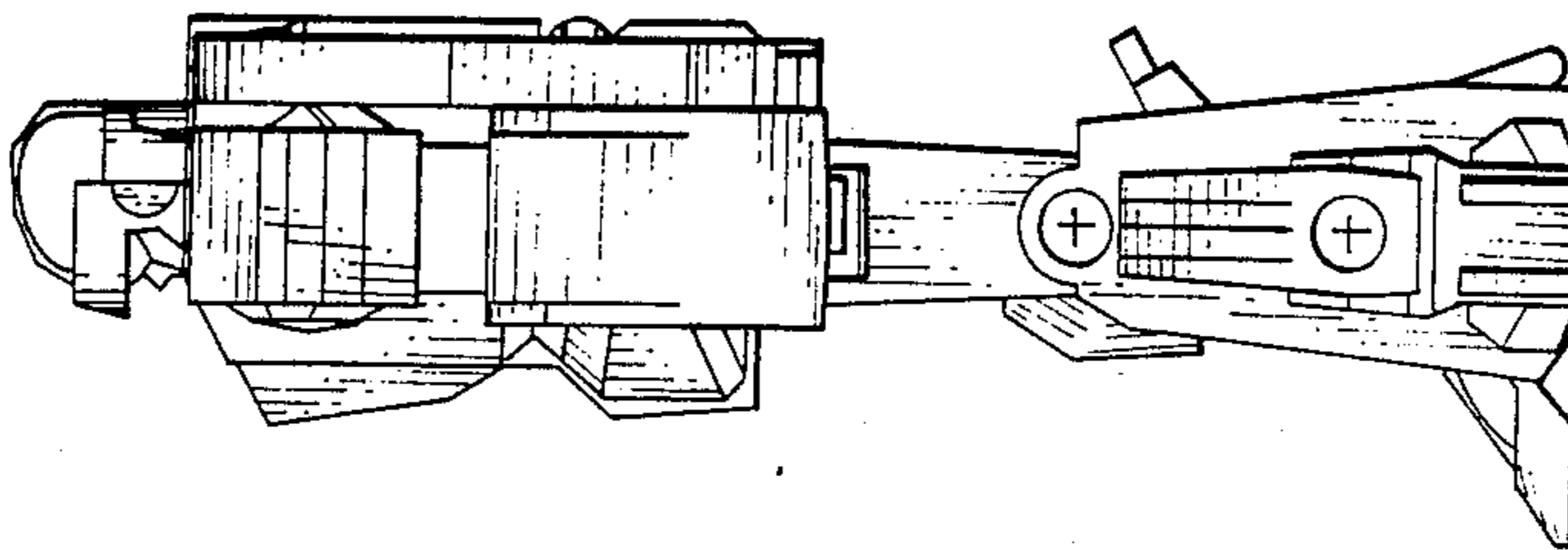


FIG. 9



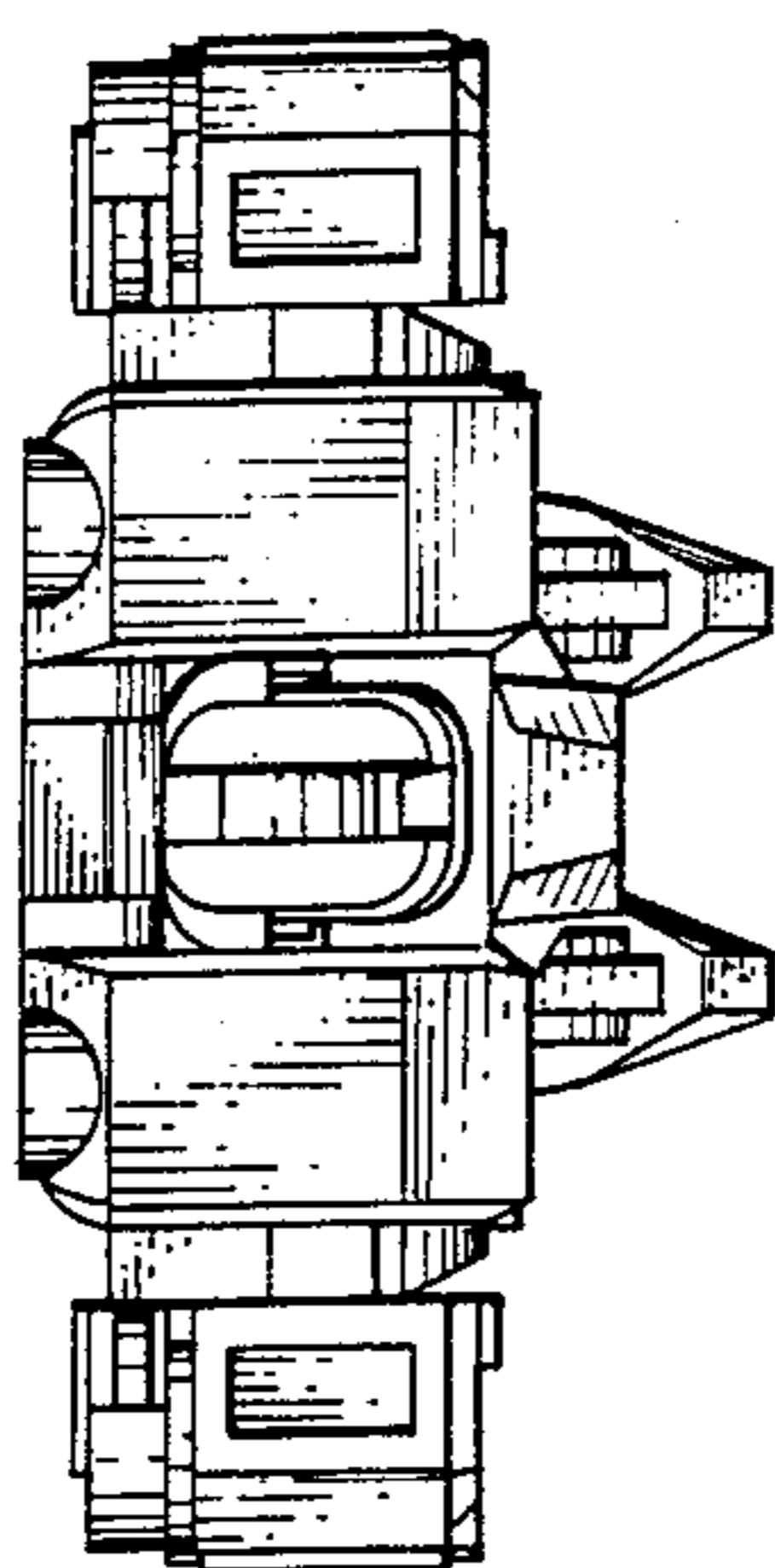


FIG.11

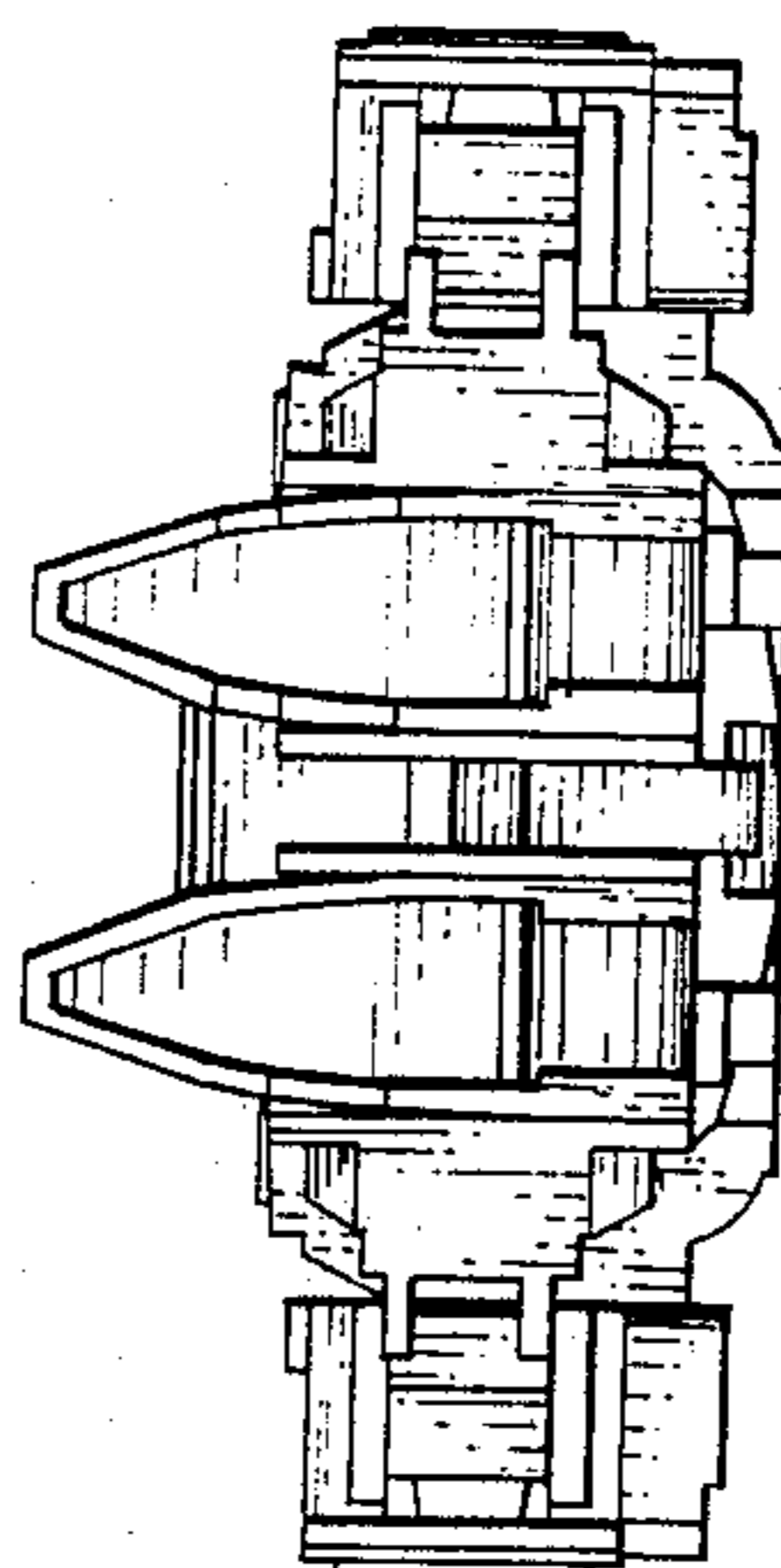


FIG.12

FIG.10

