

[54] TOY AIRPLANE COCKPIT

[75] Inventor: David E. Moomaw, East Aurora, N.Y.

[73] Assignee: The Quaker Oats Company, Chicago, Ill.

[**] Term: 14 Years

[21] Appl. No.: 102,090

[22] Filed: Sep. 29, 1987

[52] U.S. Cl. D21/142

[58] Field of Search D12/319; D21/71, 77, D21/82, 85, 87, 90, 142; 446/7, 26, 27, 28, 36, 88

[56] References Cited

U.S. PATENT DOCUMENTS

- D. 185,733 7/1959 Cagan et al. D21/77
- D. 189,484 12/1960 Ramniceanu D21/87

- D. 189,584 1/1961 Robbins et al. D21/142
- D. 233,621 11/1974 Campbell et al. D21/77
- D. 243,267 2/1977 Breneman et al. D21/132
- D. 258,302 2/1981 Murasaki D21/77
- D. 278,644 4/1985 Nakao et al. D21/142

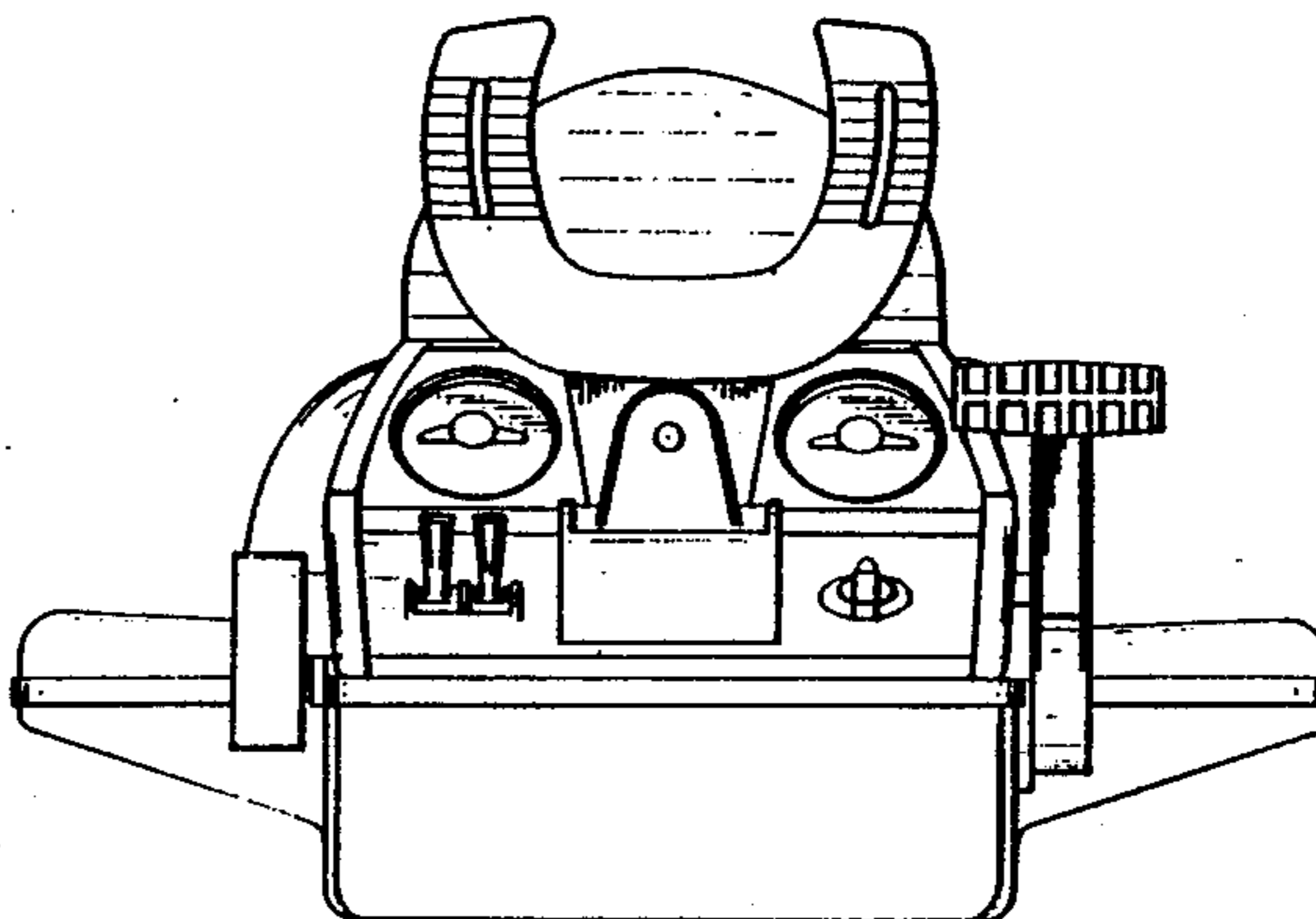
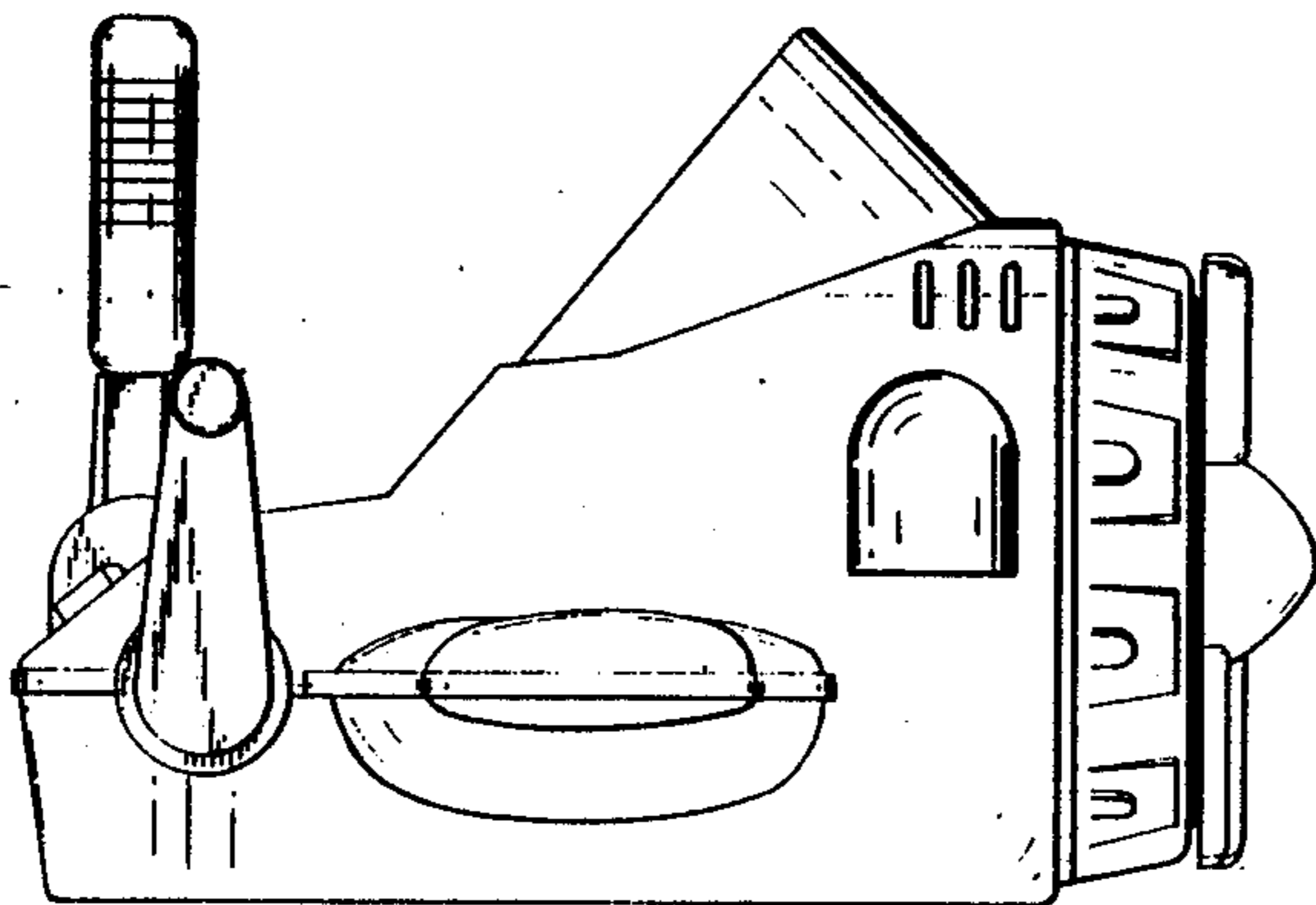
Primary Examiner—Charles A. Rademaker
Assistant Examiner—Alicia A. Farrell
Attorney, Agent, or Firm—Cumpston & Shaw

[57] CLAIM

The ornamental design for a toy airplane cockpit, as shown and described.

DESCRIPTION

FIG. 1 is a right-side elevational view a toy airplane cockpit showing my new design;
FIG. 2 is a front-elevational view thereof;
FIG. 3 is a rear elevational view thereof;
FIG. 4 is a left-side elevational view thereof; and
FIG. 5 is a top plan view thereof;
FIG. 6 is a bottom plain thereof.



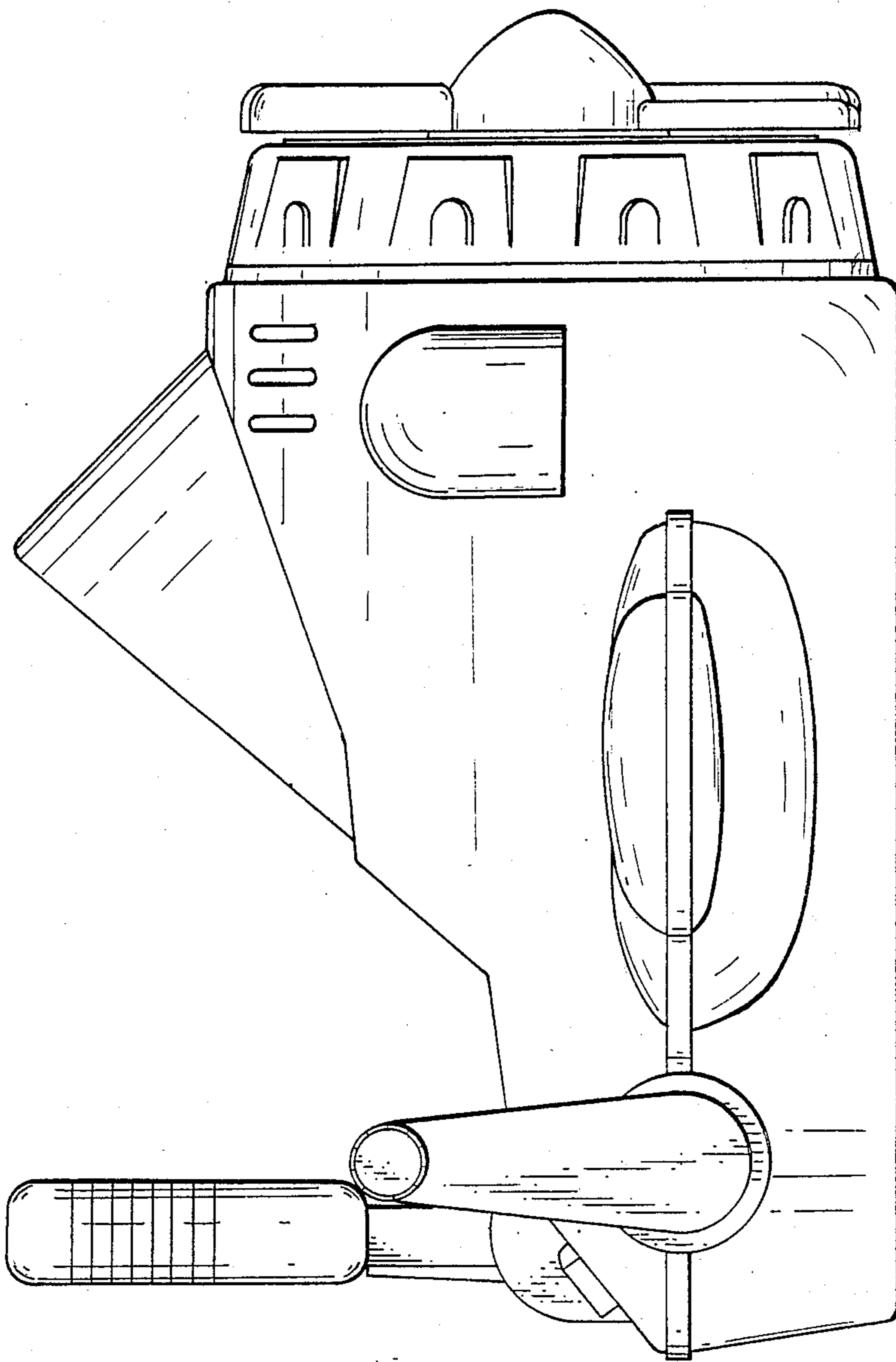


FIG. 1

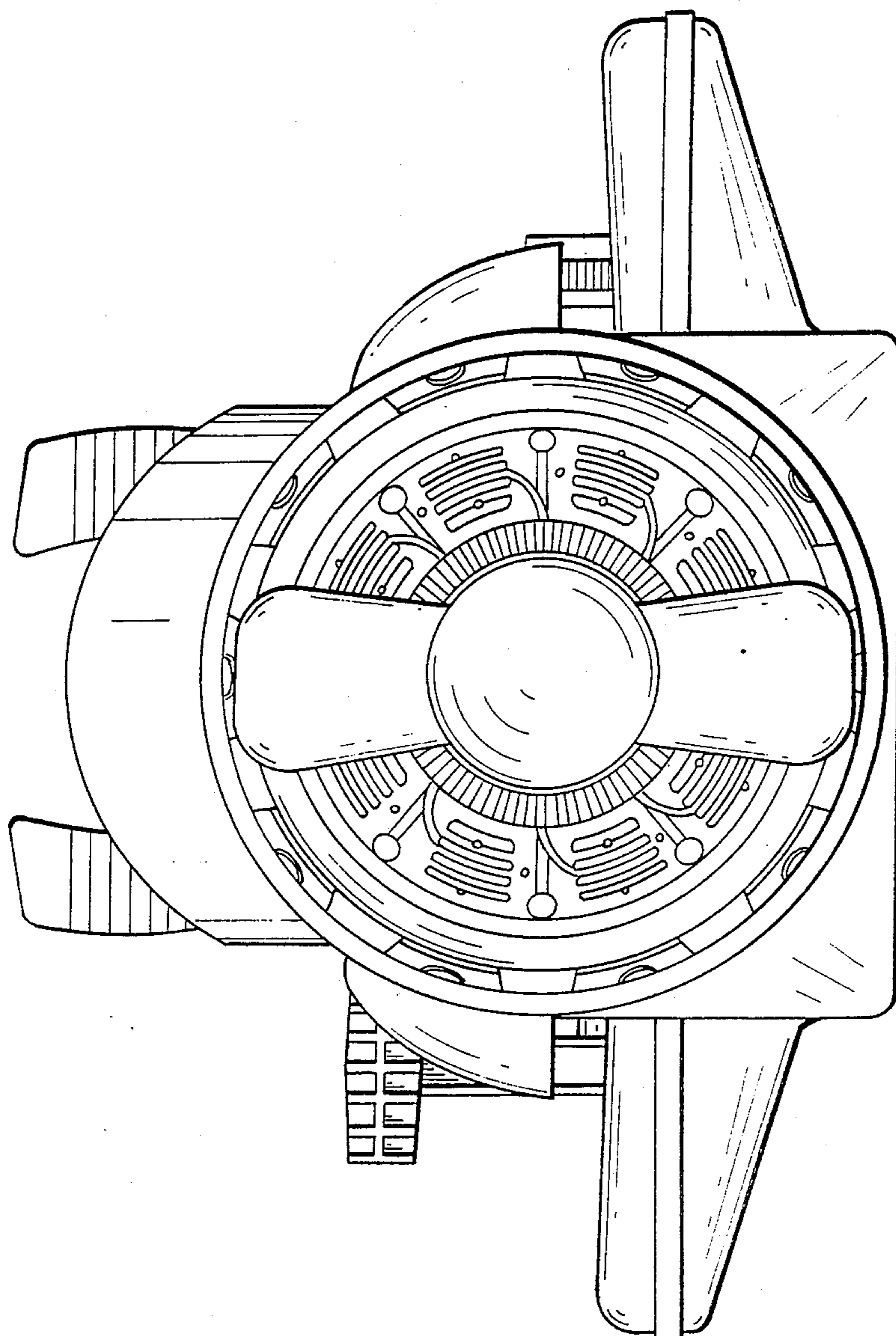


FIG. 2

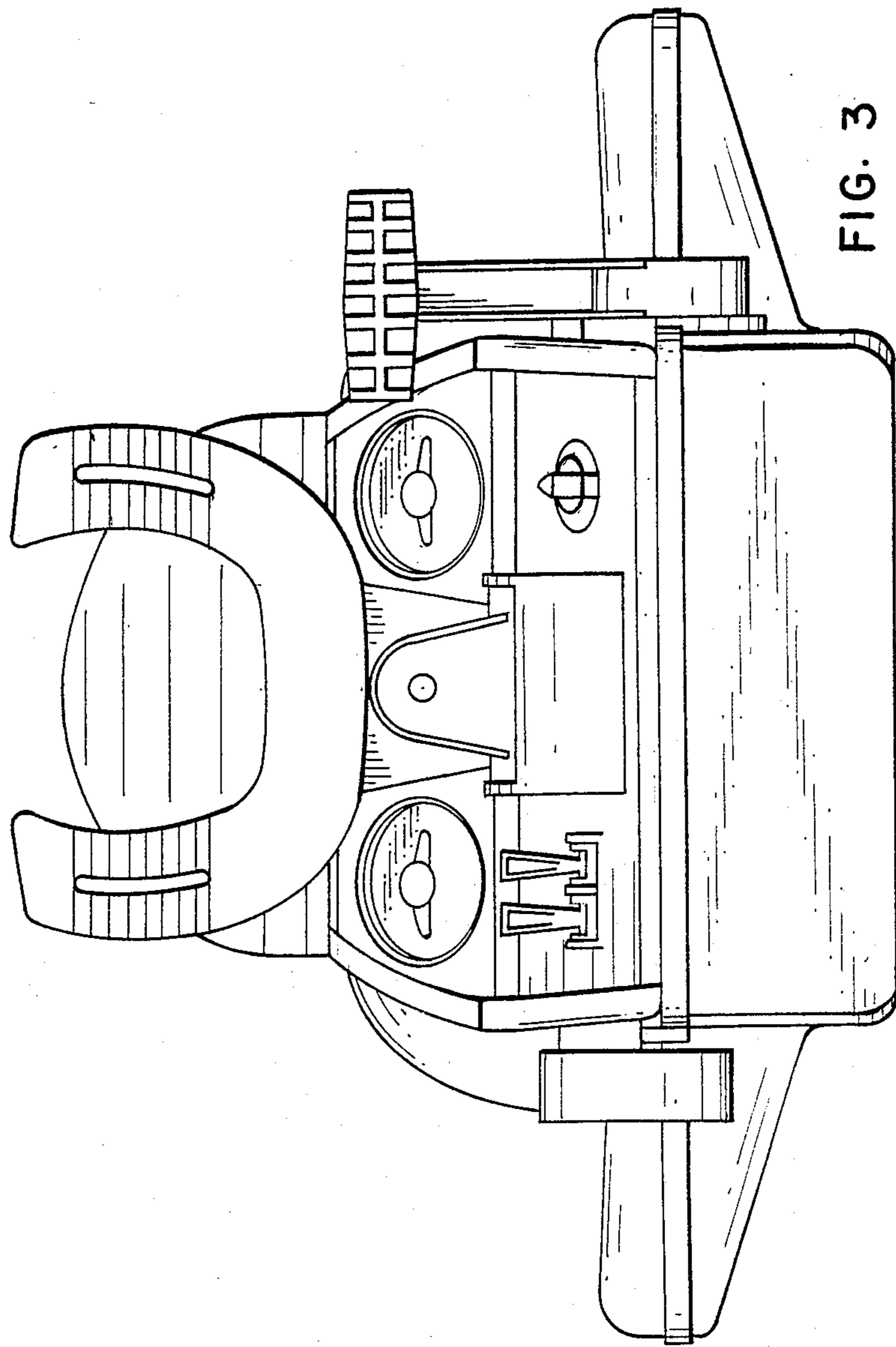


FIG. 3

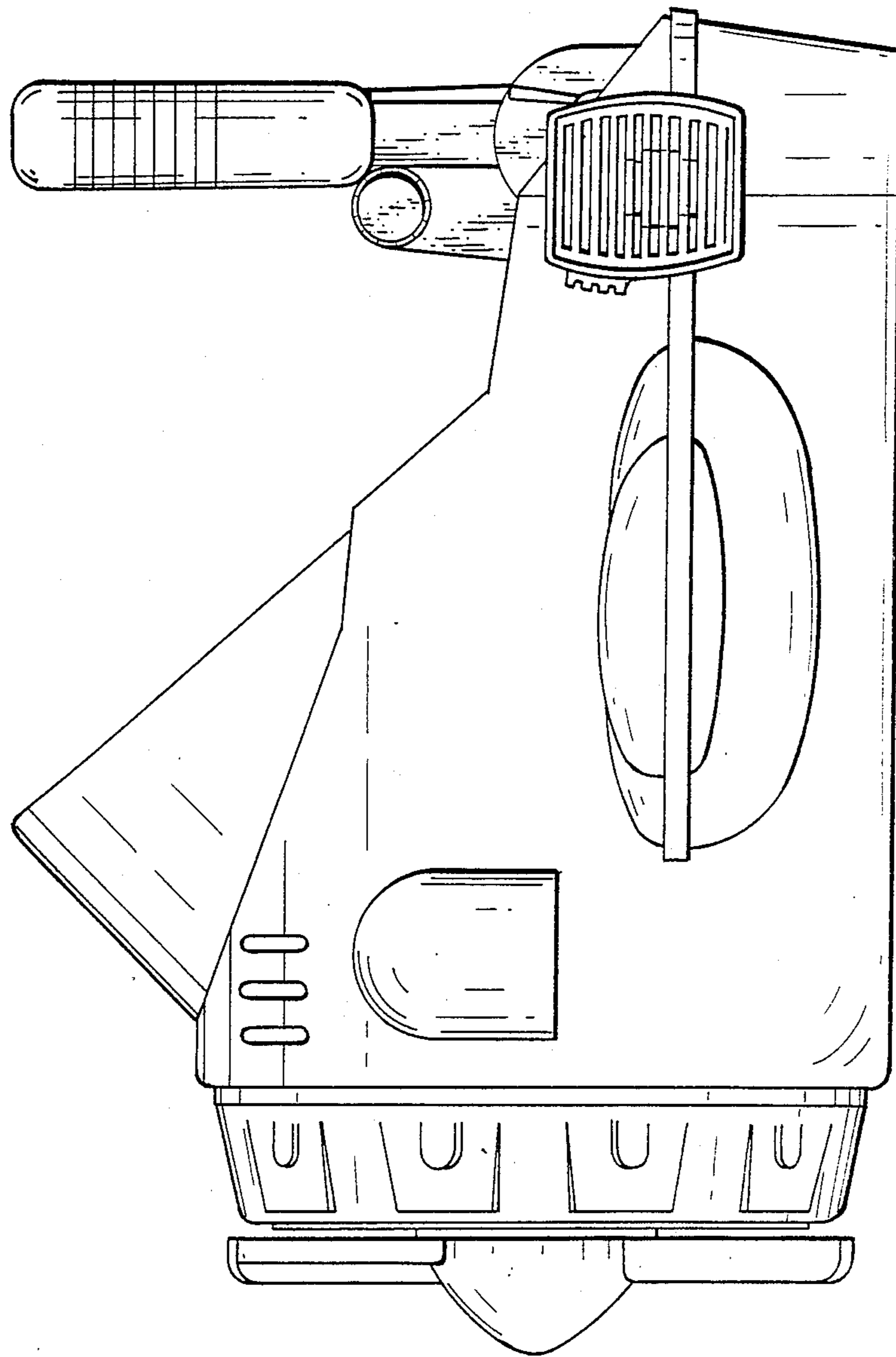


FIG. 4

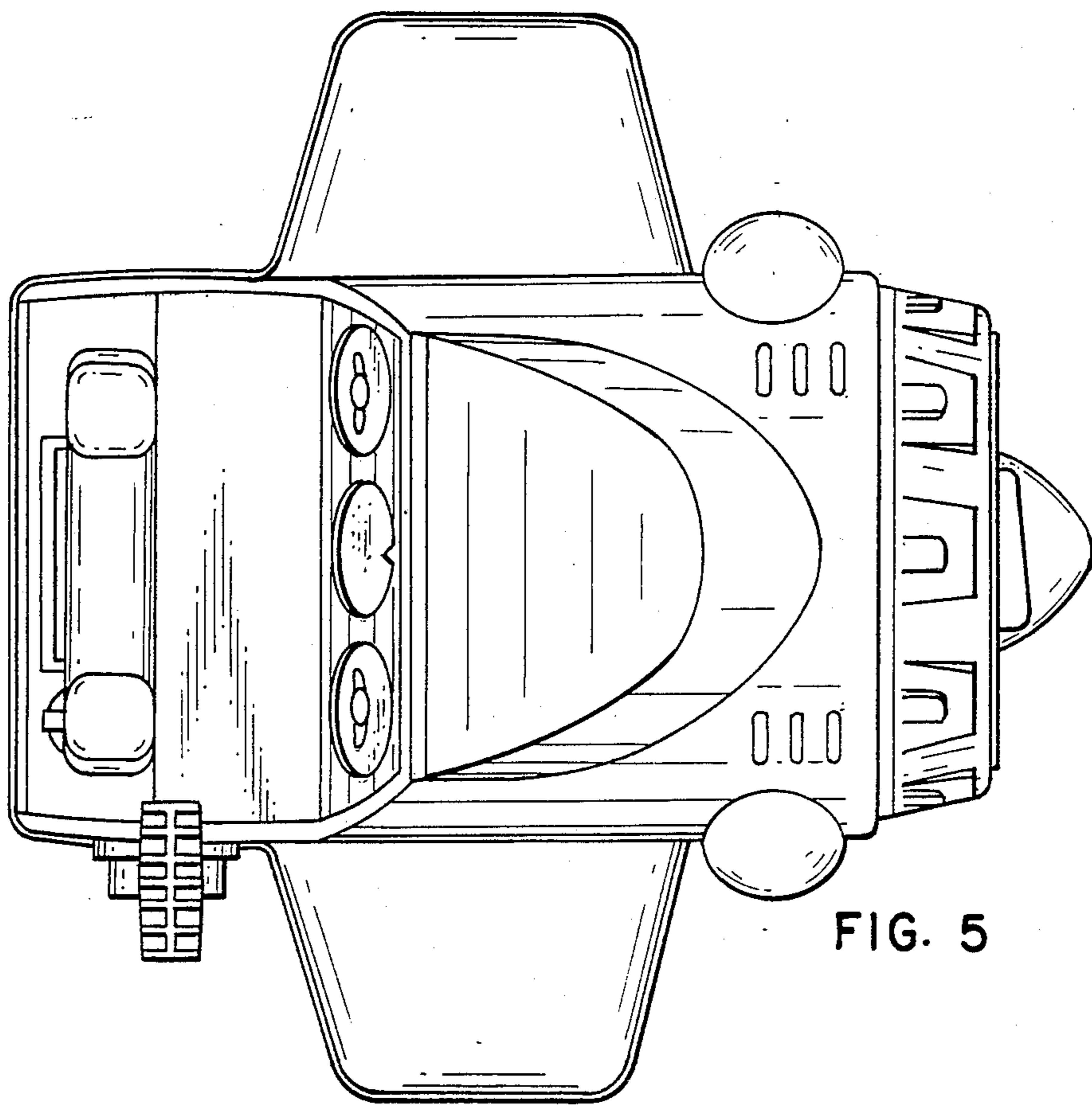


FIG. 5

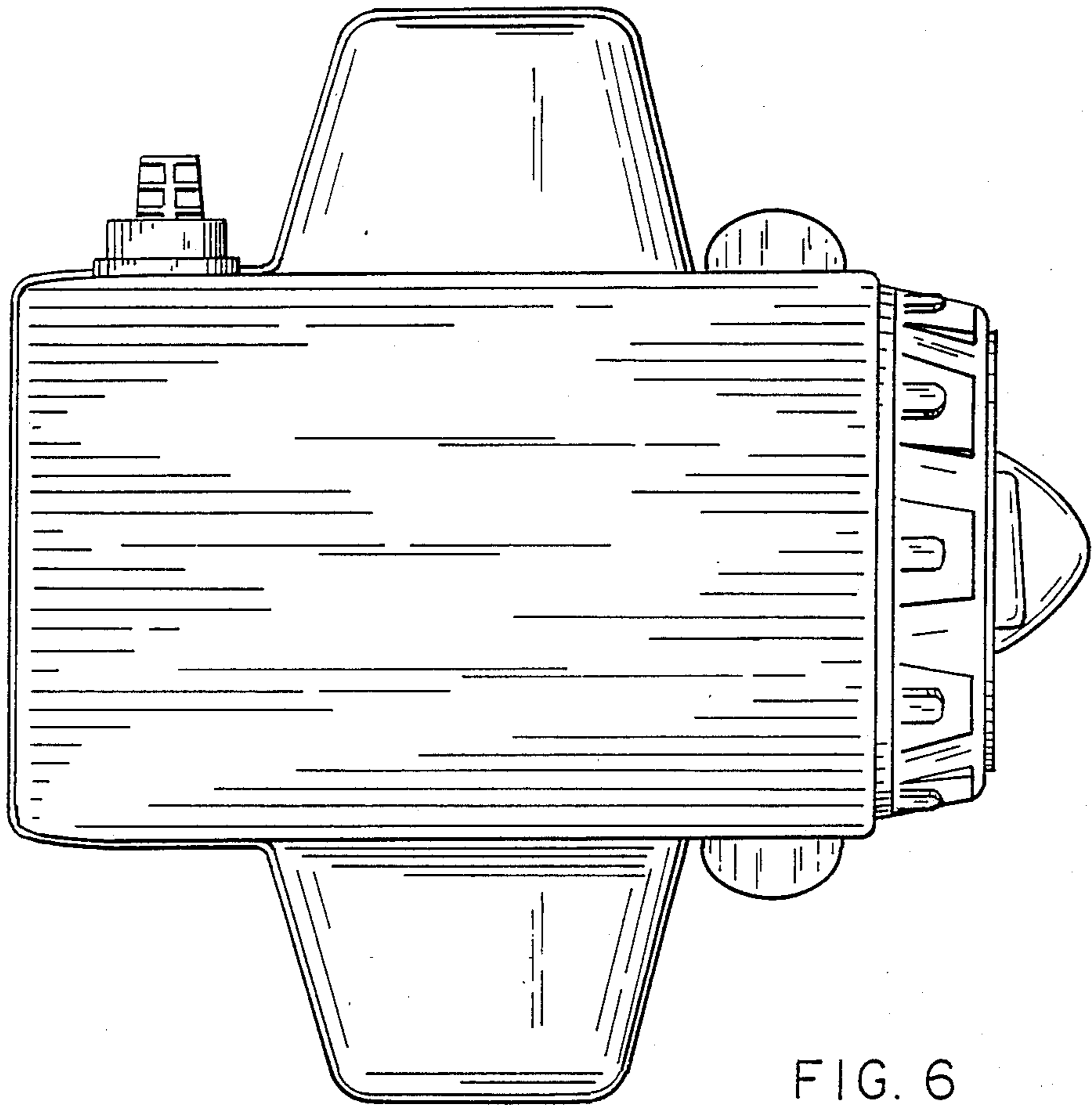


FIG. 6