

[54] BANKED HAIRPIN MARBLE RACE TOY

[75] Inventor: Daniel B. Klitsner, San Francisco, Calif.

[73] Assignee: Discovery Toys, Inc., Martinez, Calif.

[\*\*] Term: 14 Years

[21] Appl. No.: 216,731

[22] Filed: Jul. 1, 1988

[52] U.S. Cl. .... D21/143; D21/59

[58] Field of Search ..... D21/7, 8, 59, 143; 273/153 R, 156; 446/168

[56] References Cited

U.S. PATENT DOCUMENTS

D. 290,028	5/1987	Wichman	.....	D21/59
2,838,870	6/1958	Morse	.....	446/168
3,451,678	6/1969	Gehrts	.....	446/168
4,713,038	12/1987	Wichman et al.	.	

OTHER PUBLICATIONS

Berotoys catalog (two pages).

Primary Examiner—Charles A. Rademaker

Assistant Examiner—Alicia A. Farrell

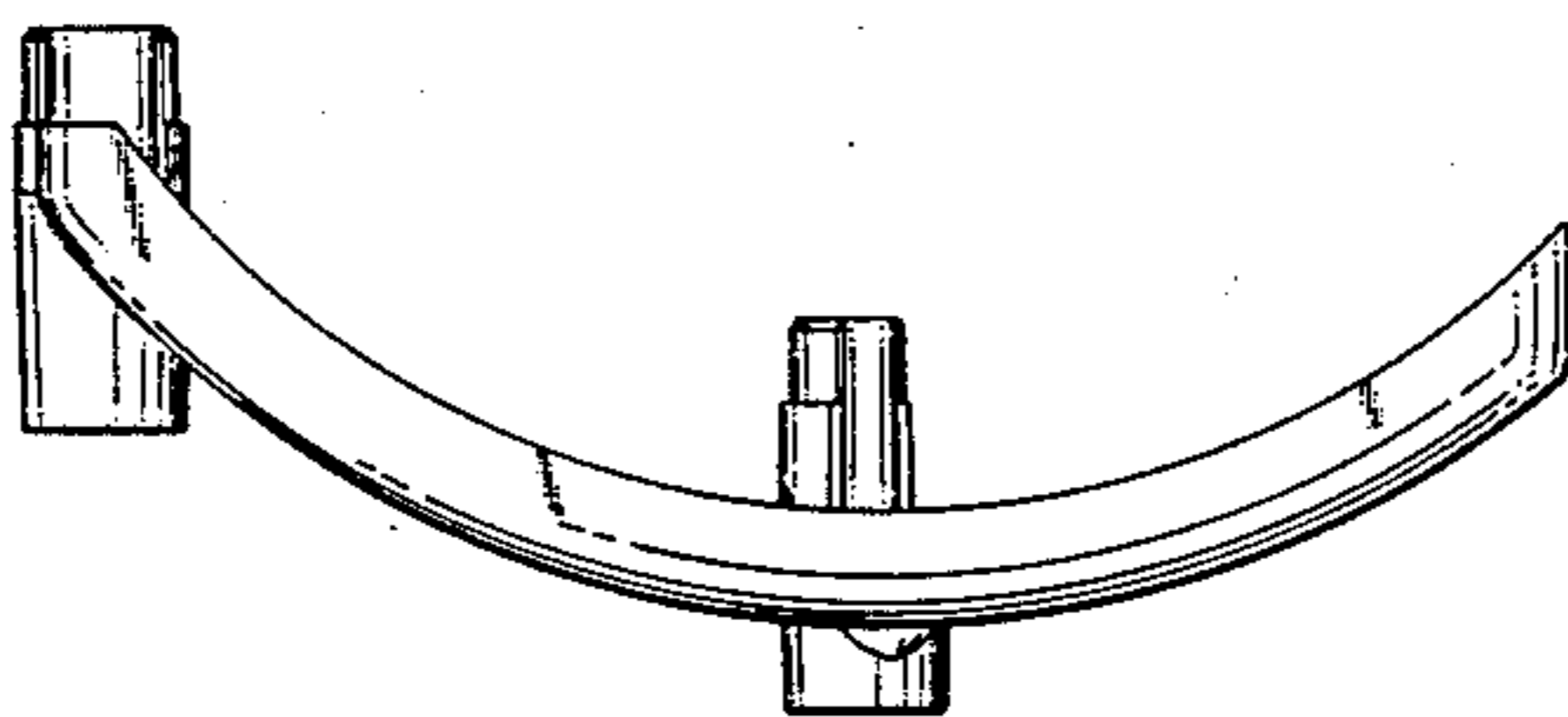
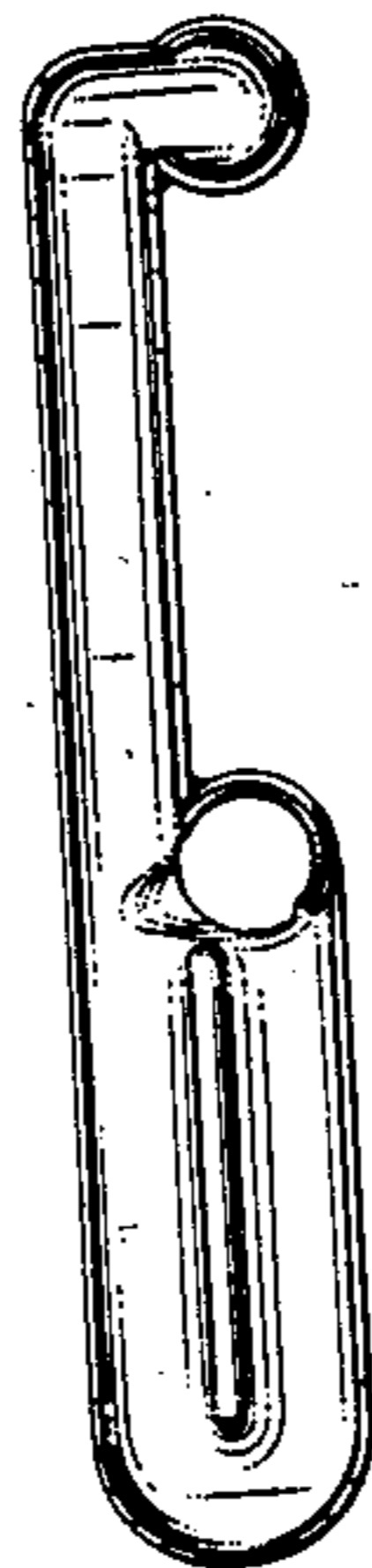
Attorney, Agent, or Firm—Townsend and Townsend

[57] CLAIM

The ornamental design for a banked hairpin marble race toy, as shown and described.

DESCRIPTION

FIG. 1 is a perspective view of a banked hairpin marble race toy showing my new design;  
 FIG. 2 is a top plan view thereof;  
 FIG. 3 is a front elevational view thereof;  
 FIG. 4 is a right side elevational view thereof;  
 FIG. 5 is a left side elevational view thereof;  
 FIG. 6 is a rear elevational view thereof; and  
 FIG. 7 is a bottom plan view thereof.



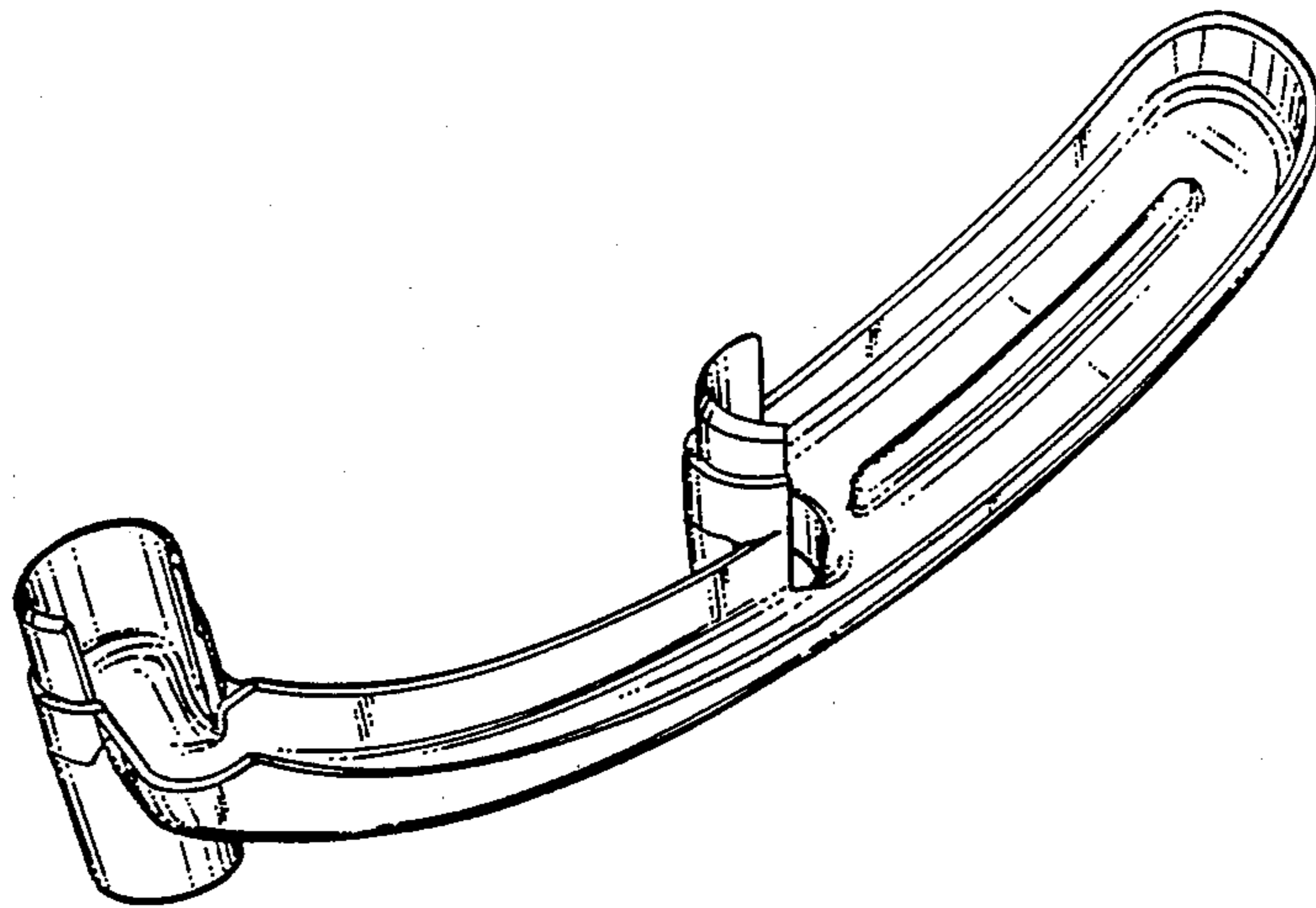


FIG. 1.

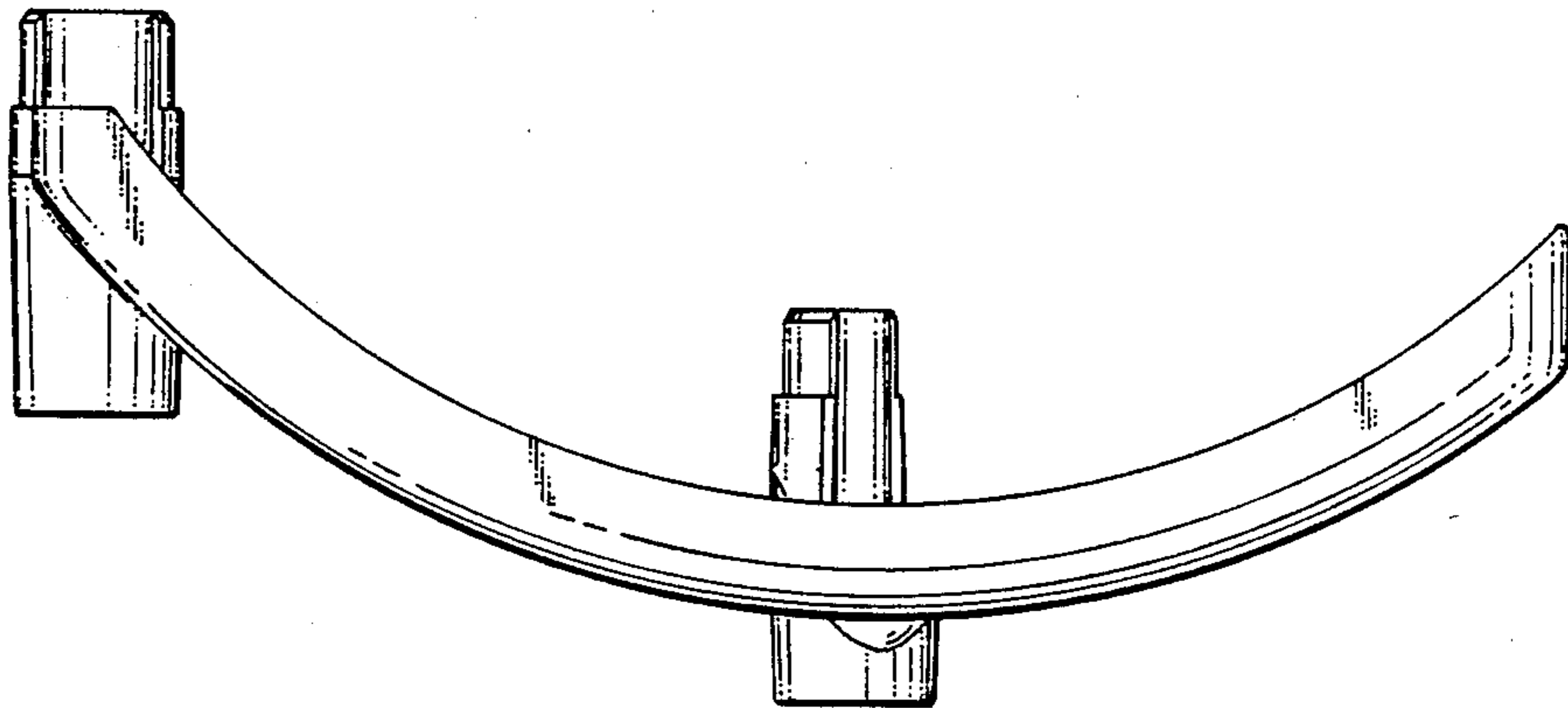


FIG. 5.

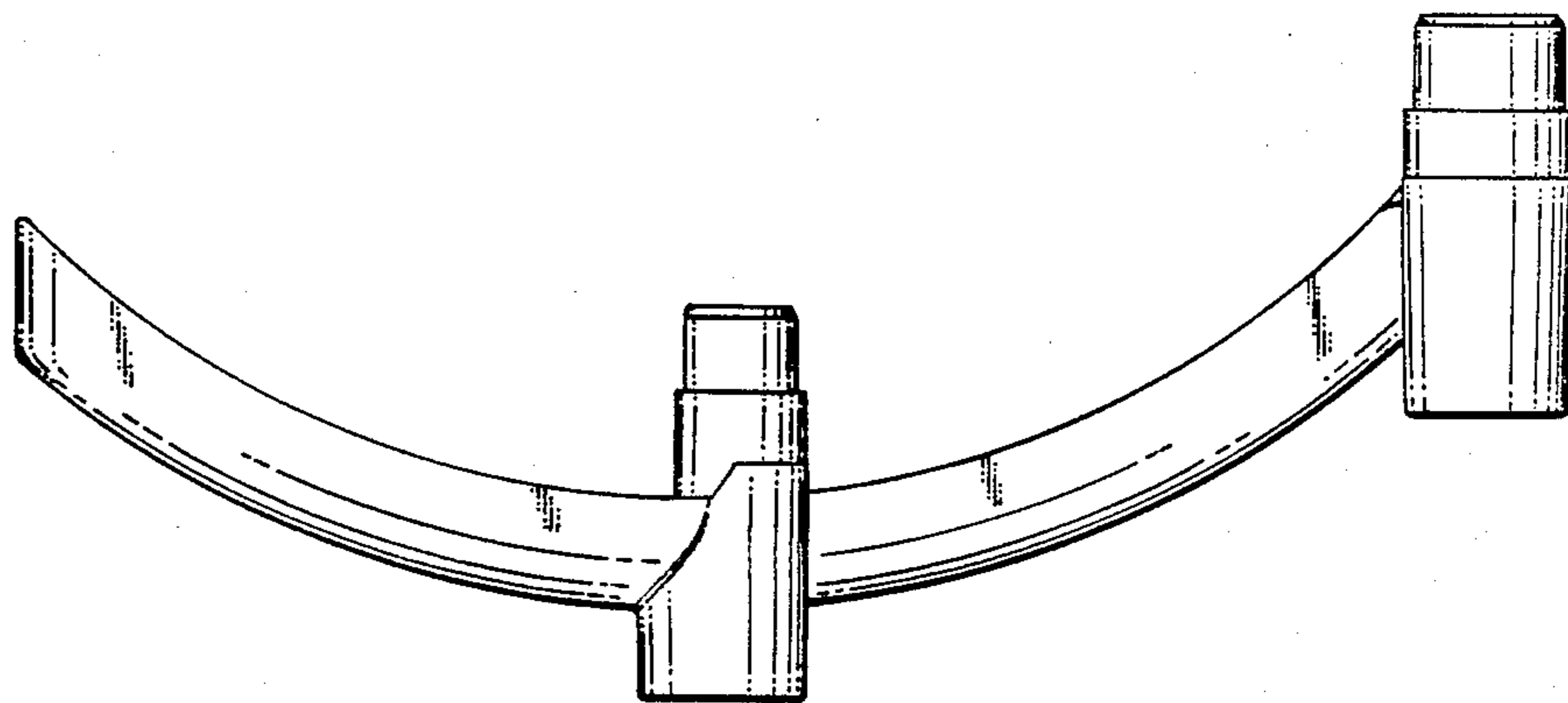


FIG. 4.

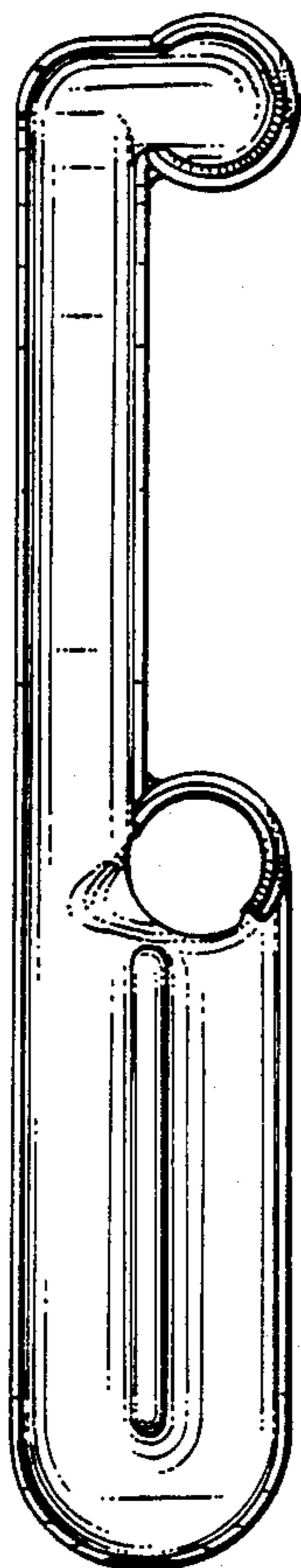


FIG. 2.

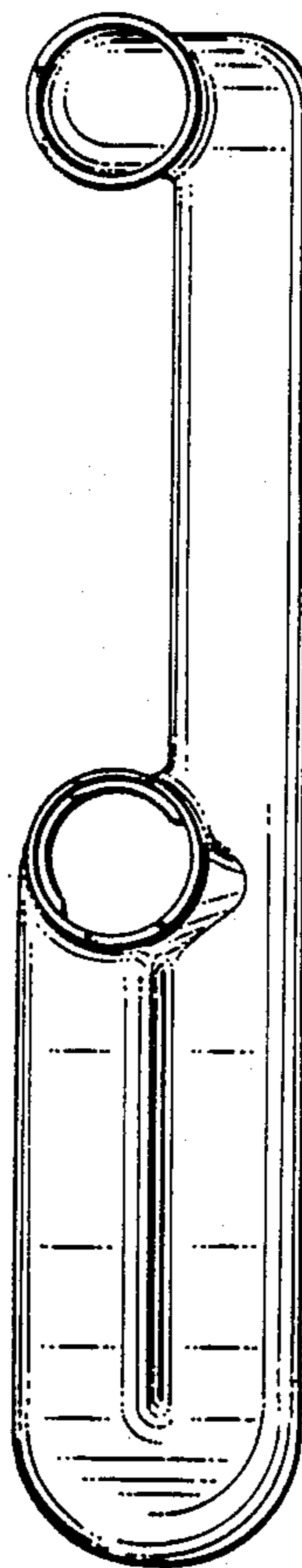


FIG. 7.

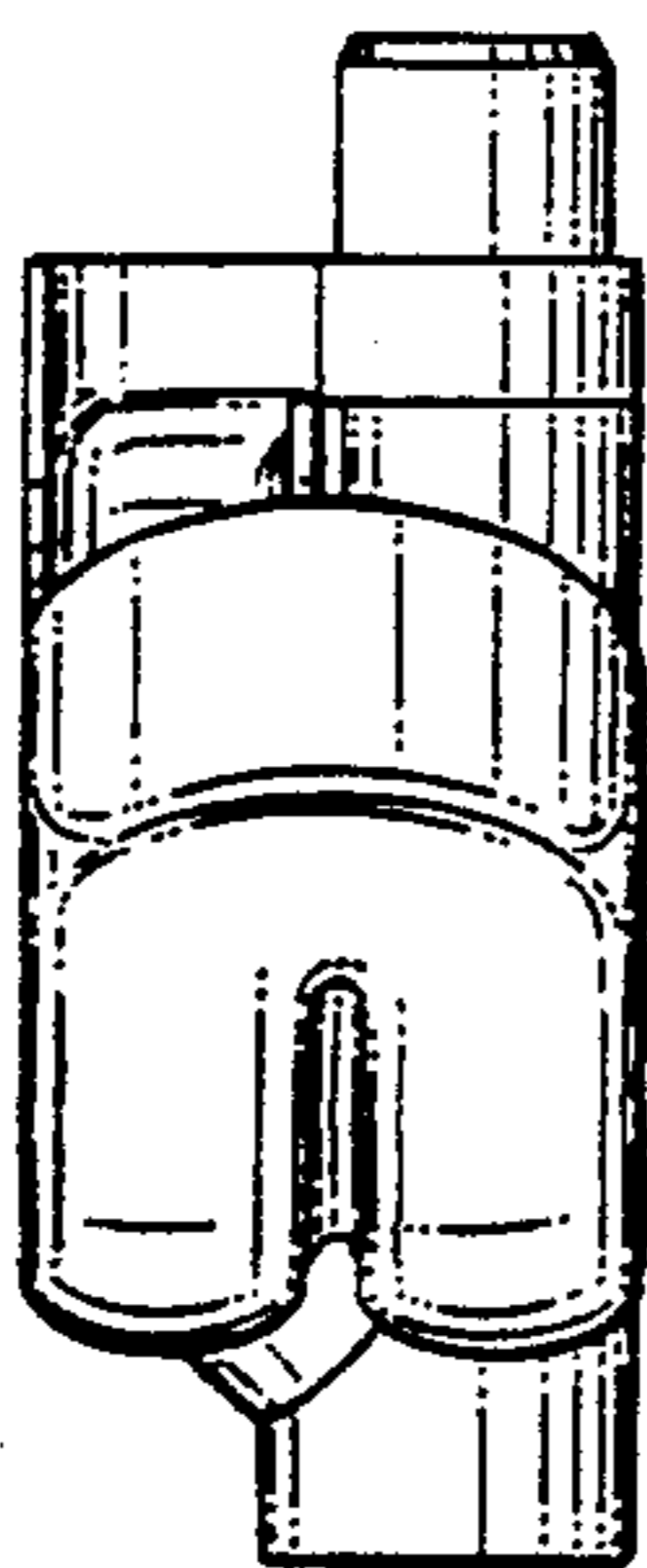


FIG. 3.

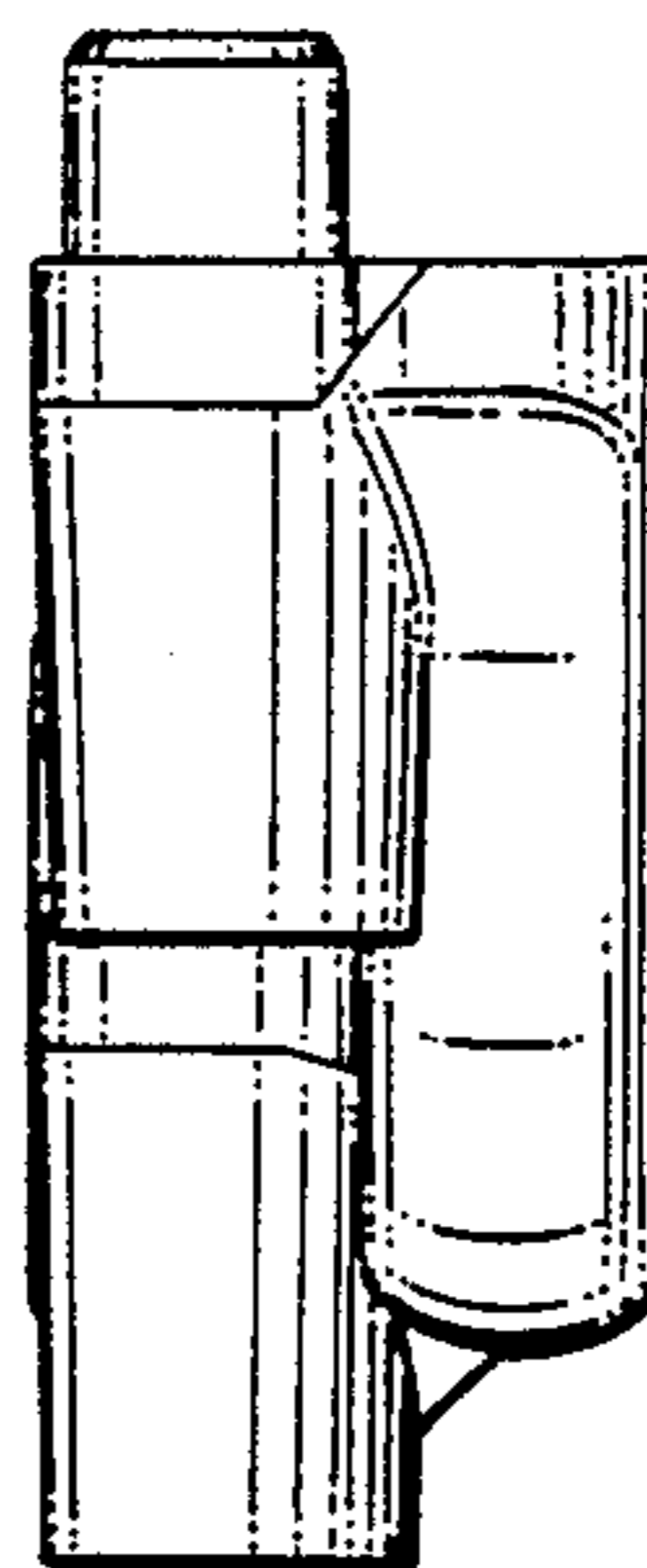


FIG. 6.