

[54] **SWITCH TRACK MARBLE RACE TOY**

[75] **Inventor: Daniel B. Klitsner, San Francisco, Calif.**

[73] **Assignee: Discovery Toys, Inc., Martinez, Calif.**

[**] **Term: 14 Years**

[21] **Appl. No.: 214,083**

[22] **Filed: Jun. 1, 1988**

[52] **U.S. Cl. D21/143; D21/59**

[58] **Field of Search D21/7, 8, 59, 143; 446/168; 273/153 R, 156**

[56] **References Cited**

U.S. PATENT DOCUMENTS

D. 230,291	2/1974	Karen	D21/59
2,729,914	1/1956	Cook	446/168
3,145,501	8/1964	Grosser	446/168
4,713,038	12/1987	Wichman et al.	.	

FOREIGN PATENT DOCUMENTS

2757531 7/1979 Fed. Rep. of Germany .

Primary Examiner—Charles A. Rademaker

Assistant Examiner—Alicia A. Farrell

Attorney, Agent, or Firm—Townsend and Townsend

[57] **CLAIM**

The ornamental design for a switch track marble race toy, as shown and described.

DESCRIPTION

FIG. 1 is a perspective view of a switch track marble race toy showing my new design;

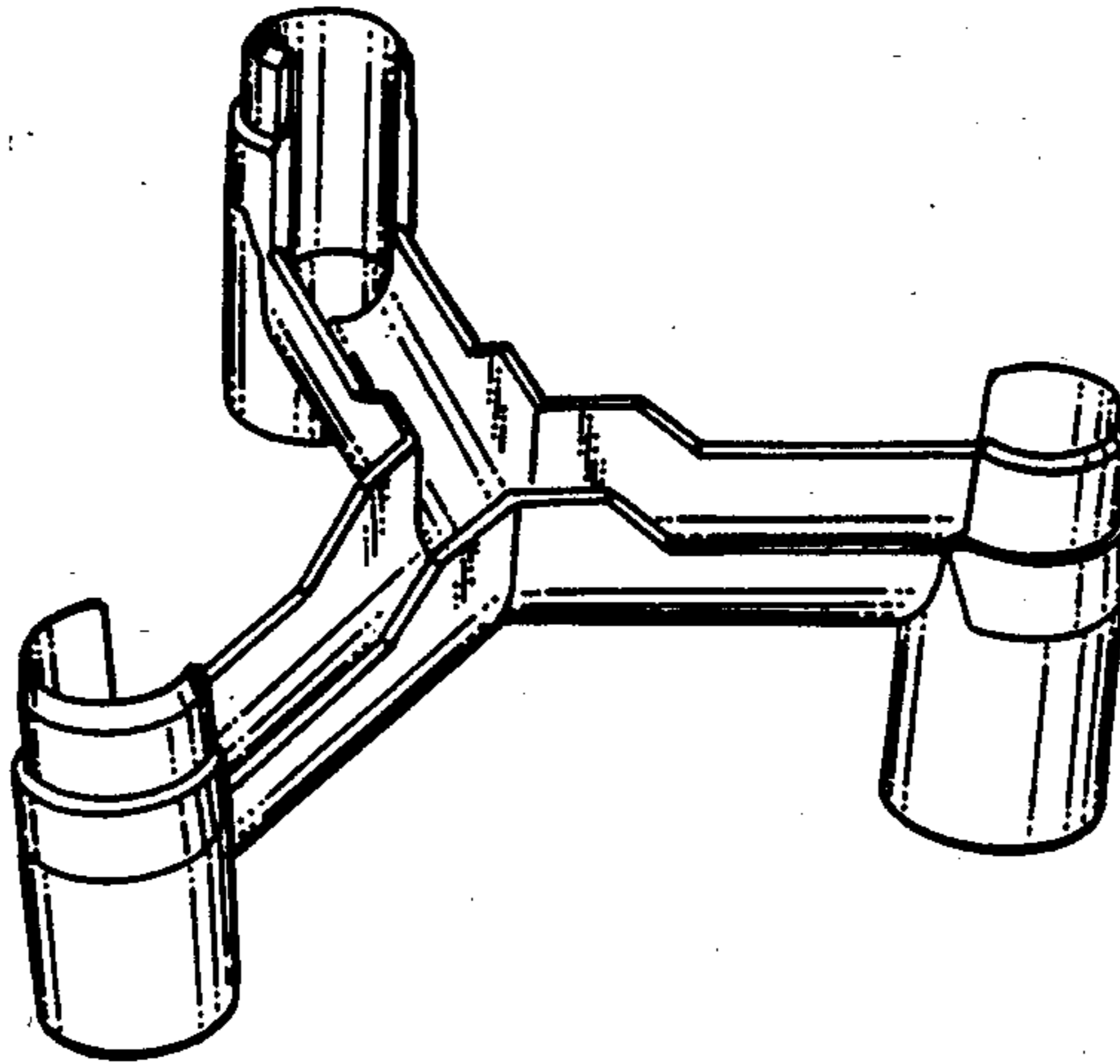
FIG. 2 is a top plan view thereof;

FIG. 3 is a front elevational view thereof;

FIG. 4 is a right side elevational view thereof, the left side elevational view being a mirror image;

FIG. 5 is a rear elevational view thereof; and

FIG. 6 is a bottom plan view thereof.



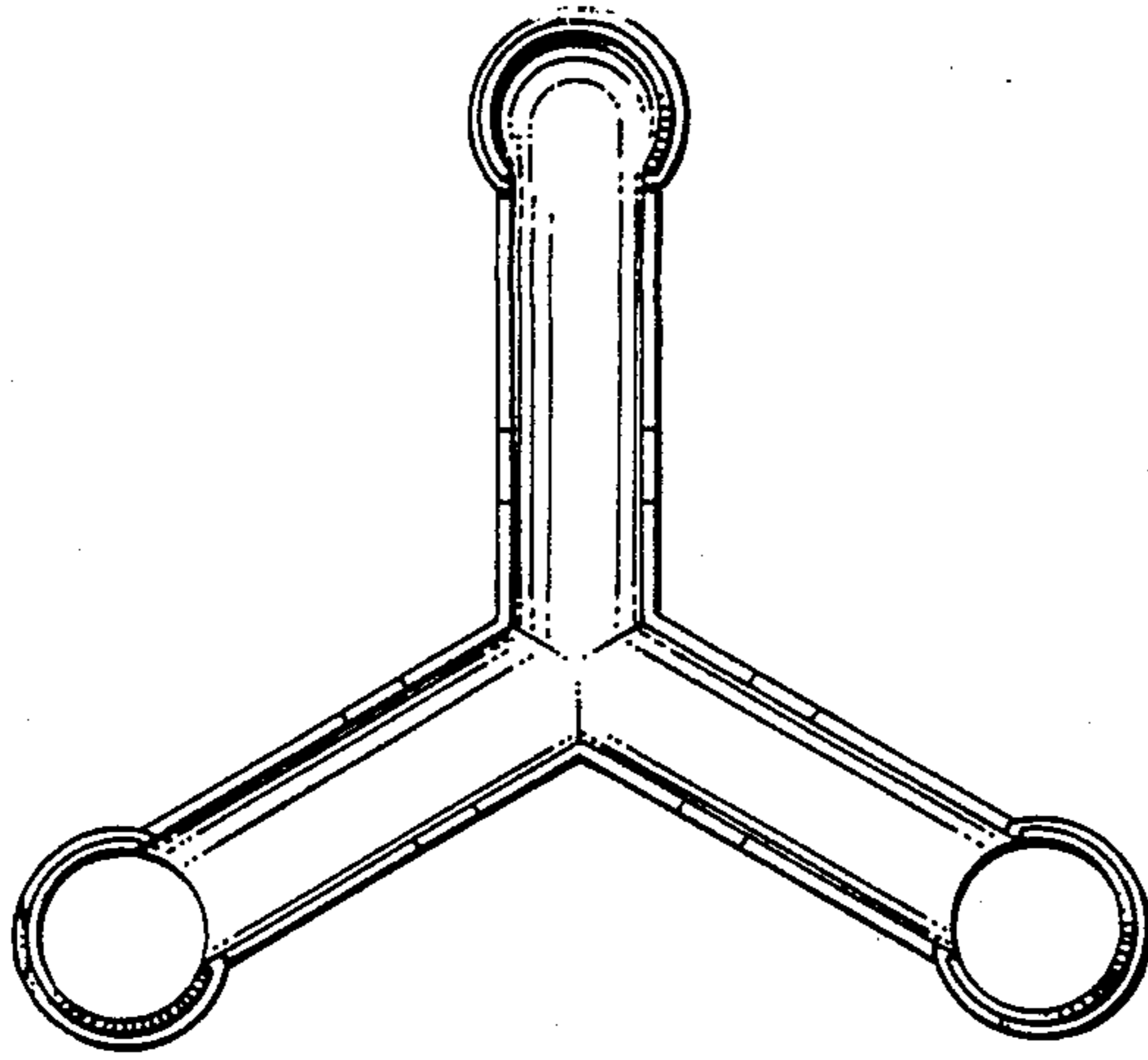


FIG._2.

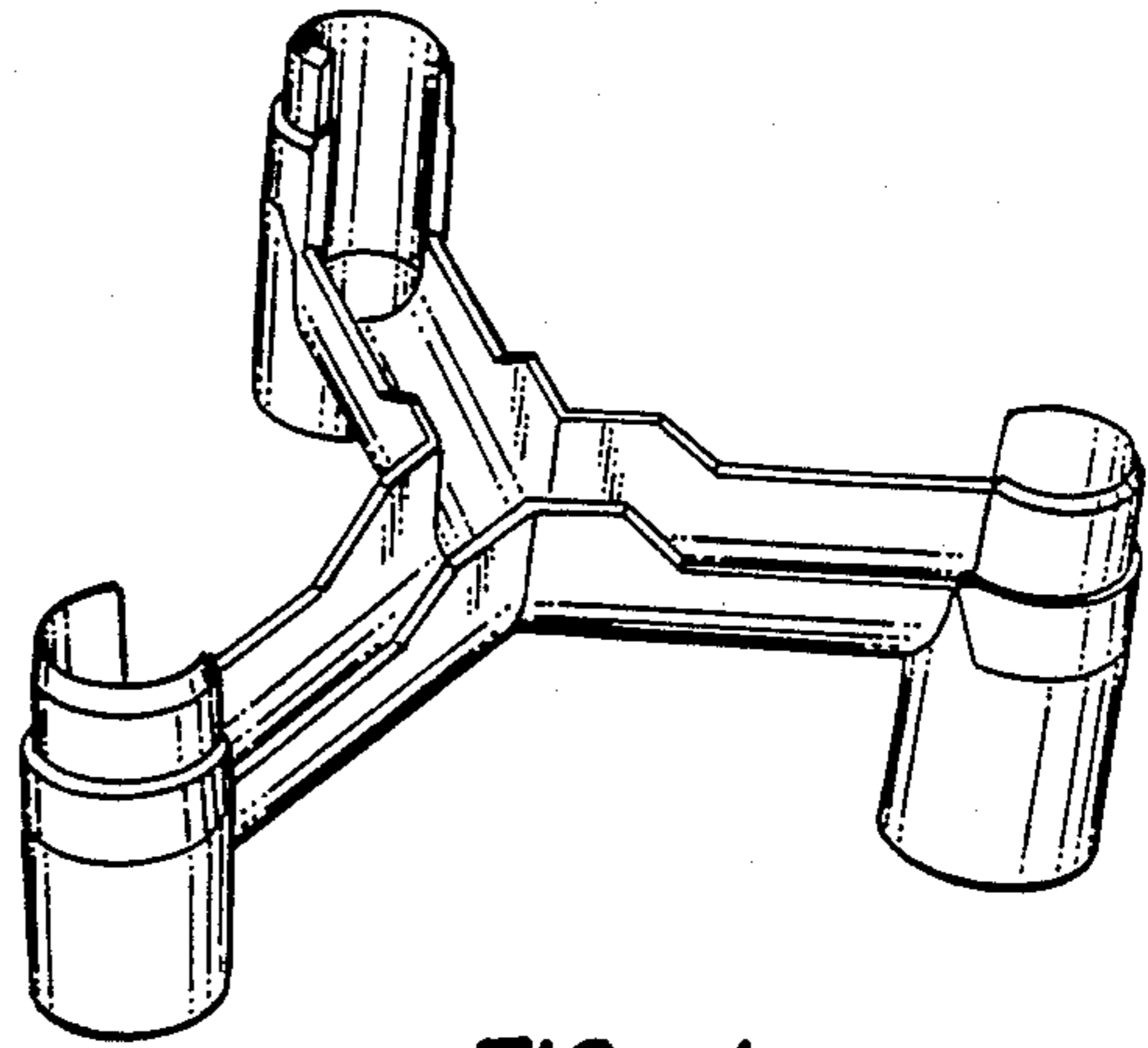


FIG._1.

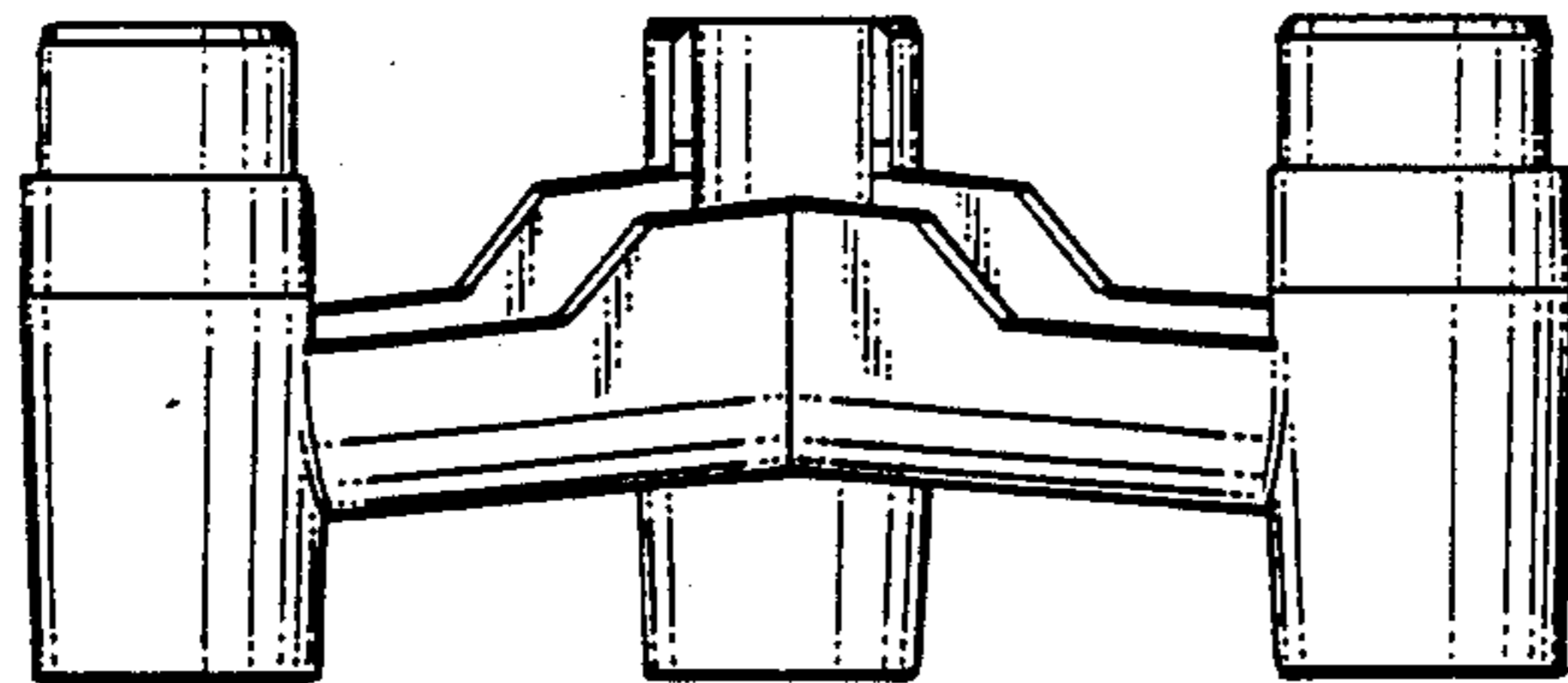


FIG._3.

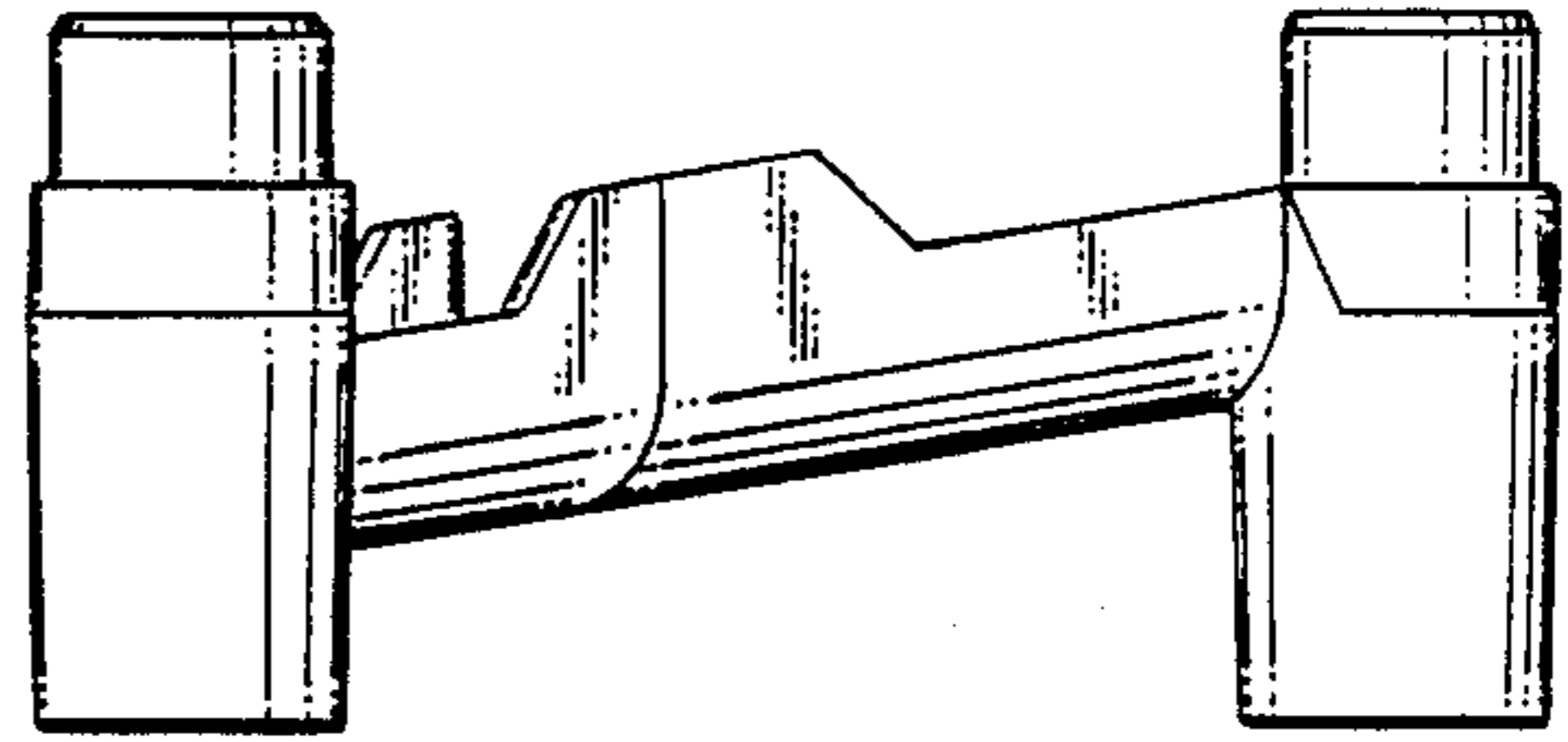


FIG._4.

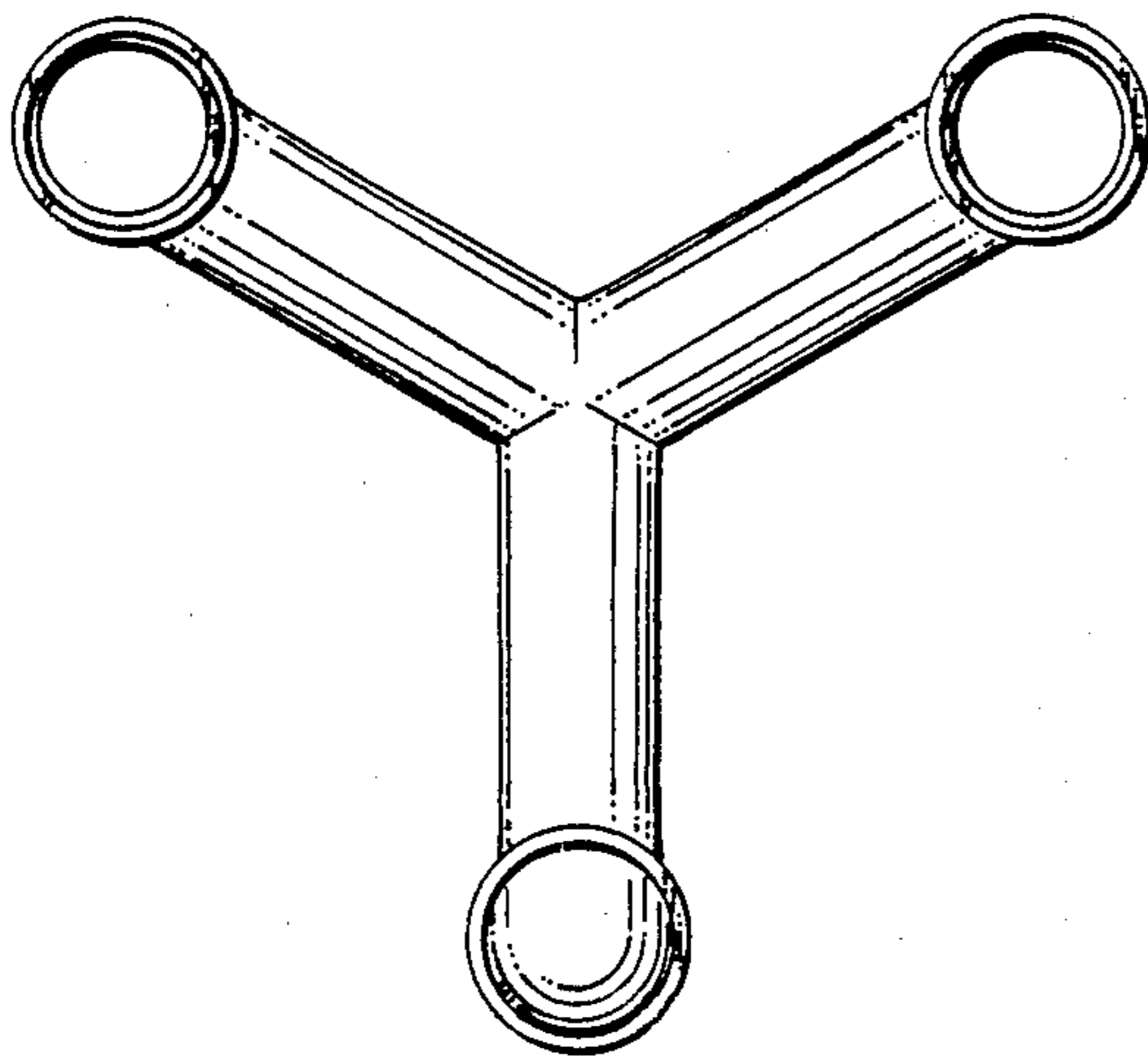


FIG._6.

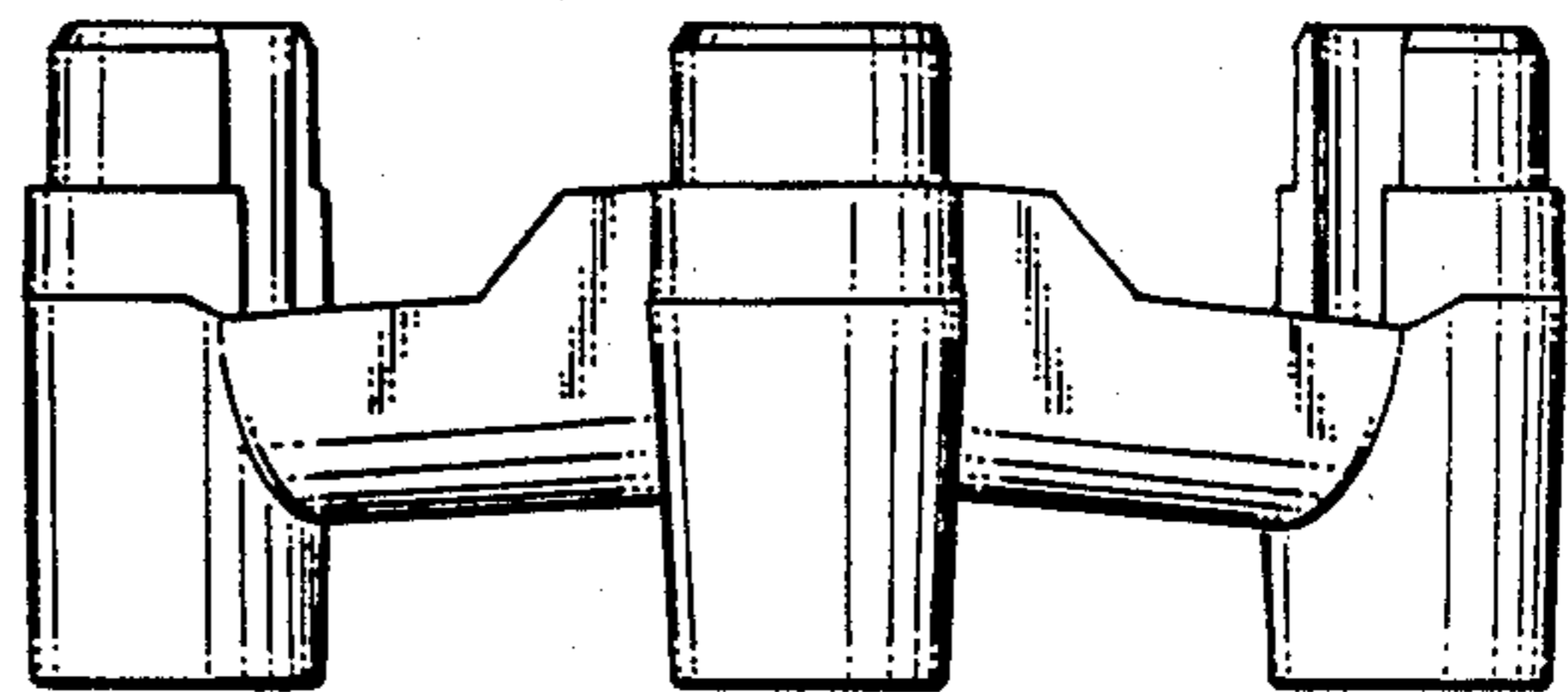


FIG._5.