

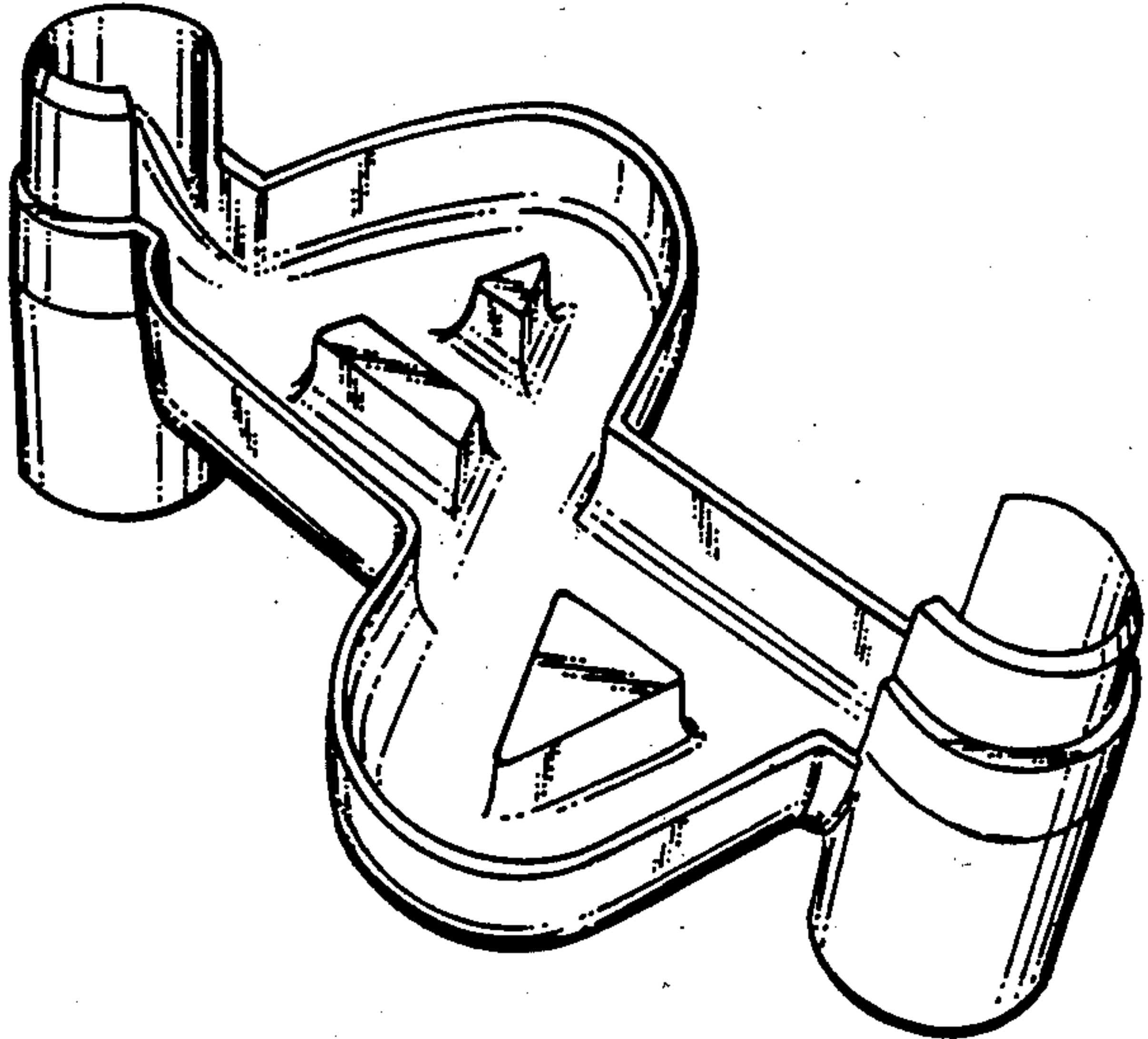
- [54] **PASSING LANE MARBLE RACE TOY**
- [75] **Inventor: Daniel B. Klitsner, San Francisco, Calif.**
- [73] **Assignee: Discovery Toys, Inc., Martinez, Calif.**
- [**] **Term: 14 Years**
- [21] **Appl. No.: 216,733**
- [22] **Filed: Jul. 1, 1988**
- [52] **U.S. Cl. D21/143; D21/59**
- [58] **Field of Search D21/7, 8, 59, 143; 273/153 R, 156; 446/168**

- [56] **References Cited**
U.S. PATENT DOCUMENTS
D. 230,291 2/1974 Karen D21/59
3,768,810 10/1973 Goldfarb et al. 446/168

4,713,038 12/1987 Wichman et al. .
Primary Examiner—Charles A. Rademaker
Assistant Examiner—Alicia A. Farrell
Attorney, Agent, or Firm—Townsend and Townsend

[57] **CLAIM**
The ornamental design for a passing lane marble race toy, as shown and described.

DESCRIPTION
FIG. 1 is a perspective view of a passing lane marble race toy showing my new design; FIG. 2 is a top plan view thereof; FIG. 3 is a front elevational view thereof; FIG. 4 is a right side elevational view thereof; FIG. 5 is a left side elevational view thereof; FIG. 6 is a rear elevational view thereof; and FIG. 7 is a bottom plan view thereof.



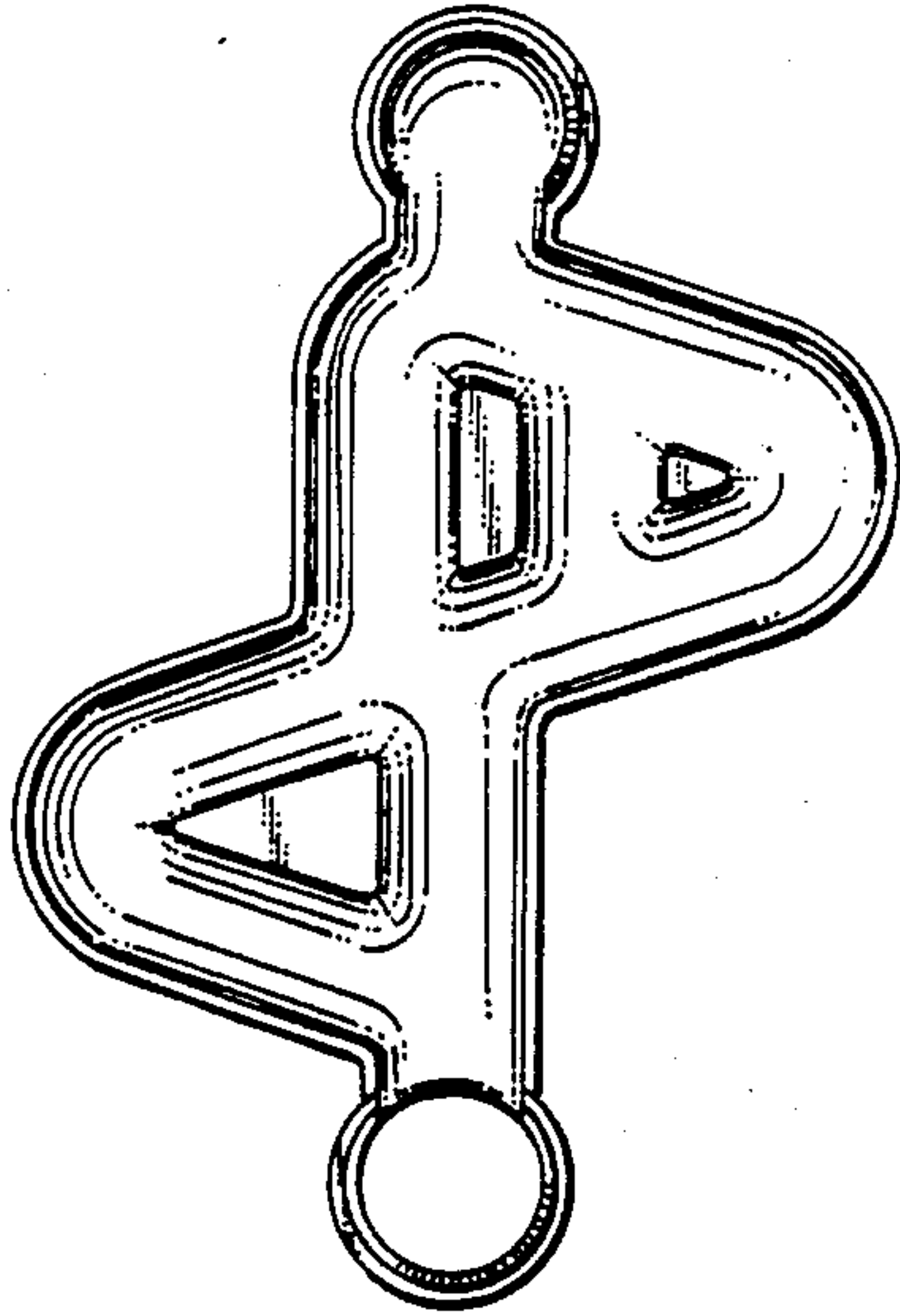


FIG. 2.

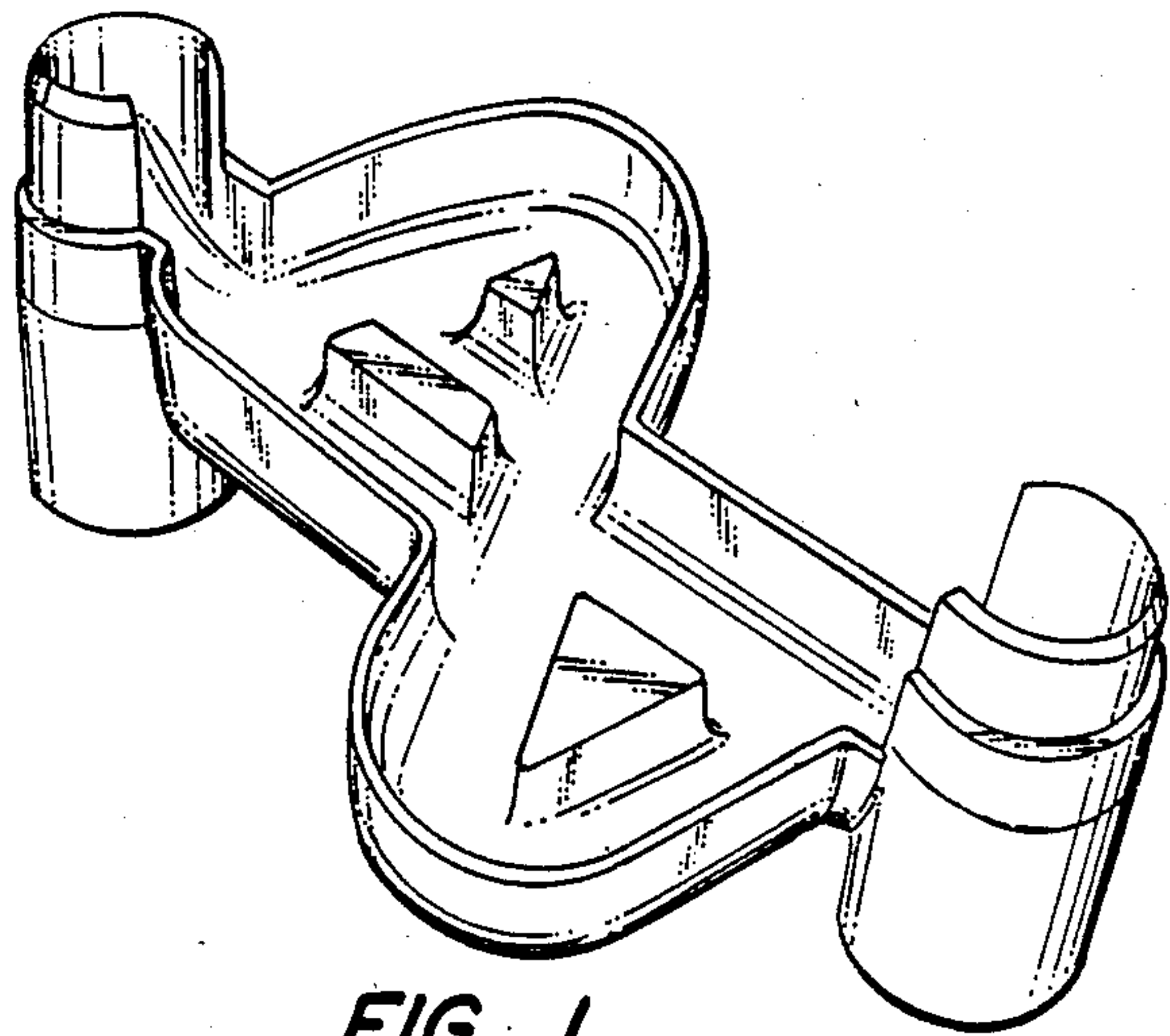


FIG. 1.

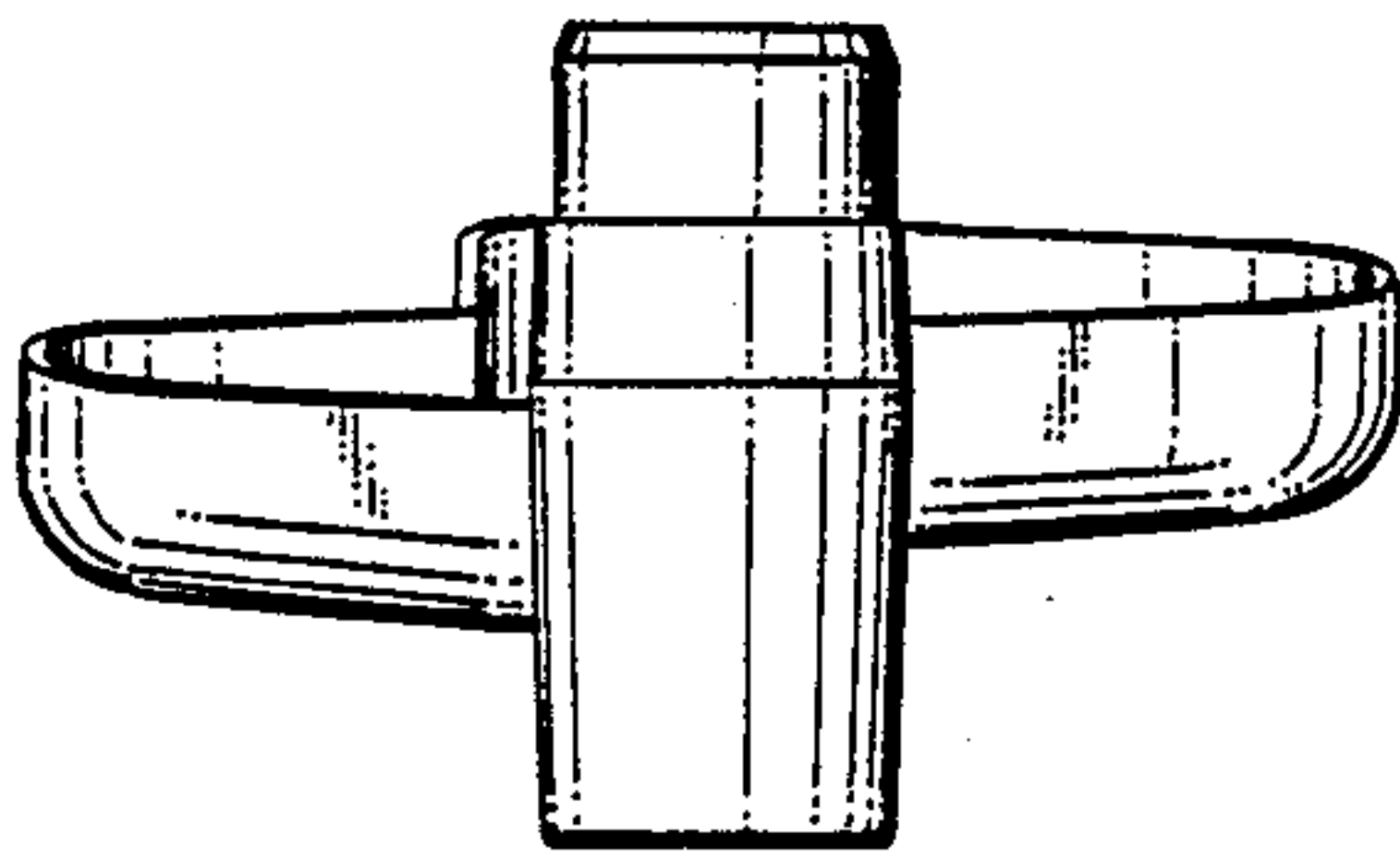


FIG. 3.

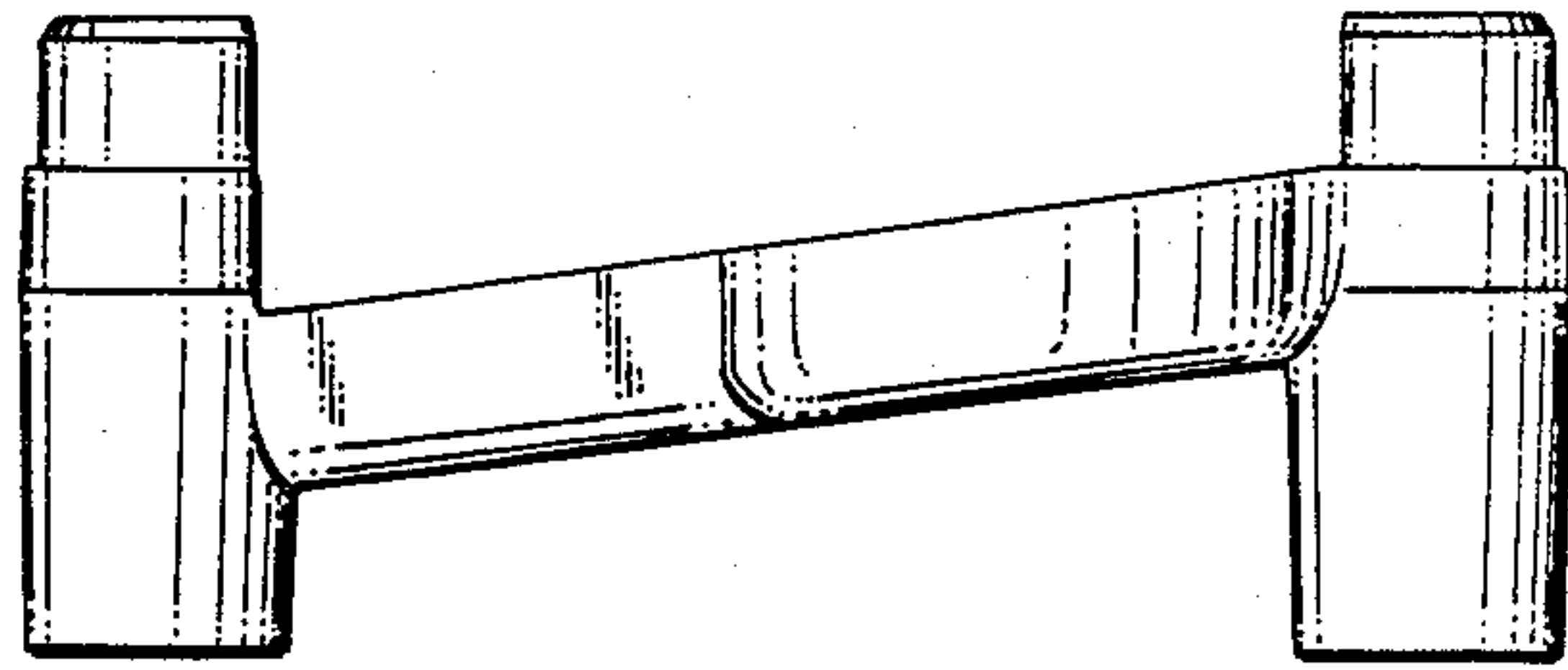


FIG. 4.

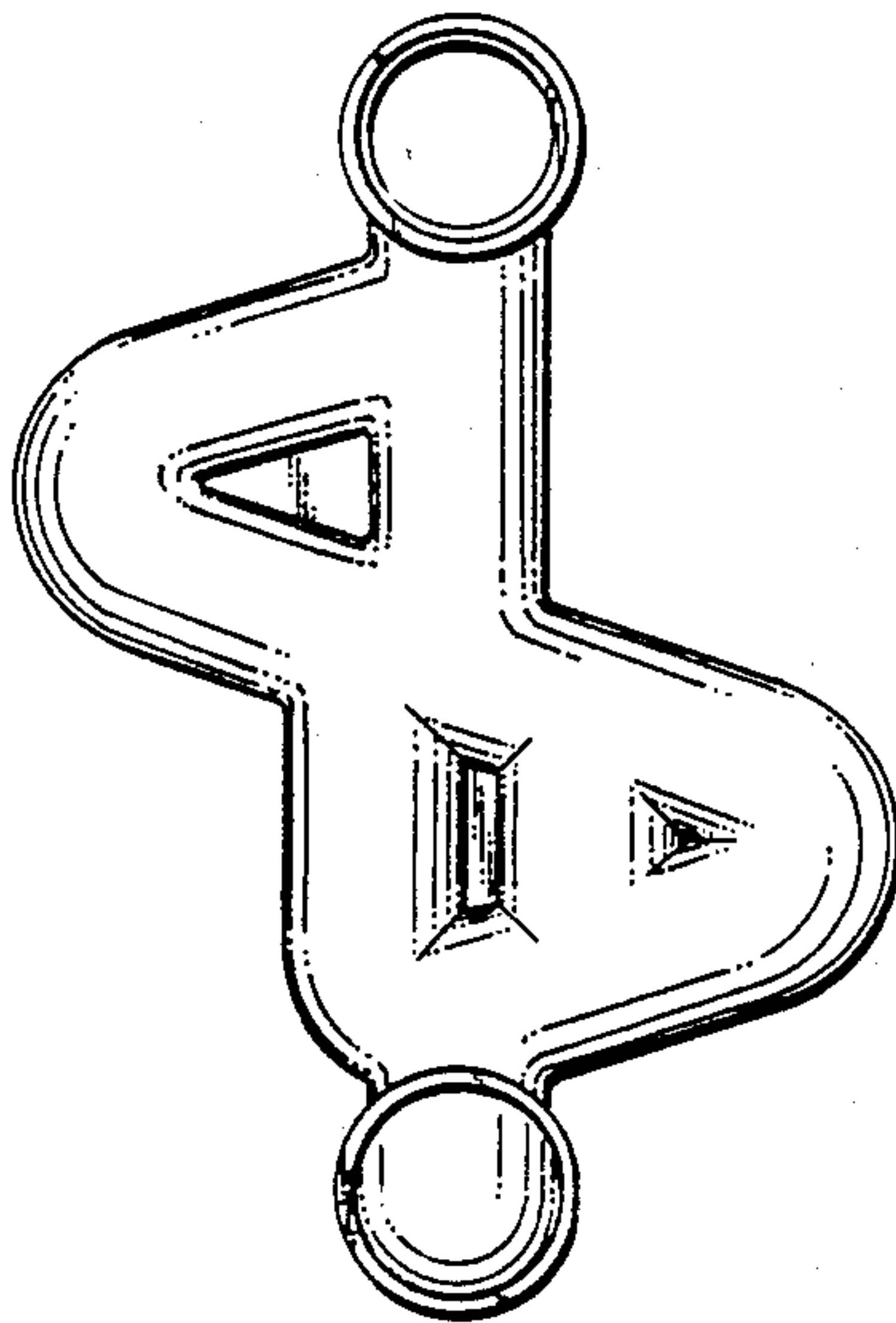


FIG. 7.

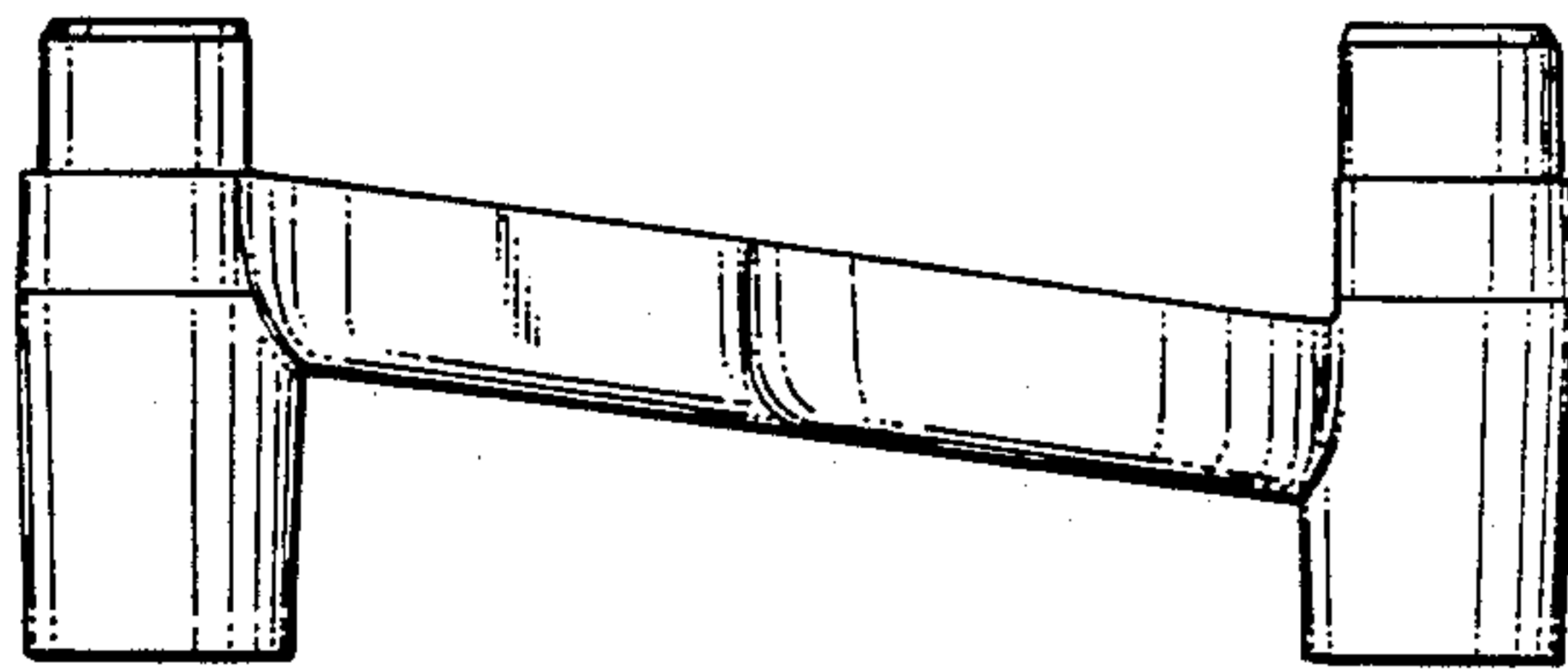


FIG. 5.

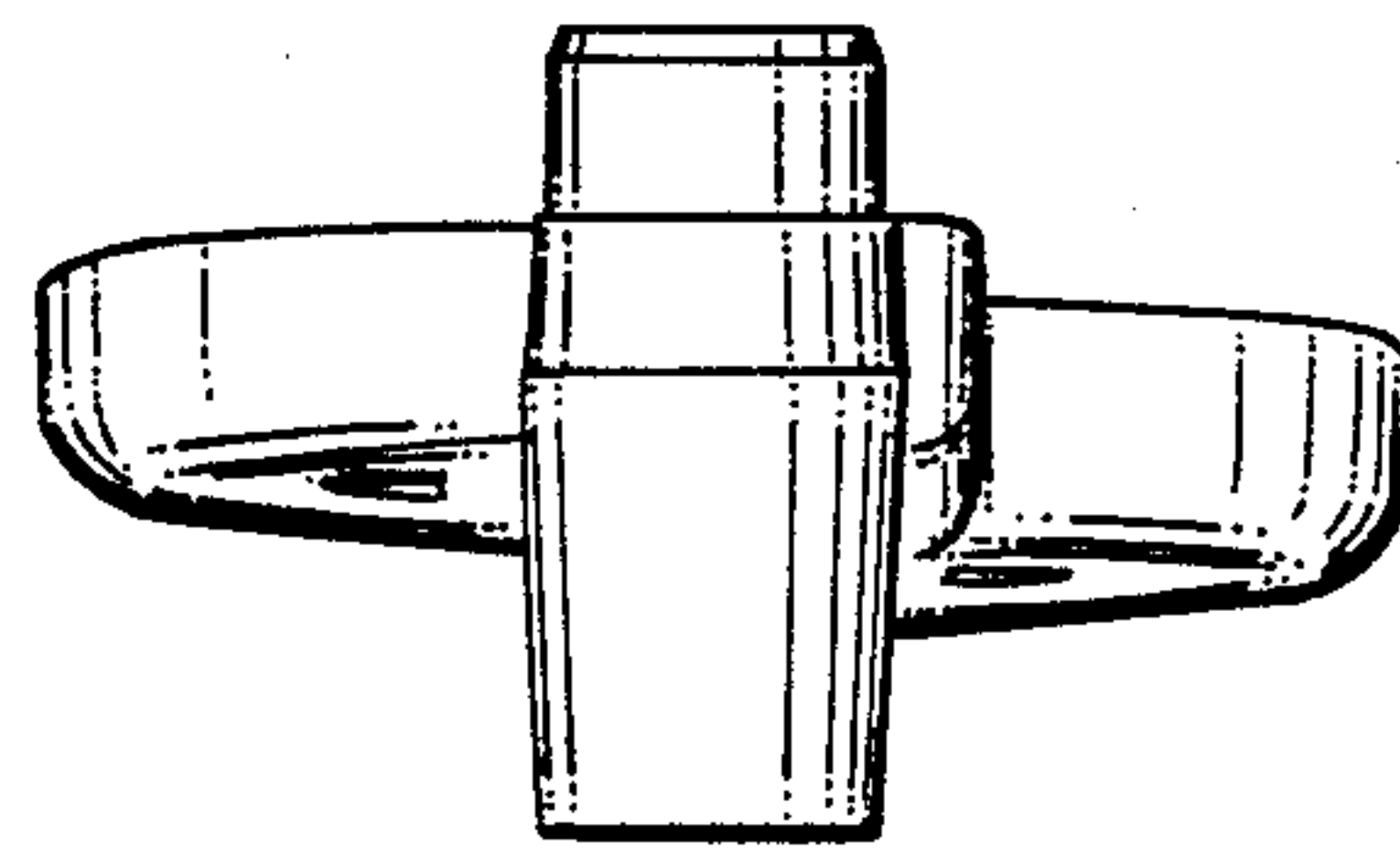


FIG. 6.