

United States Patent [19]

Klitsner

[11] Patent Number: **Des. 305,043**

[45] Date of Patent: **** Dec. 12, 1989**

[54] FINISHING LANE MARBLE RACE TOY

[75] Inventor: **Daniel B. Klitsner, San Francisco, Calif.**

[73] Assignee: **Discovery Toys, Inc., Martinez, Calif.**

[**] Term: **14 Years**

[21] Appl. No.: **214,711**

[22] Filed: **Jul. 1, 1988**

[52] U.S. Cl. **D21/143; D21/59**

[58] Field of Search **D21/7, 8, 59, 143; 273/153 R, 156; 446/168**

3,145,501 8/1964 Grosser 446/168
3,451,678 6/1969 Gehrts .
4,713,038 12/1987 Wichman et al. .

OTHER PUBLICATIONS

Discovery Toys, 1987 Spring Summer Catalog, p. 26.

Primary Examiner—Charles A. Rademaker

Assistant Examiner—Alicia A. Farrell

Attorney, Agent, or Firm—Townsend and Townsend

[57] **CLAIM**

The ornamental design for a finishing lane marble race toy, as shown and described.

DESCRIPTION

FIG. 1 is a perspective view of a finishing lane marble race toy showing my new design;

FIG. 2 is a top plan view thereof;

FIG. 3 is a front elevational view thereof;

FIG. 4 is a right side elevational view thereof, the left side elevational view being a mirror image;

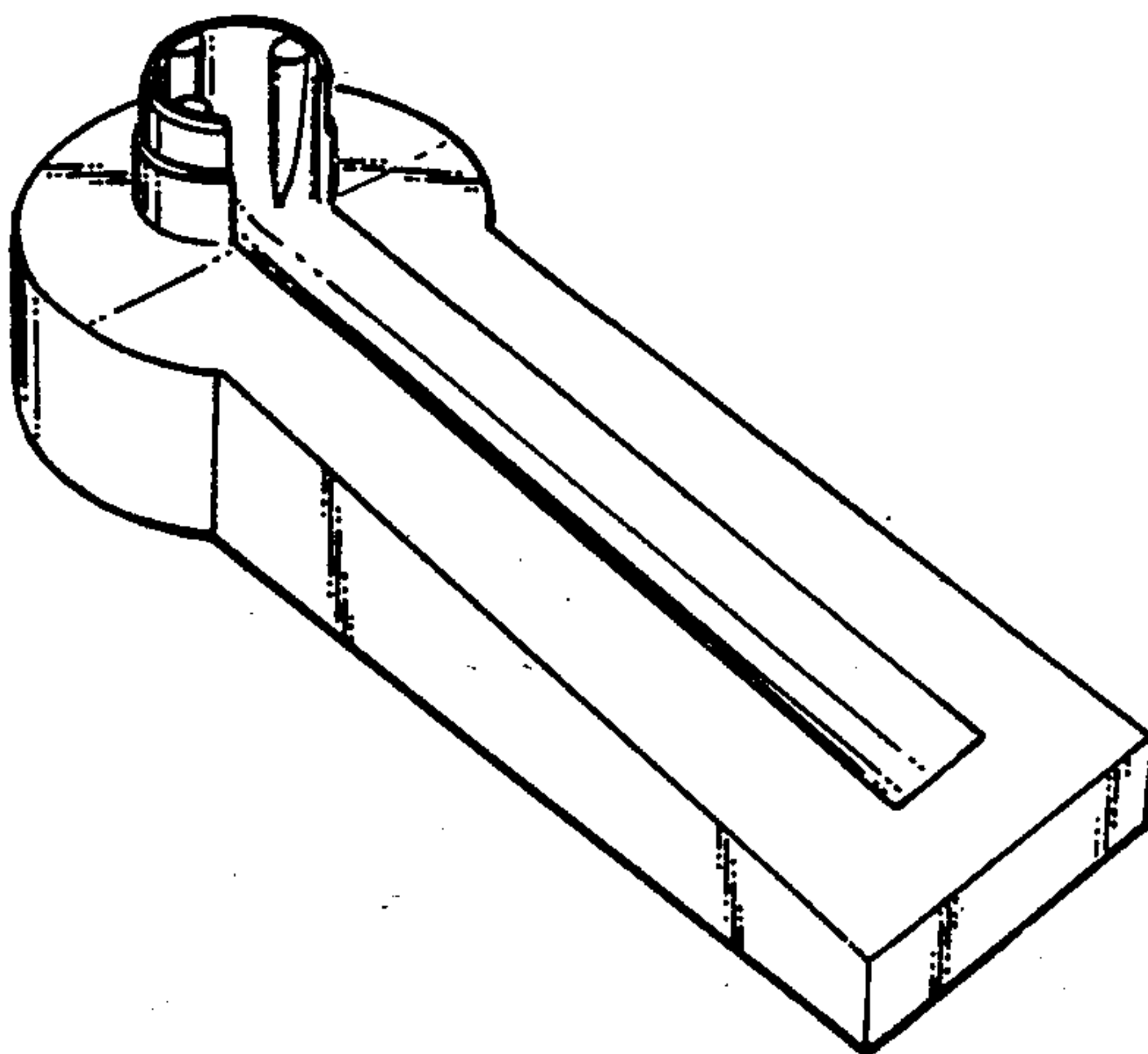
FIG. 5 is a rear elevational view thereof; and

FIG. 6 is a bottom plan view thereof.

[56] **References Cited**

U.S. PATENT DOCUMENTS

D. 29,748	11/1898	Perry	D21/8
D. 232,245	7/1974	Sirois	D21/7
D. 290,028	5/1987	Wichman	D21/59
D. 290,145	6/1987	Wichman	D21/59
2,726,869	12/1955	Schulte	.	
2,729,914	1/1956	Cook	446/168



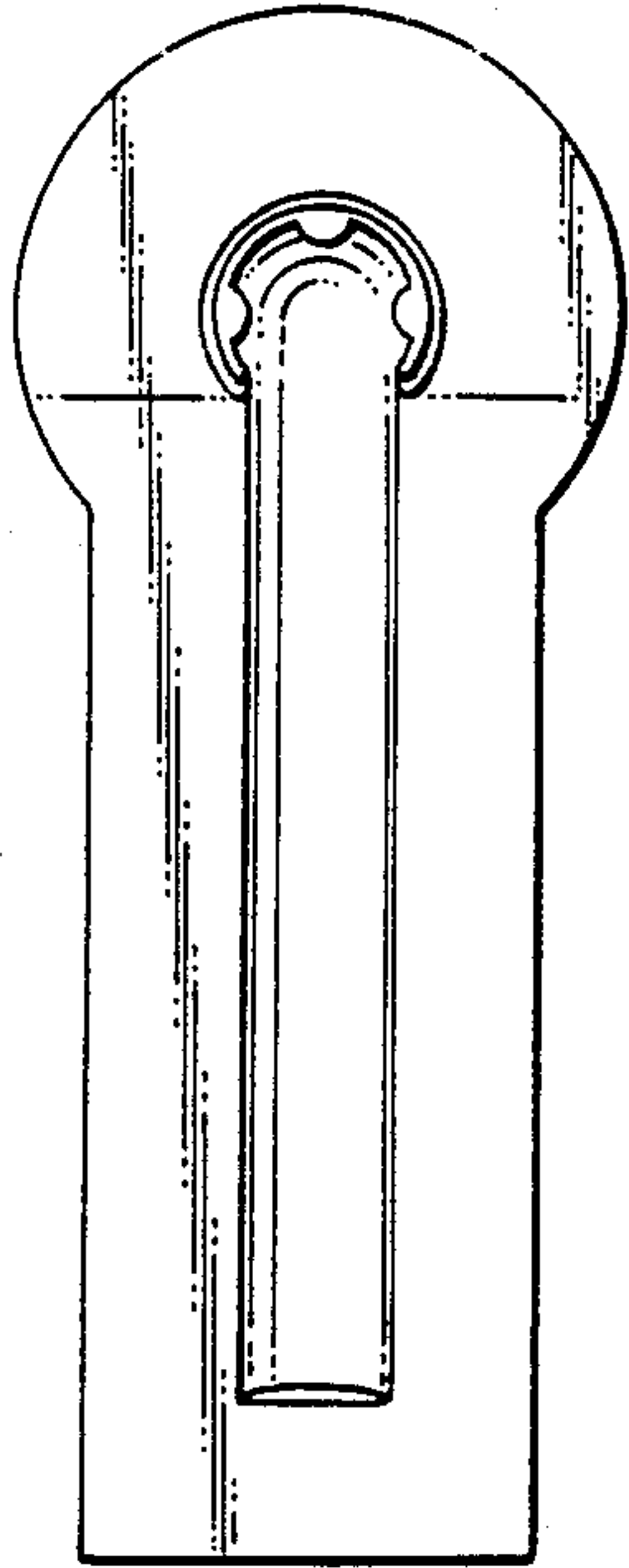


FIG. 2.

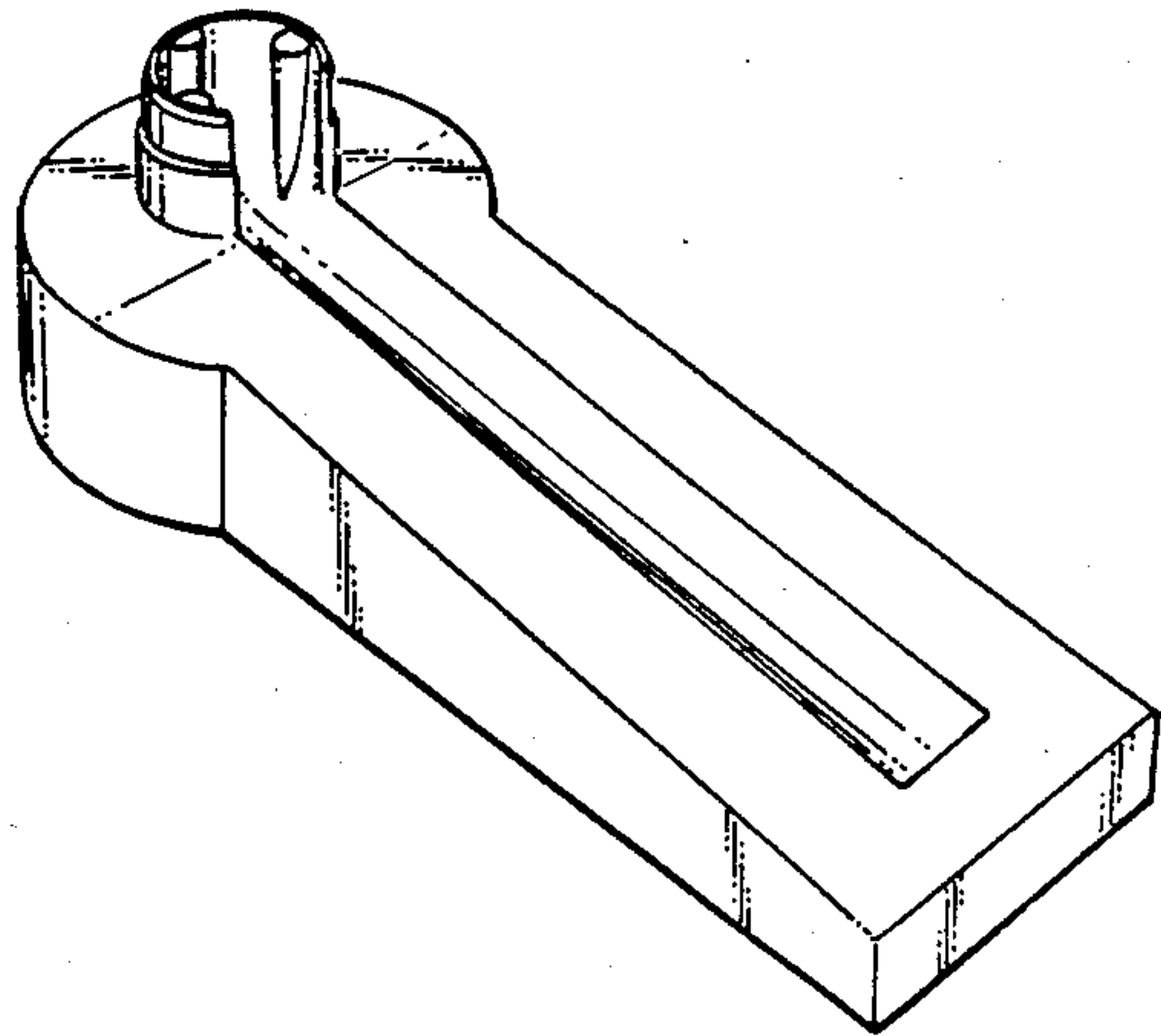


FIG. 1.

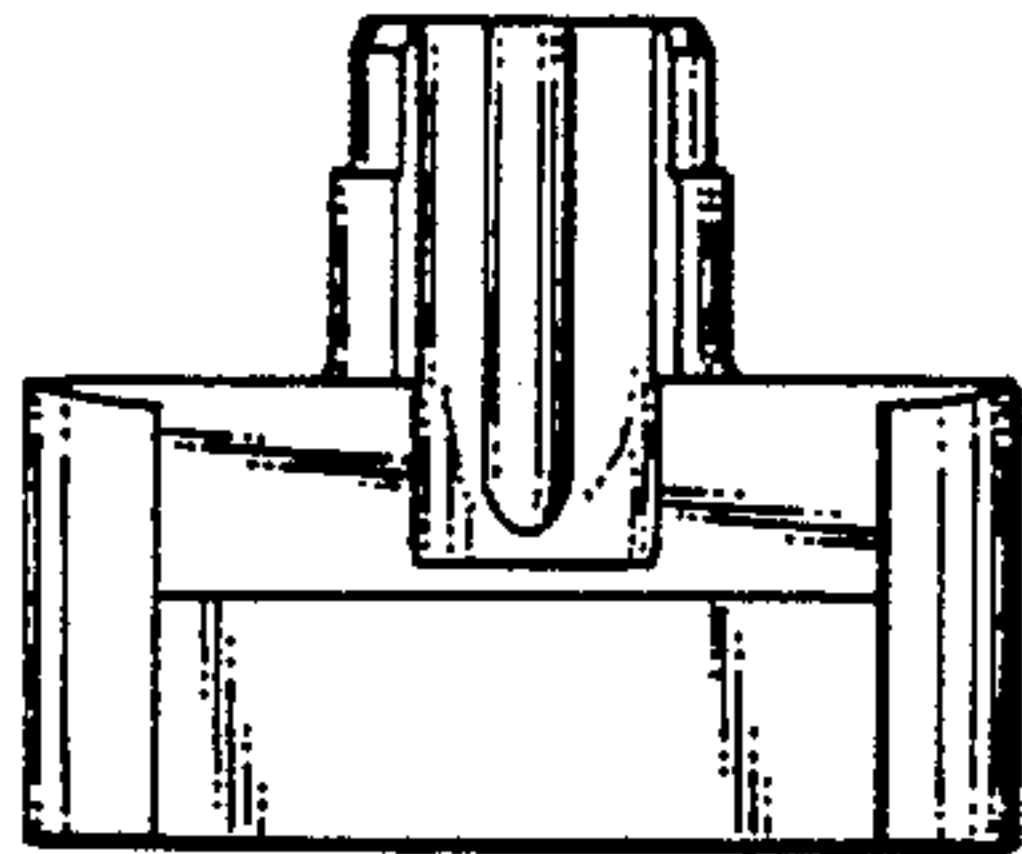


FIG. 3.

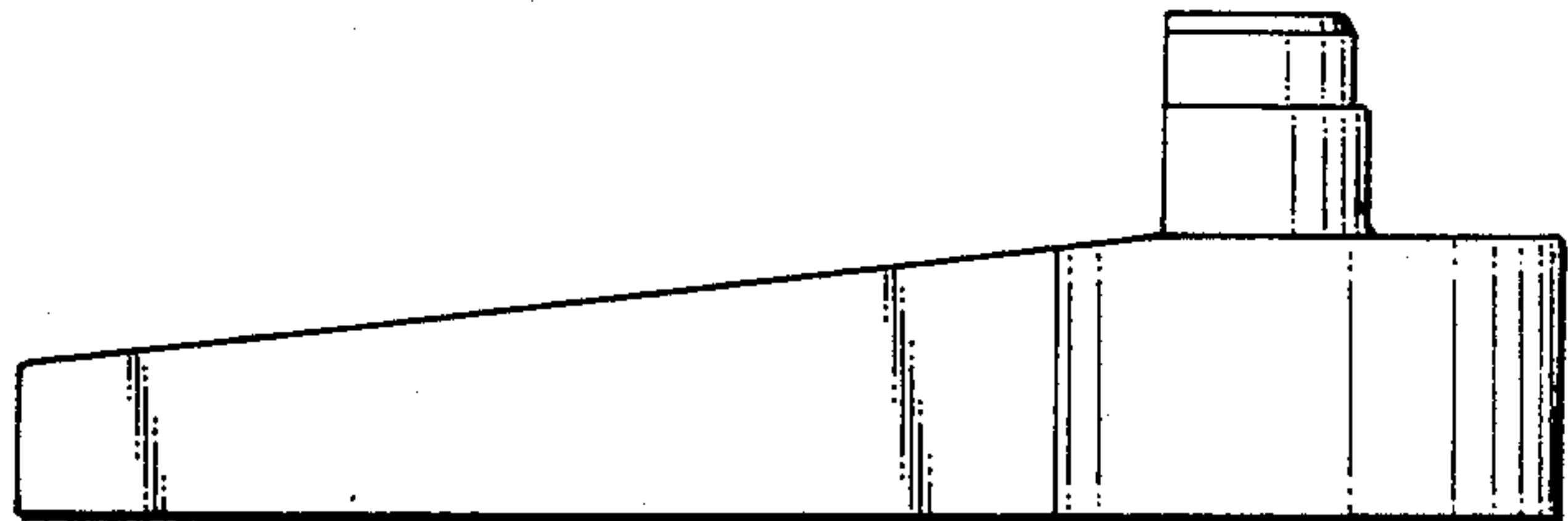


FIG. 4.

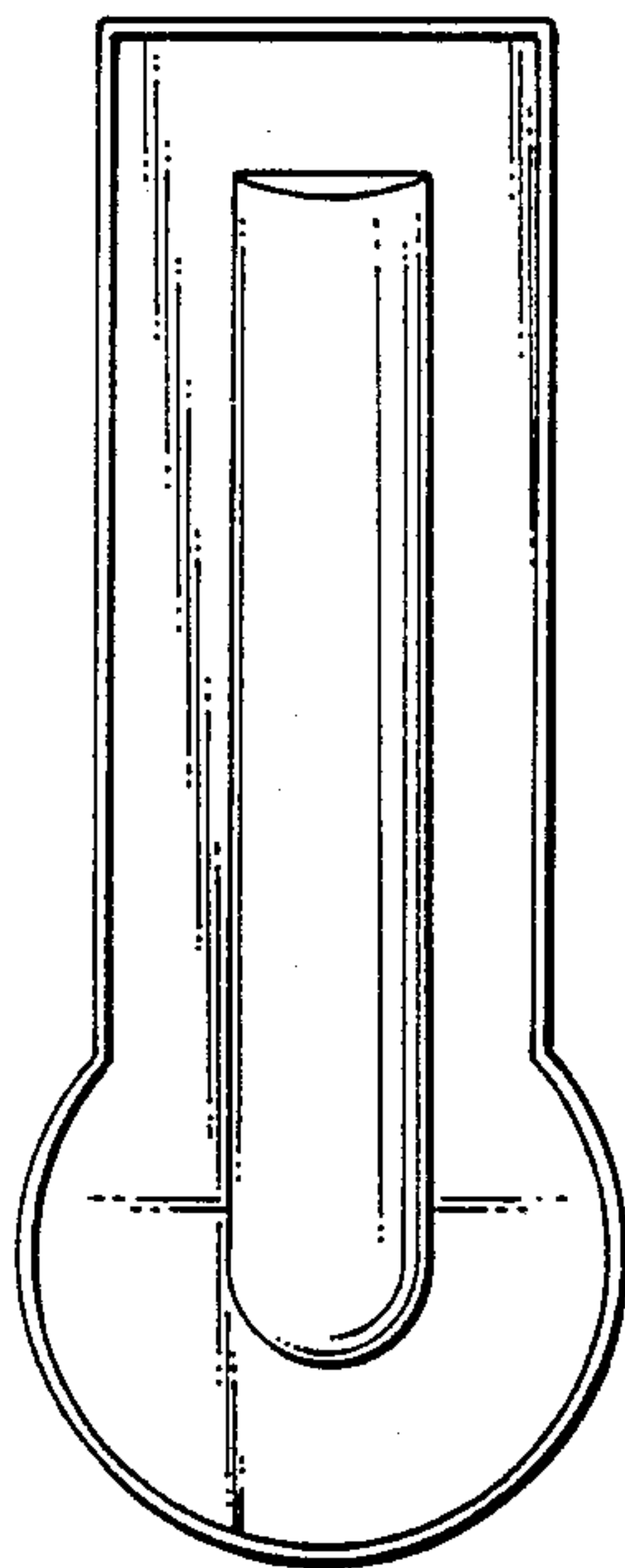


FIG. 6.

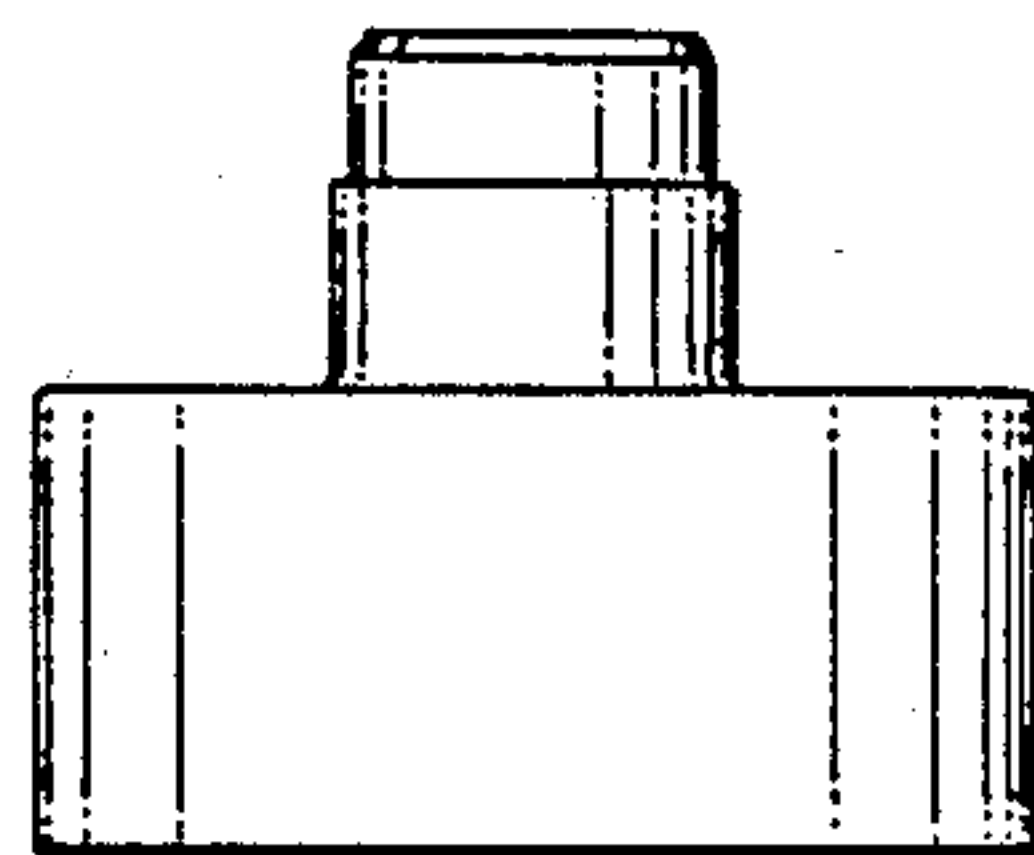


FIG. 5.