

- [54] **Y-INTERSECTION MARBLE RACE TOY**
- [75] **Inventor: Daniel B. Klitsner, San Francisco, Calif.**
- [73] **Assignee: Discovery Toys, Inc., Martinez, Calif.**
- [**] **Term: 14 Years**
- [21] **Appl. No.: 214,712**
- [22] **Filed: Jul. 1, 1988**
- [52] **U.S. Cl. D21/143; D21/59**
- [58] **Field of Search D21/7, 8, 59, 143; 446/168; 273/153 R, 156**

[56] **References Cited**

U.S. PATENT DOCUMENTS

D. 230,291	2/1974	Karen	D21/59
2,729,914	1/1956	Cook	446/168
3,145,501	8/1964	Grosser	446/168
4,713,038	12/1987	Wichman et al.	..	

FOREIGN PATENT DOCUMENTS

2757531 7/1979 Fed. Rep. of Germany .

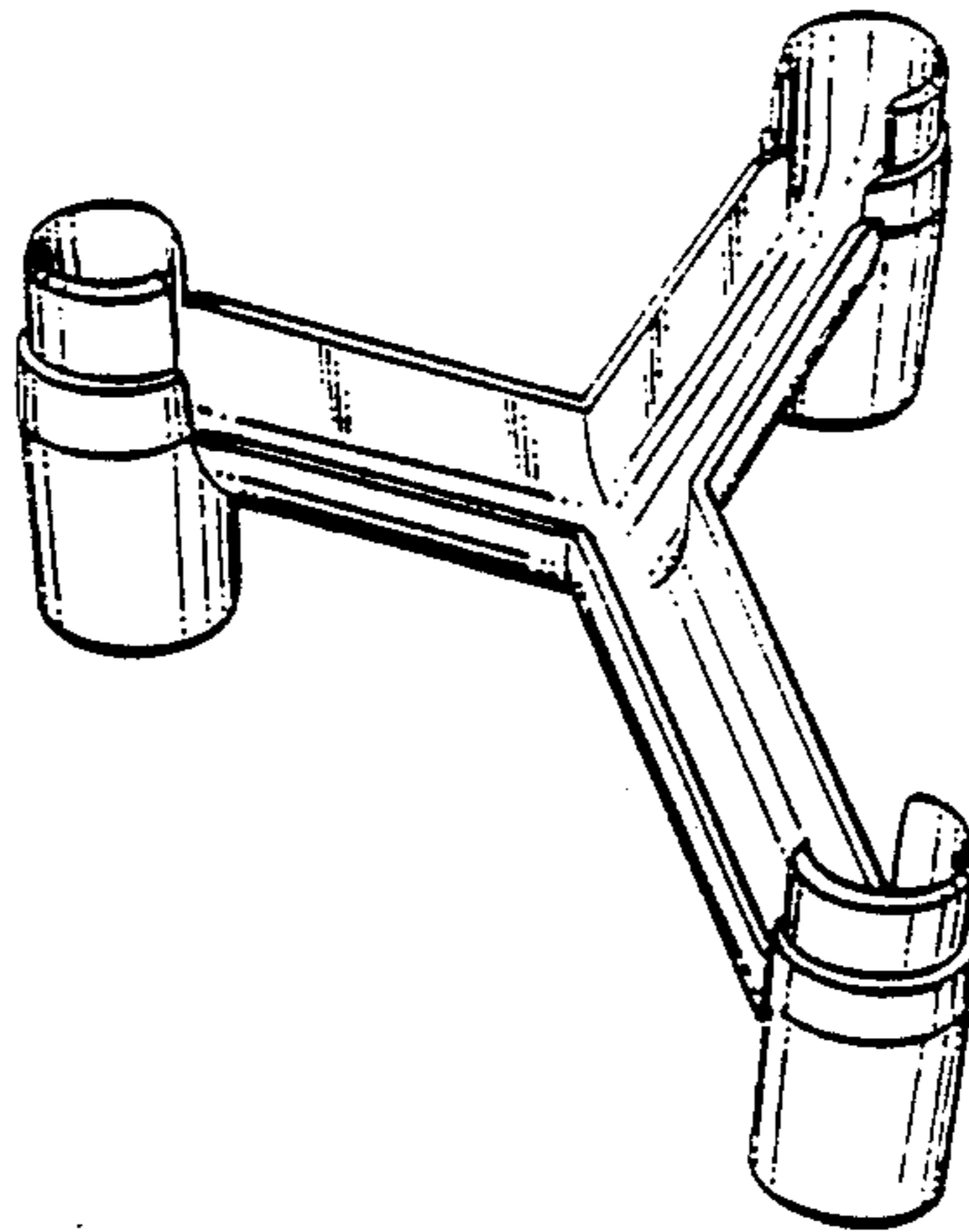
Primary Examiner—Charles A. Rademaker
Assistant Examiner—Alicia A. Farrell
Attorney, Agent, or Firm—Townsend and Townsend

[57] **CLAIM**

The ornamental design for a y-intersection marble race toy, as shown and described.

DESCRIPTION

FIG. 1 is a perspective view of a y-intersection marble race toy showing my new design; FIG. 2 is a top plan view thereof; FIG. 3 is a front elevational view thereof; FIG. 4 is a right side elevational view thereof, the left side elevational view being a mirror image; FIG. 5 is a rear elevational view thereof; and FIG. 6 is a bottom plan view thereof.



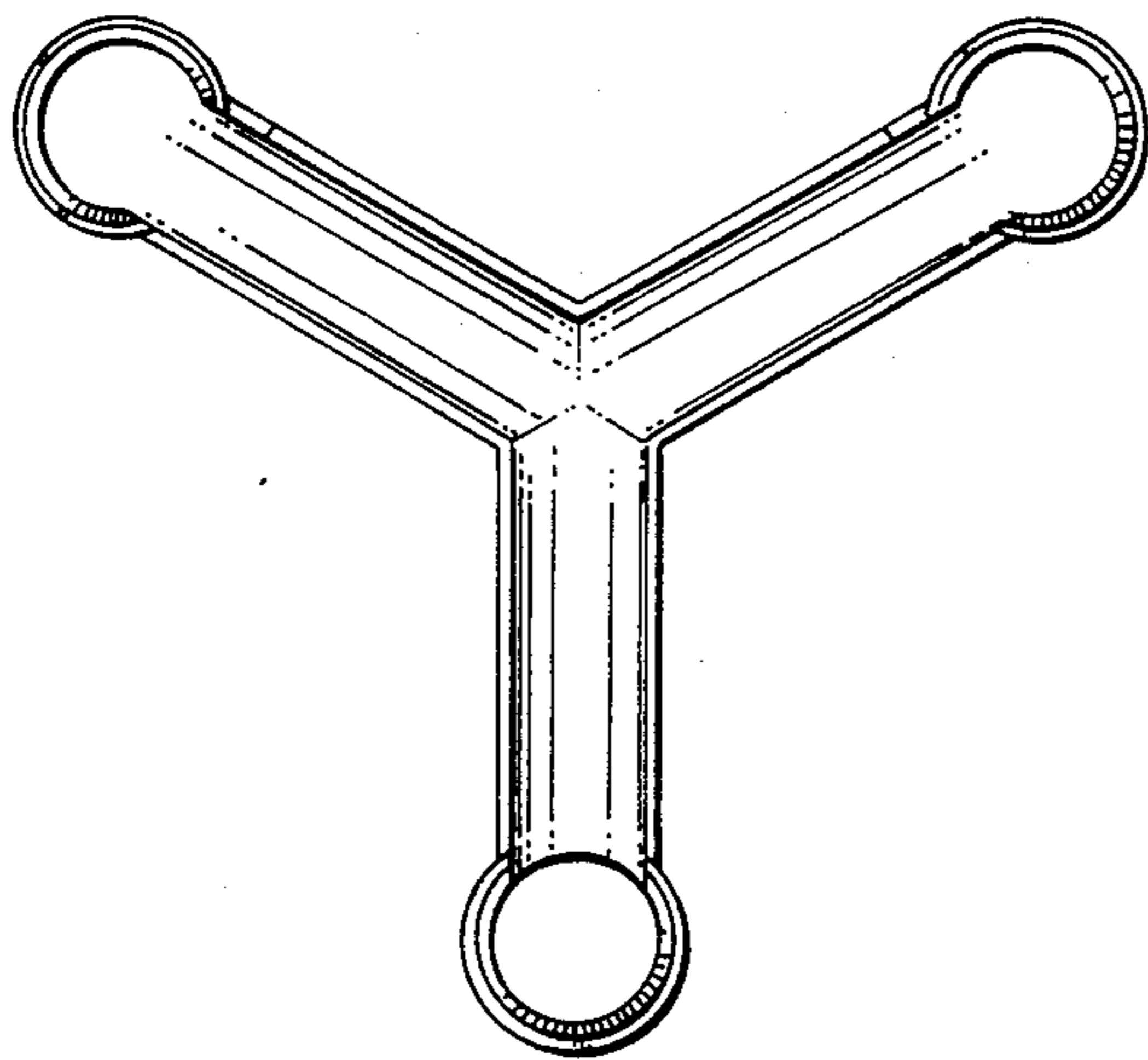


FIG. 2.

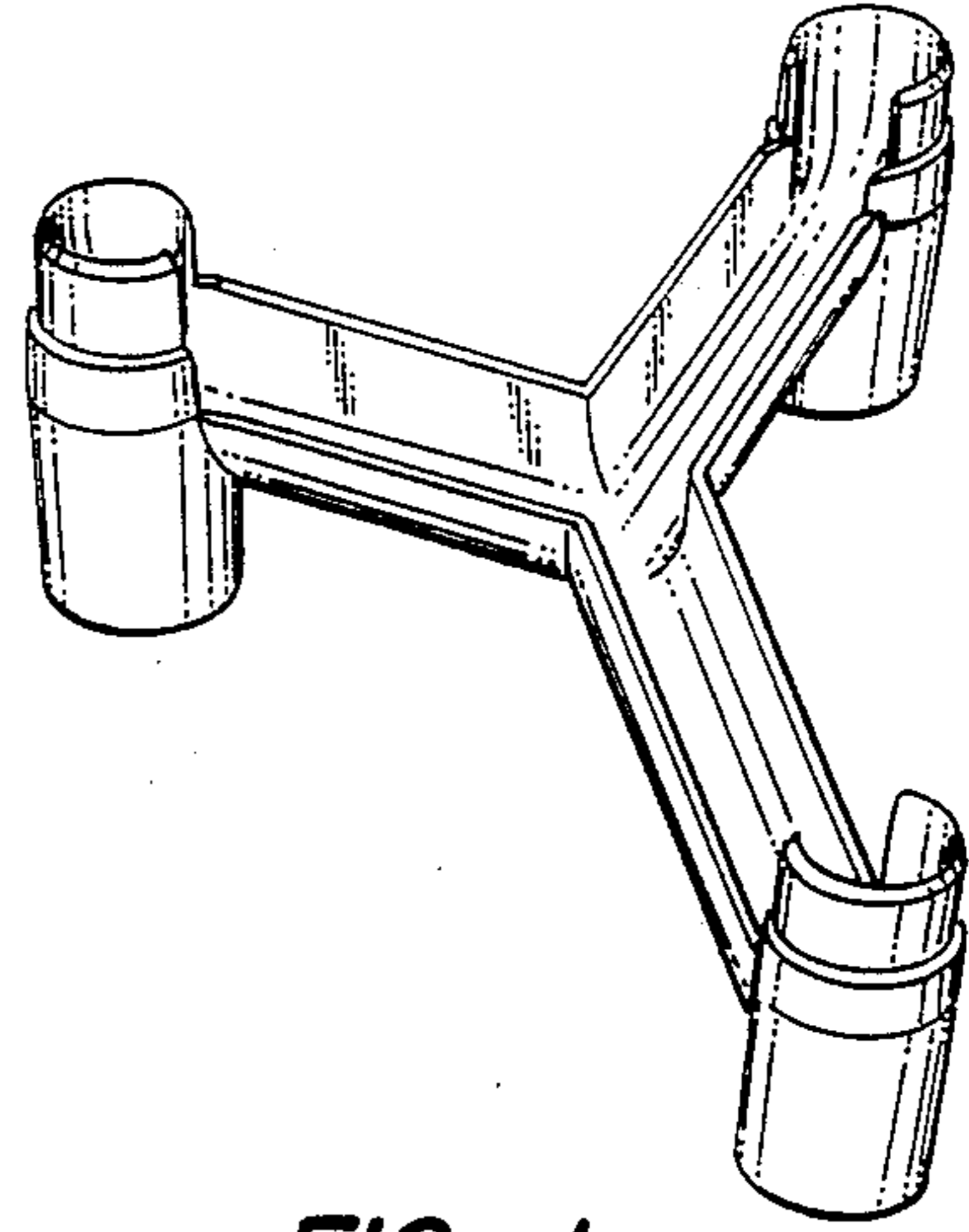


FIG. 1.

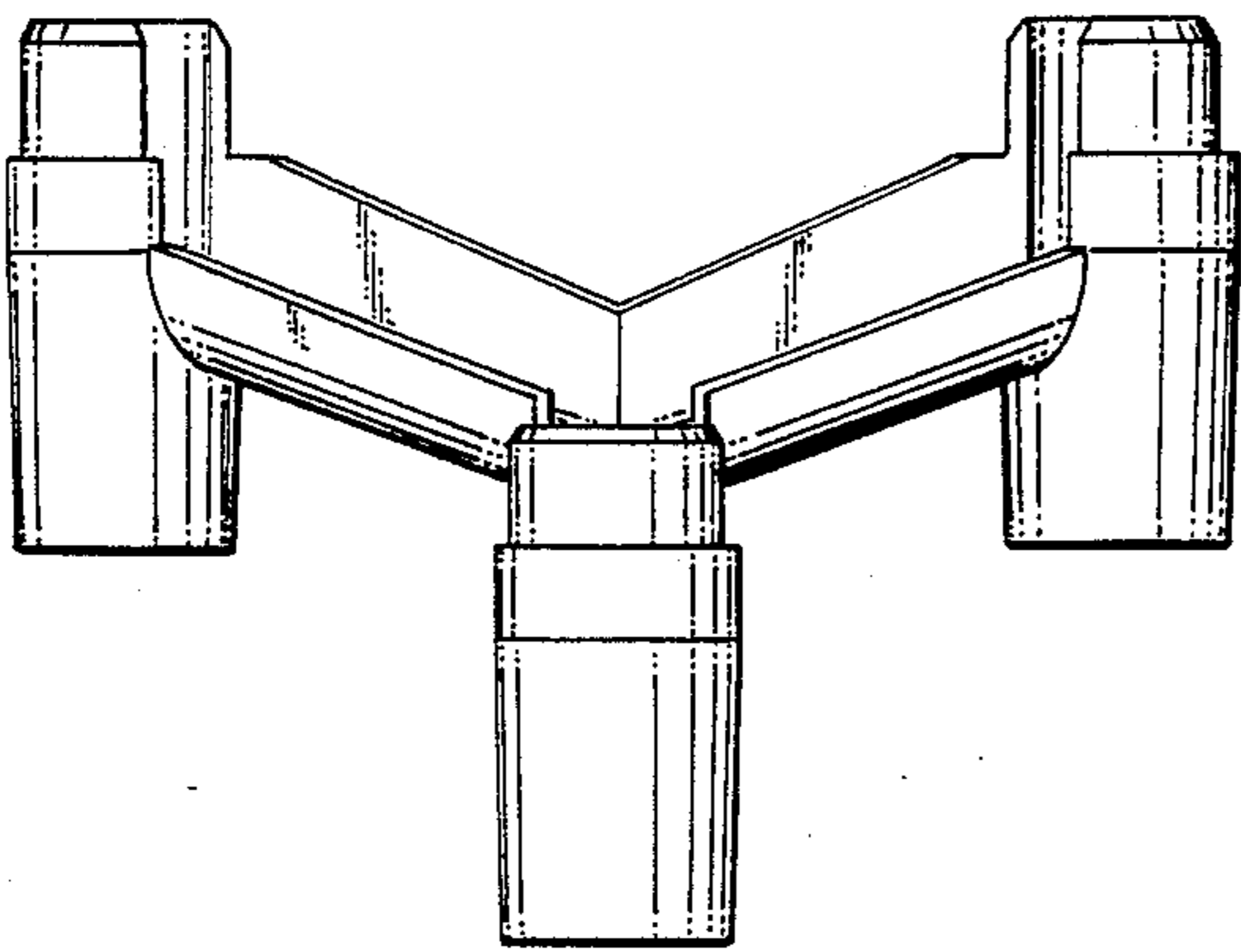


FIG. 3.

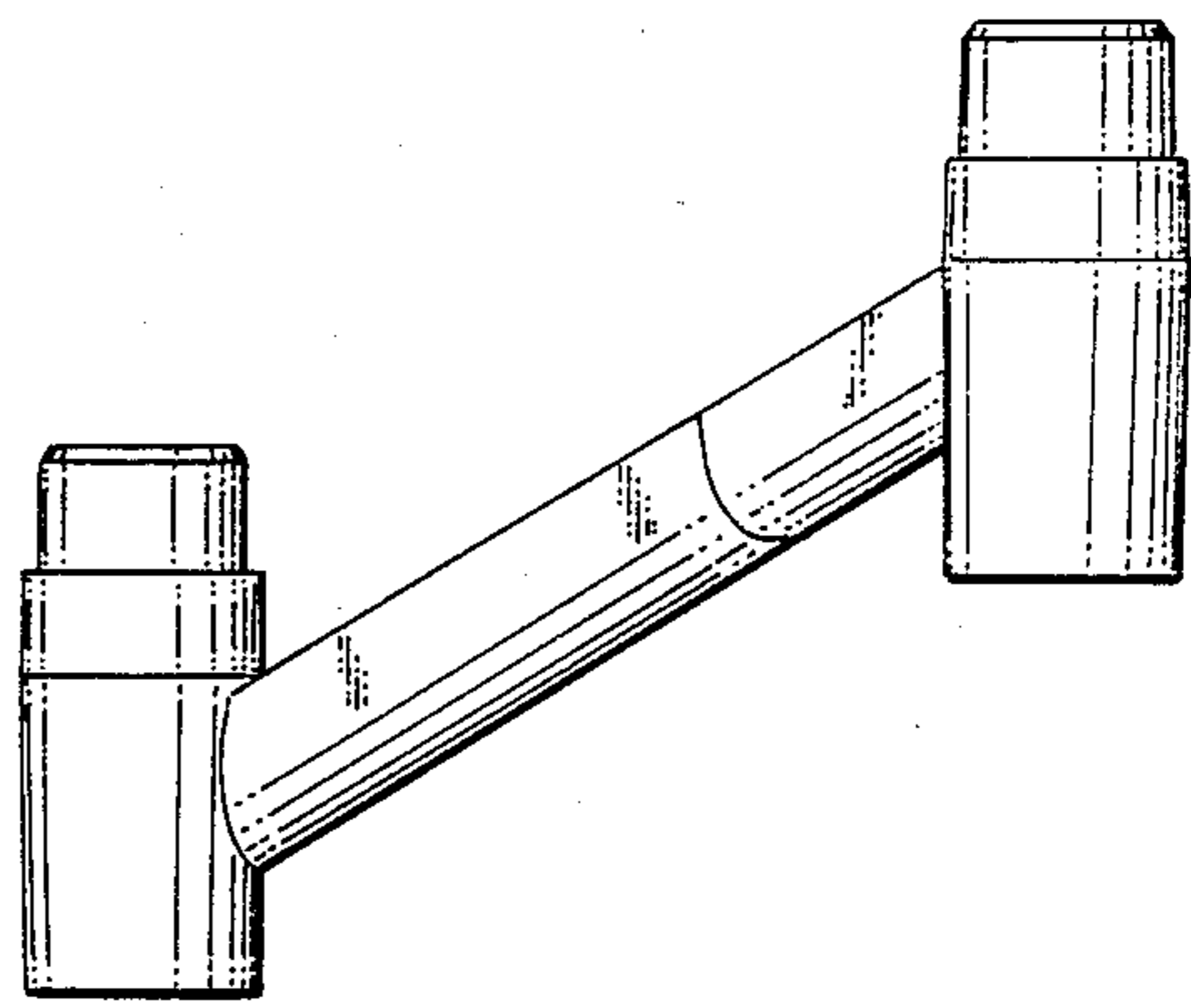


FIG. 4.

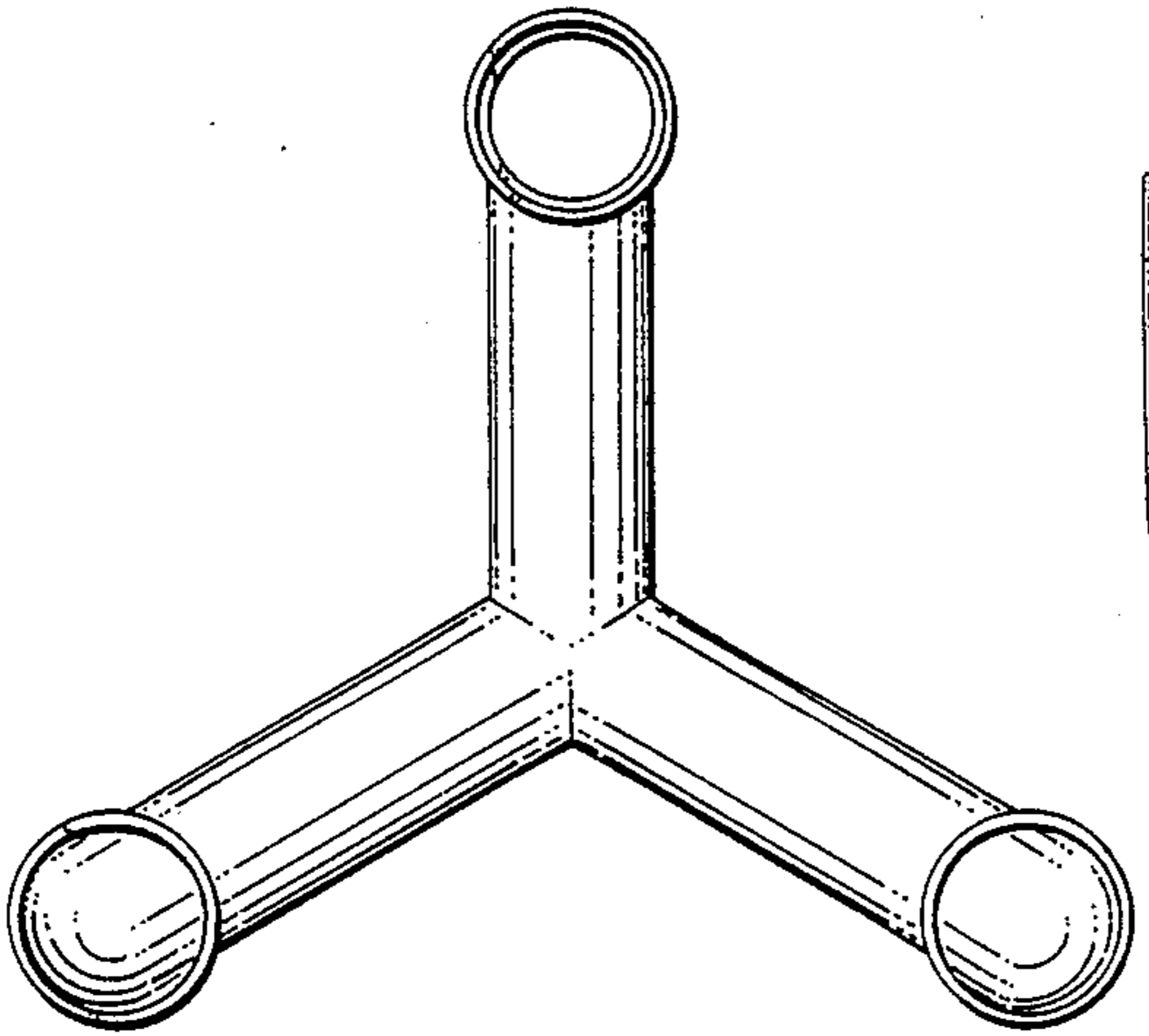


FIG. 6.

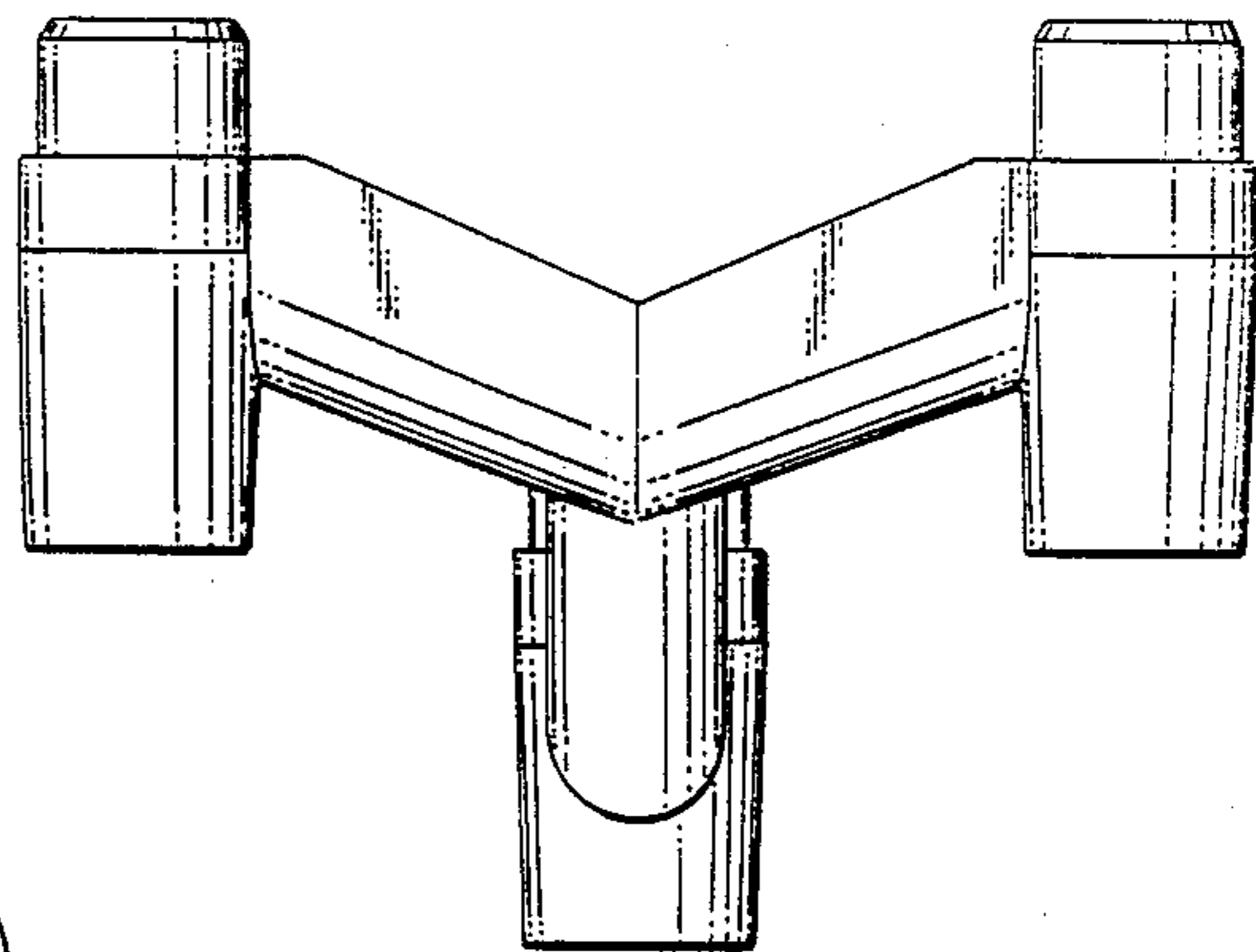


FIG. 5.