

United States Patent [19]

Gromer, Jr.

[11] Patent Number: Des. 305,037

[45] Date of Patent: ** Dec. 12, 1989

[54] TAPE DISPENSER

[75] Inventor: Robert D. Gromer, Jr., Wyandotte County, Kans.

[73] Assignee: Goldblatt Tool Co., Kansas City, Kans.

[**] Term: 14 Years

[21] Appl. No.: 857,792

[22] Filed: Apr. 25, 1986

[52] U.S. Cl. D19/69; D8/51

[58] Field of Search D8/14, 45, 51;
D19/67-69; 225/6; 206/389, 400, 411;
156/230, 579

[56] **References Cited**

U.S. PATENT DOCUMENTS

- D. 202,928 11/1965 Leibow D8/51
- D. 227,810 7/1973 Boyce D8/51
- D. 262,291 12/1981 Bopst, III D8/14

- D. 280,738 9/1985 Grassi D18/19
- D. 283,631 4/1986 Miller et al. D18/19

OTHER PUBLICATIONS

Sporty's Tool Shop Catalog, Sep. thru Dec. 1984, p. 34, "Rolotape"—top left of page.

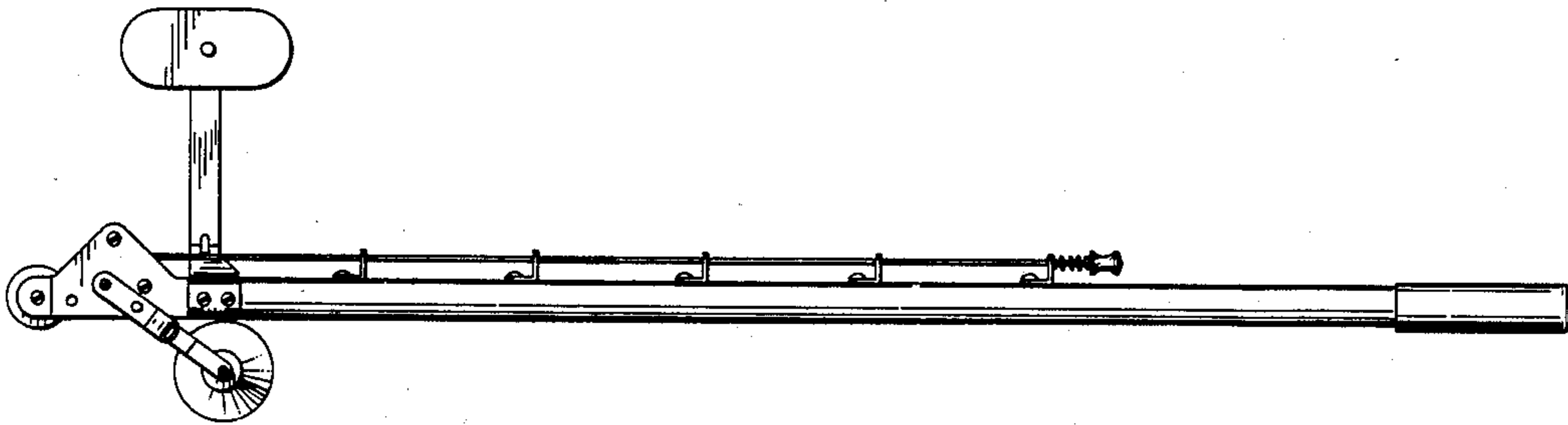
Primary Examiner—Bruce W. Dunkins
Assistant Examiner—Clare E. Heflin
Attorney, Agent, or Firm—Kirkland & Ellis

[57] **CLAIM**

The ornamental design for a tape dispenser, as shown and described.

DESCRIPTION

FIG. 1 is a left side elevational view of a tape dispenser showing my new design;
FIG. 2 is a right side elevational view thereof;
FIG. 3 is a front elevational view thereof;
FIG. 4 is a rear elevational view thereof;
FIG. 5 is a top plan view thereof; and
FIG. 6 is a bottom plan view thereof.



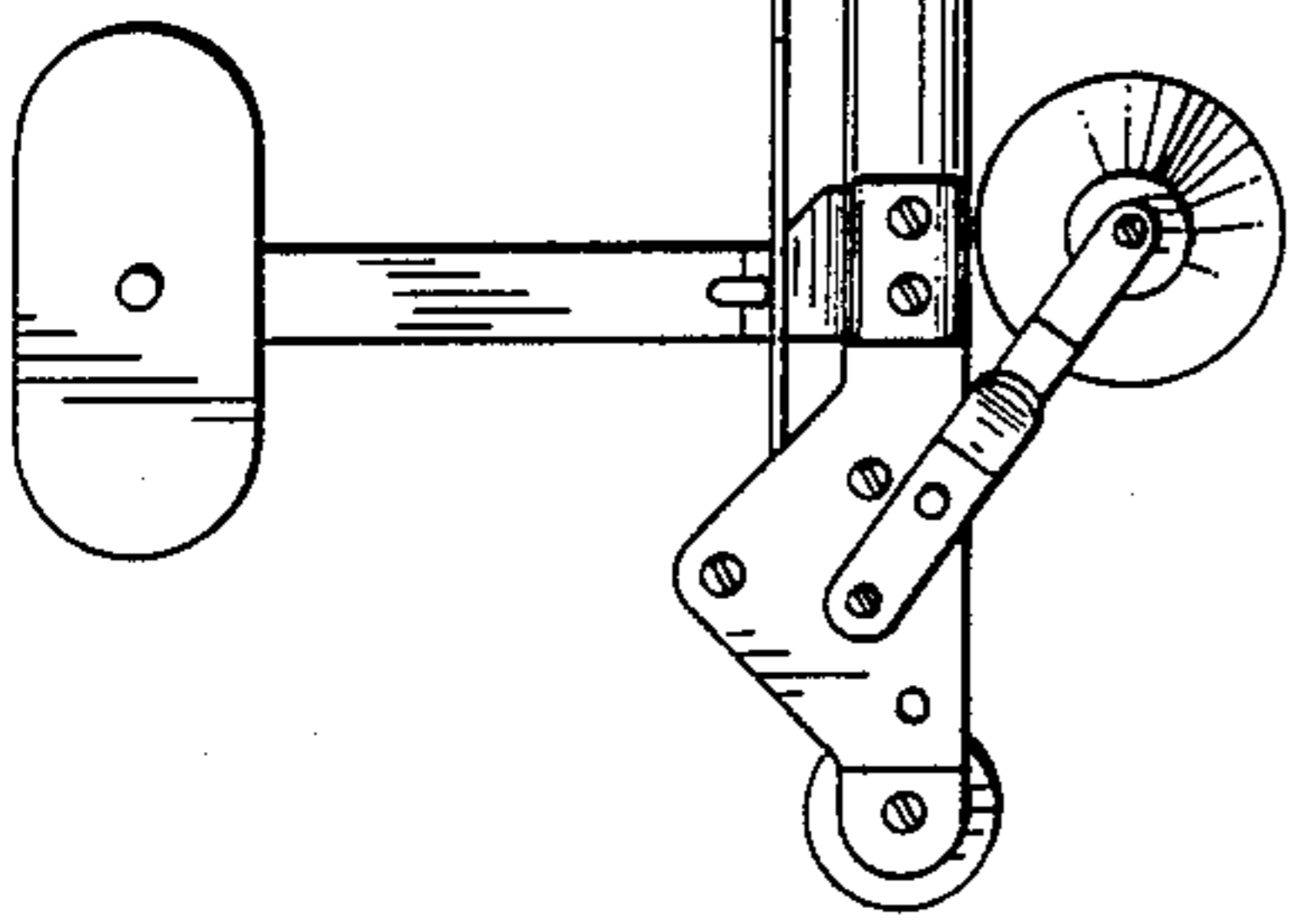


Fig. 1.

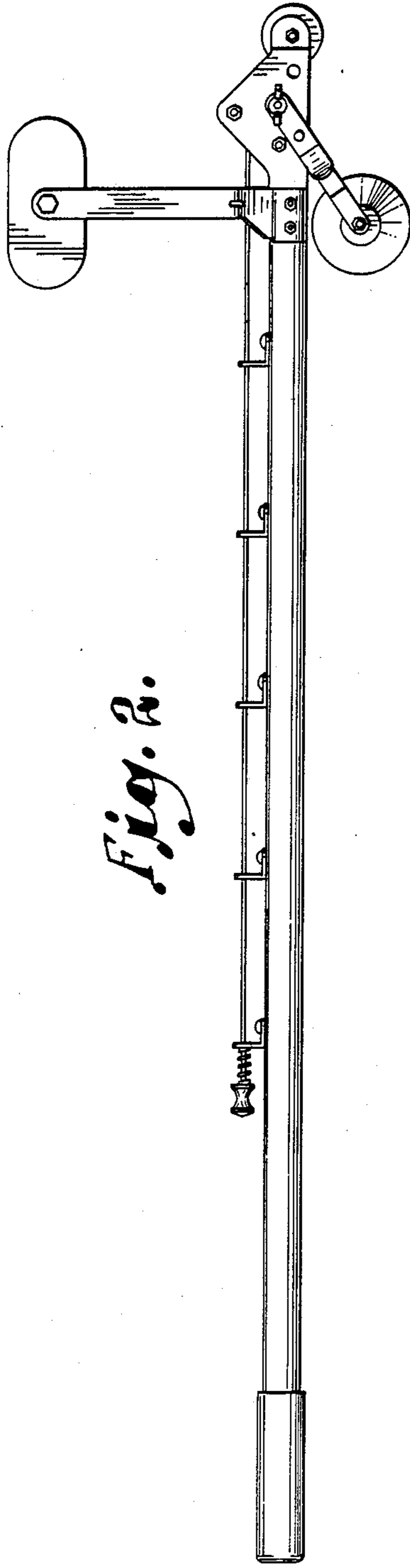


Fig. 2.

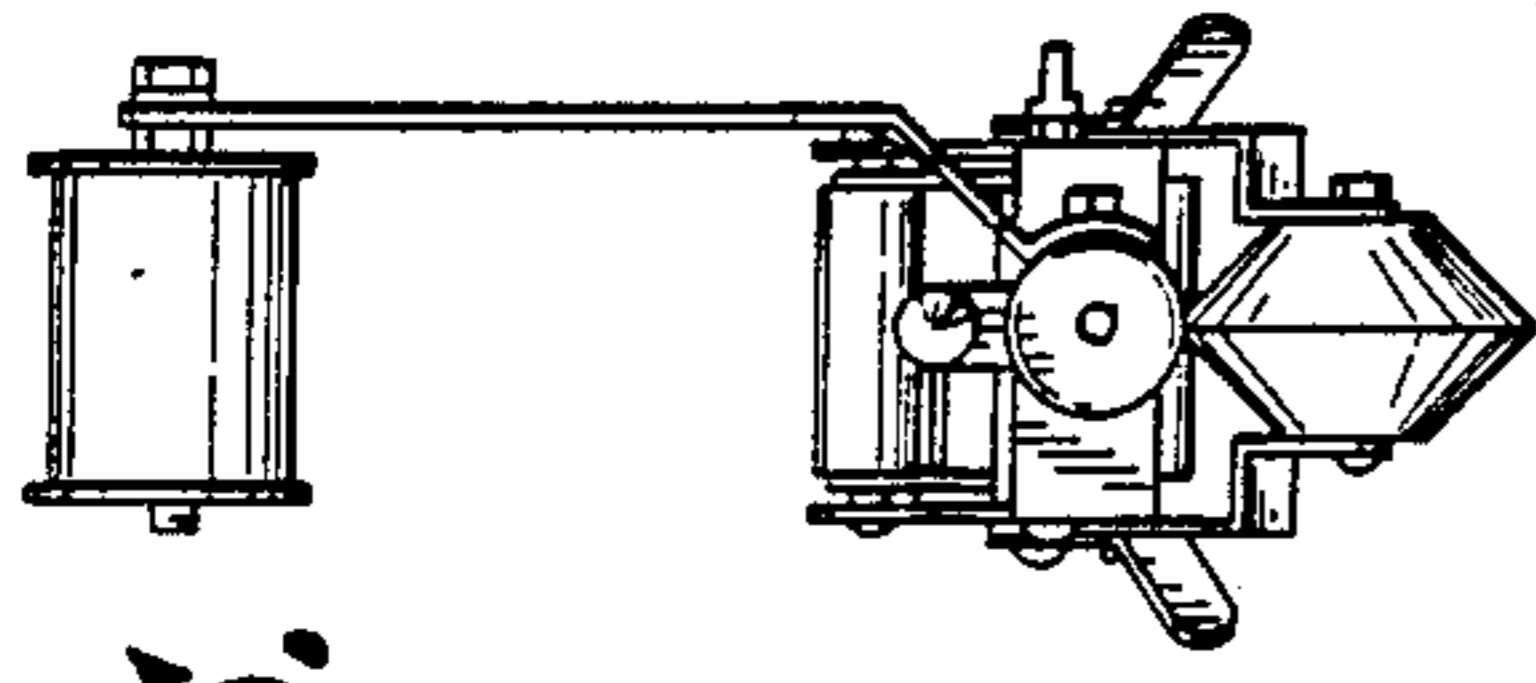


Fig. 3.

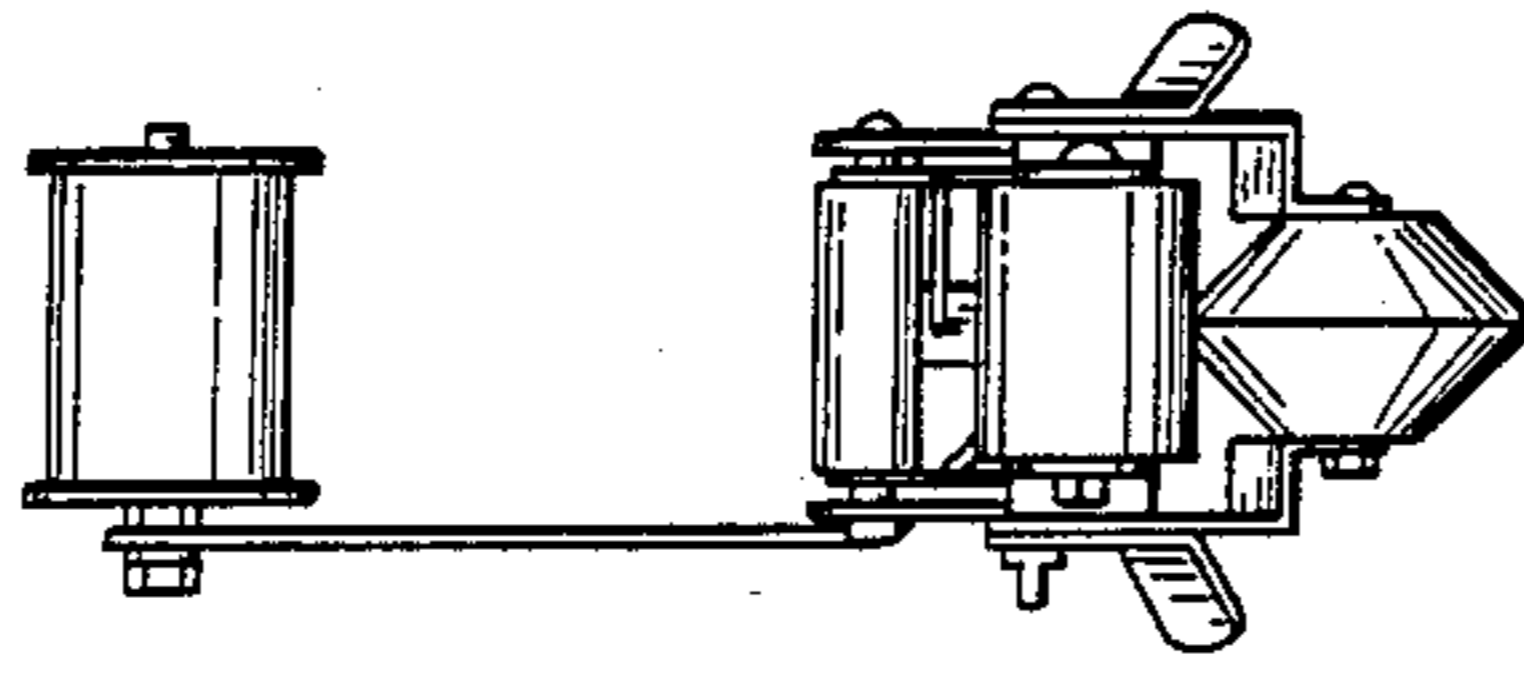


Fig. 4.

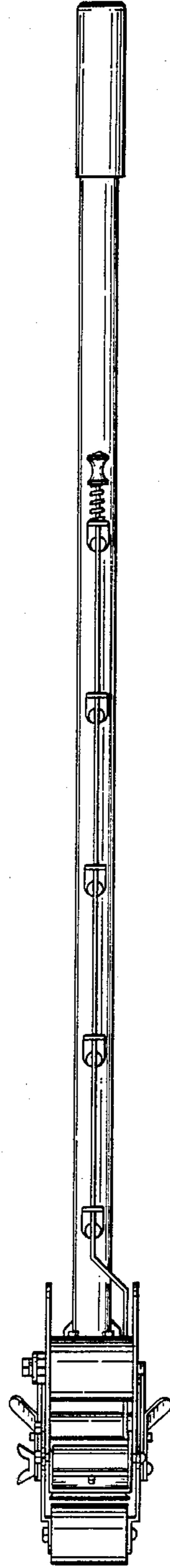


Fig. 5.

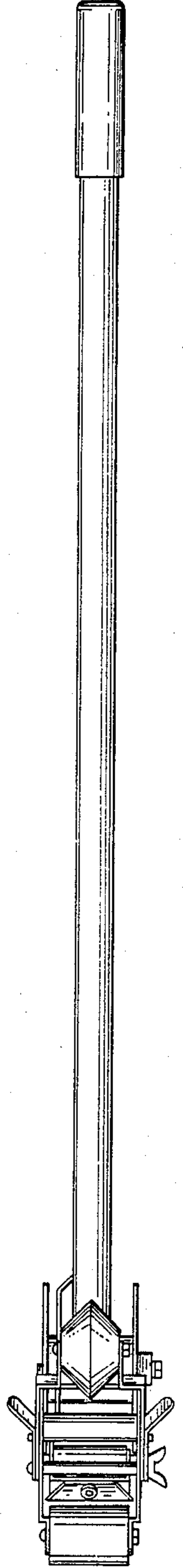


Fig. 6.