

[54] COMPUTER PAPER TRAY

[75] Inventors: Jac H. Yon, Houston, Tex.; Brad Nemeth, San Francisco, Calif.

[73] Assignee: Wendell R. Brooks, Inc., Ft. Worth, Tex.

[\*\*] Term: 14 Years

[21] Appl. No.: 943,587

[22] Filed: Dec. 19, 1986

[52] U.S. Cl. .... D18/22; D14/114; D19/92

[58] Field of Search ..... D18/12, 22, 23; D14/110-114; D19/92; 211/45, 50, 88, 90, 187, 126; 248/1 B, 172, 441.1, 447.2; 355/200

[56] References Cited

U.S. PATENT DOCUMENTS

- D. 275,771 10/1984 Evans ..... D19/92
- D. 290,717 7/1987 Judd ..... D18/23
- D. 300,152 3/1989 Levenberg ..... D19/92
- 1,921,462 8/1933 Graham ..... 211/88

- 3,239,272 3/1966 Wilkins ..... 211/88
- 3,301,406 1/1967 Scott ..... 211/88
- 4,357,881 11/1982 De Long ..... 211/88
- 4,588,095 5/1986 Mehra ..... 211/126

FOREIGN PATENT DOCUMENTS

- 0168899 7/1934 Switzerland ..... 211/90

Primary Examiner—Nelson C. Holtje  
Assistant Examiner—Caron D. Veynar

[57] CLAIM

The ornamental design for a computer paper tray, as shown.

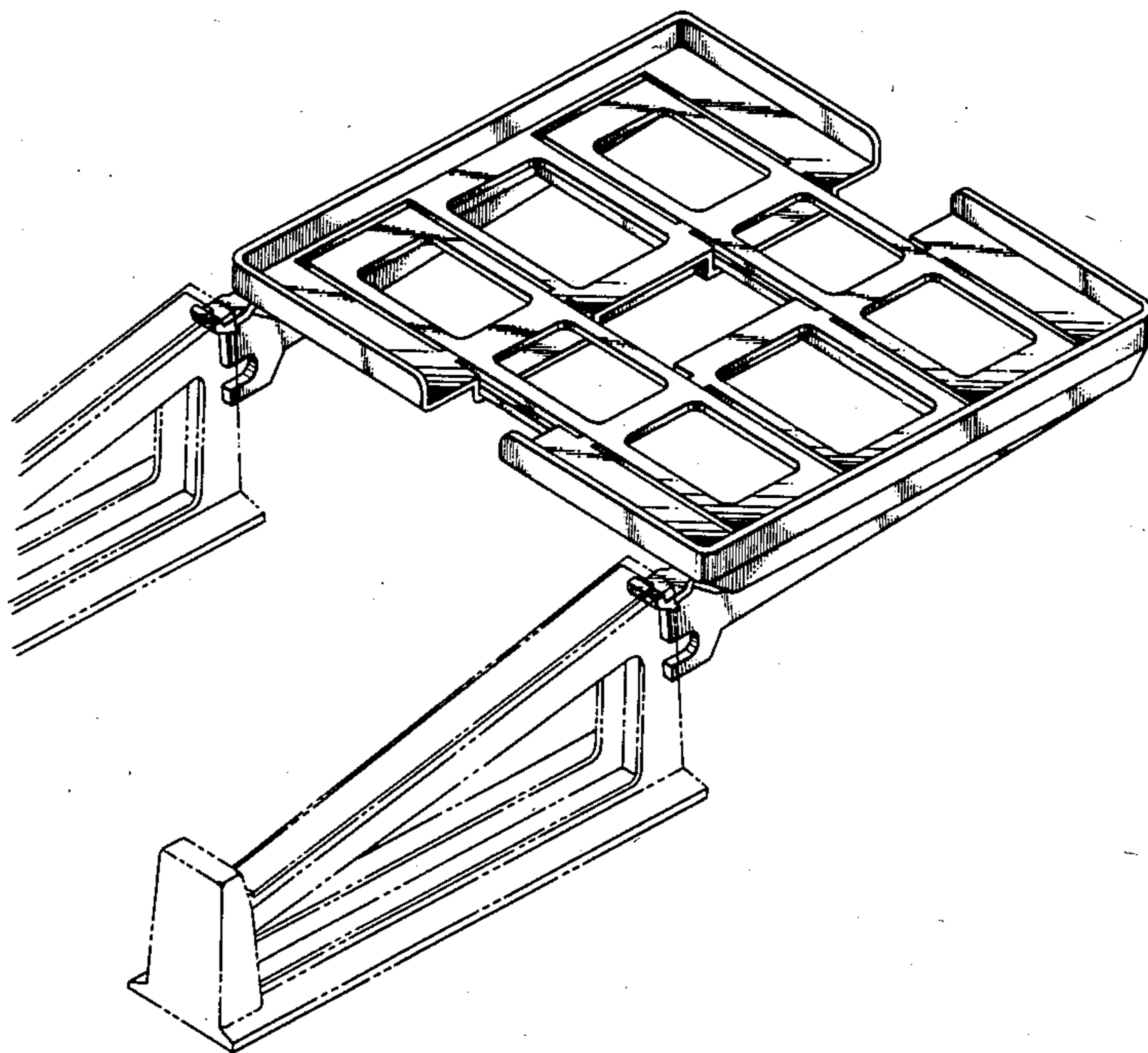
DESCRIPTION

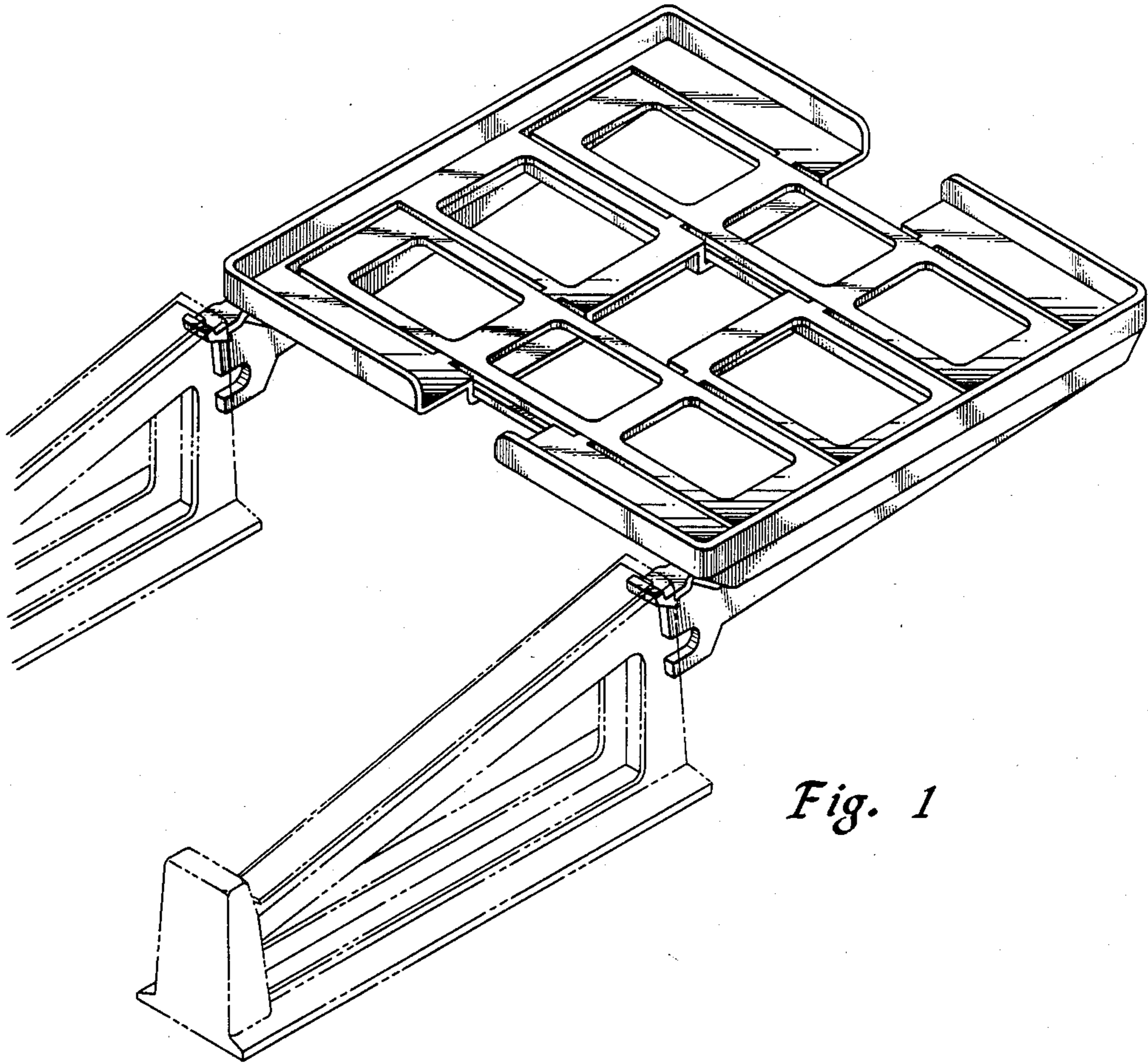
FIG. 1 is a top, rear perspective view of a computer paper tray showing my new design, the broken lines showing two supports are environmental only and form no part of the claimed design;

FIG. 2 is a rear elevational view thereof;

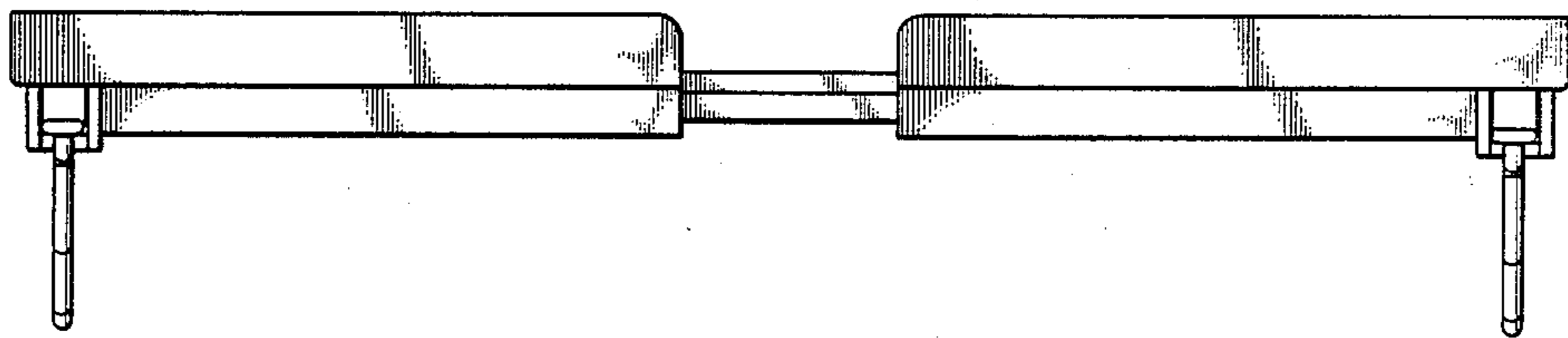
FIG. 3 is a left side elevational view thereof, the right side elevational view being a mirror image thereof;

FIG. 4 is a bottom plan view thereof.

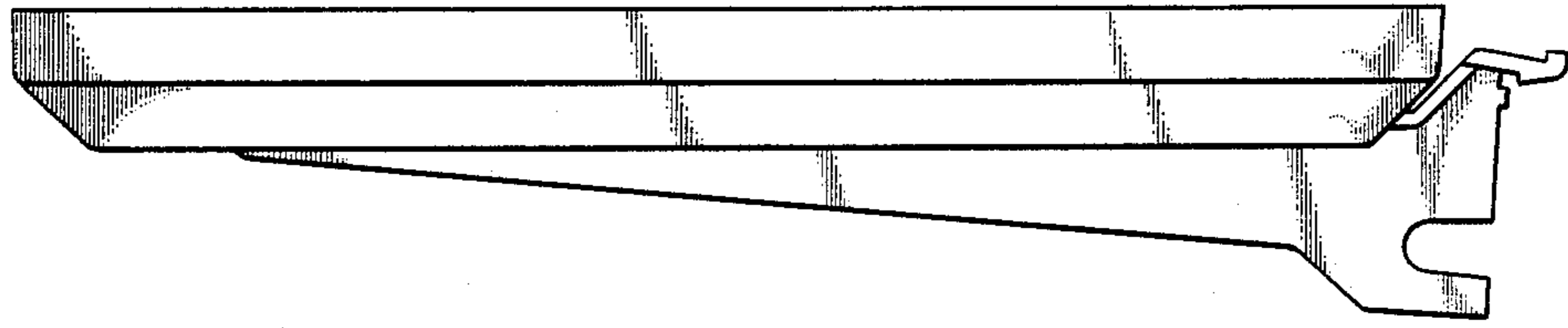




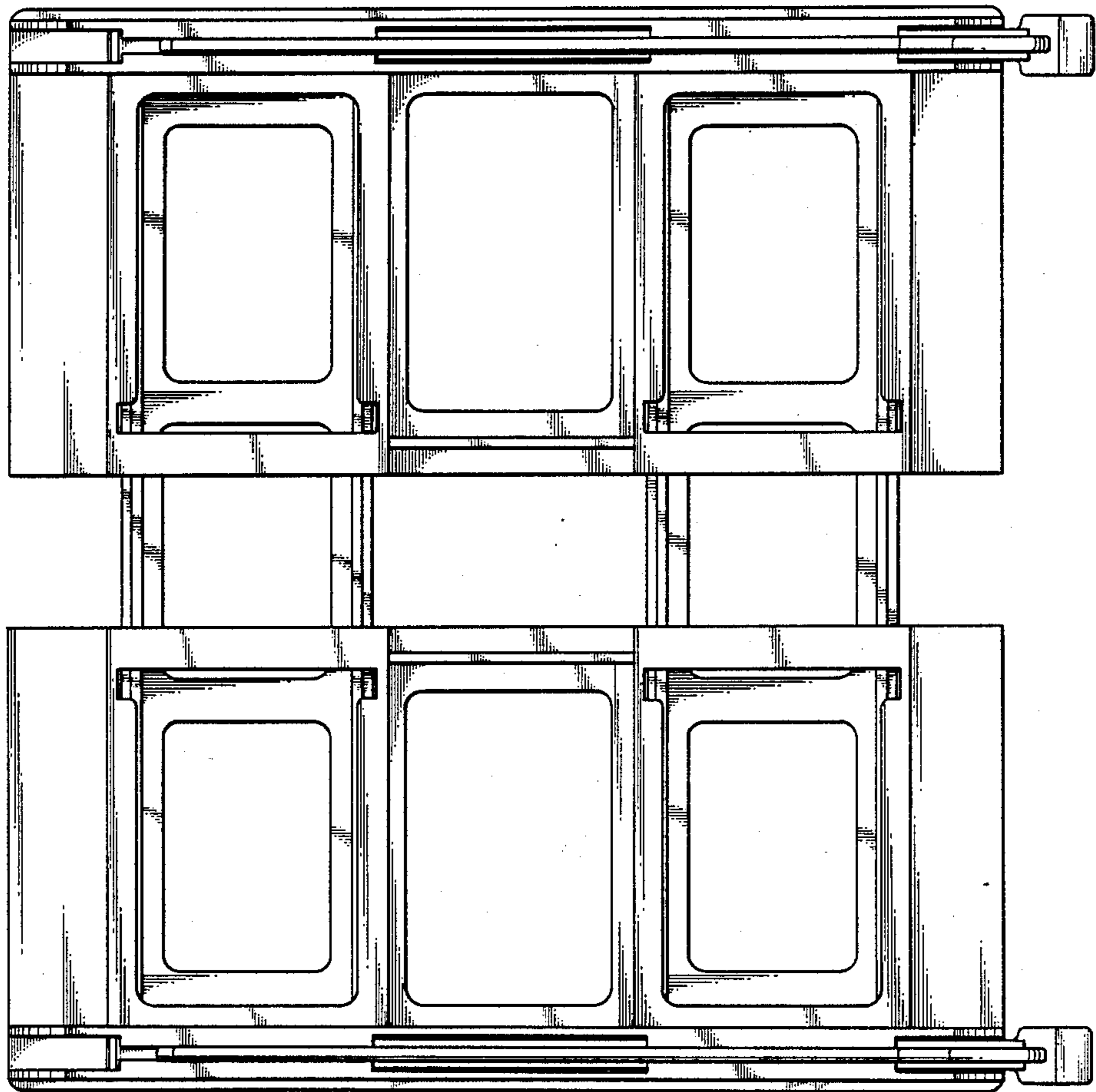
*Fig. 1*



*Fig. 2*



*Fig. 3*



*Fig. 4*