

[54] COMBINED VIDEO TAPE RECORDER AND CAMERA

D. 288,811 3/1987 Kurokawa et al. D16/202
D. 294,570 3/1988 Kurokawa et al. D16/202

[75] Inventors: Takanori Nishiyama, Koganei;
Shigeki Masatsugu, Sayama; Kouji
Suso; Yukinobu Ichkiawa, both of
Tokyo, all of Japan

[73] Assignee: Hitachi, Ltd., Tokyo, Japan

[**] Term: 14 Years

[21] Appl. No.: 899,429

[22] Filed: Aug. 22, 1986

[30] Foreign Application Priority Data

May 6, 1986 [JP] Japan 61/16519

[52] U.S. Cl. D16/202

[58] Field of Search D16/200, 202, 205, 208;
352/34, 242, 243; 354/82, 193; 358/229, 206

[56] References Cited

U.S. PATENT DOCUMENTS

D. 223,410 4/1972 Larson D16/202
D. 284,082 6/1986 Masatsugu et al. D16/202

OTHER PUBLICATIONS

Evans Catalog 1984-1985, p. 338, Item #13.

Primary Examiner—Bernard Ansher
Assistant Examiner—Adir Aronovich
Attorney, Agent, or Firm—Antonelli, Terry & Wands

[57] CLAIM

The ornamental design for a combined video tape recorder and camera, as shown.

DESCRIPTION

FIG. 1 is a front, top and right side elevational perspective view of a combined video tape recorder and camera showing our new design;
FIG. 2 is a rear, top and left side elevational perspective view thereof;
FIG. 3 is a front elevational view thereof;
FIG. 4 is a rear elevational view thereof;
FIG. 5 is a right side elevational view thereof;
FIG. 6 is a left side elevational view thereof;
FIG. 7 is a top plan view thereof; and
FIG. 8 is a bottom plan view thereof.

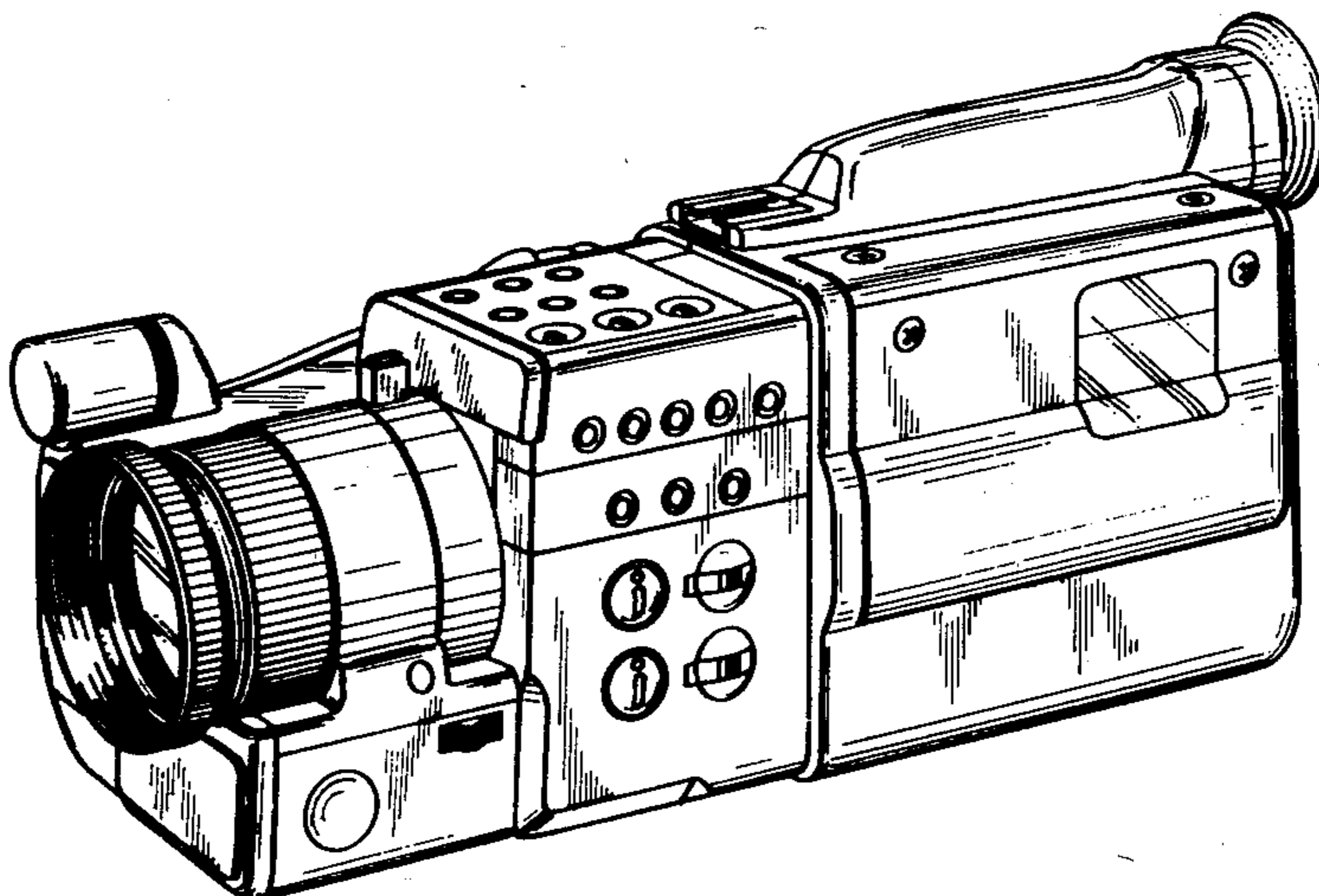


FIG. 1

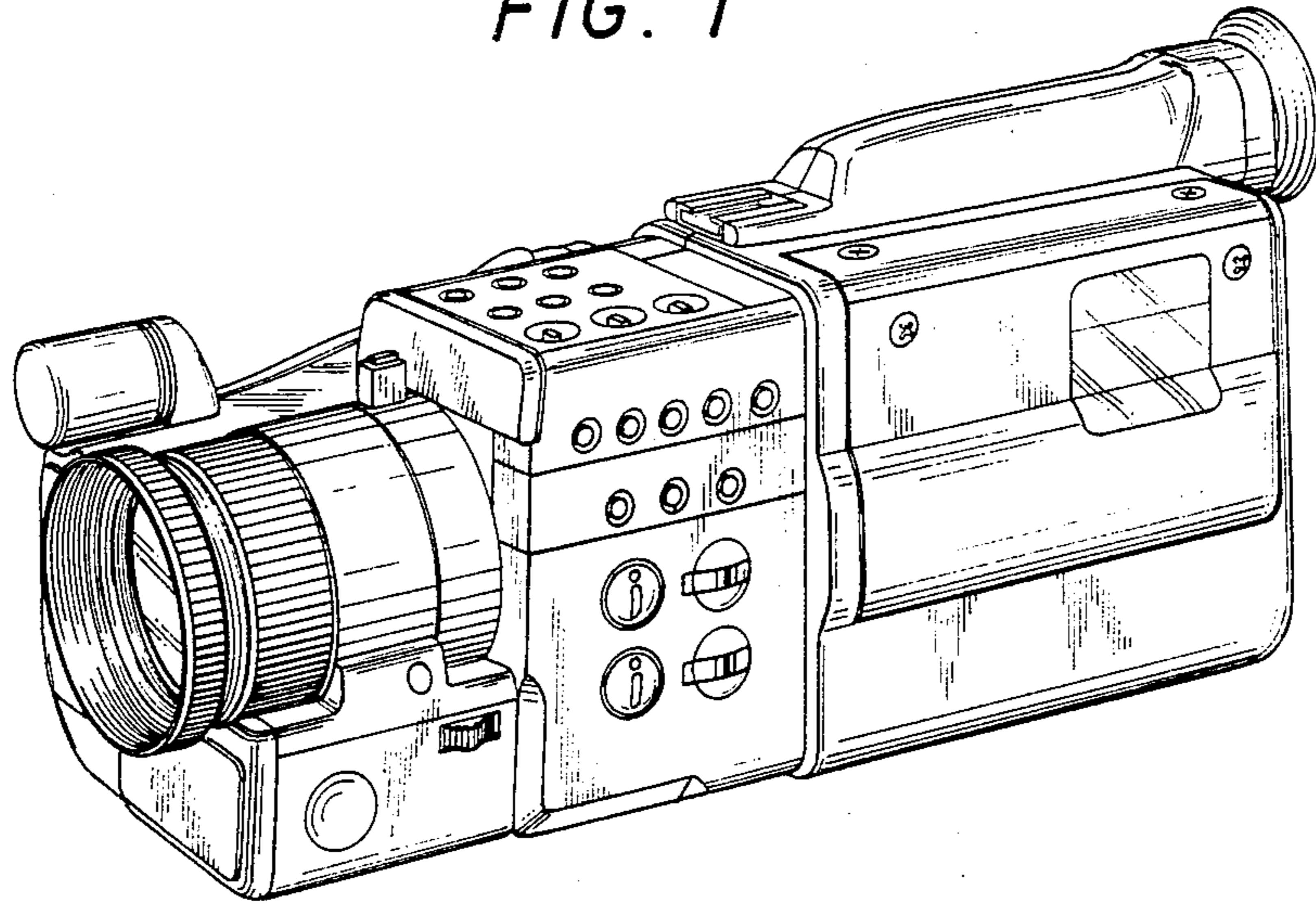


FIG. 2

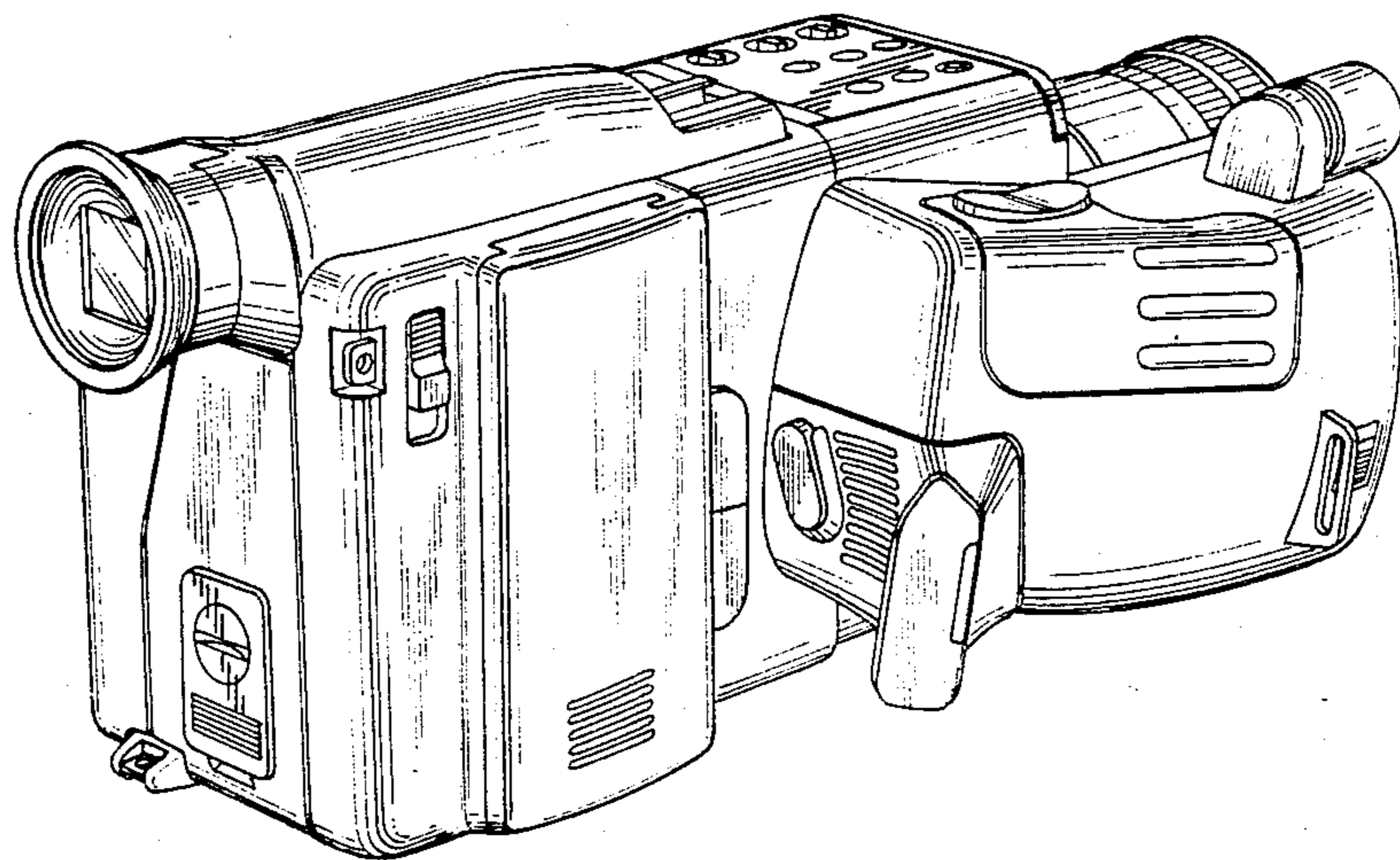


FIG. 3

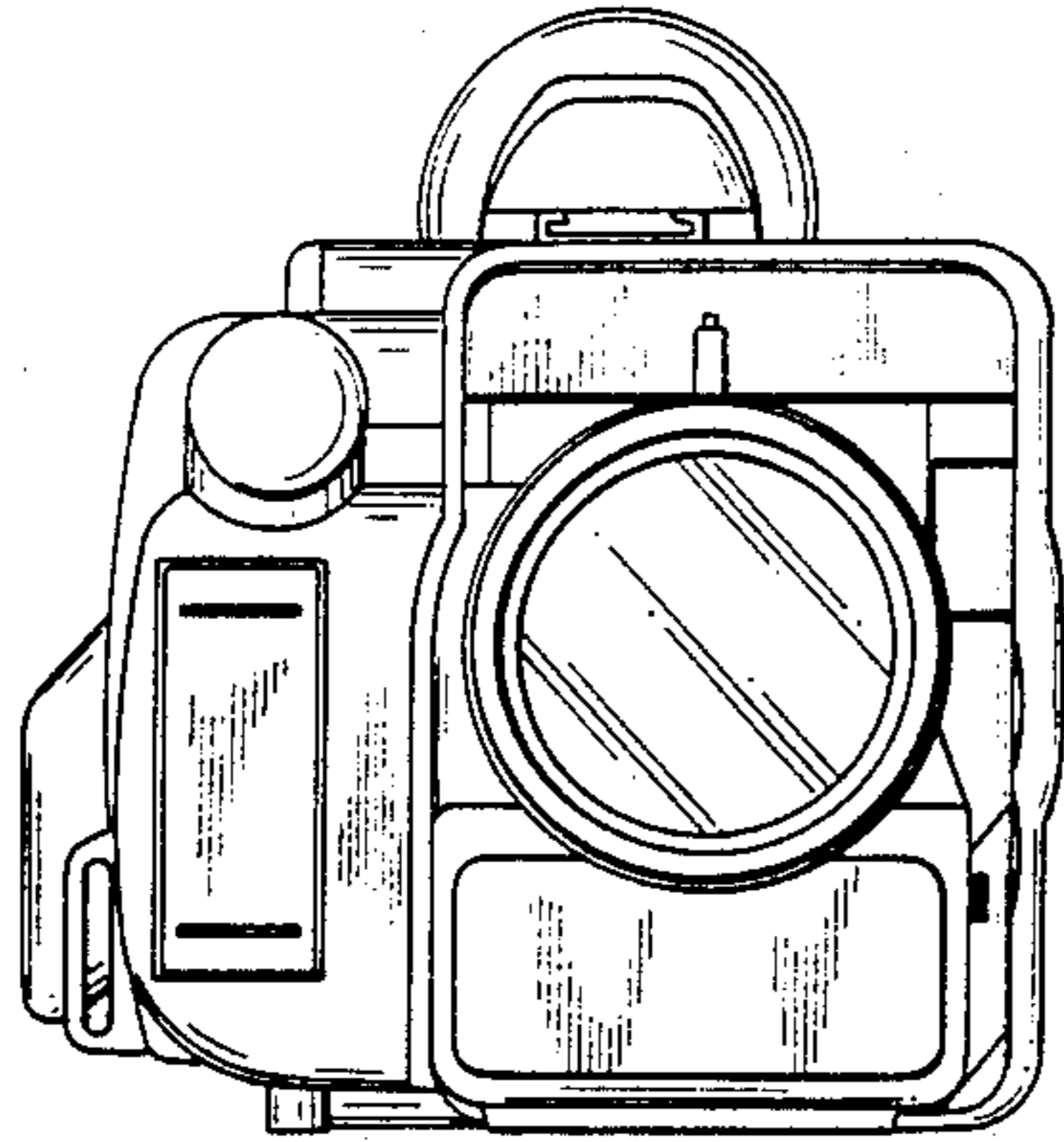


FIG. 4

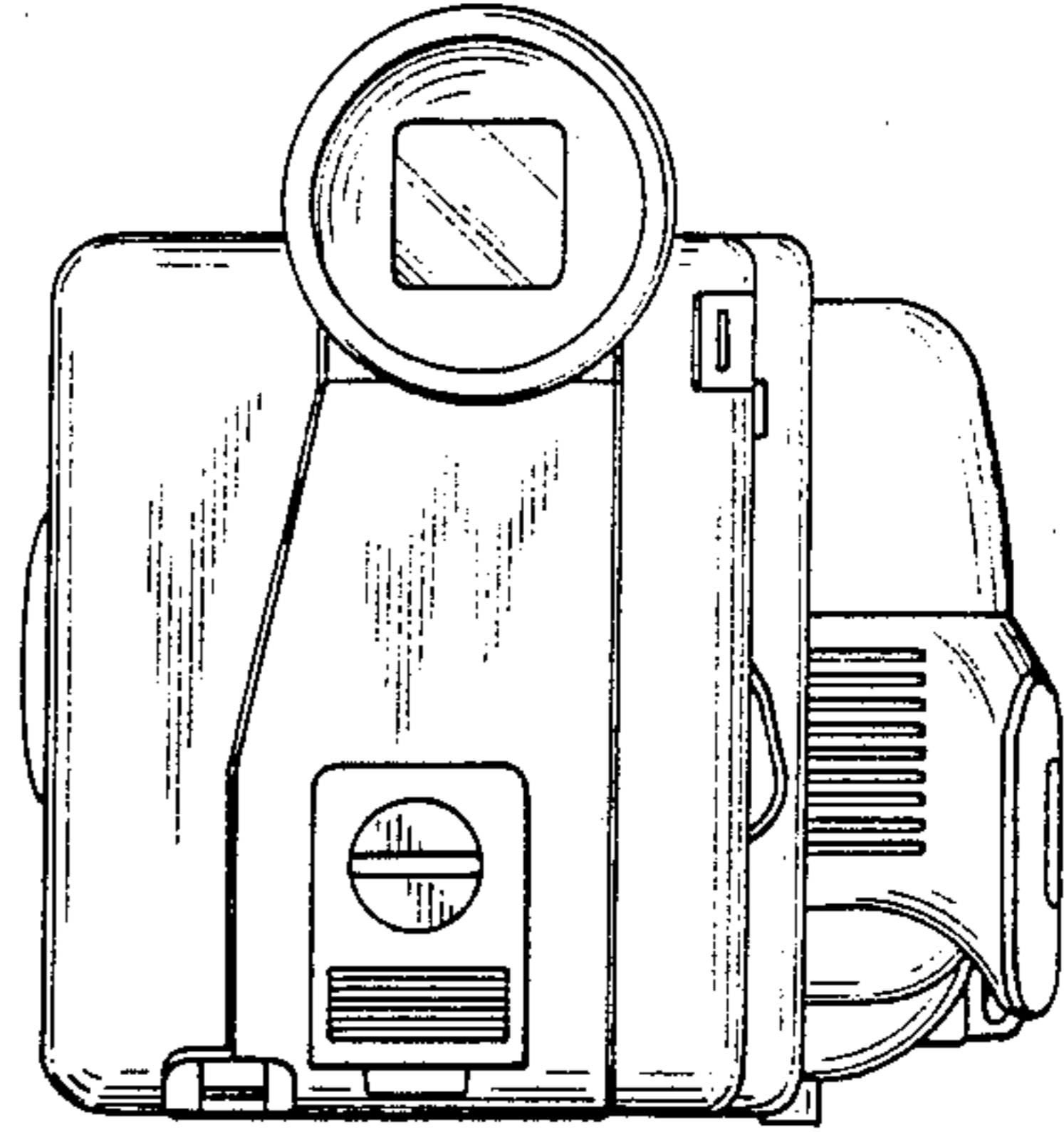


FIG. 5

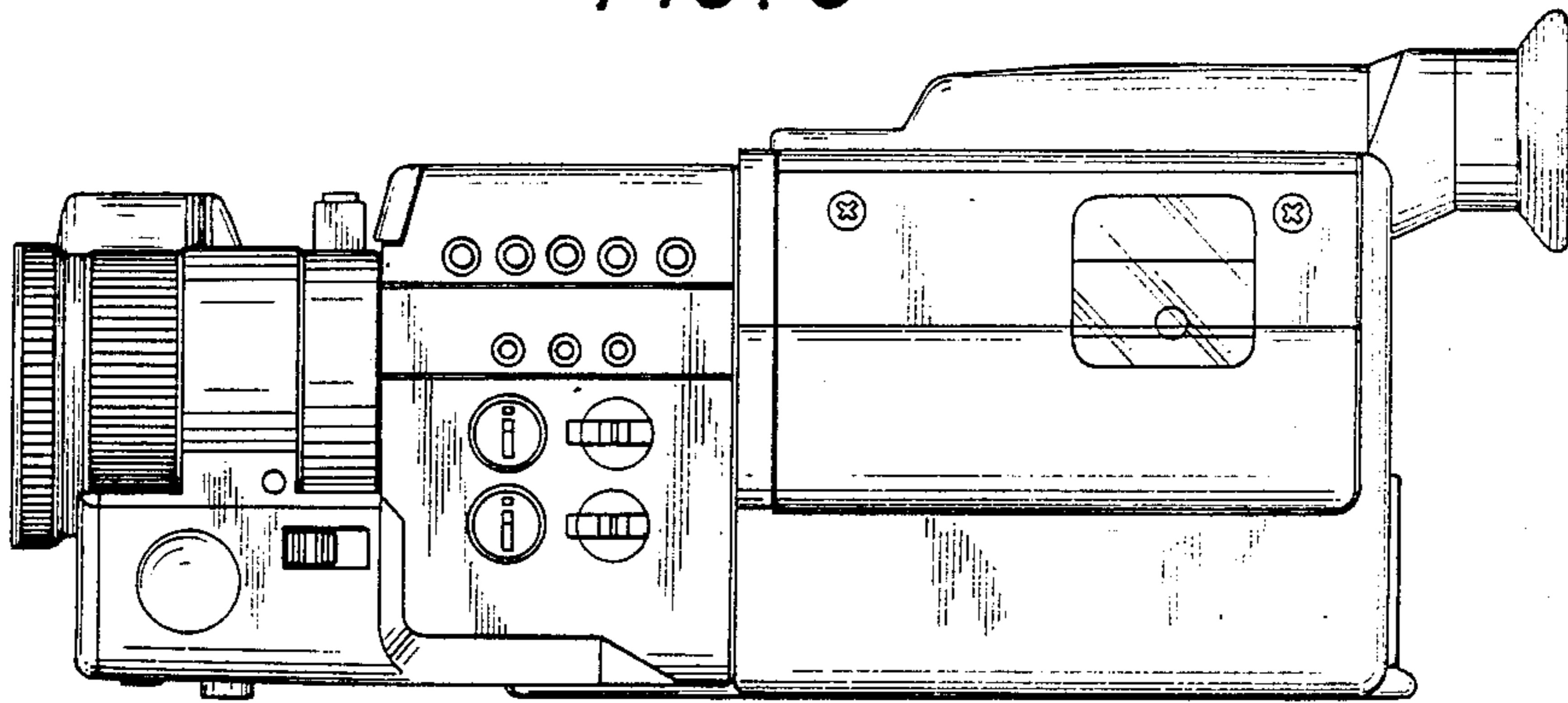


FIG. 6

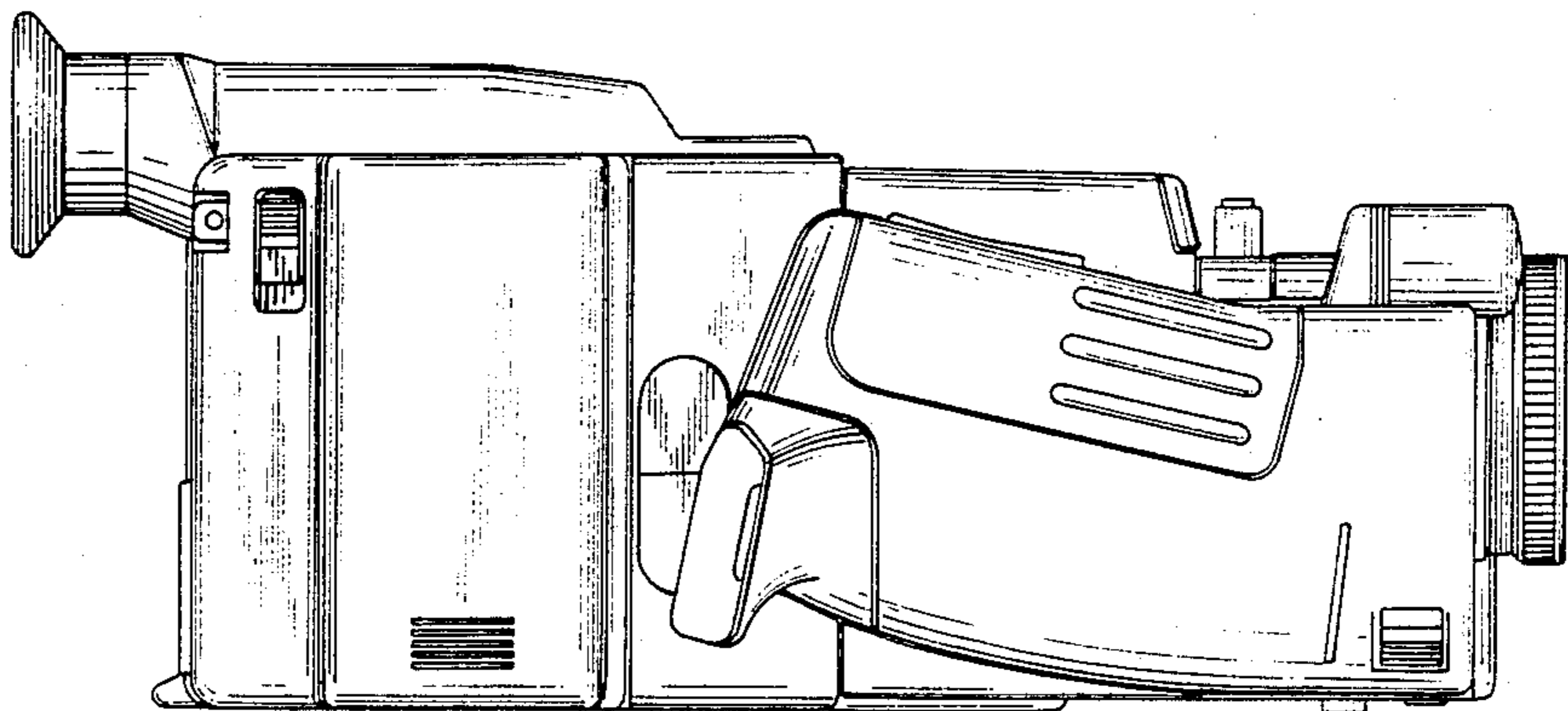


FIG. 7

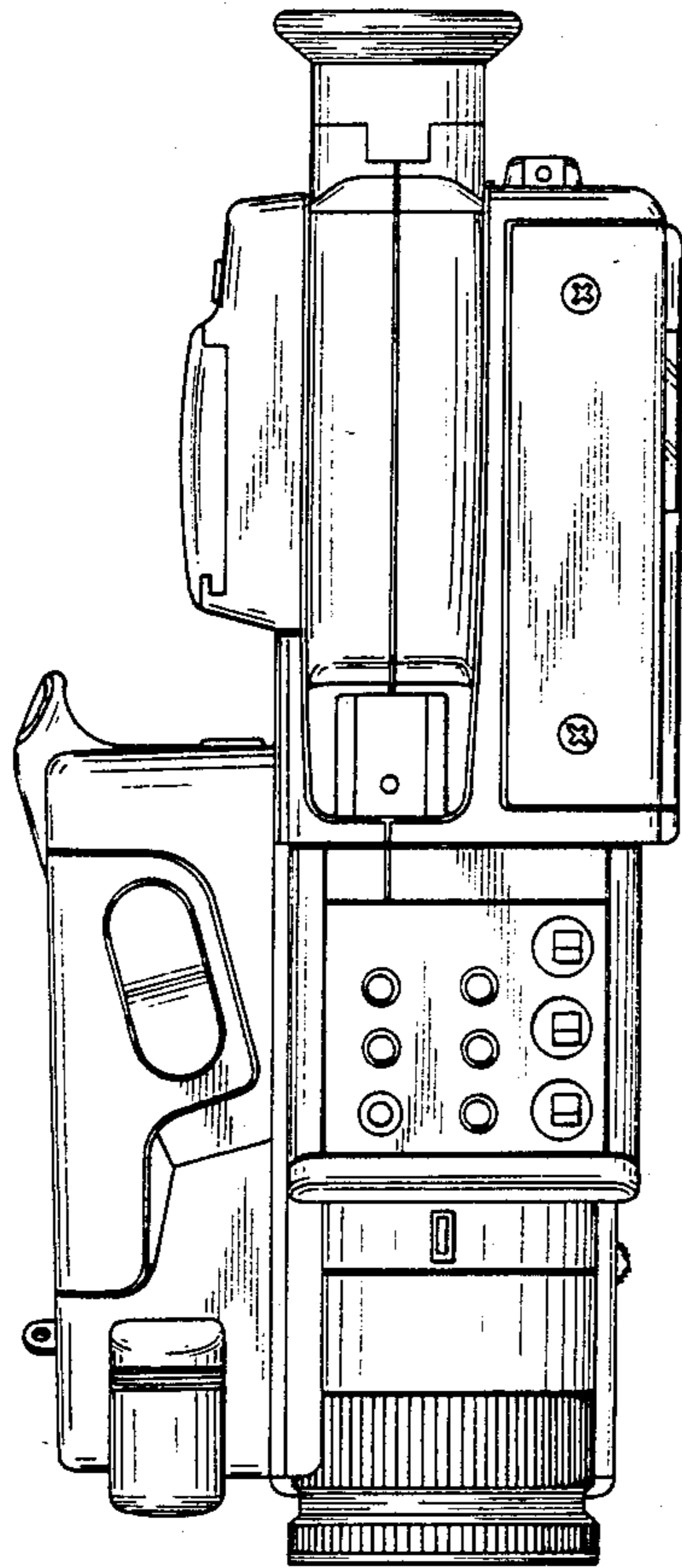


FIG. 8

