

[54] ILLUMINATED TELESCOPIC SIGHT OR SIMILAR ARTICLE

[75] Inventor: Susumu Fukushima, Tokyo, Japan

[73] Assignee: Tasco Sales, Inc., Miami, Fla.

[\*\*] Term: 14 Years

[21] Appl. No.: 184,723

[22] Filed: Apr. 21, 1988

[52] U.S. Cl. .... D16/132

[58] Field of Search ..... D16/130, 132; 350/537, 350/556; 33/245, 248, 249, 250, 247, 298

[56] References Cited

U.S. PATENT DOCUMENTS

2,138,067	11/1938	Mossberg	33/246 X
3,484,148	12/1969	Gotoh	350/537
4,297,789	11/1981	Tominaga	33/298
4,574,508	3/1986	Ross	33/245 X

OTHER PUBLICATIONS

Gun World, Jul. 1986, p. 31. Thompson/Center Arms' Rifle Scope at right of page.

Primary Examiner—A. Hugo Word  
Assistant Examiner—Doris V. Coles  
Attorney, Agent, or Firm—I. Walton Bader

[57] CLAIM

The ornamental design for an illuminated telescopic sight or similar article, as shown.

DESCRIPTION

FIG. 1 is a perspective view of an illuminated telescopic sight or similar article showing my new design.  
FIG. 2 is a front elevational view thereof;  
FIG. 3 is a side elevational view thereof;  
FIG. 4 is a top plan view thereof;  
FIG. 5 is an opposite side elevational view thereof;  
FIG. 6 is a bottom plan view thereof; and  
FIG. 7 is a rear elevational view thereof.

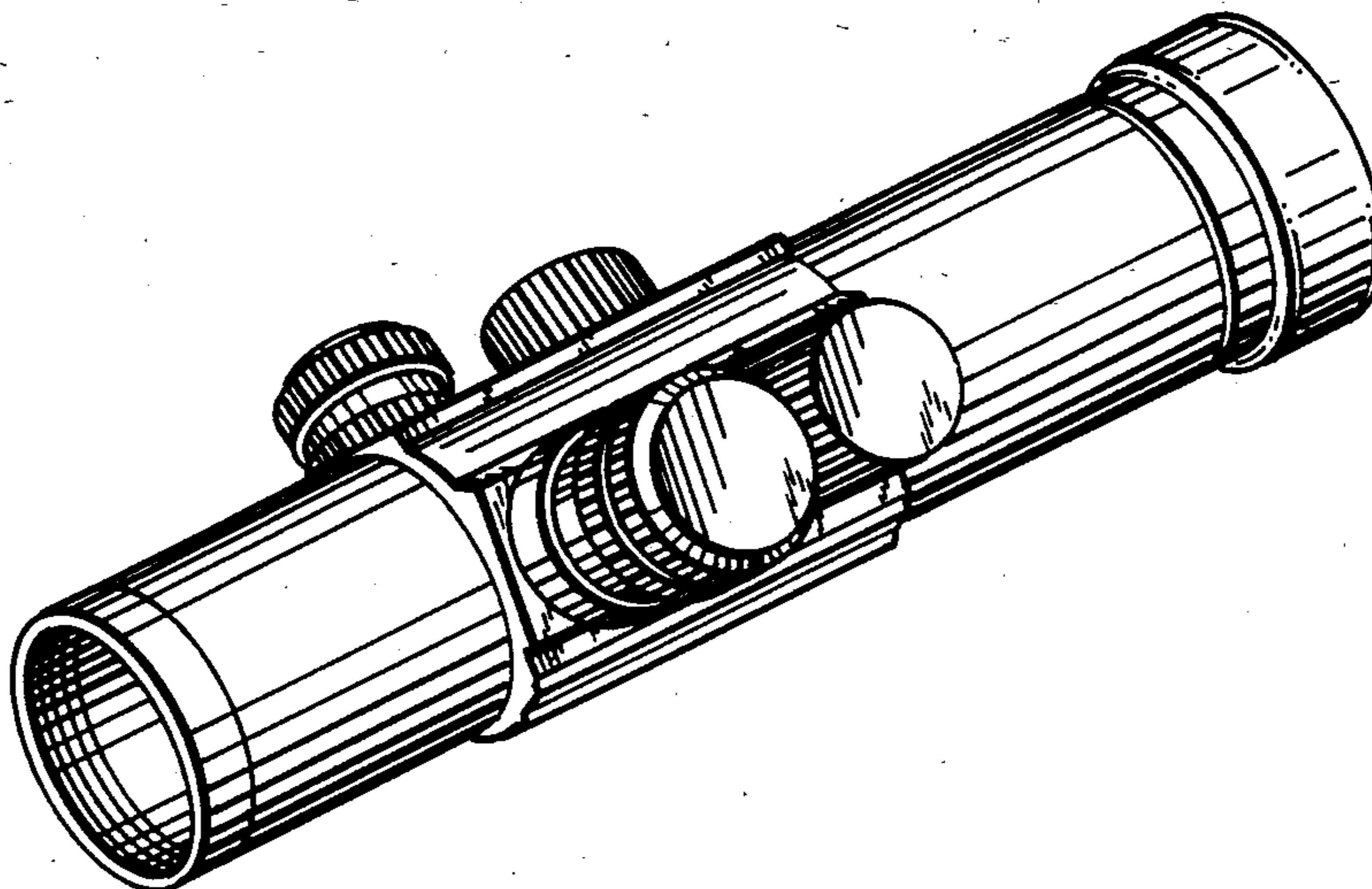


FIG. 1

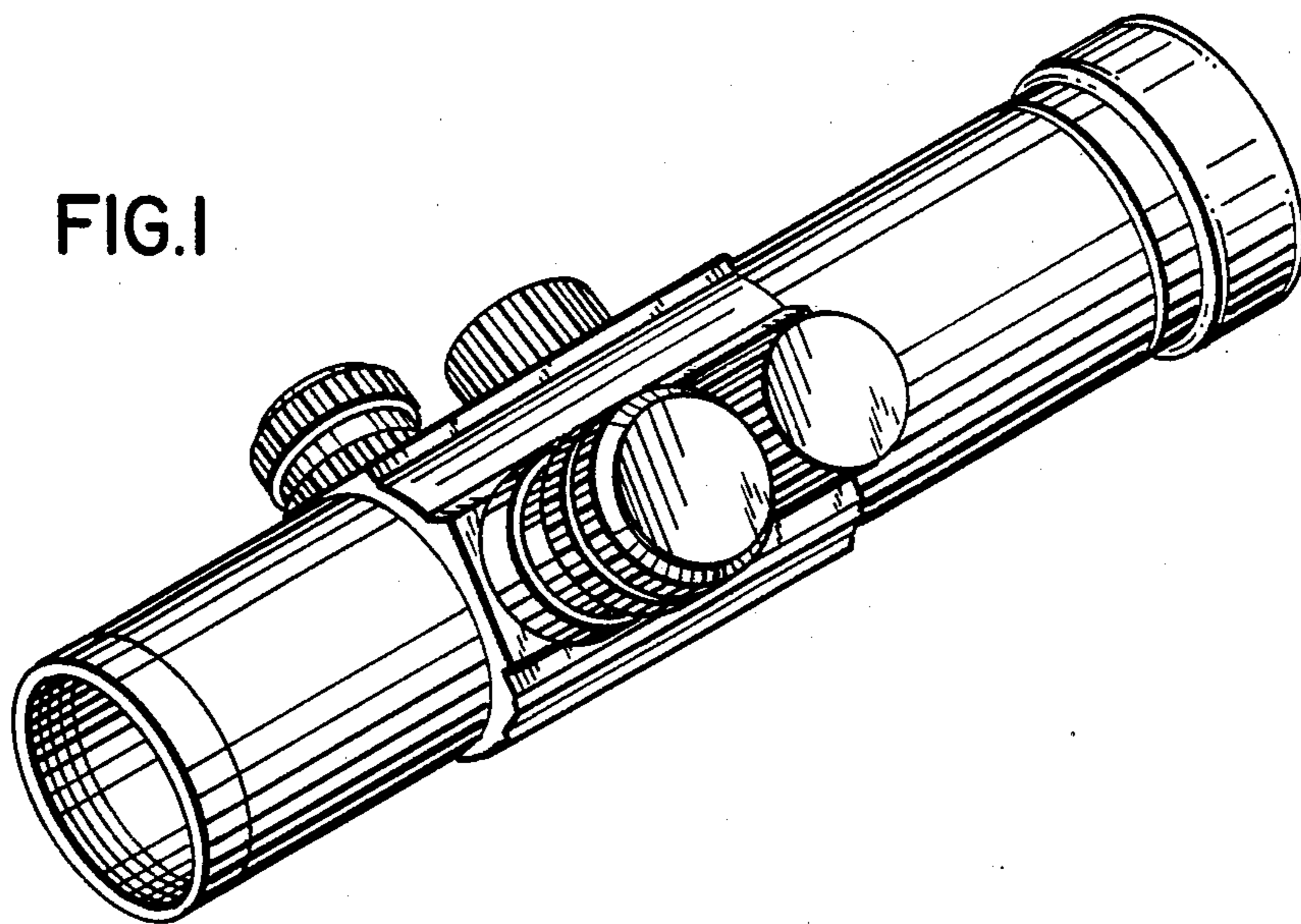


FIG. 2

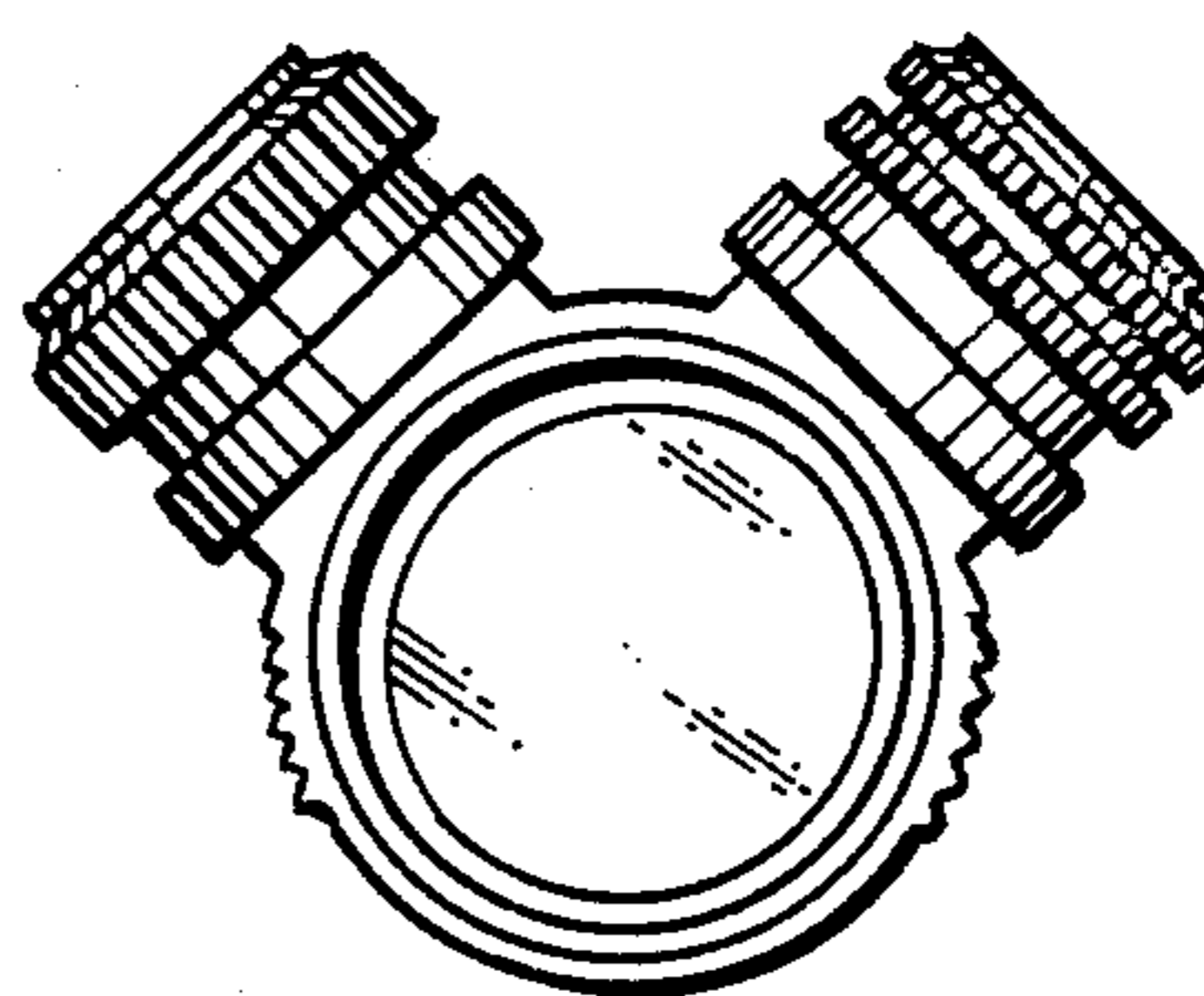


FIG. 3

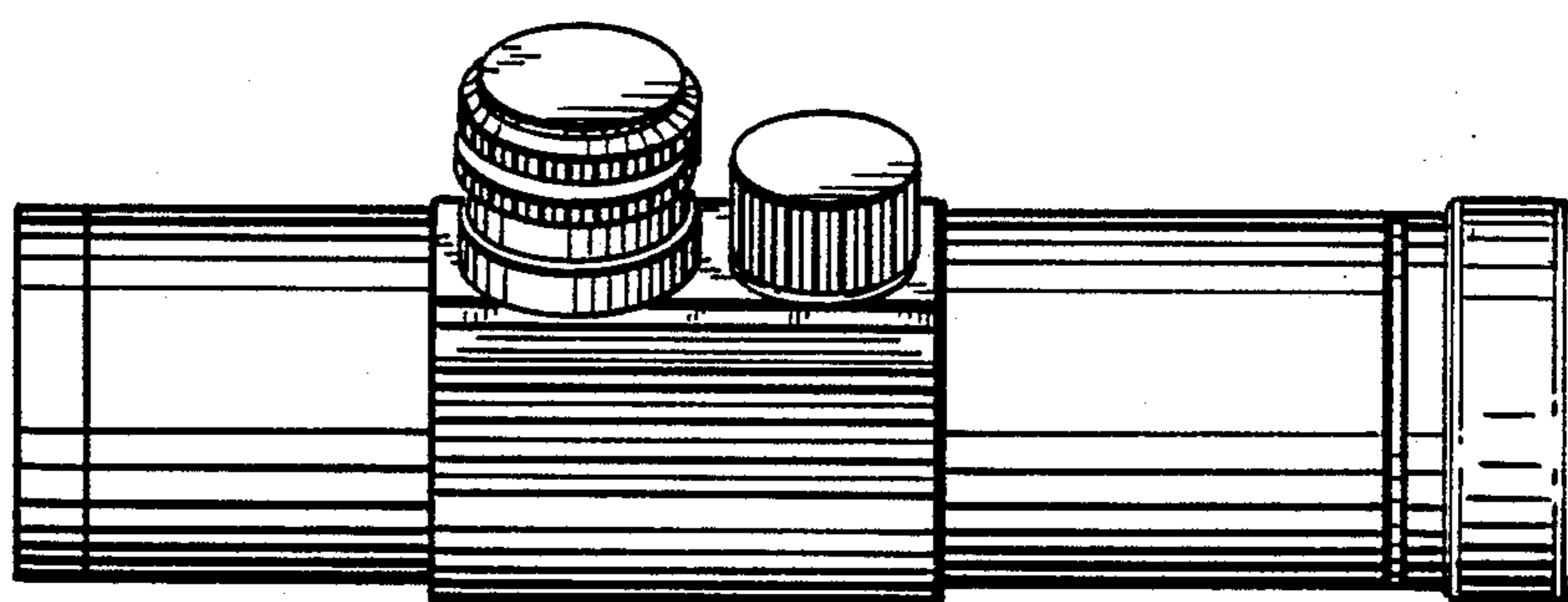


FIG. 4

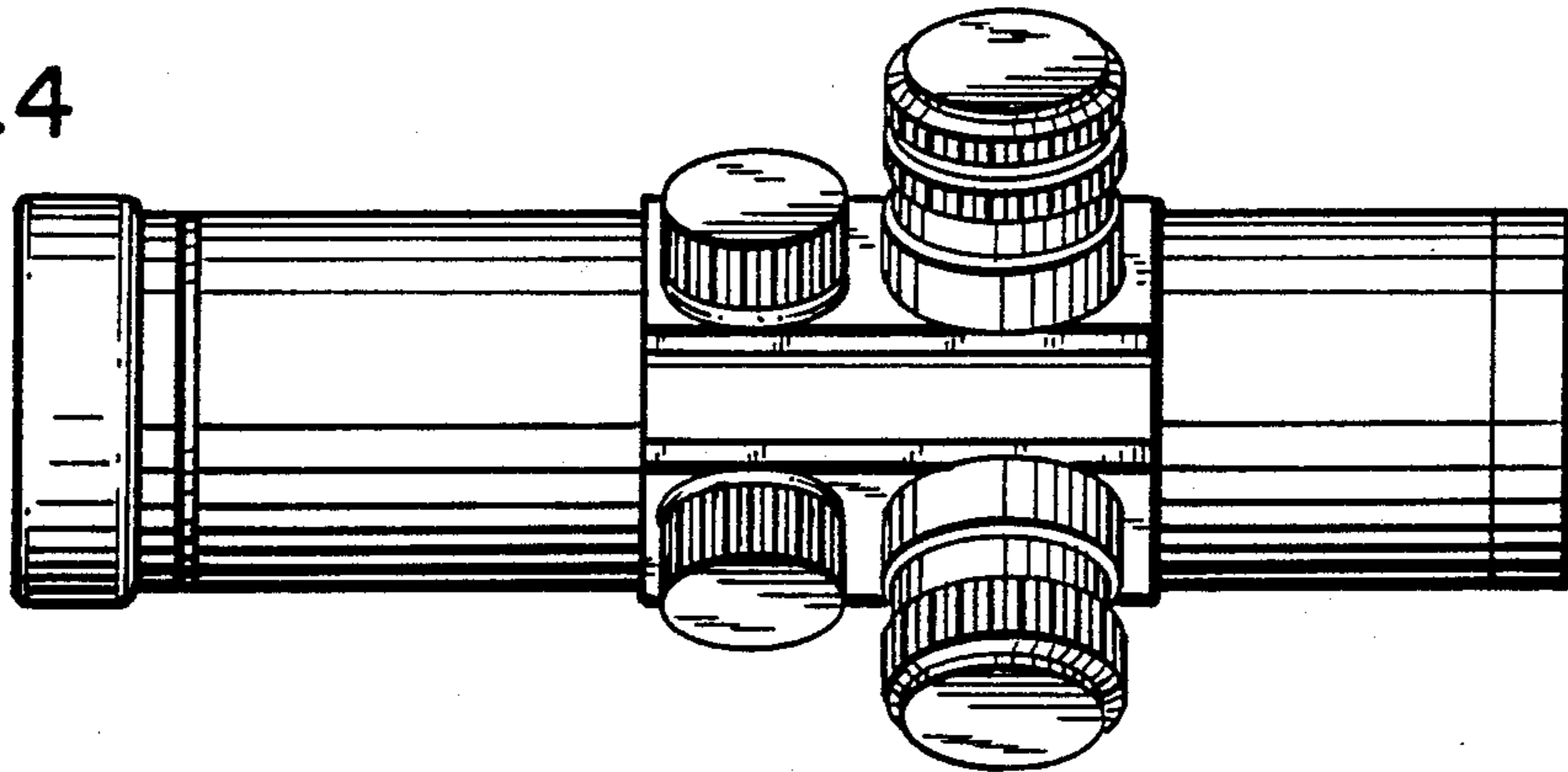


FIG. 5

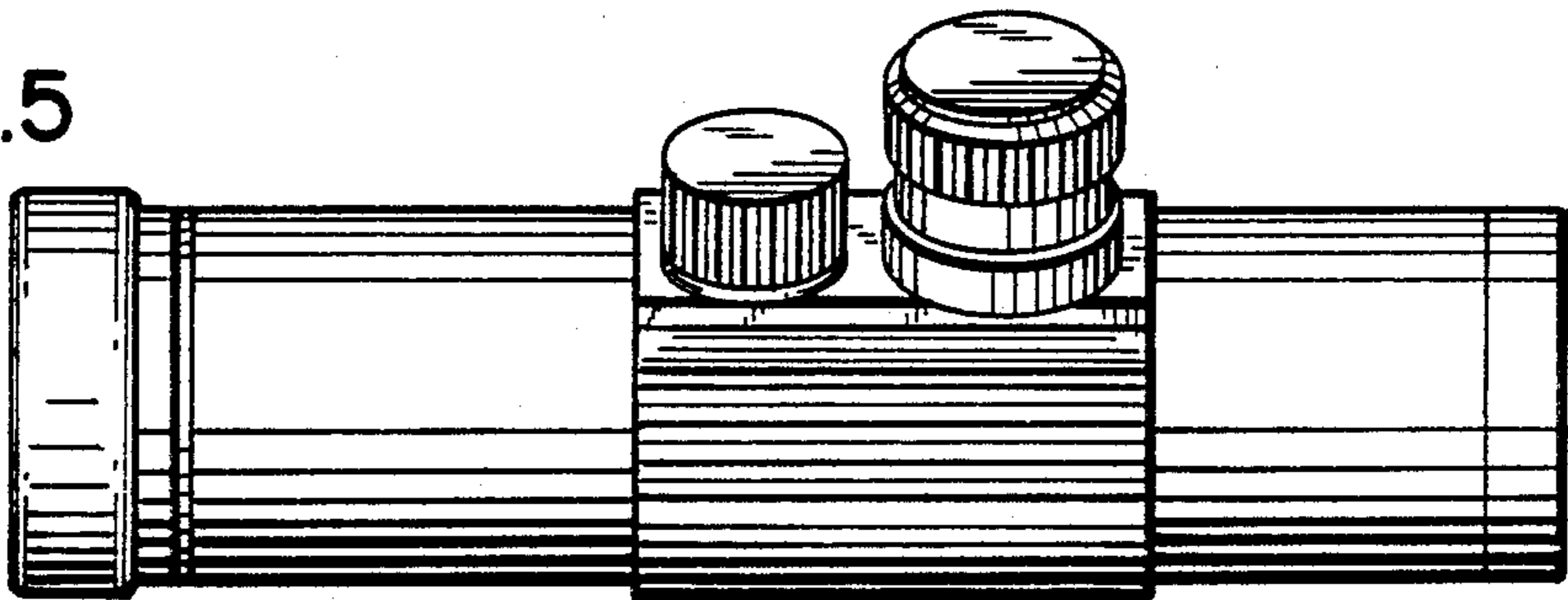


FIG. 6

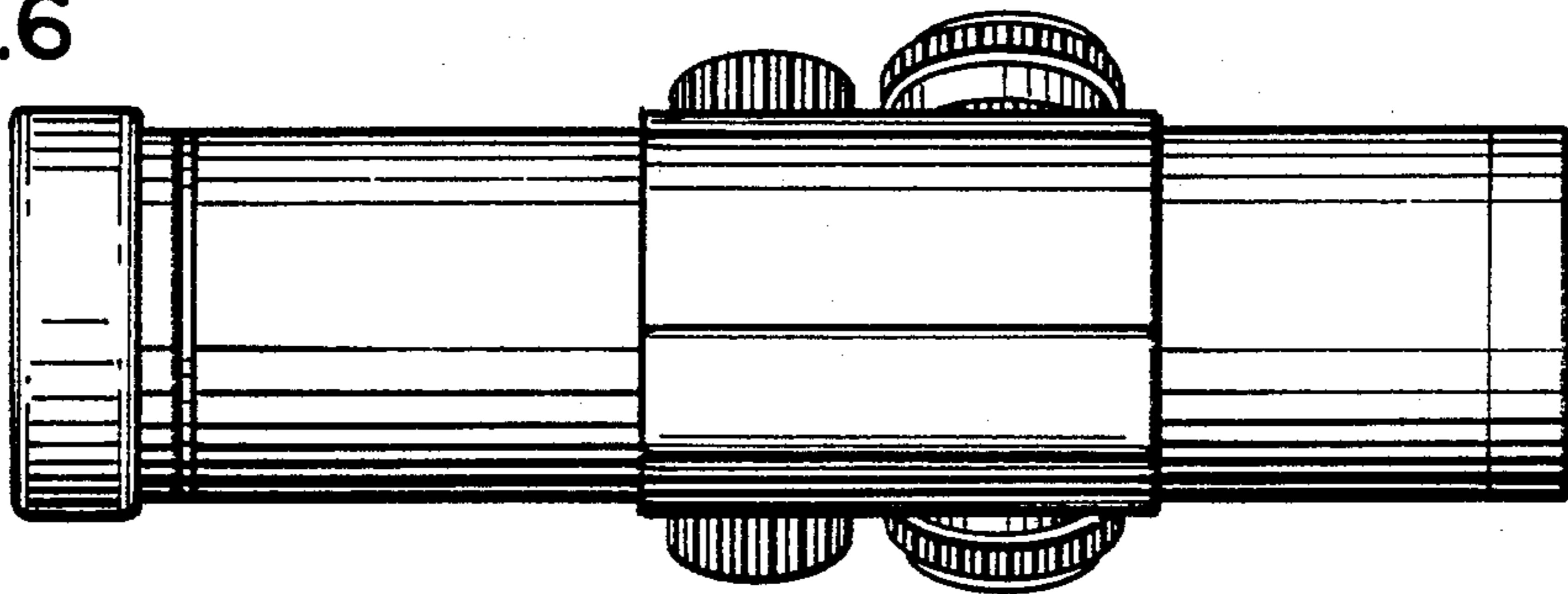


FIG. 7

