

[54] EXTENSION ATTACHMENT FOR A TELEPHONE EARPIECE

[76] Inventors: Harry Catey, 3330 91st St. Southeast, Everett, Wash. 98208; Erling C. Hesla, 620 112th St. Southeast; #157, Everett, Wash. 98208

[**] Term: 14 Years

[21] Appl. No.: 207,349

[22] Filed: Jun. 15, 1988

[52] U.S. Cl. D14/249; 379/452

[58] Field of Search D14/249, 205; 379/452, 379/450, 451

[56] References Cited

U.S. PATENT DOCUMENTS

D. 53,460	6/1919	Pape	D14/249
D. 101,816	11/1936	Marshall	D14/249
D. 216,802	3/1970	Kliewer	D14/249
D. 274,516	7/1984	Walker, Jr.	D14/249
D. 291,690	9/1987	Tabalnnik	D14/205
1,142,600	6/1915	Maxwell	D14/249 X
1,340,601	5/1920	Lohl	D14/249
2,313,383	3/1943	Kolodny	379/452

Primary Examiner—Horace B. Fay, Jr.

Attorney, Agent, or Firm—Ward Brown; Robert W. Beach

[57] CLAIM

The ornamental design for an extension attachment for a telephone earpiece, as shown and described.

DESCRIPTION

FIG. 1 is a front, top and right side perspective view of an extension attachment for a telephone earpiece showing our new design;

FIGS. 2 and 3 are respectively front and rear elevational views thereof;

FIG. 4 is a right side elevational view thereof, the side opposite being a mirror image thereof; and

FIGS. 5 and 6 are respectively top and bottom plan views thereof.

FIG. 7 is a top perspective view of a second embodiment thereof;

FIG. 8 is a front elevational view of the second embodiment thereof;

FIG. 9 is a rear elevation view of the second embodiment thereof;

FIG. 10 is a side elevation view of the second embodiment thereof taken from the left of FIG. 9;

FIG. 11 is a top plan view of the second embodiment thereof; and

FIG. 12 is a bottom plan view of the second embodiment thereof.

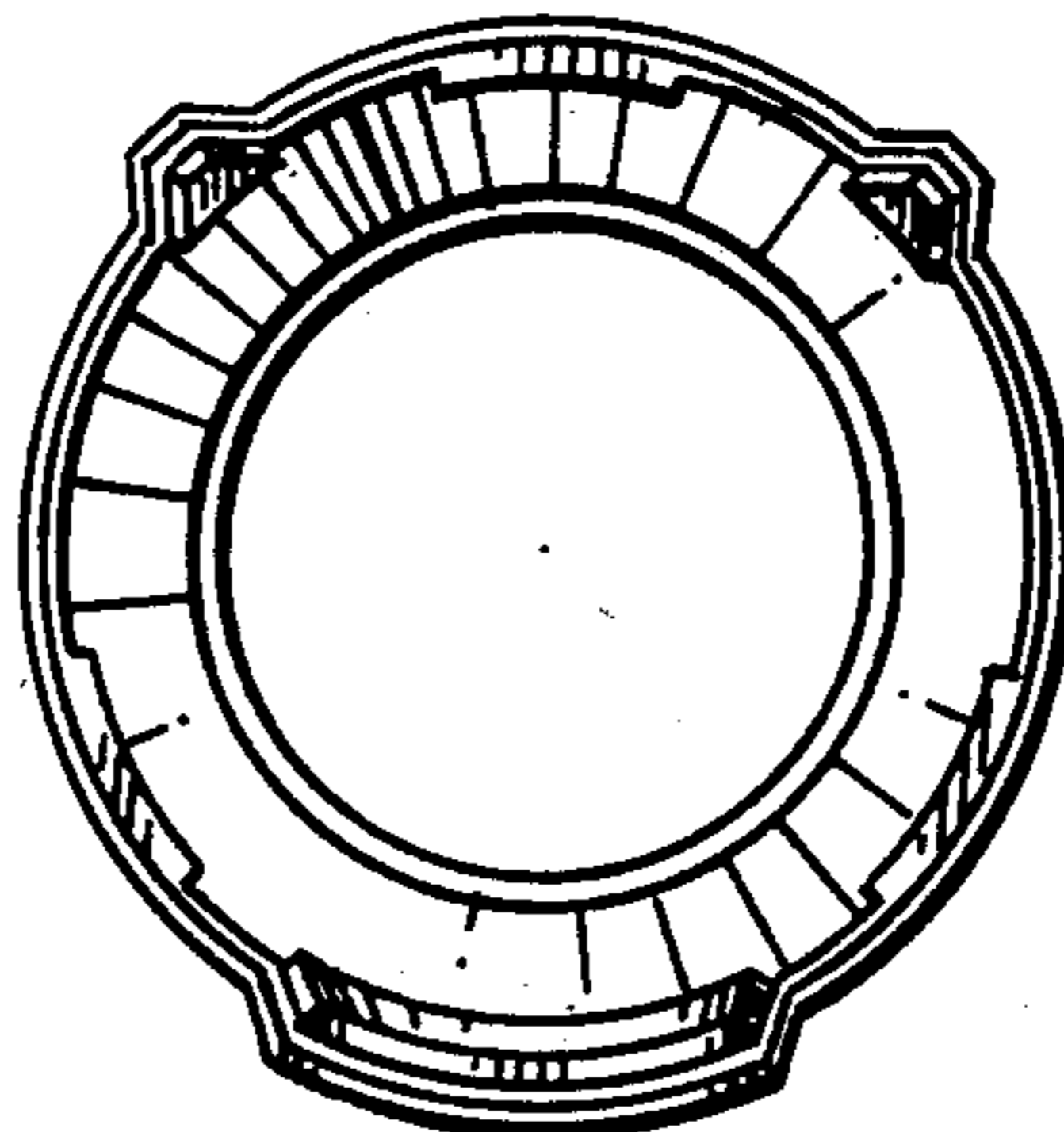
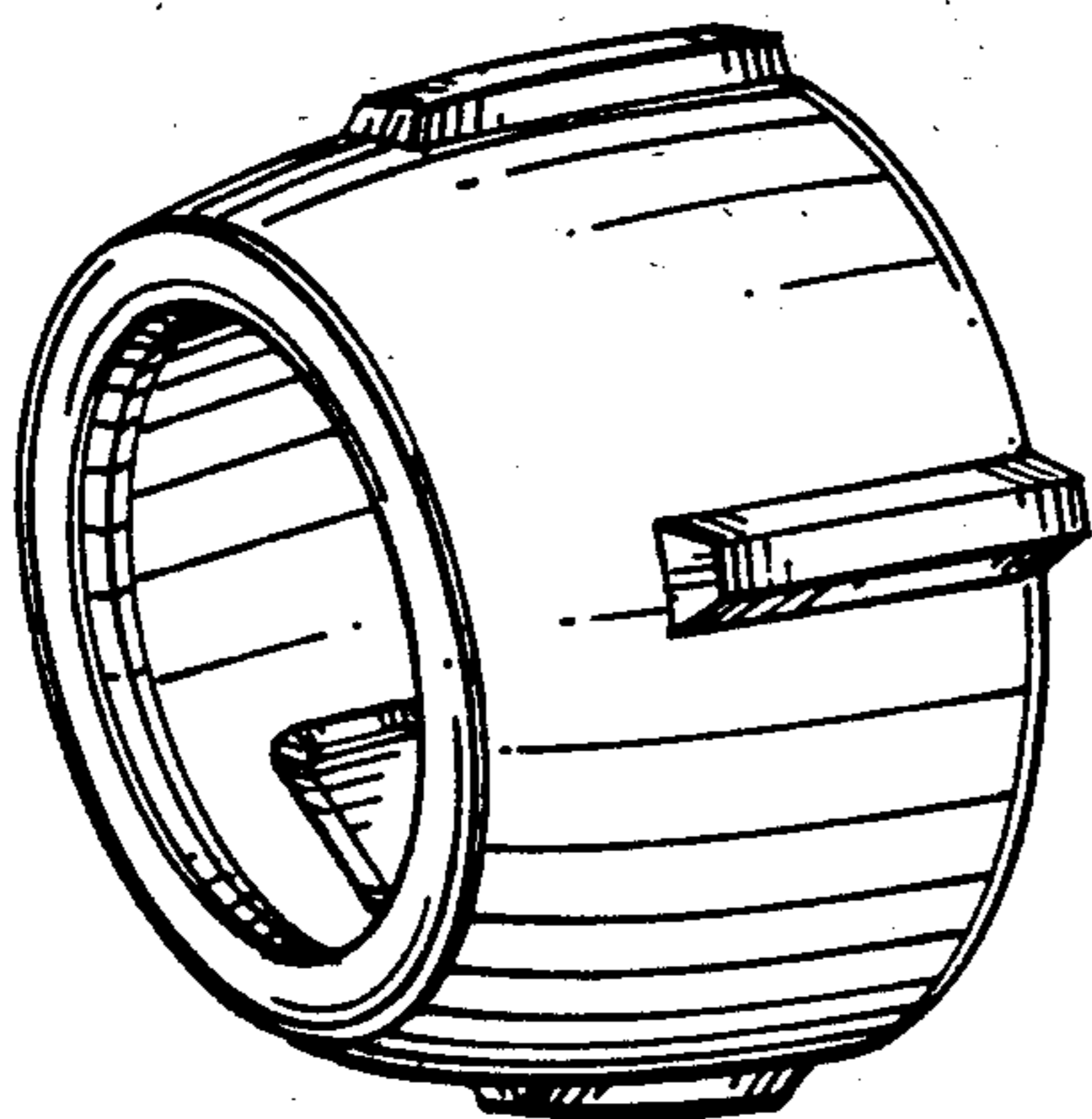


Fig. 1.

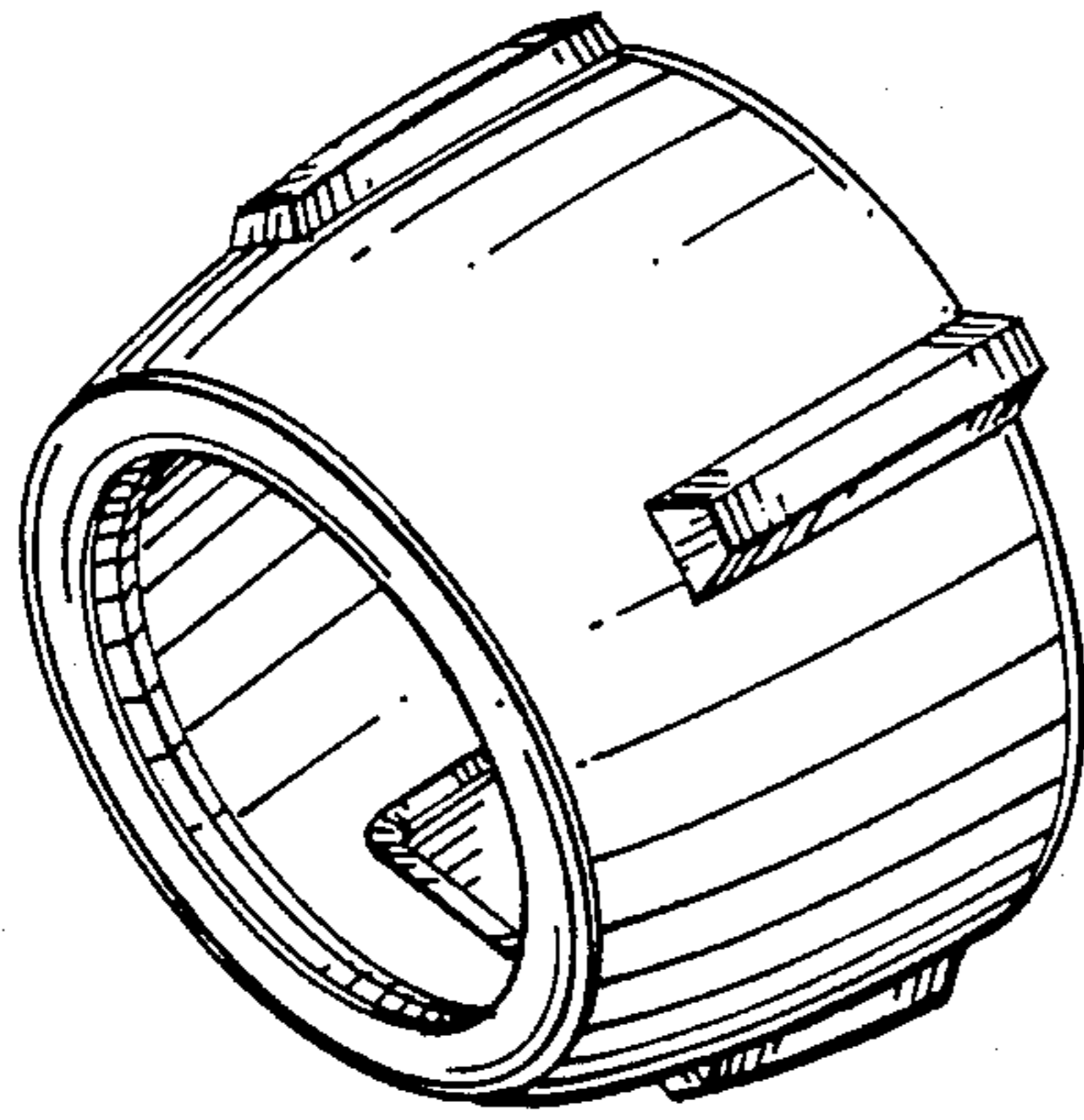


Fig. 2.

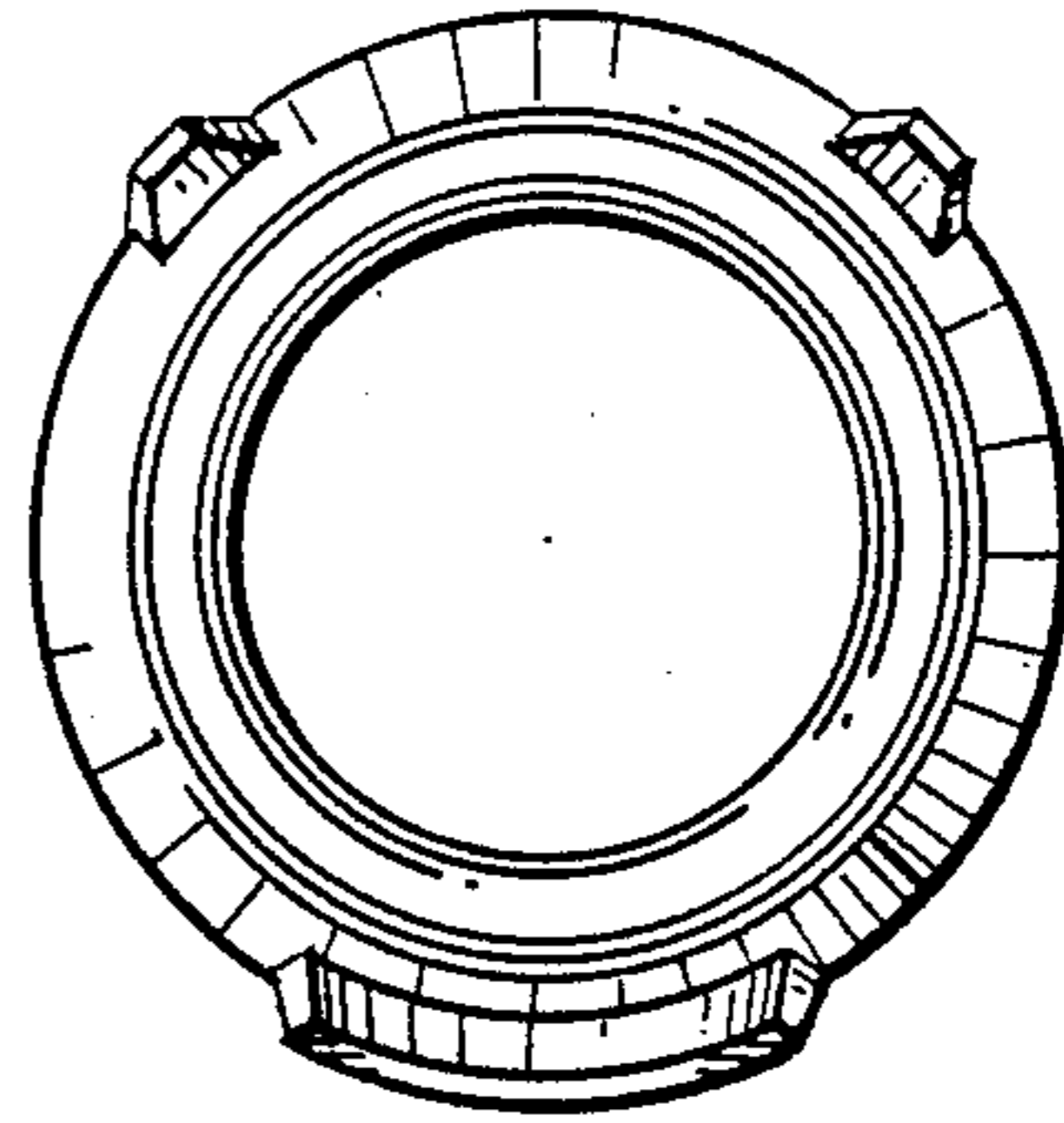


Fig. 4.

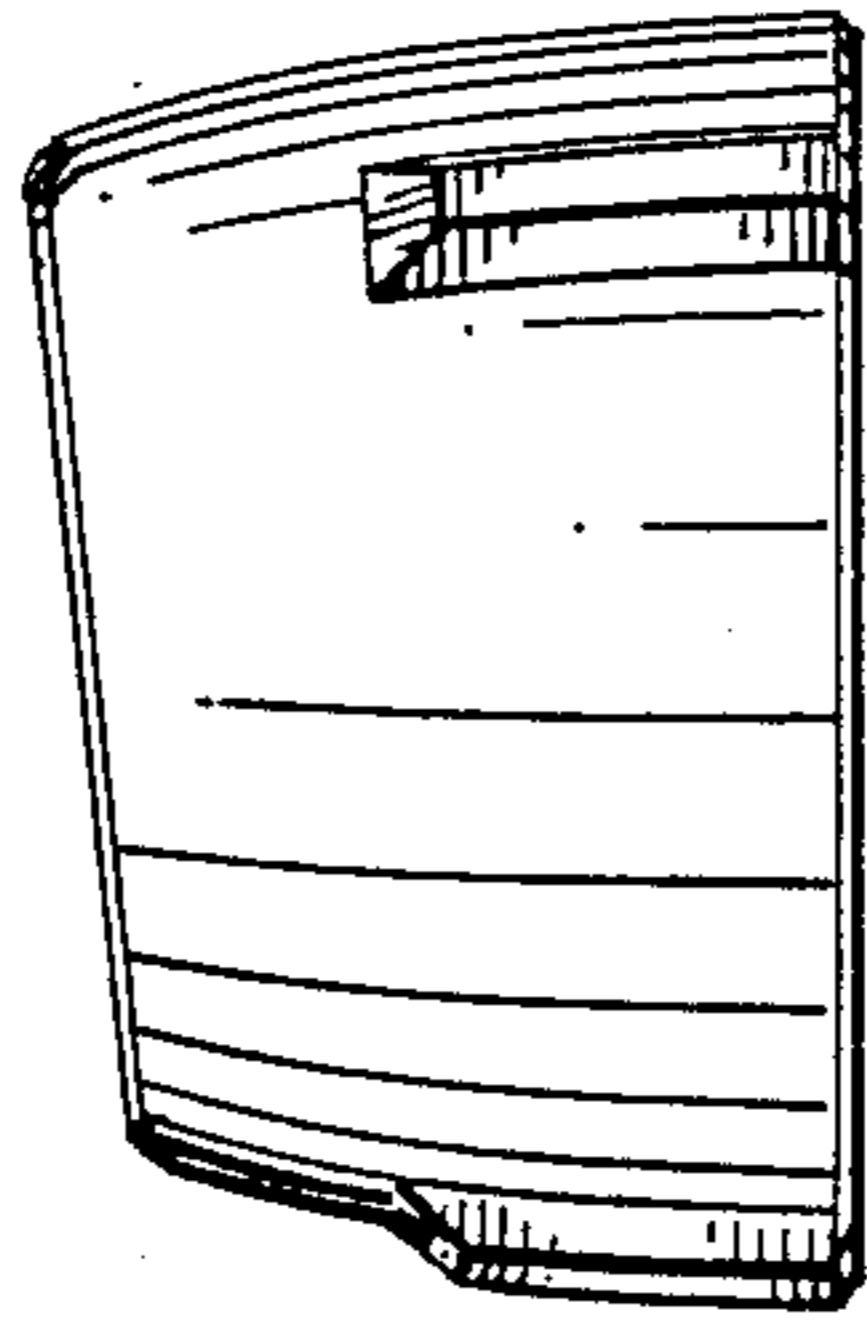


Fig. 3.

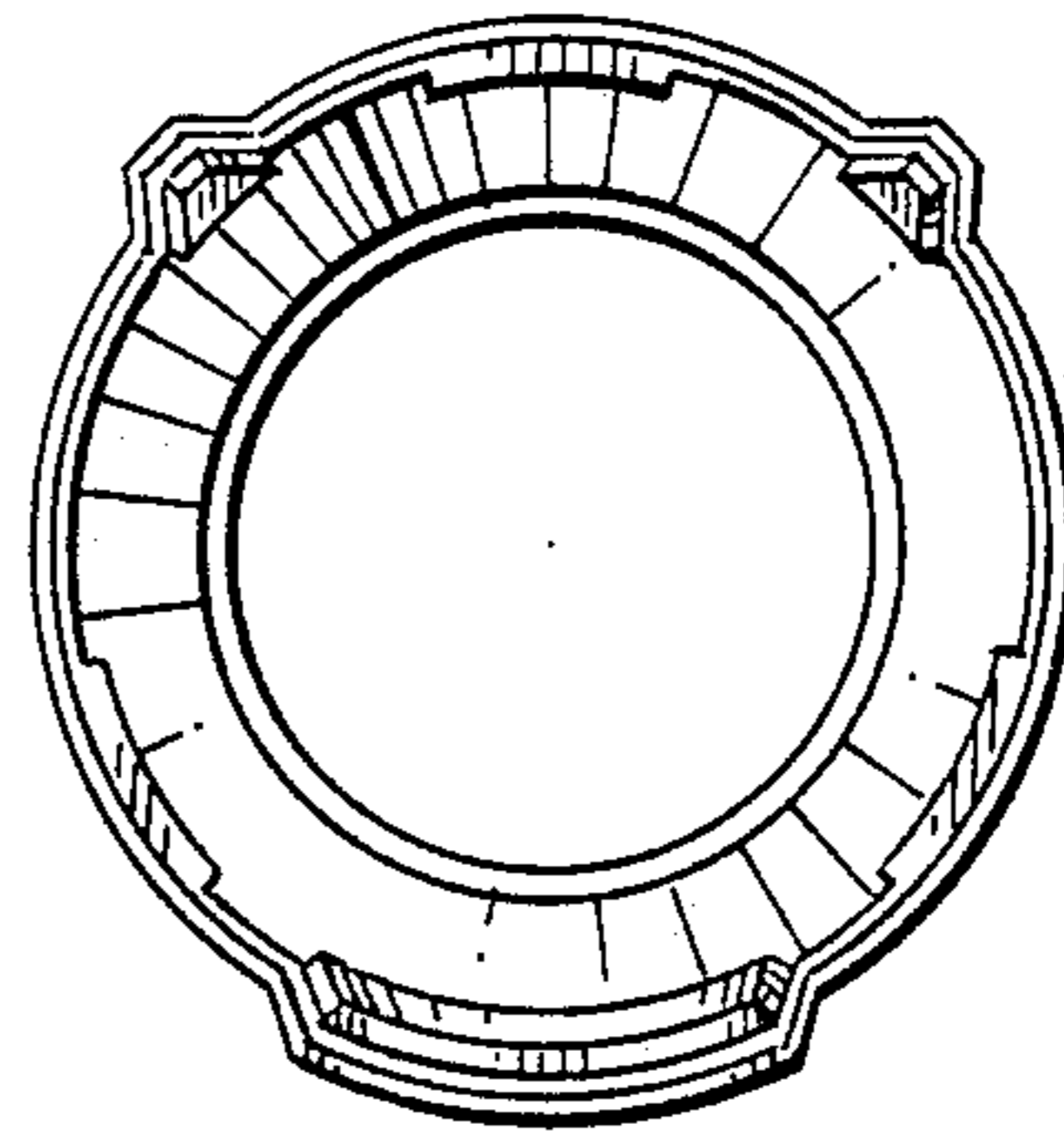


Fig. 5.

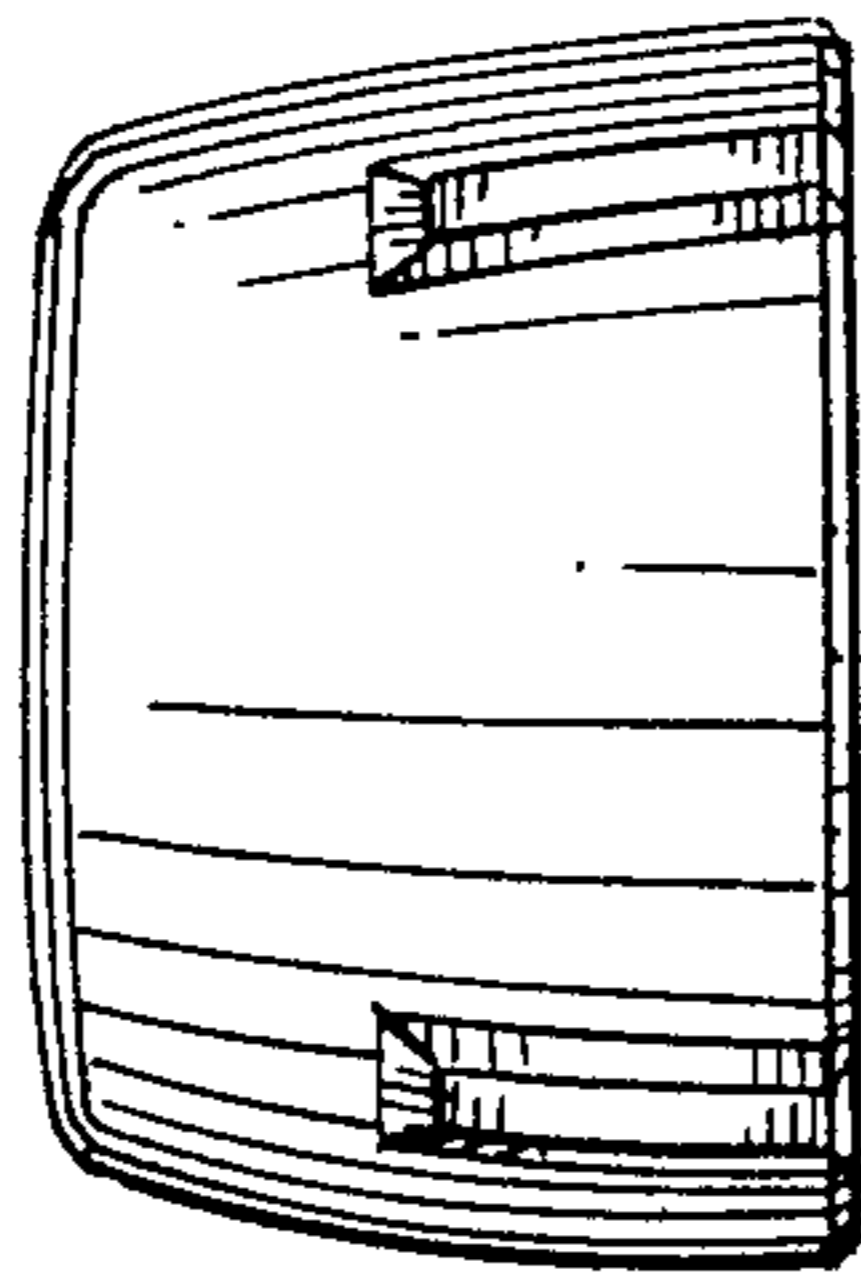
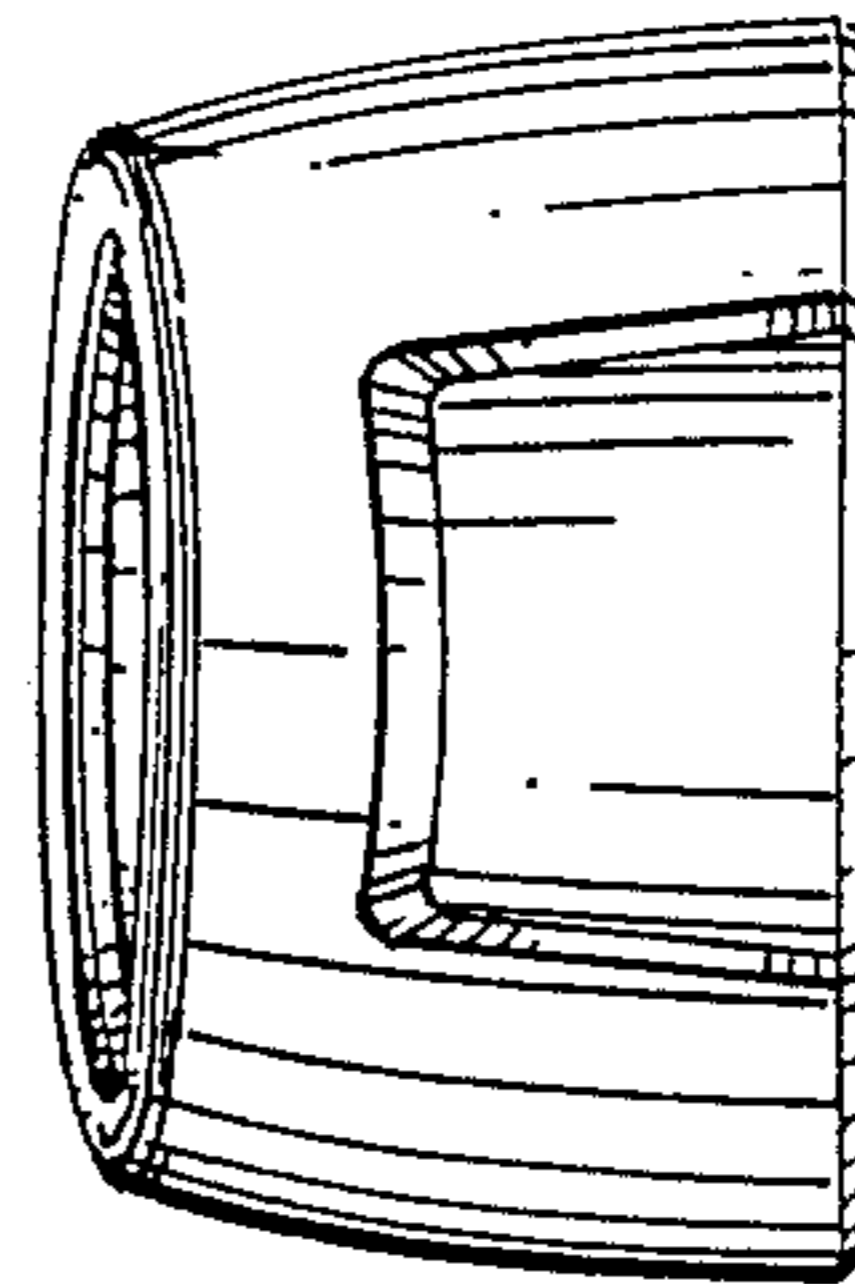


Fig. 6.



UNITED STATES PATENT AND TRADEMARK OFFICE
CERTIFICATE OF CORRECTION

PATENT NO. : Des. 305,027
DATED : December 12, 1989
INVENTOR(S) : Catey et al

It is certified that error appears in the above-identified patent and that said Letters Patent is hereby corrected as shown below:

On the title page, item [56] References Cited, add the following references:

-- Other Publications

publication titled "PhonePal™ IT FIGHTS FEEDBACK!;
advertising circular (2 pages) titled "PhonePal™
TELEPHONE LISTENING DEVICE FOR I.T.E. HEARING AID USERS"
(TECHNICAL DATA AND FACT SHEET). --

In the DESCRIPTION:

Cancel the lines containing the description of FIG. &
THROUGH FIG. 12.

**Signed and Sealed this
Twentieth Day of October, 1992**

Attest:

DOUGLAS B. COMER

Attesting Officer

Acting Commissioner of Patents and Trademarks