

[54] **MICROPHONE HOLDER**

[76] **Inventor:** Mitchell E. Wolf, 2450 S. 3200 West #4, West Valley City, Utah 84119

[**] **Term:** 14 Years

[21] **Appl. No.:** 941,281

[22] **Filed:** Dec. 12, 1986

[52] **U.S. Cl.** D14/229

[58] **Field of Search** D14/12, 13, 30, 36,
D14/99, 225-229; 381/158, 169; D8/395;
248/121, 122, 125

[56] **References Cited**

U.S. PATENT DOCUMENTS

D. 296,099	6/1988	Kubota	D14/12
2,776,462	1/1957	Burroughs	248/122 X
3,153,123	10/1964	Harman	381/158
3,573,401	4/1971	Lininger	381/158
4,040,547	8/1977	Dickey	381/169 X

FOREIGN PATENT DOCUMENTS

562865 10/1932 Fed. Rep. of Germany .

OTHER PUBLICATIONS

Pages 87 and 89, Oct. 1983 issue of *Modern Drummer* magazine.

Photographs of a clamp structure marketed by Radio Shack prior to the invention of the instant invention.

Primary Examiner—Bernard Ansher

Assistant Examiner—Theodore M. Shooman

Attorney, Agent, or Firm—Trask, Britt & Rossa

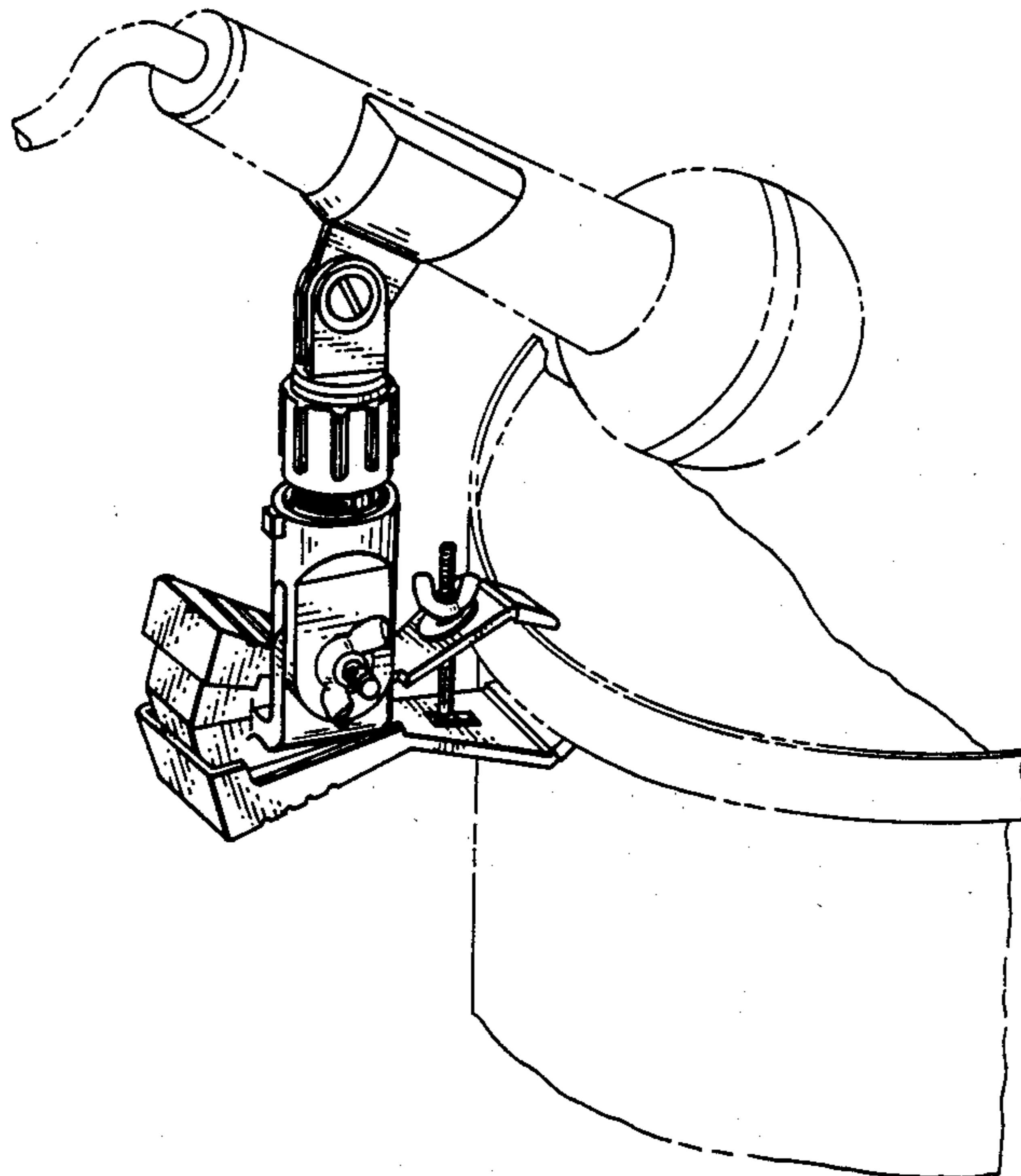
[57] **CLAIM**

The ornamental design for microphone holder, as shown and described.

DESCRIPTION

FIG. 1 is a top, rear and left side perspective view of a microphone holder showing my new design; FIG. 2 is a left side elevational view thereof; FIG. 3 is a right side elevational view thereof; FIG. 4 is a front elevational view thereof; FIG. 5 is a rear elevational view thereof; FIG. 6 is a top plan view thereof; FIG. 7 is a bottom plan view thereof; and FIG. 8 is a top, rear and left side perspective view thereof.

The broken line showing of the microphone and the drum in FIG. 8 is for illustrative purposes only and forms no part of the claimed design.



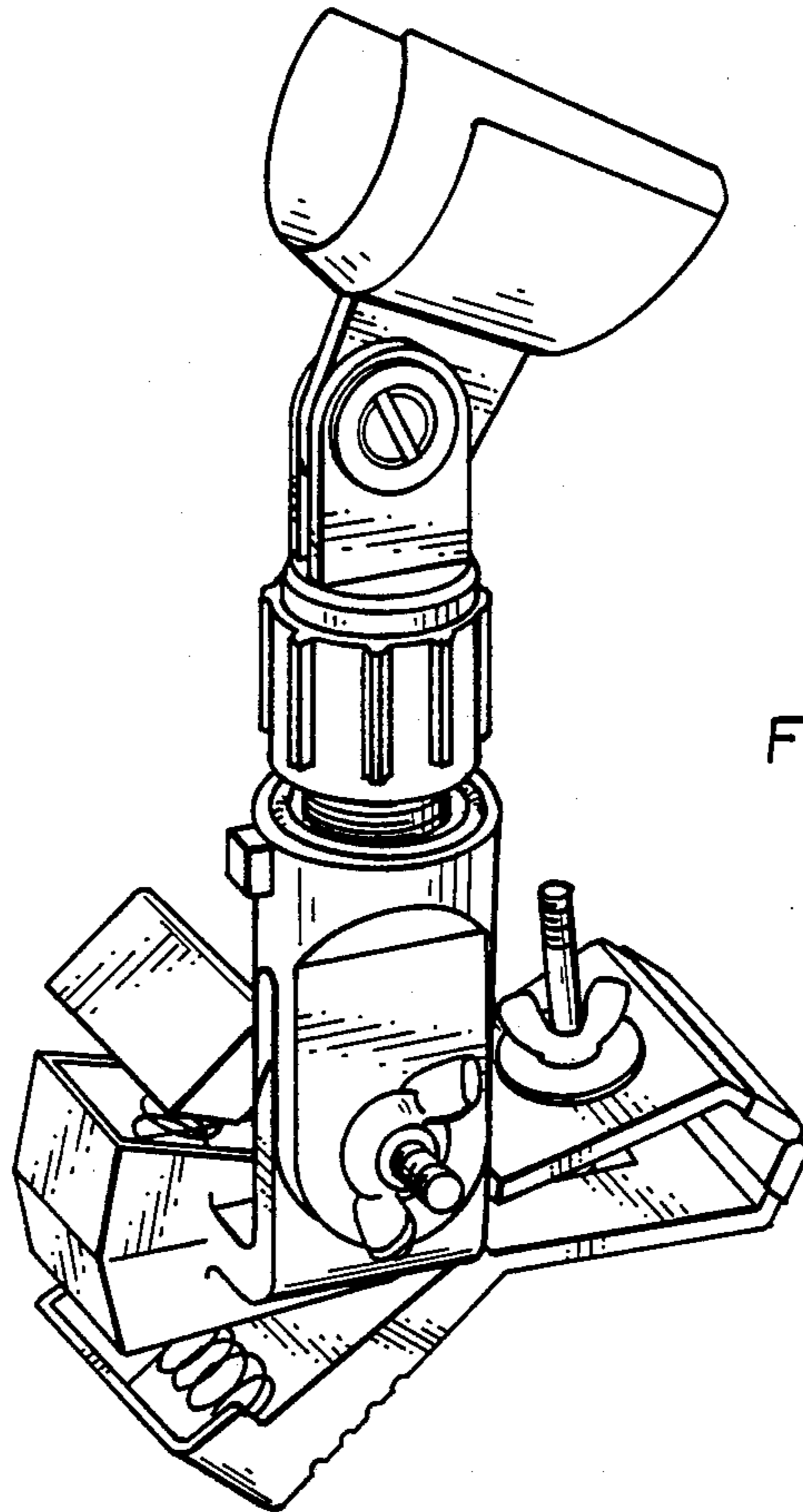


Fig. 1

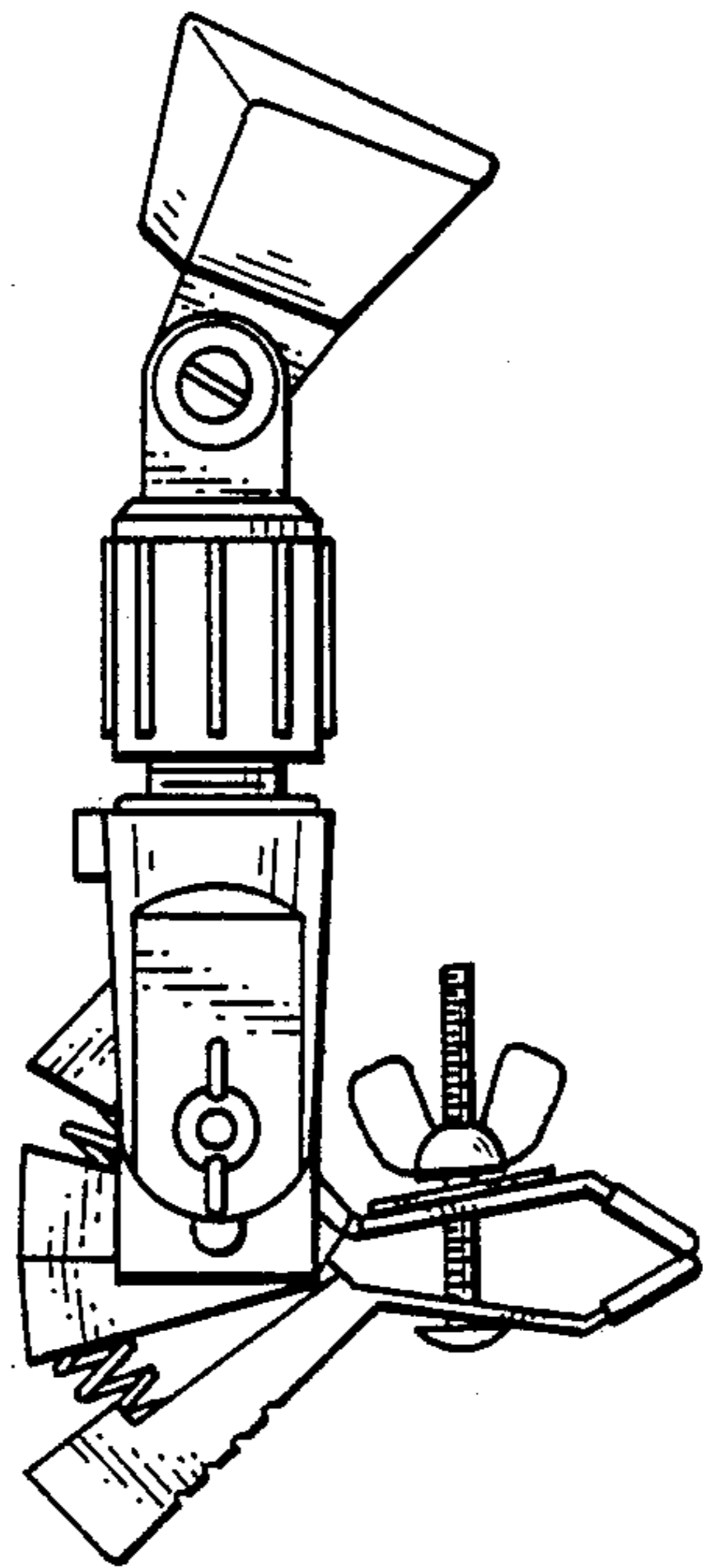


Fig. 2

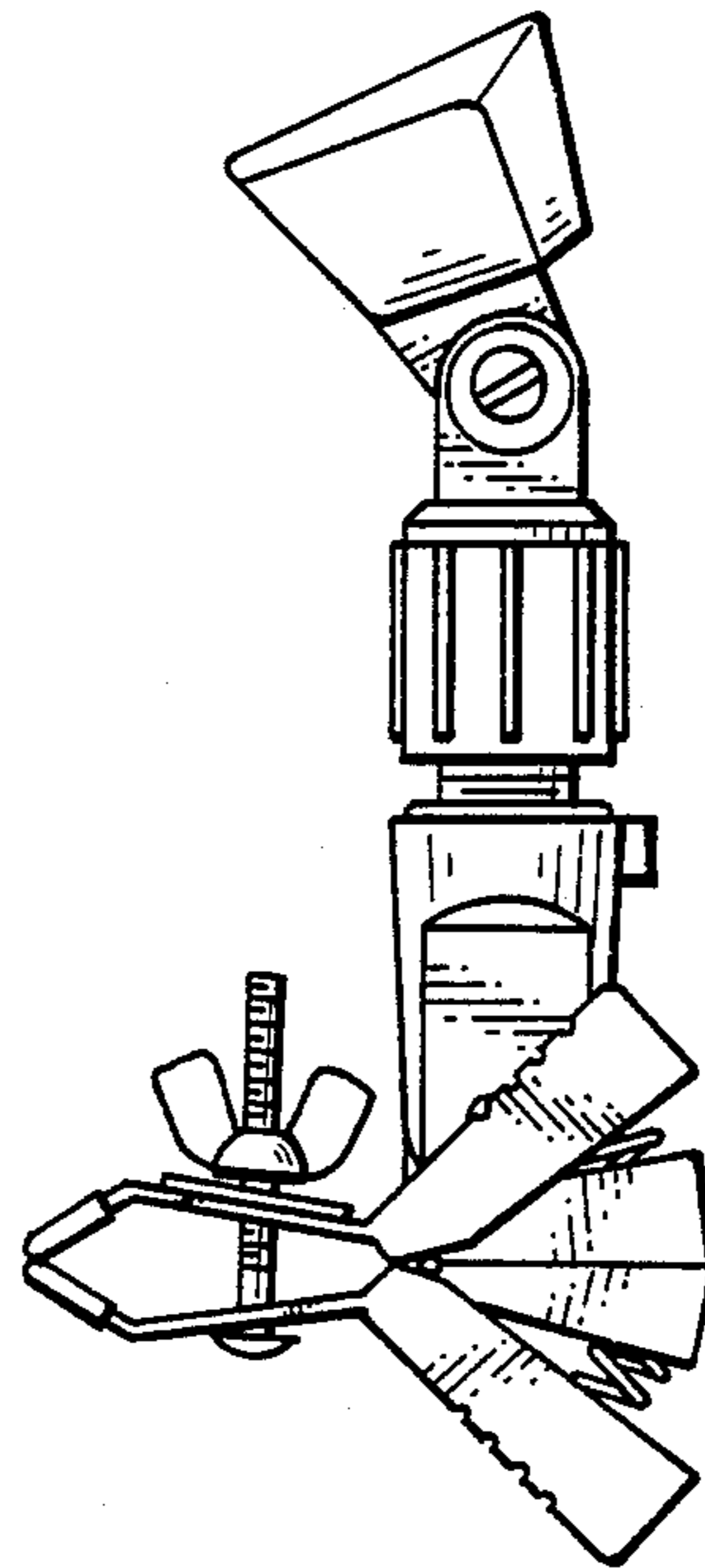


Fig. 3

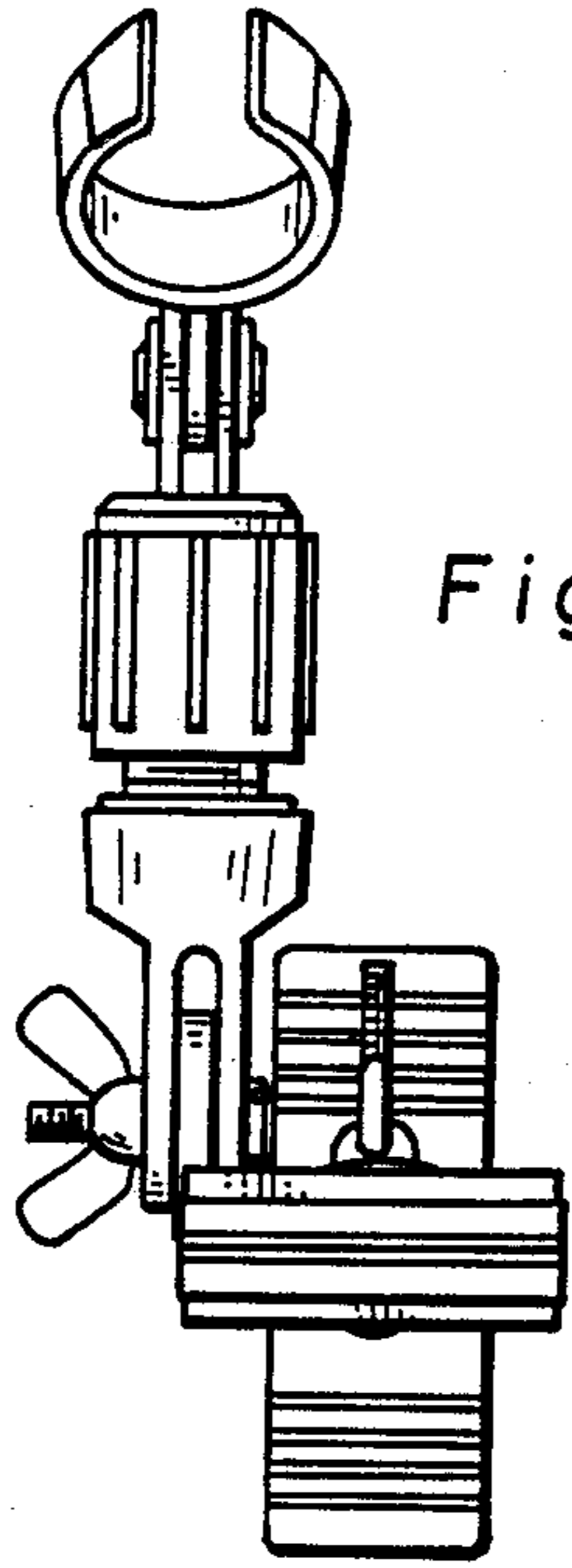


Fig. 4

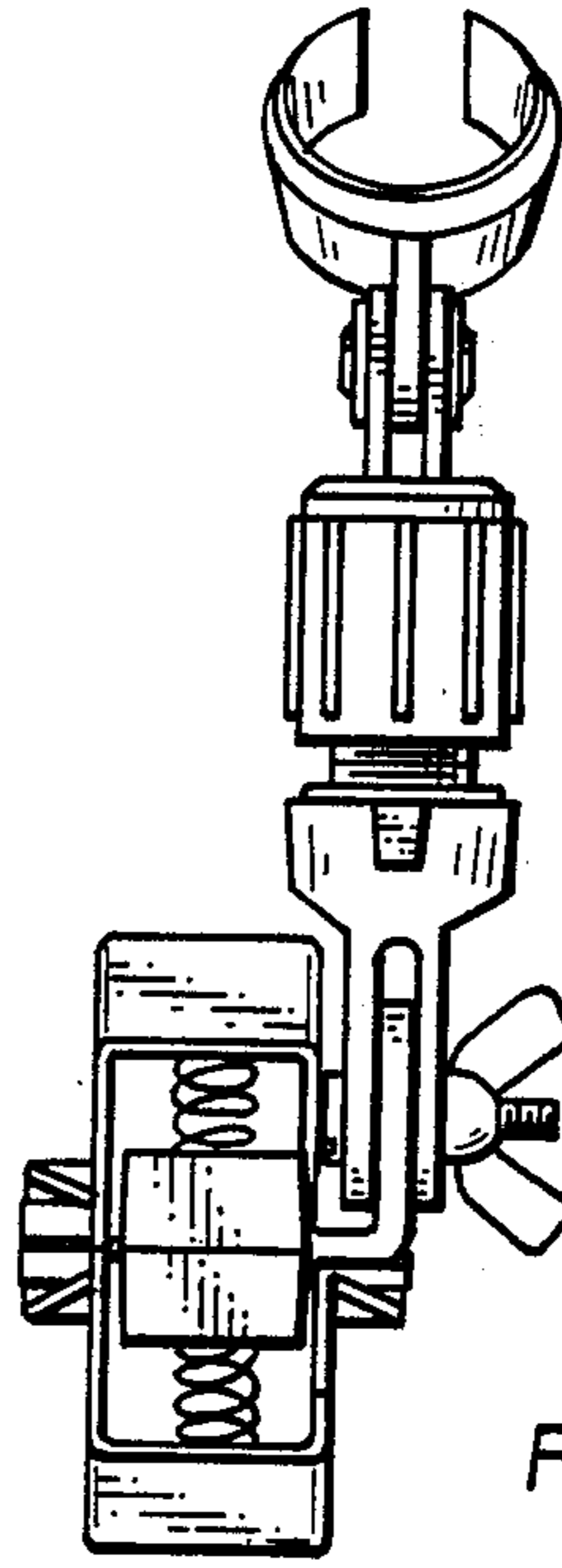


Fig. 5

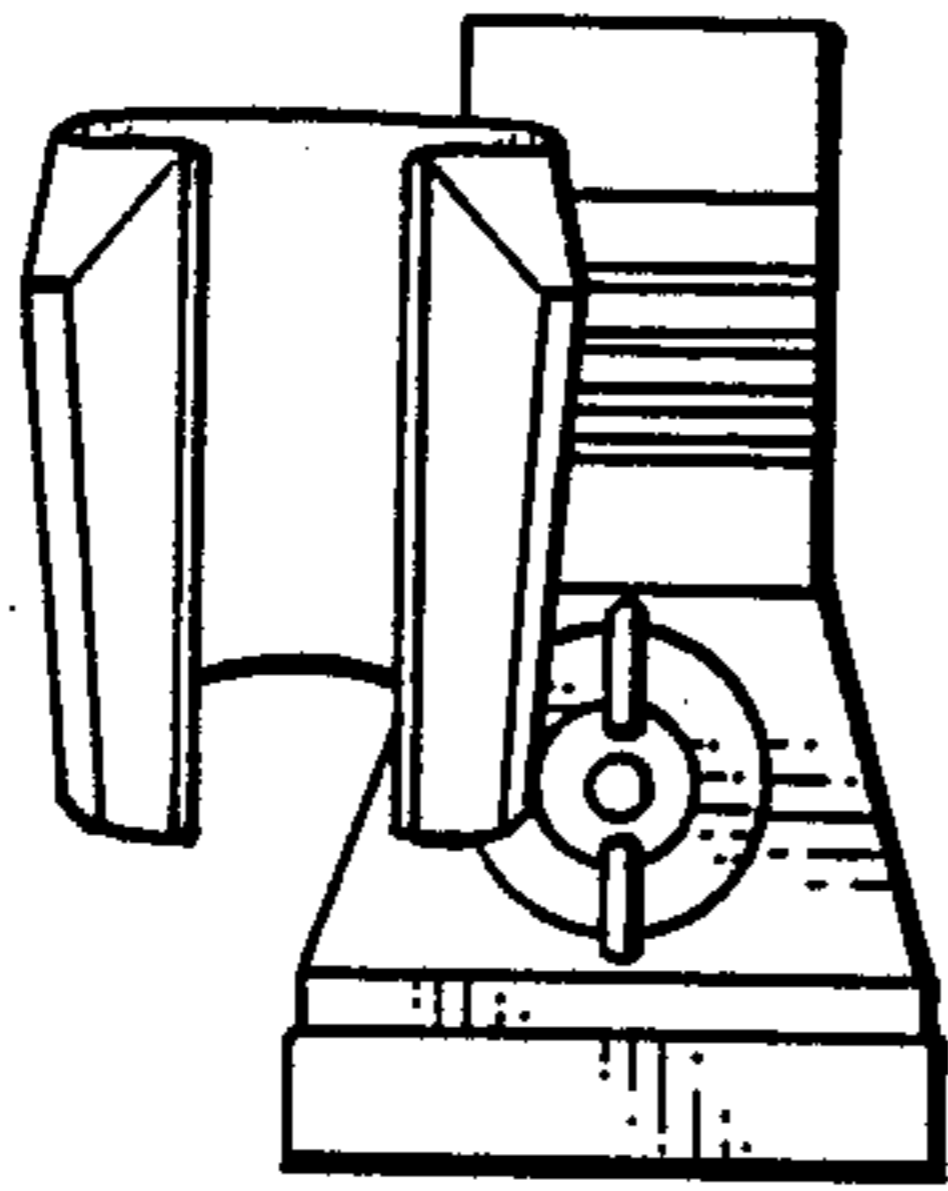


Fig. 6

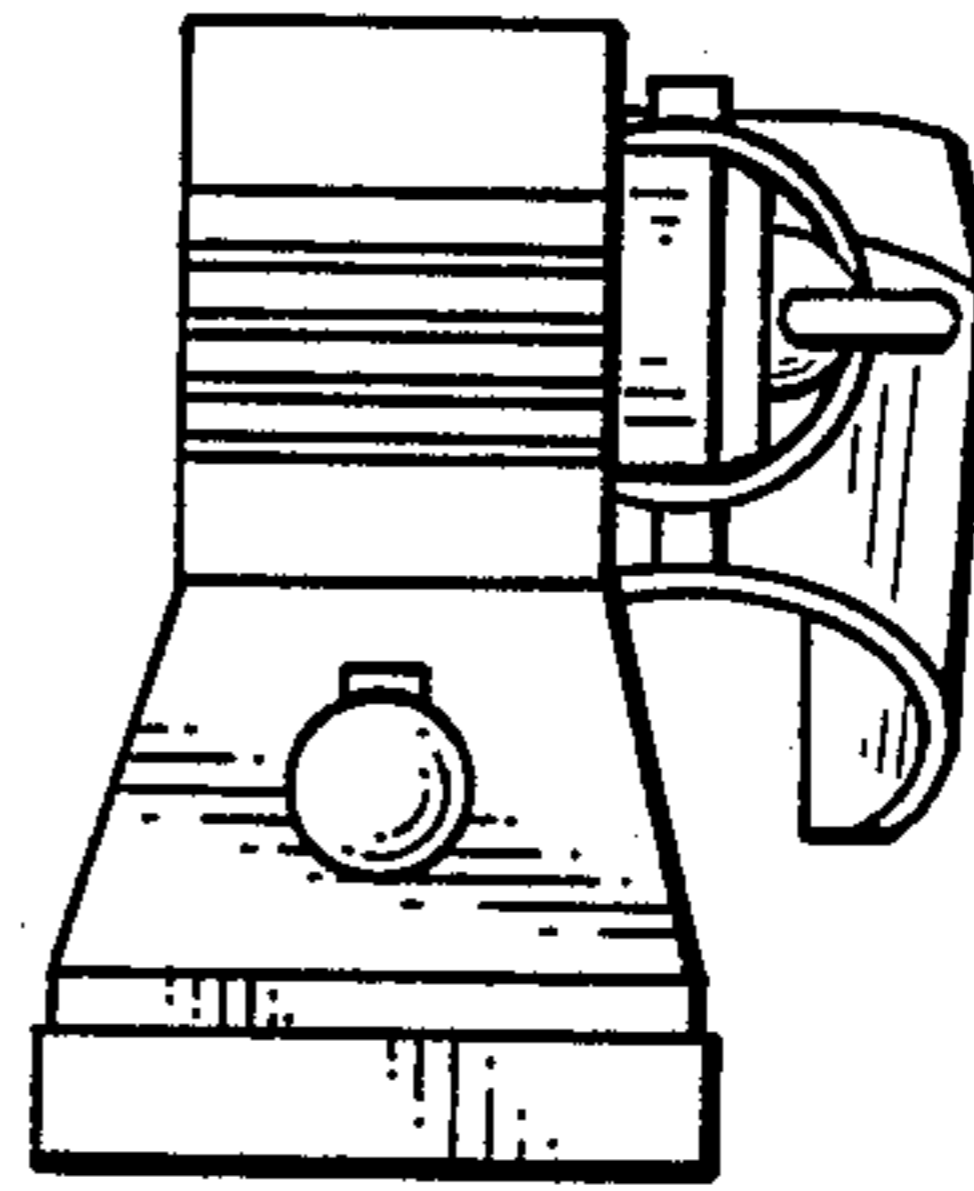


Fig. 7

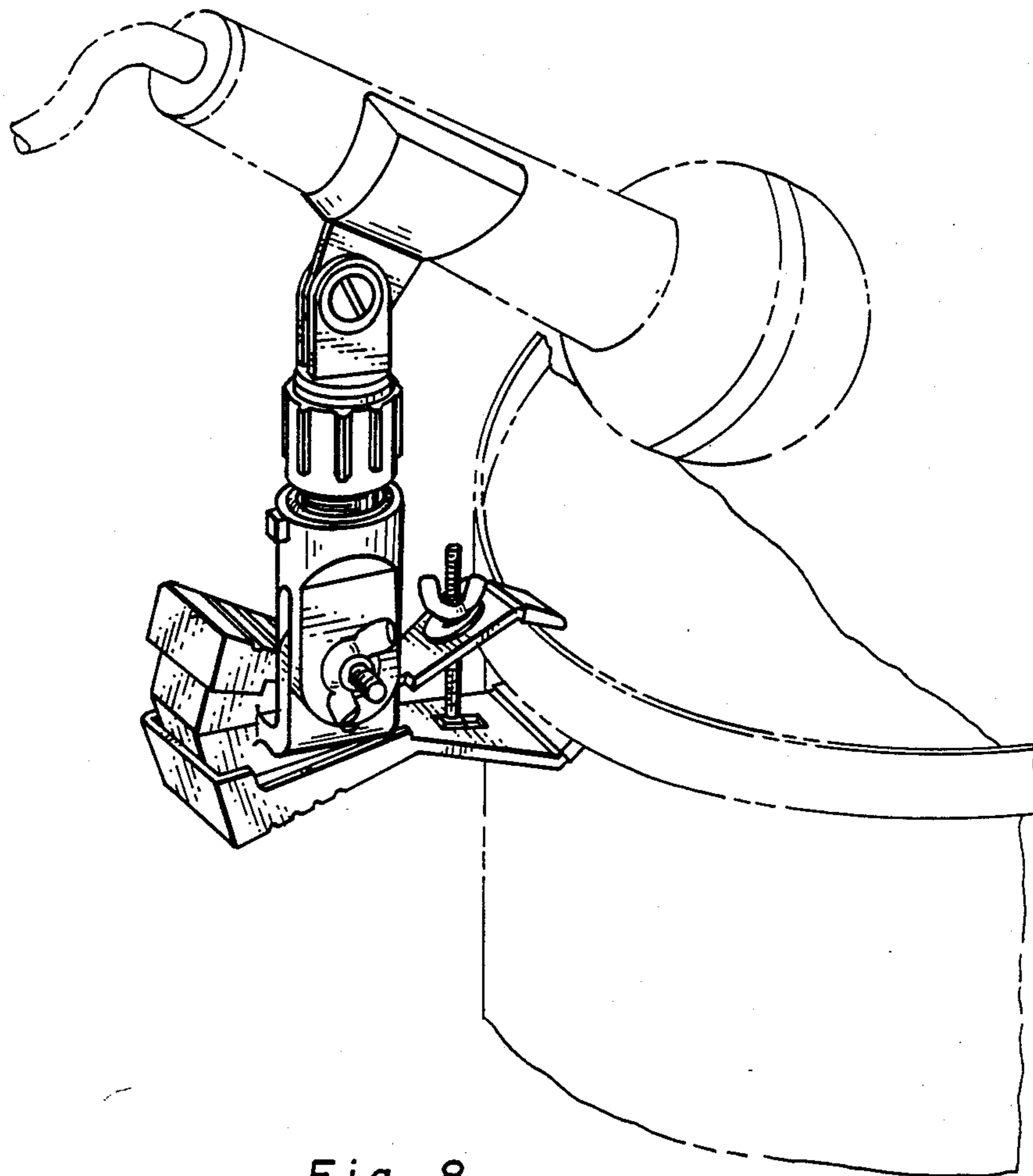


Fig. 8