

[54] TELEPHONE

D. 299,717 2/1989 Fukutome D14/144 X
D. 300,216 3/1989 Iino D14/151

[75] Inventor: Masaaki Iino, Yokohama, Japan

[73] Assignee: Kabushiki Kaisha Toshiba,
Kanagawa, Japan

[**] Term: 14 Years

[21] Appl. No.: 165,571

[22] Filed: Mar. 8, 1988

[30] Foreign Application Priority Data

Sep. 17, 1987 [JP] Japan 62-37684

[52] U.S. Cl. D14/151; D14/142

[58] Field of Search D14/151, 142, 141, 140,
D14/149, 248; 379/440, 436, 434, 432, 428, 419,
420

[56] References Cited

U.S. PATENT DOCUMENTS

- D. 284,003 5/1986 Tomura D14/142
- D. 291,565 8/1987 Okuda D14/151 X
- D. 293,670 1/1988 Gauffin et al. D14/151 X
- D. 294,251 2/1988 Sekiguchi et al. D14/151 X
- D. 297,935 10/1988 Kurosu D14/151
- D. 298,320 11/1988 Hirose et al. D14/151
- D. 298,619 11/1988 Kuo D14/151
- D. 298,936 11/1988 Ohta et al. D14/151
- D. 299,228 1/1989 Kurosu et al. D14/151 X

OTHER PUBLICATIONS

B. A. Pargh Co. Inc., 1987 catalog ©1987: p. 291,
"Panasonic" Featurephone; p. 284; WebCor, Fun But-
ton; p. 281, Sharp; p. 277; Sony ITK500SSy.
Sanyo Catalogue-TEL-K105-Jun. 24, 1986.
NTT (Nippon Telegraph and Telephone Corporation-
)-Howdy Response/Response-E-Feb. 4, 1987.
Sony-IT-A40-Mar. 28, 1986.

Primary Examiner—Horace B. Fay, Jr.
Attorney, Agent, or Firm—Banner, Birch, McKie &
Beckett

[57] CLAIM

The ornamental design for a telephone as shown and
described.

DESCRIPTION

FIG. 1 is a top, front and right side perspective view of
a telephone showing my new design,
FIG. 2 is a front elevational view thereof,
FIG. 3 is a rear elevational view thereof,
FIG. 4 is a top plan view thereof,
FIG. 5 is a bottom plan view thereof,
FIG. 6 is a left side elevational view thereof, and
FIG. 7 is a top, front and right side perspective view
thereof in separated position.

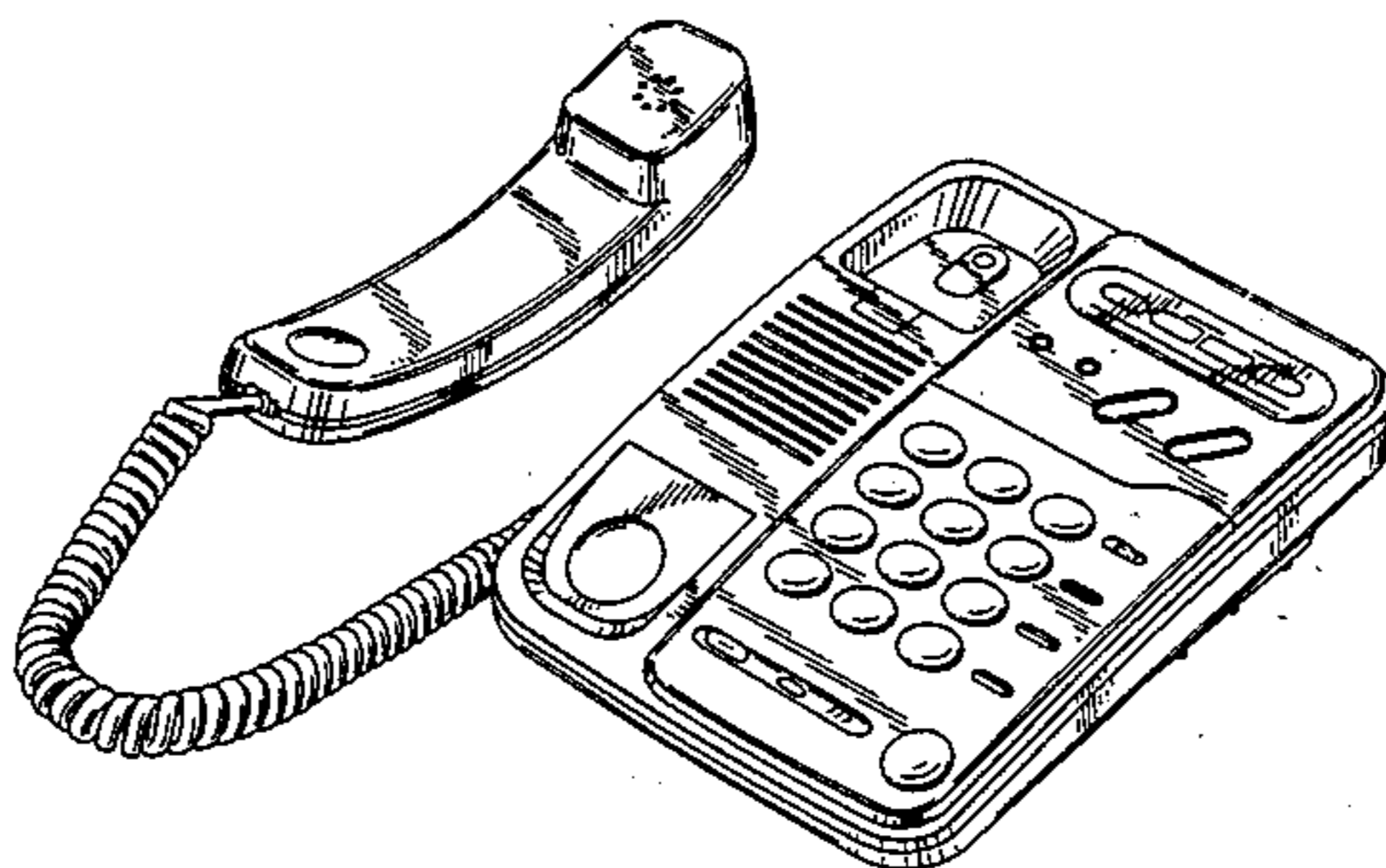
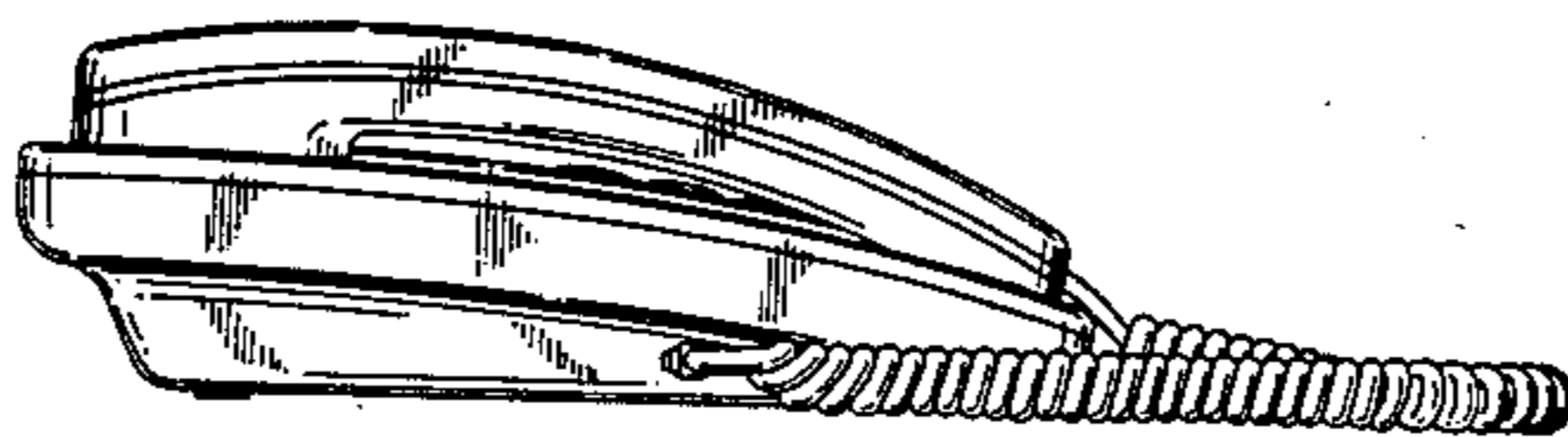


FIG. 1

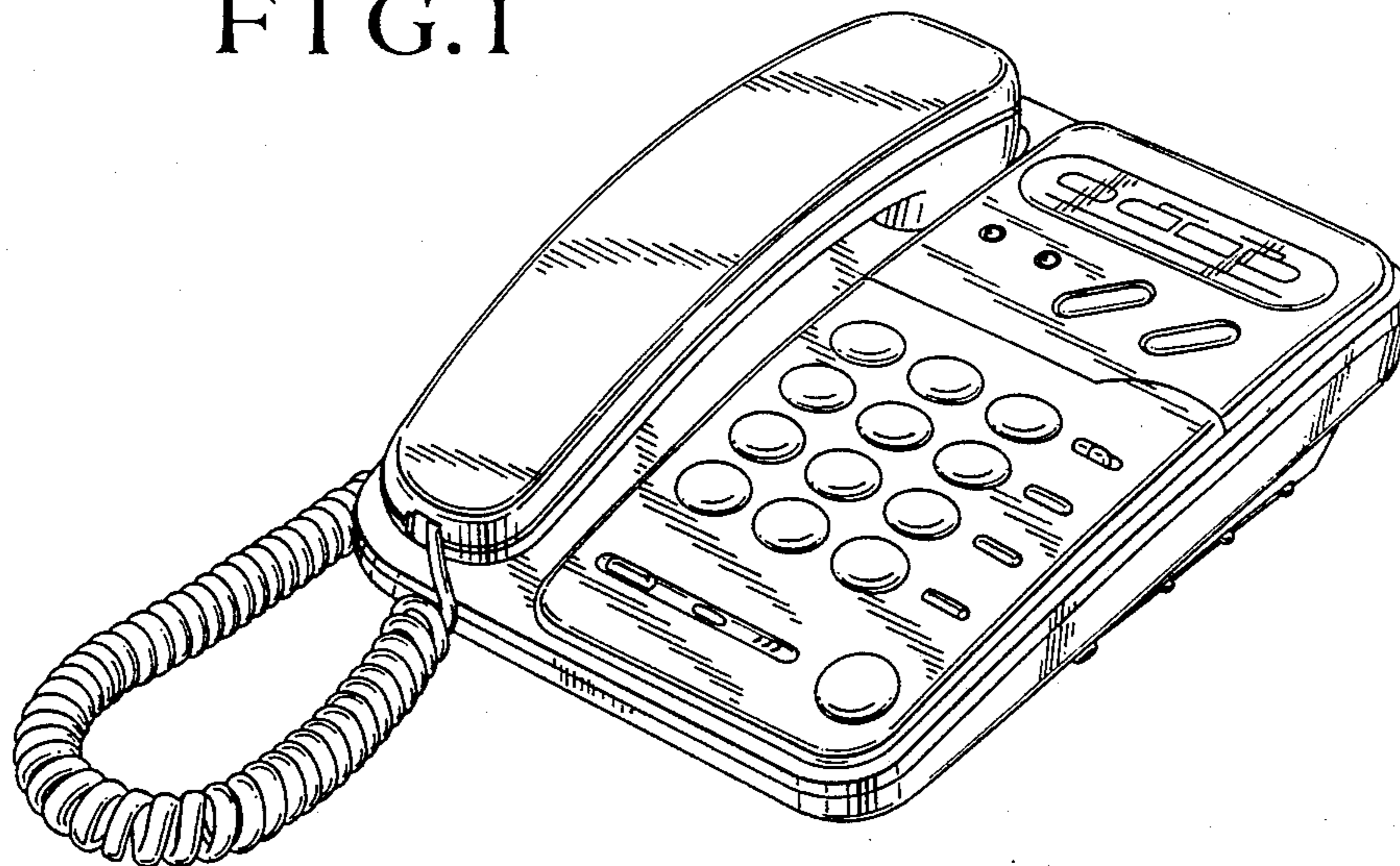


FIG. 2

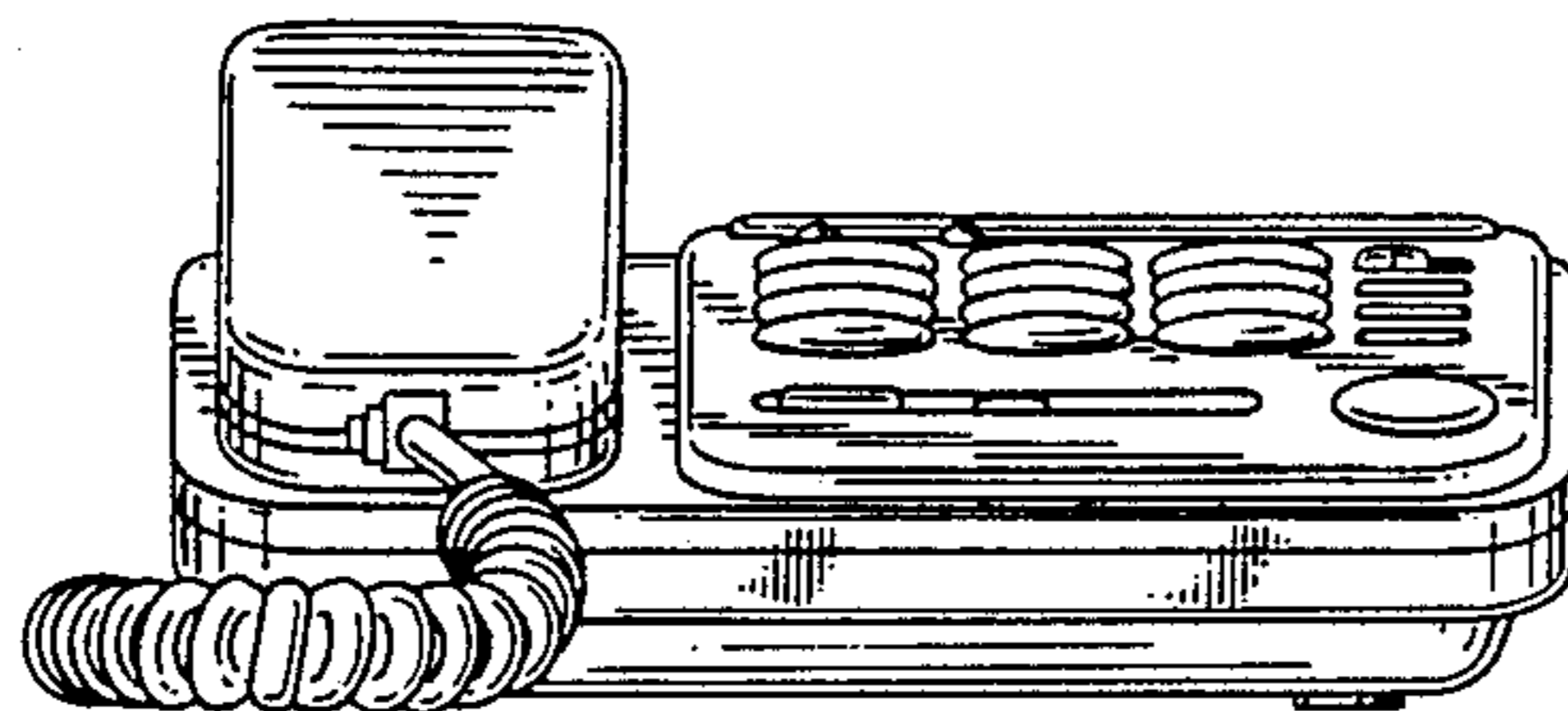
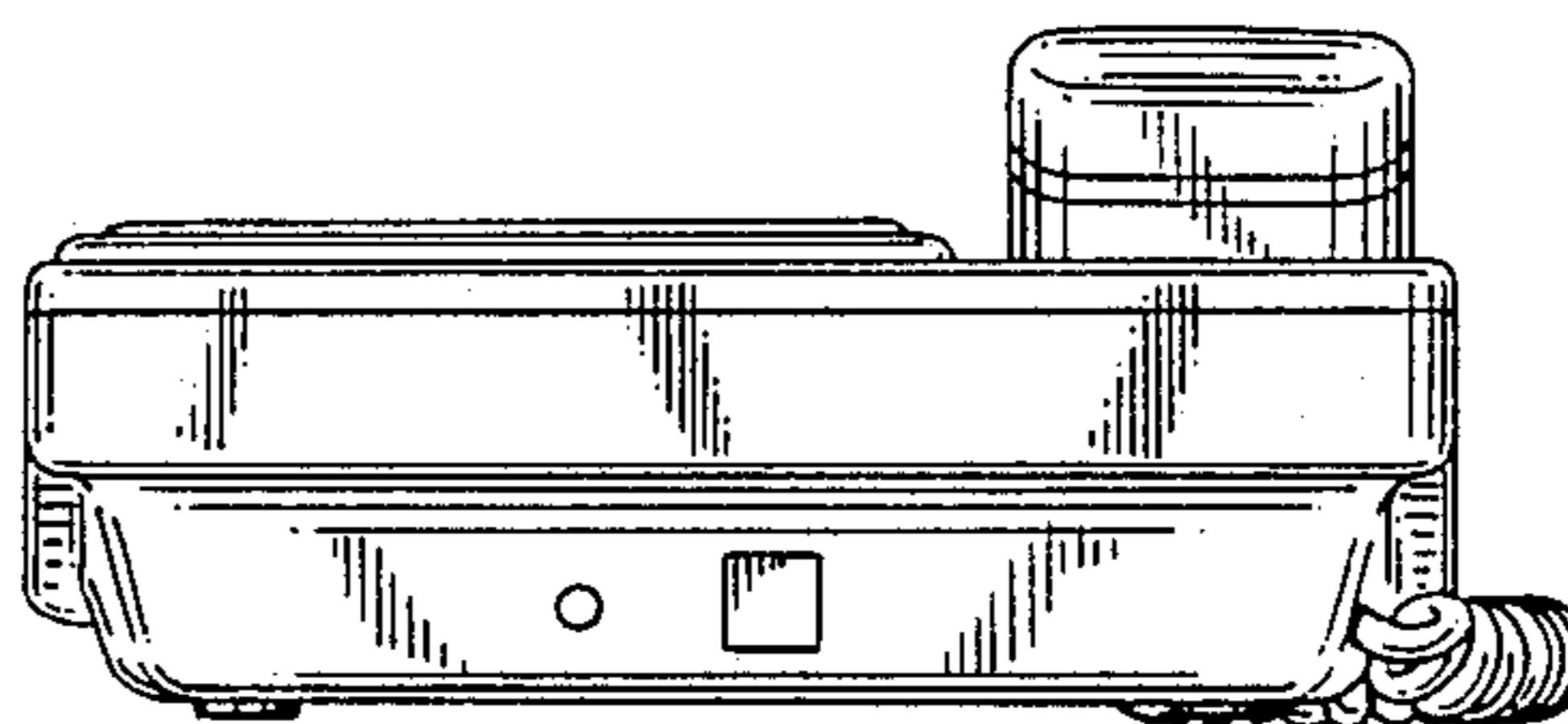


FIG. 3



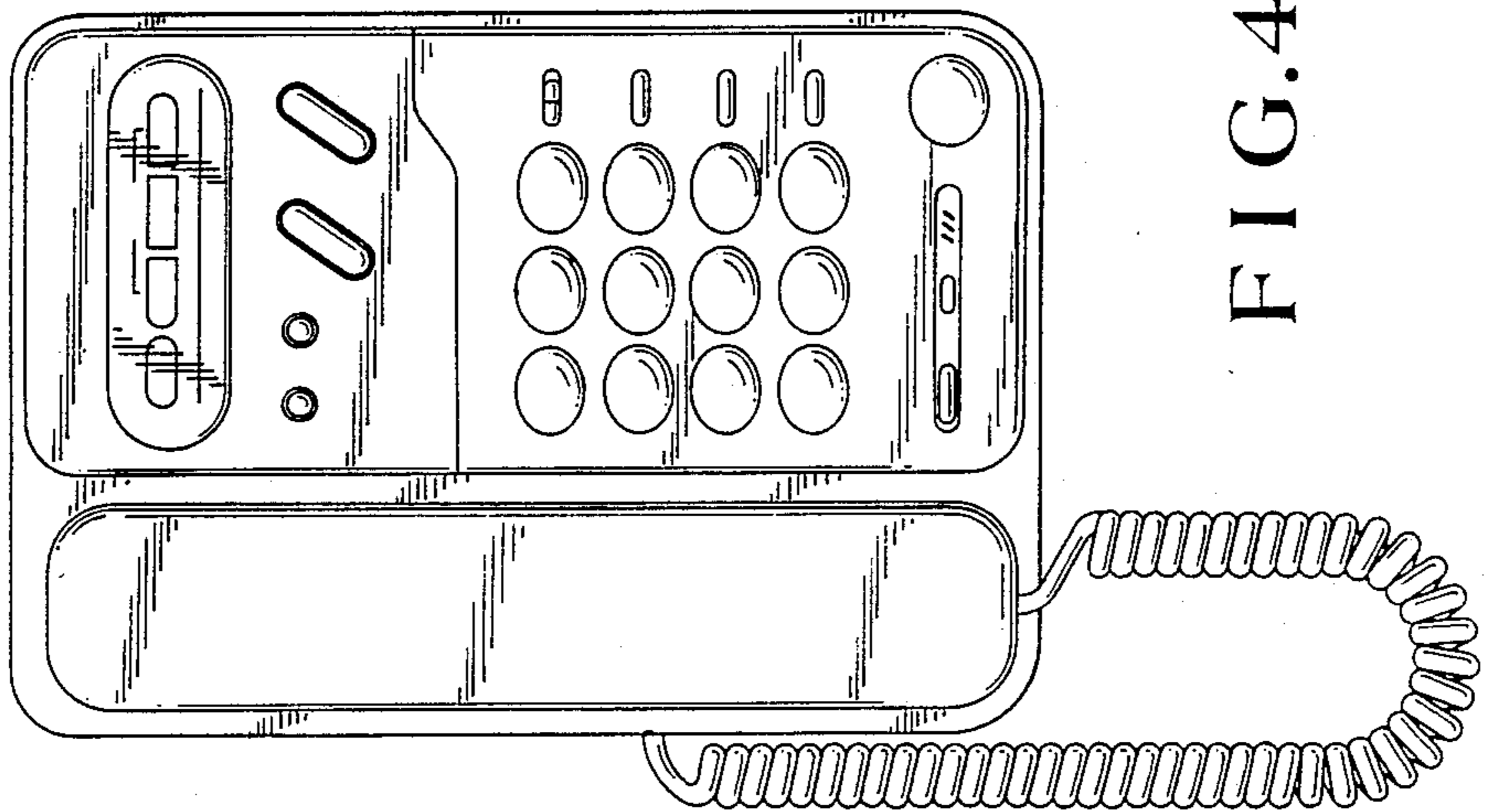
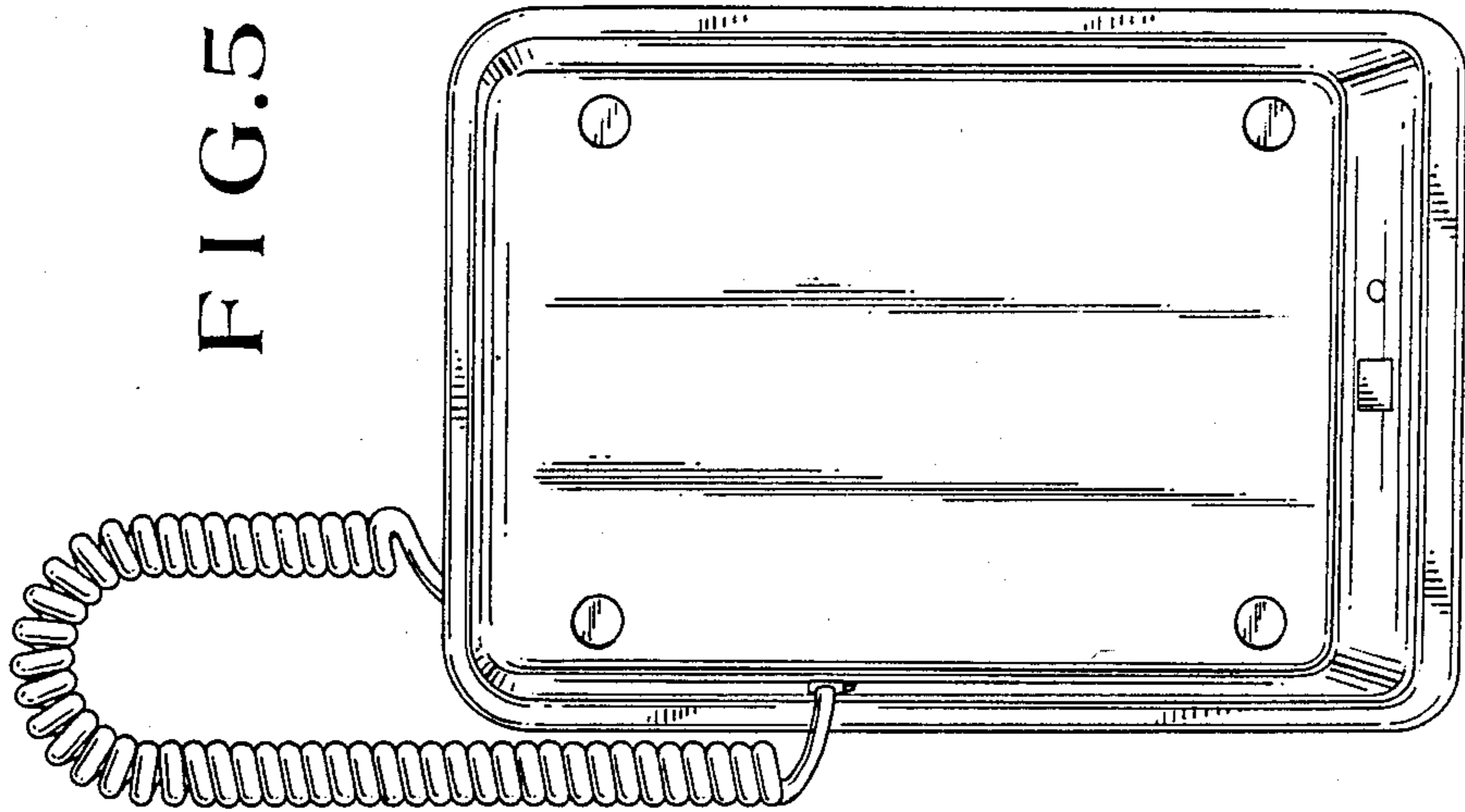


FIG. 6

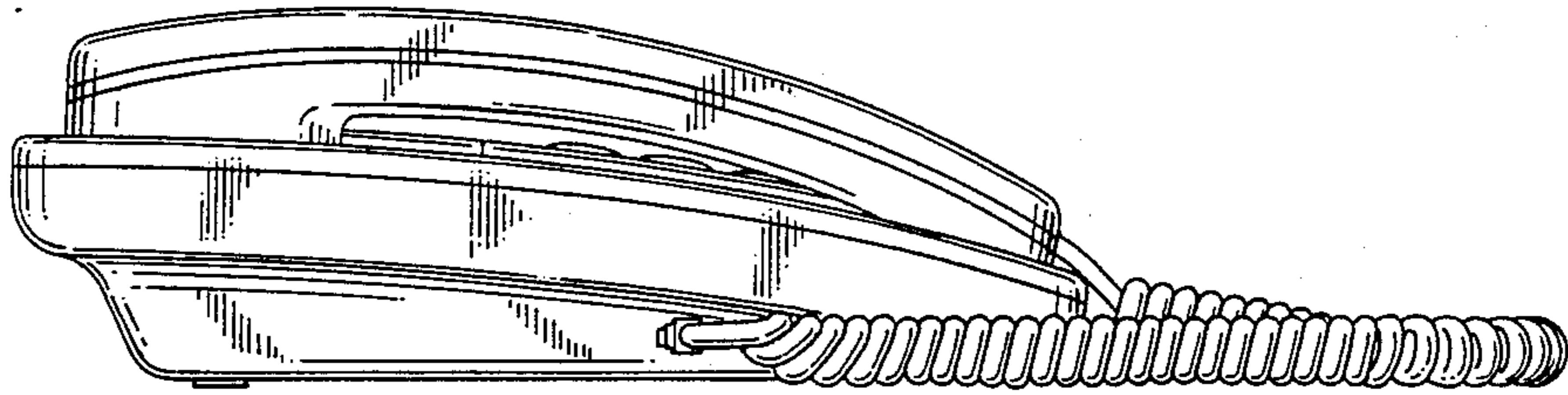


FIG. 7

