

[54] SINGLE WINDOW CONTROLLER

[75] Inventors: Oscar E. Pena, Eindhoven, Netherlands; Peter T. Heyer, St. Paul, Minn.

[73] Assignee: Andersen Corporation, Bayport, Minn.

[\*\*] Term: 14 Years

[21] Appl. No.: 169,728

[22] Filed: Mar. 18, 1988

[52] U.S. Cl. .... D13/38; D13/32

[58] Field of Search ..... D13/11, 12, 19, 32, D13/35, 40, 41, 99; D14/100; D15/138; D18/22; D24/8; D6/443, 447; 315/295; 364/513; 361/42, 331-334, 346; 118/671; 232/24, 31; 455/351; 200/5 R, 6 B

[56] References Cited

U.S. PATENT DOCUMENTS

- D. 261,387 10/1981 Weitz et al. .... D13/12 X
- D. 276,247 11/1984 Kim ..... D13/12 X
- D. 289,306 4/1987 Burnstein et al. .... D13/32 X
- D. 292,204 10/1987 Booty, Sr. et al. .... D13/32 X

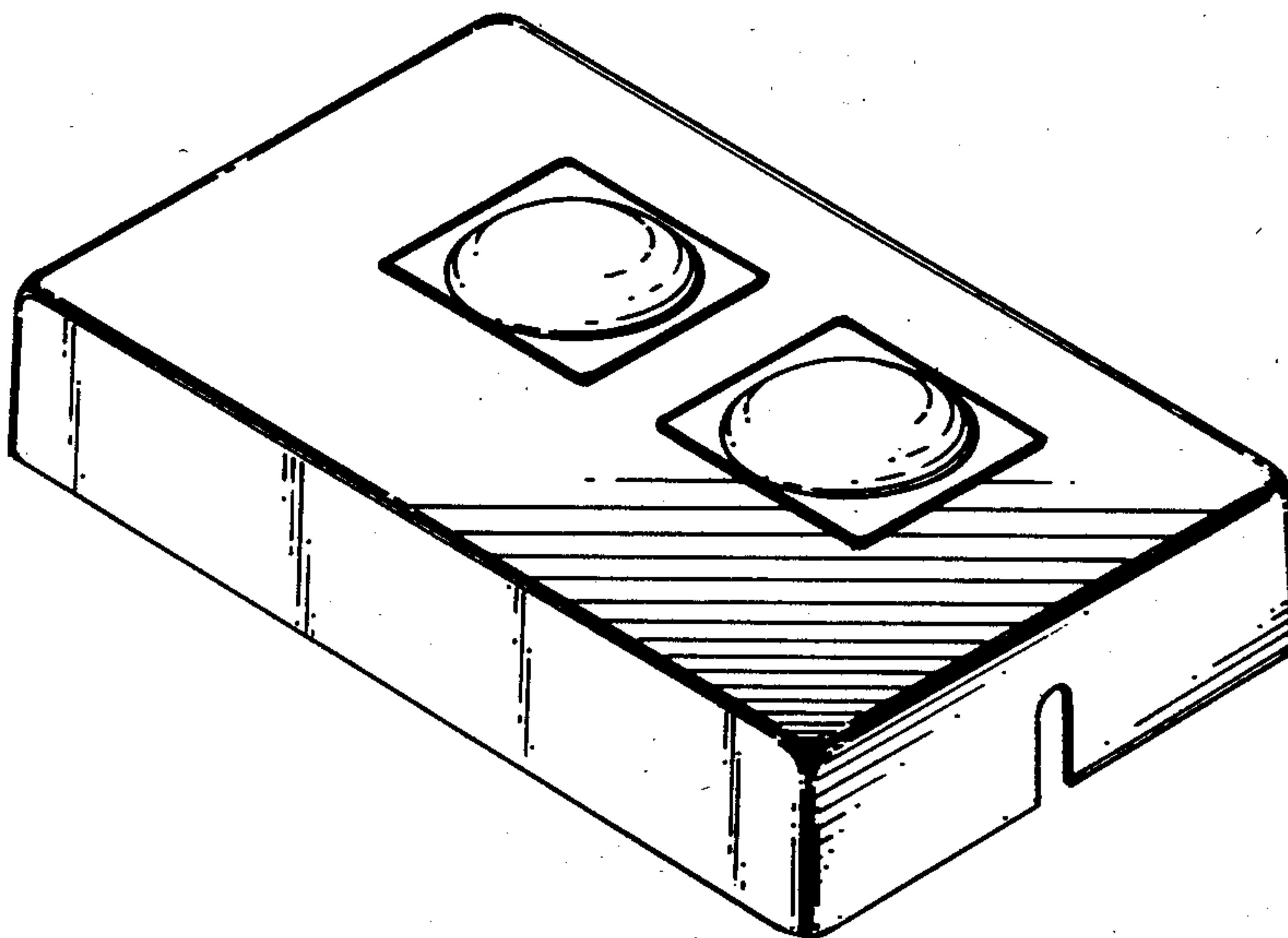
Primary Examiner—Susan J. Lucas  
Assistant Examiner—Joel Sincavage  
Attorney, Agent, or Firm—Merchant, Gould, Smith, Edell, Welter & Schmidt

[57] CLAIM

The ornamental design for single window controller, as shown and described.

DESCRIPTION

FIG. 1 is a perspective view of a single window controller showing our new design;  
FIG. 2 is a left side elevational view thereof;  
FIG. 3 is a right side elevational view thereof;  
FIG. 4 is a top plan view thereof; and  
FIG. 5 is a front elevational view thereof, the rear elevational view being a mirror image.



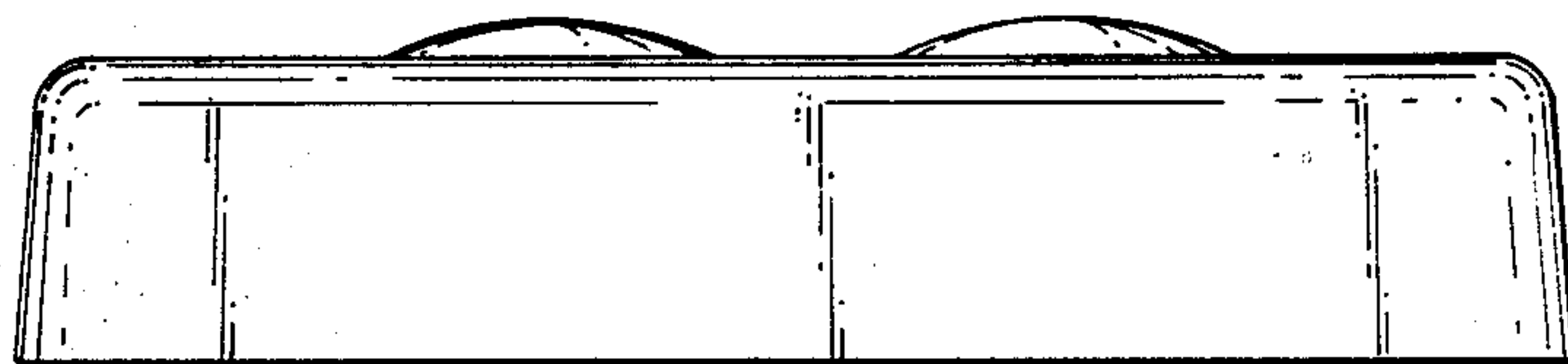
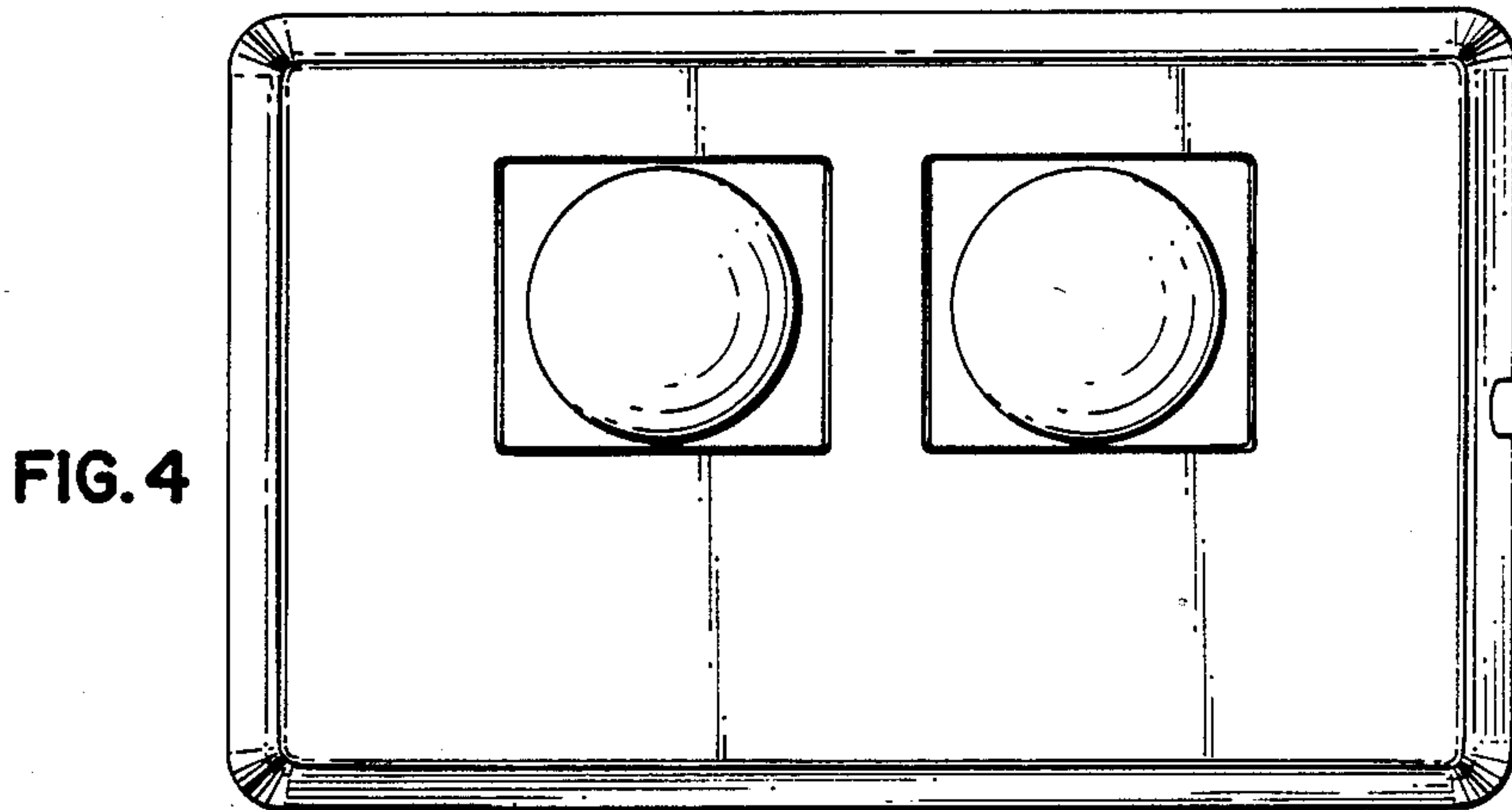
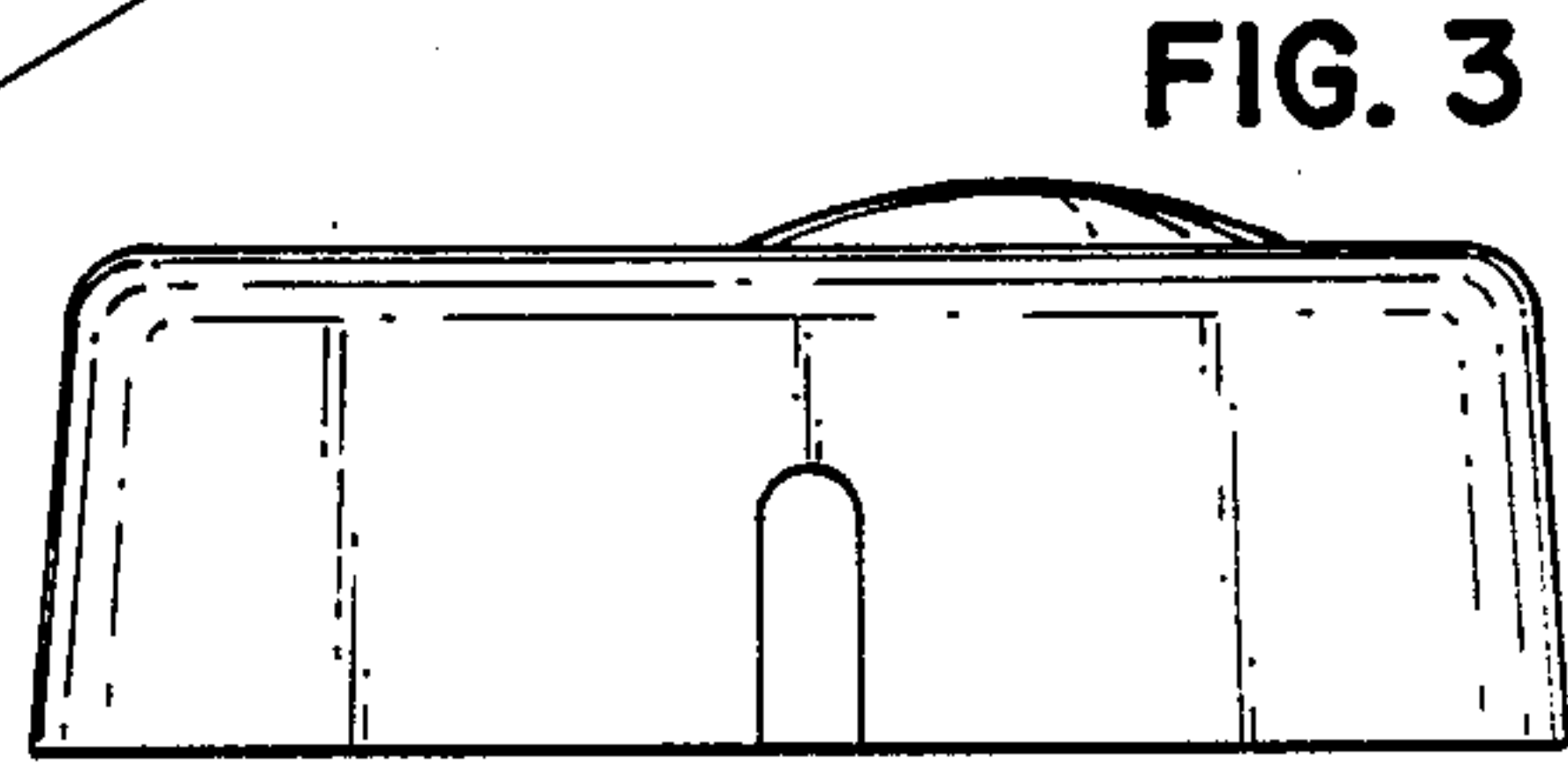
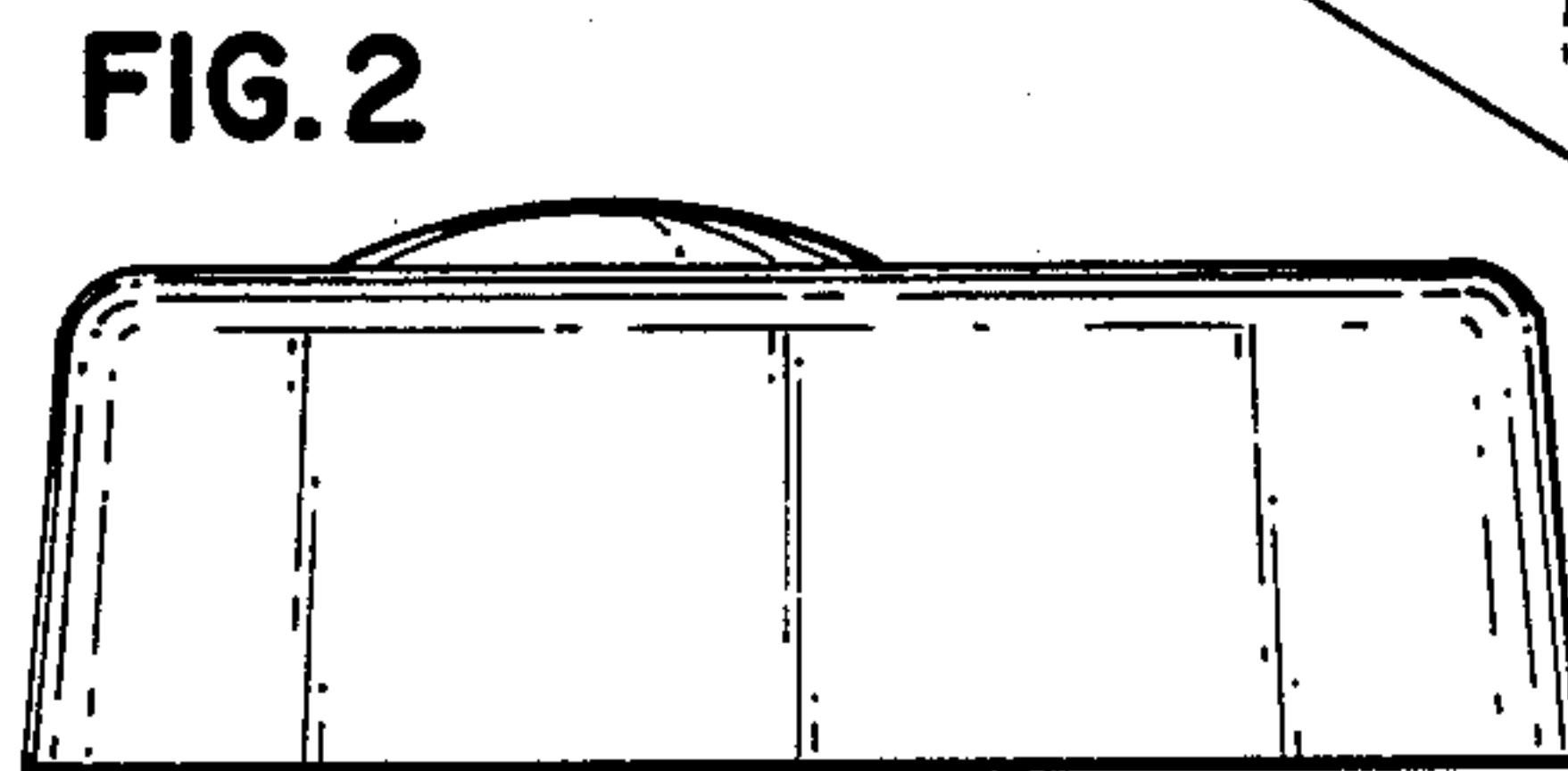
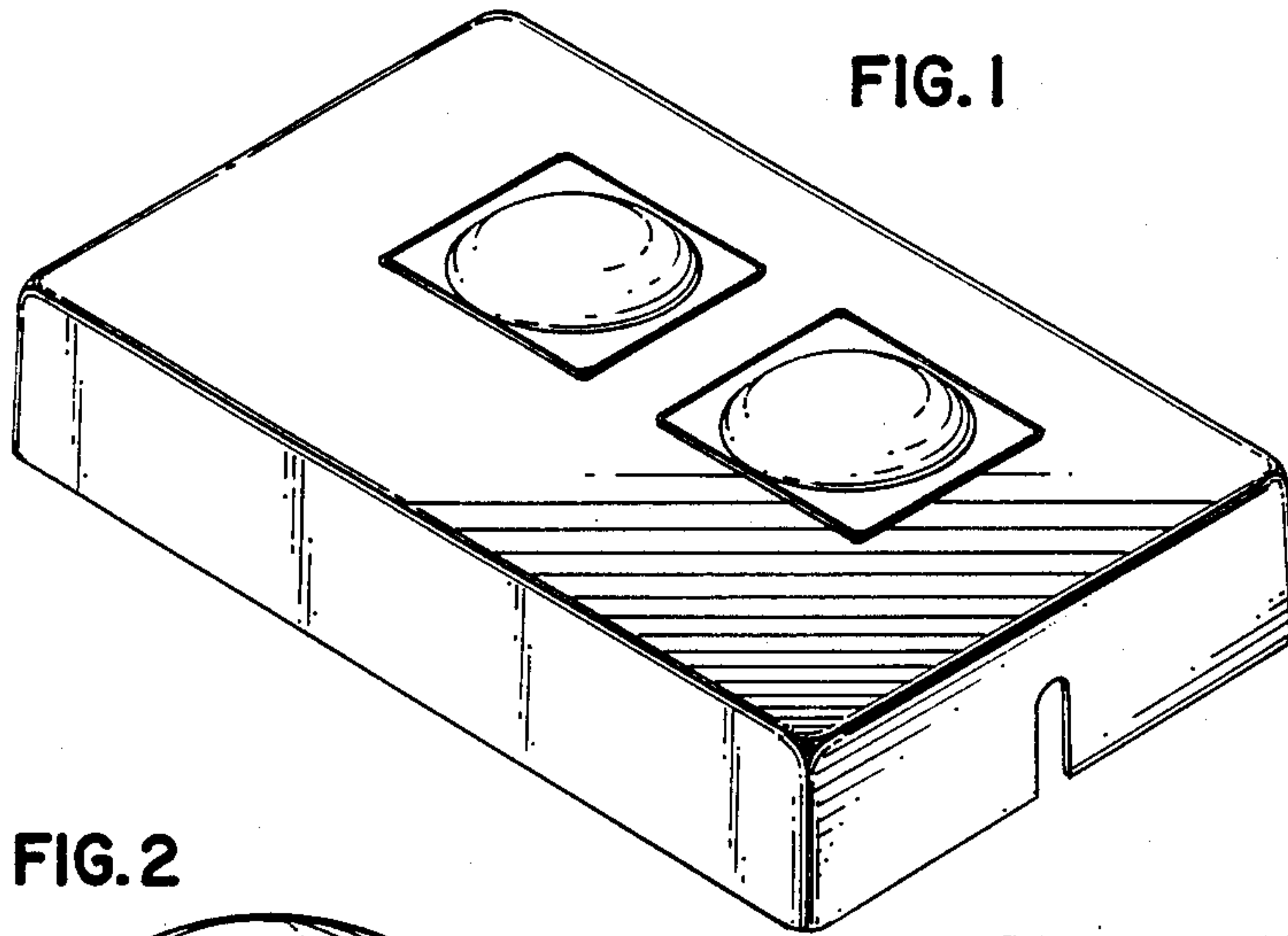


FIG. 5