

# United States Patent [19]

Roche

[11] Patent Number: **Des. 305,015**

[45] Date of Patent: **\*\* Dec. 12, 1989**

[54] **TRAY FOR AN INVALID WALKER**

[76] Inventor: **Cyril J. Roche, 567 Corbett Ave.,  
San Francisco, Calif. 94114**

[\*\*] Term: **14 Years**

[21] Appl. No.: **872,751**

[22] Filed: **Sep. 2, 1986**

[52] U.S. Cl. .... **D12/133**

[58] Field of Search ..... **D12/133; D7/37; 108/46,  
108/47, 49; 297/188, 174, 144, 189; 135/67**

[56] **References Cited**

### U.S. PATENT DOCUMENTS

D. 218,759	9/1970	Foster	.....	D12/133
D. 263,458	3/1982	Milizia	.....	D12/133
2,430,235	11/1947	Mendenhall	.....	135/67
3,338,628	2/1967	Evans	.....	108/47
3,957,071	9/1975	Kenner	.....	135/67

4,074,683	2/1978	Di Chiara	.....	135/67
4,184,618	1/1980	Jones	.....	224/42.46 R
4,662,676	5/1987	Havelock	.....	D12/133
4,795,210	1/1989	Milat	.....	297/188

*Primary Examiner*—Wallace R. Burke

*Assistant Examiner*—Kay H. Chin

*Attorney, Agent, or Firm*—Henderson & Sturm

[57] **CLAIM**

The ornamental design for a tray for an invalid walker, as shown and described.

### DESCRIPTION

FIG. 1 is a top perspective view of a tray for an invalid walker showing my new design;  
FIG. 2 is a top plan view thereof;  
FIG. 3 is a bottom plan view thereof; and  
FIG. 4 is a side elevational view thereof, the opposite side elevational view being a mirror image of that shown.

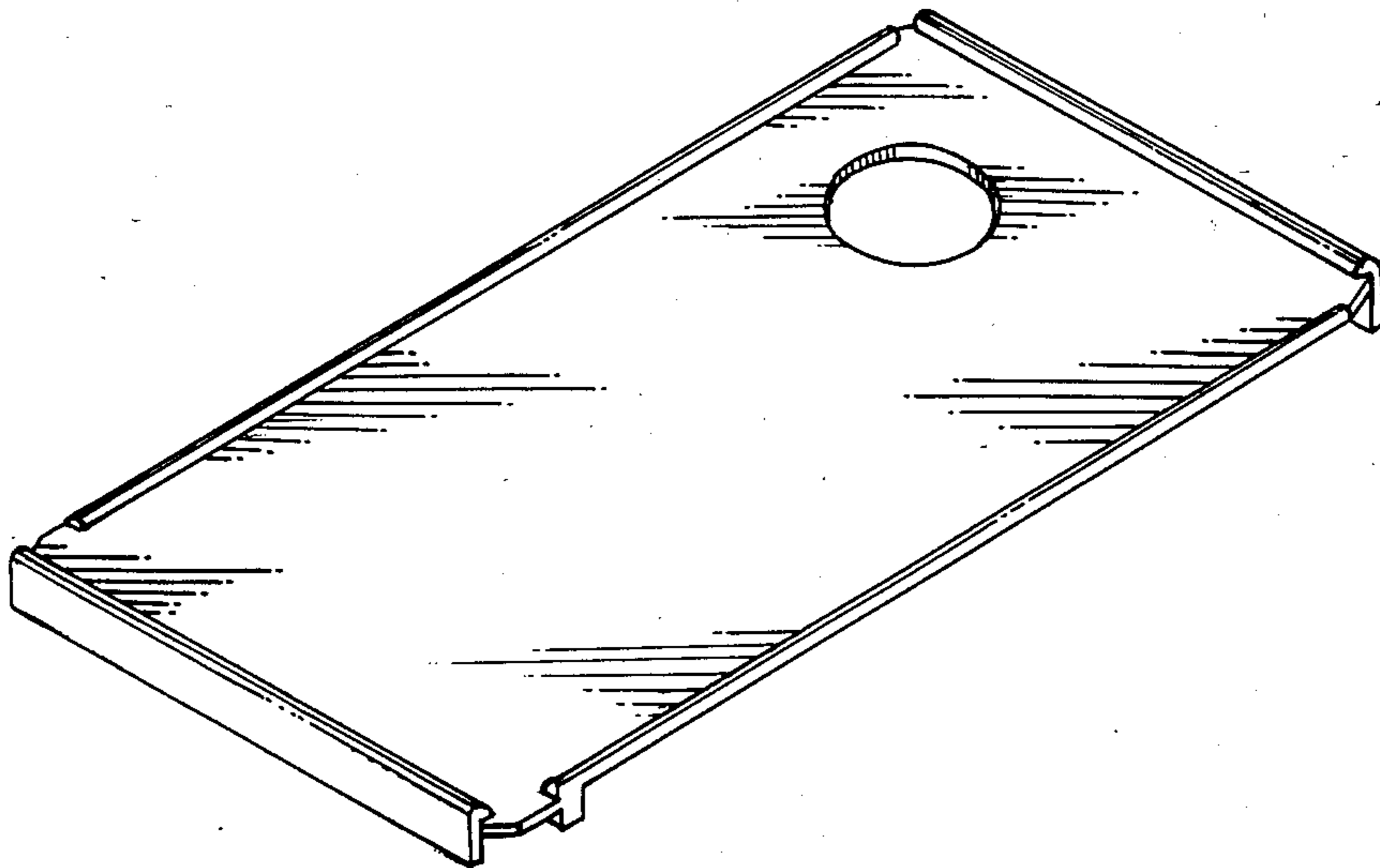


FIG. 1.

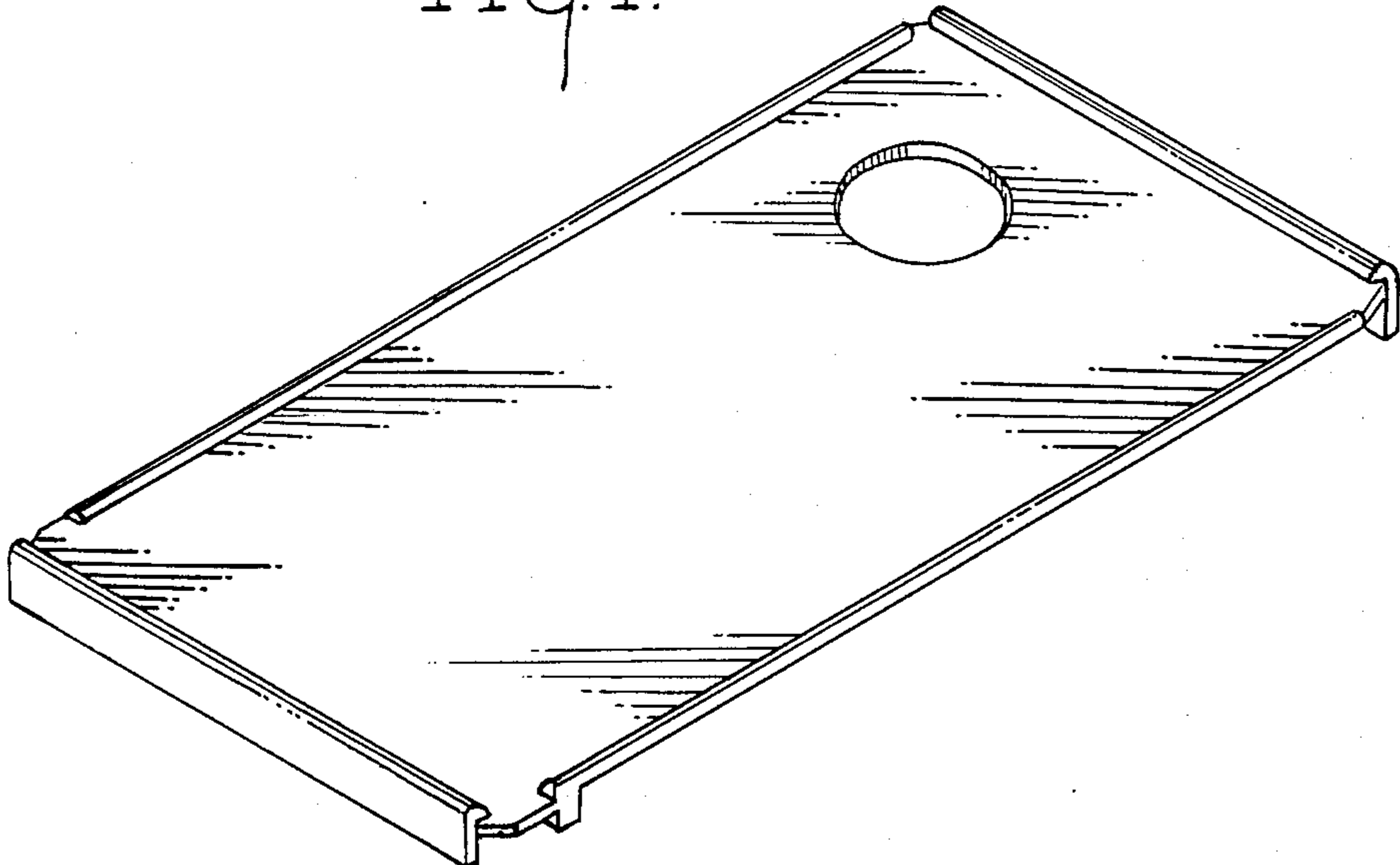


FIG. 2.

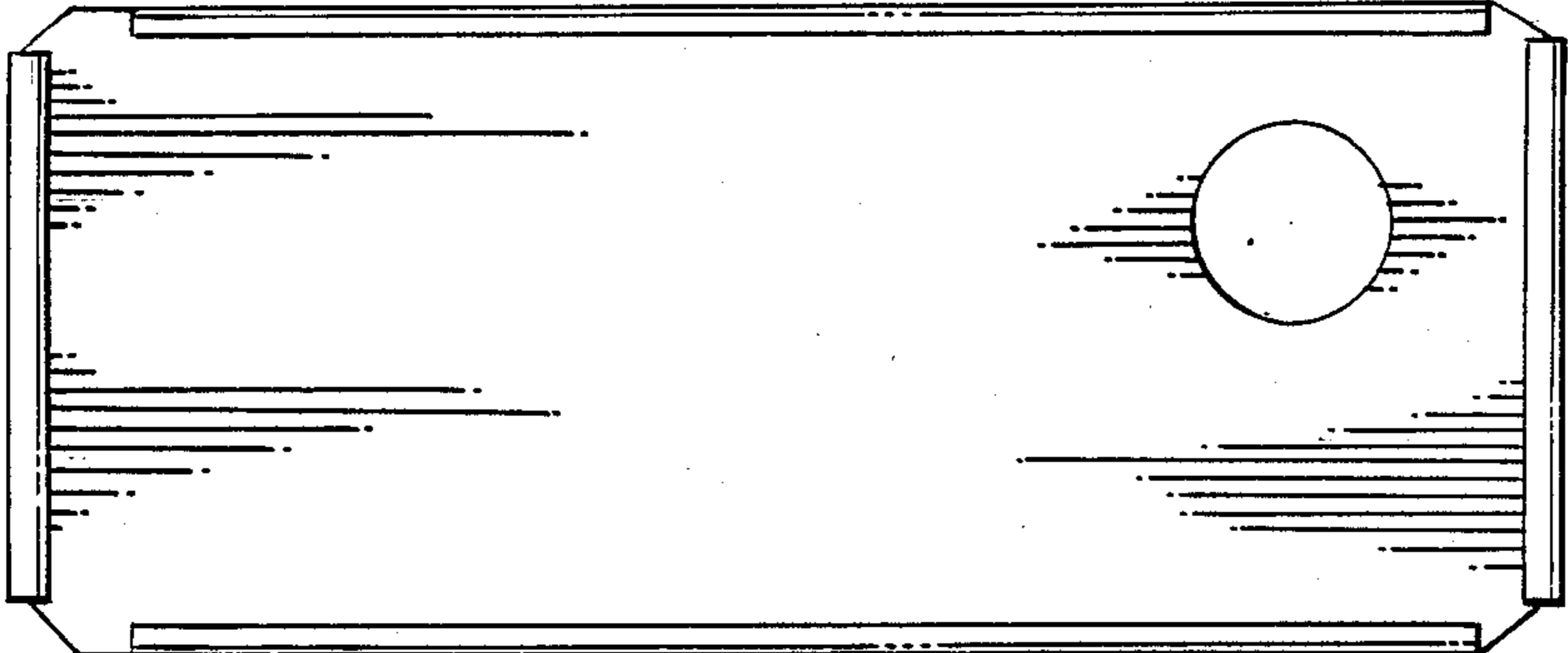


FIG. 3.

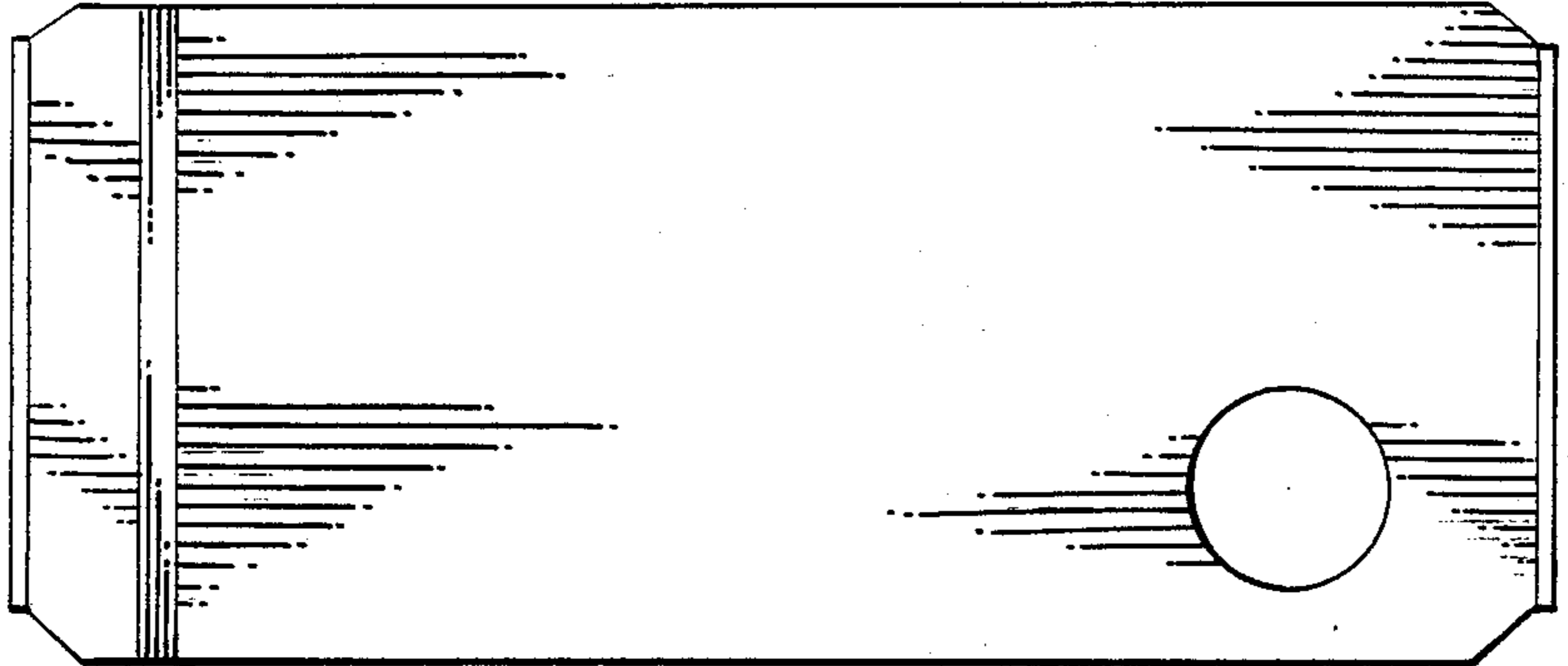


FIG. 4.

