

[54] STROLLER

D. 165,730 1/1952 Abahazi, Jr. D12/129
D. 169,060 3/1953 Eging D12/129

[75] Inventor: Andrew Pipon, El Toro, Calif.

Primary Examiner—Wallace R. Burke
Assistant Examiner—Kay H. Chin
Attorney, Agent, or Firm—George J. Netter

[73] Assignee: Fun-Riders, El Toro, Calif.

[**] Term: 14 Years

[57] CLAIM

[21] Appl. No.: 98,683

The ornamental design for a stroller, as shown and described.

[22] Filed: Sep. 21, 1987

[52] U.S. Cl. D12/129

DESCRIPTION

[58] Field of Search D12/128, 129; 280/647,
280/650, 658, 659; D21/136, 137

FIG. 1 is a perspective view of a stroller showing my new design;

FIG. 2 is a left side elevational view, the right side elevational view being a mirror image of that shown;

FIG. 3 is a top plan view;

FIG. 4 is a bottom plan view;

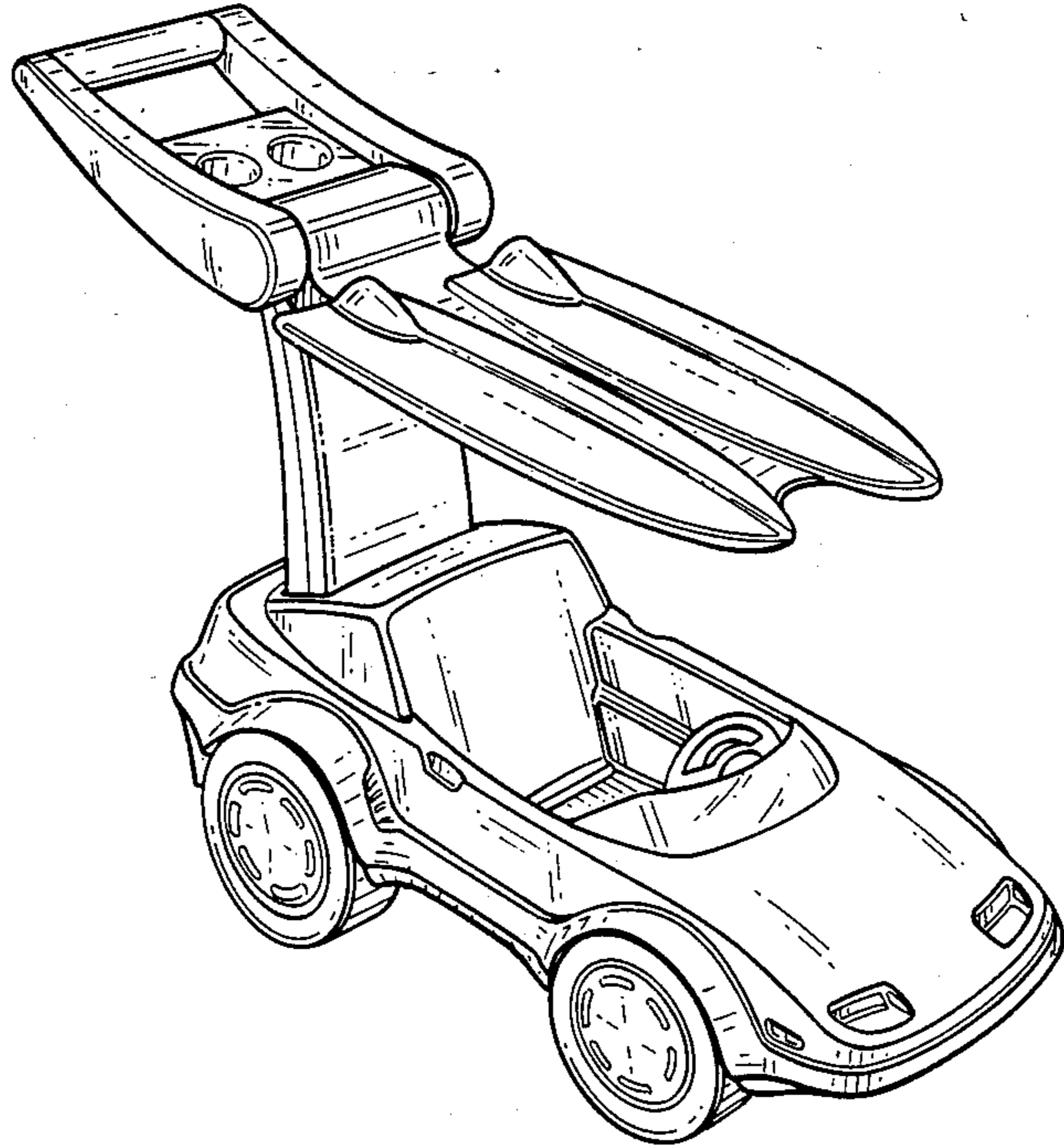
FIG. 5 is a front elevational view; and

FIG. 6 is a rear elevational view.

[56] References Cited

U.S. PATENT DOCUMENTS

- D. 150,255 7/1948 Reinhold D12/129
- D. 155,025 8/1949 Nanna D12/129
- D. 157,737 3/1950 Chance D12/129



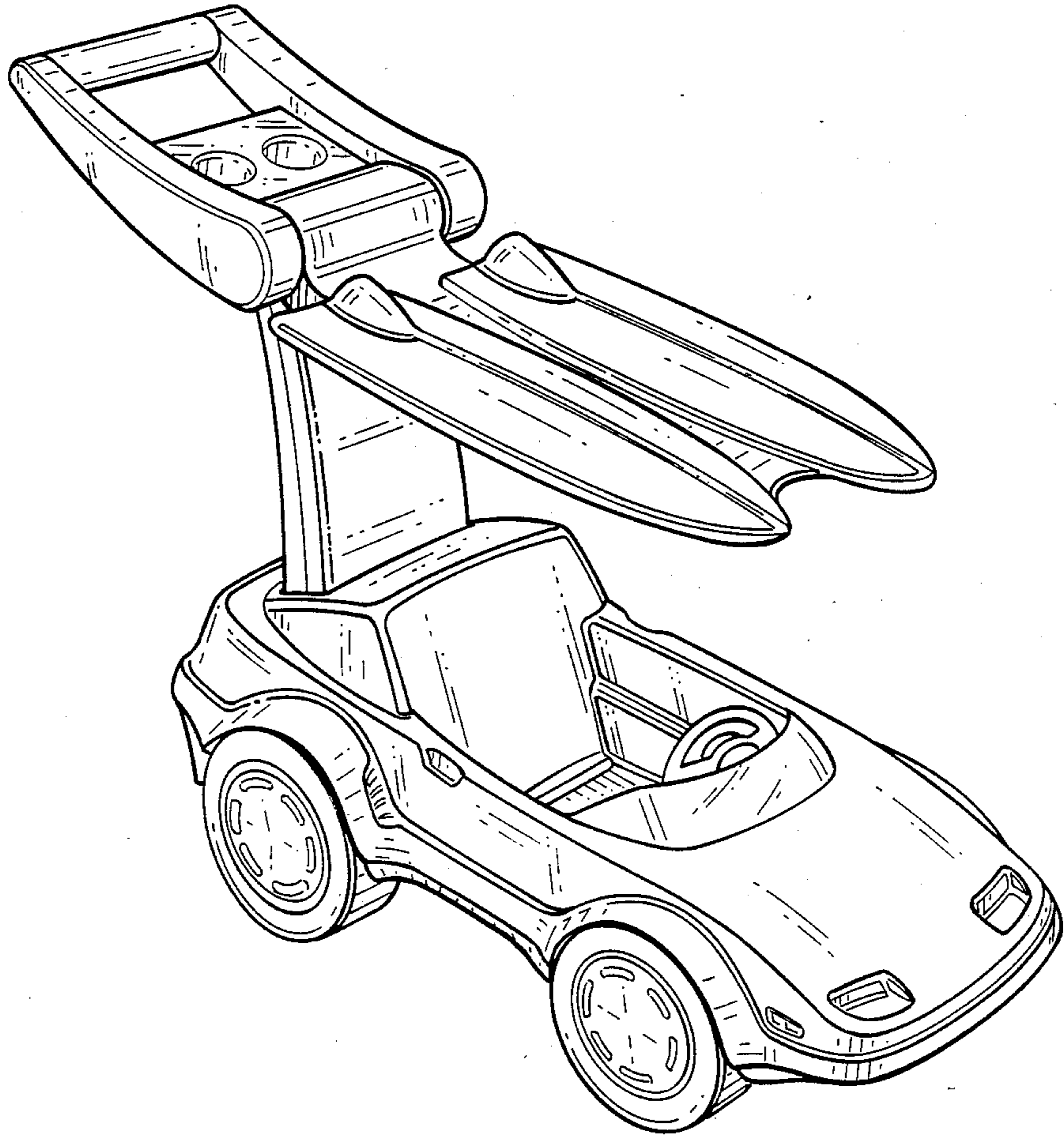


FIG. 1

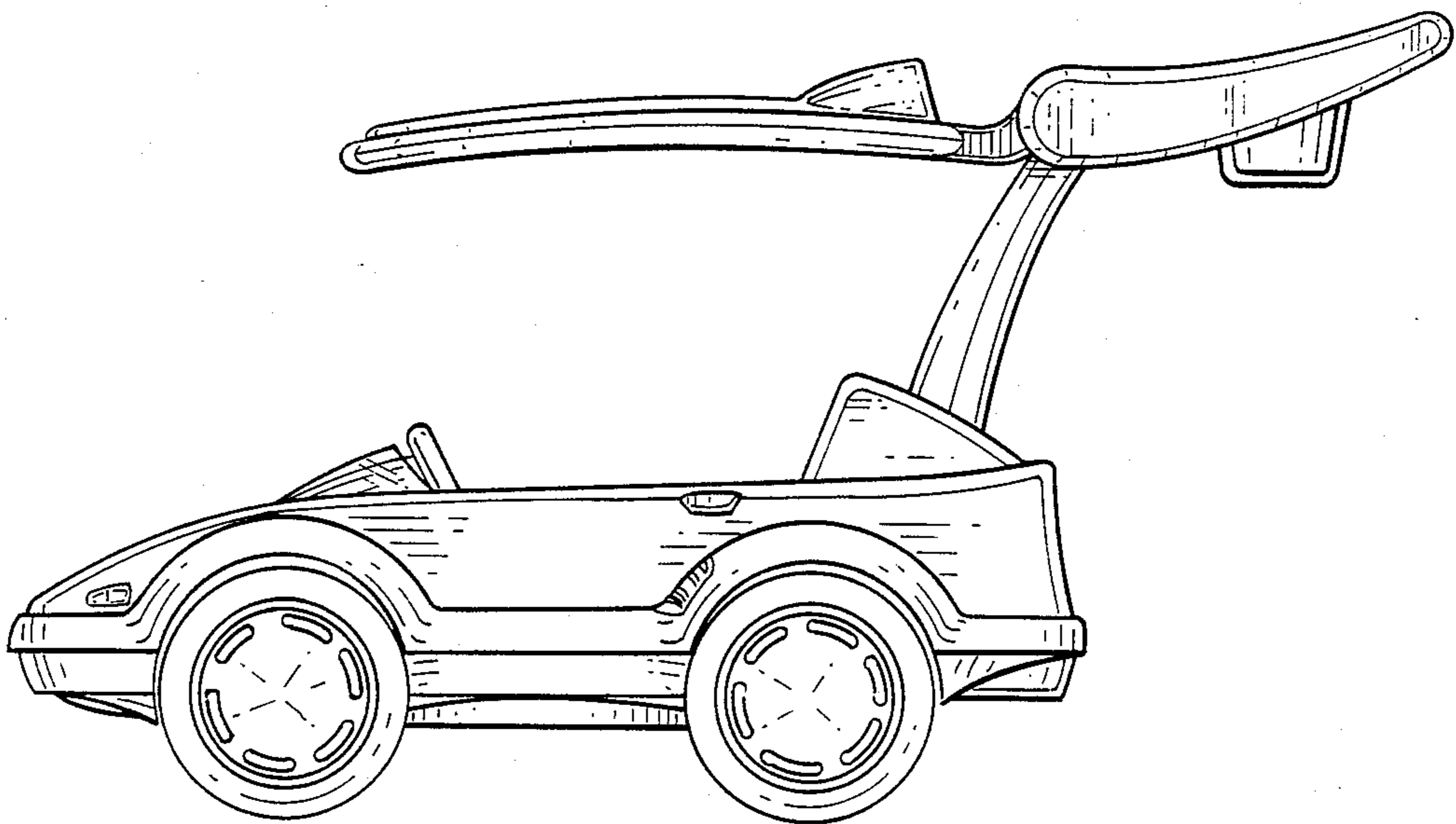


FIG. 2

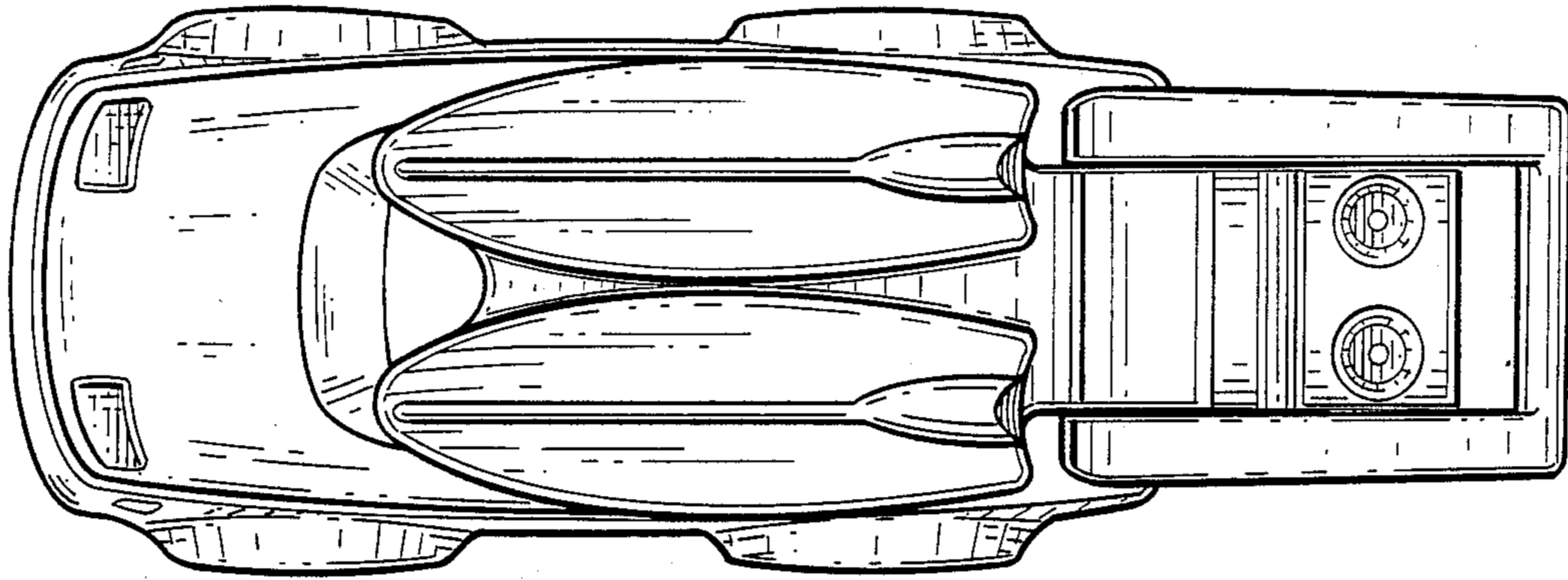


FIG. 3

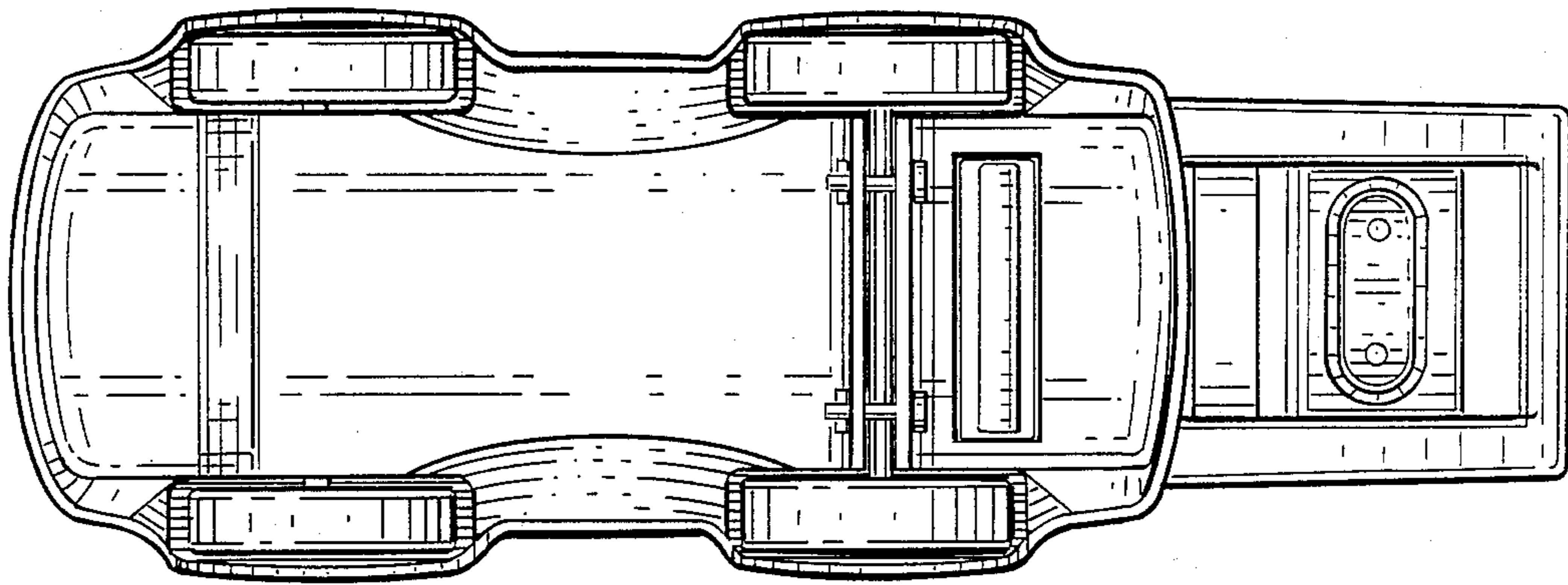


FIG. 4

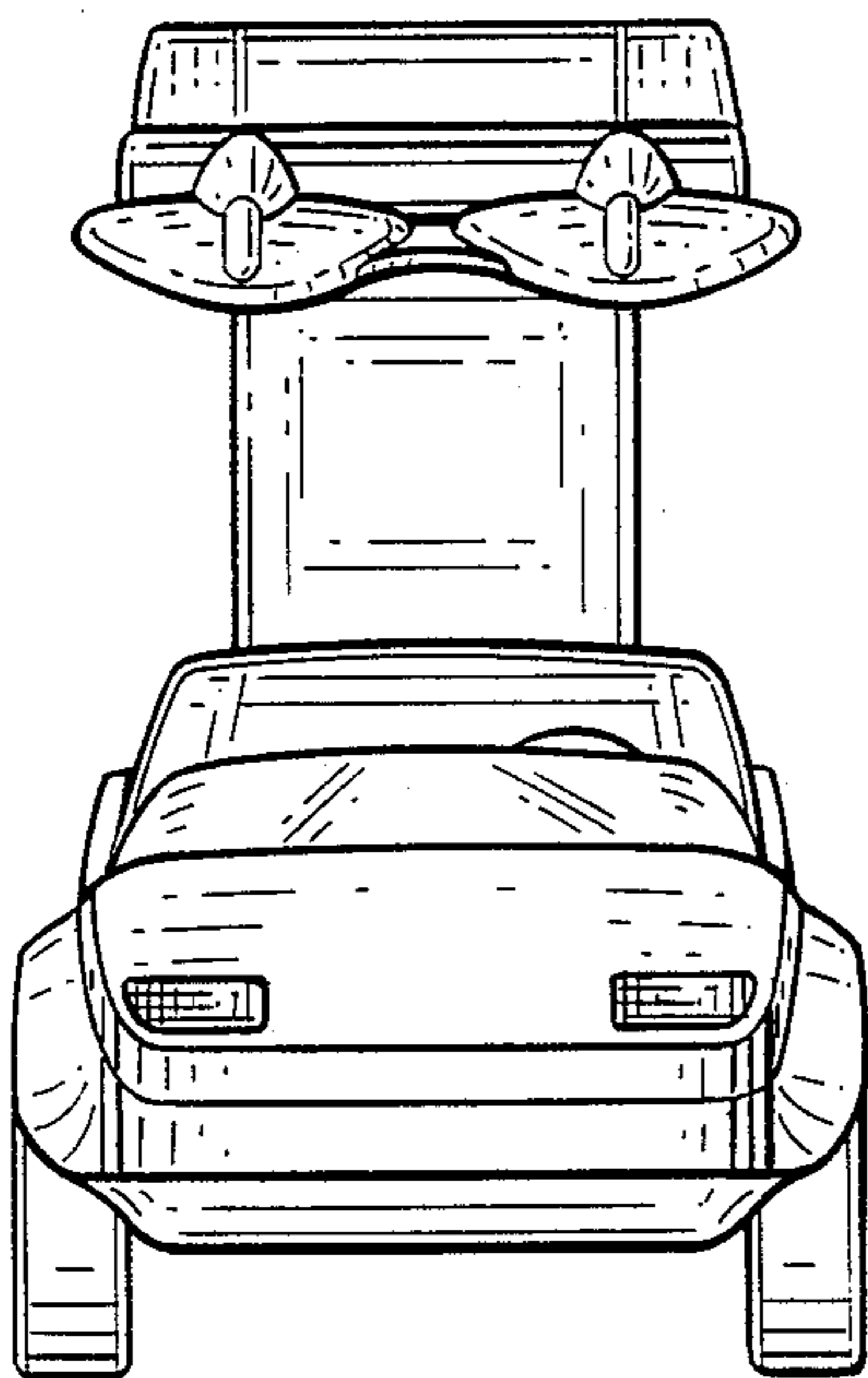


FIG. 5

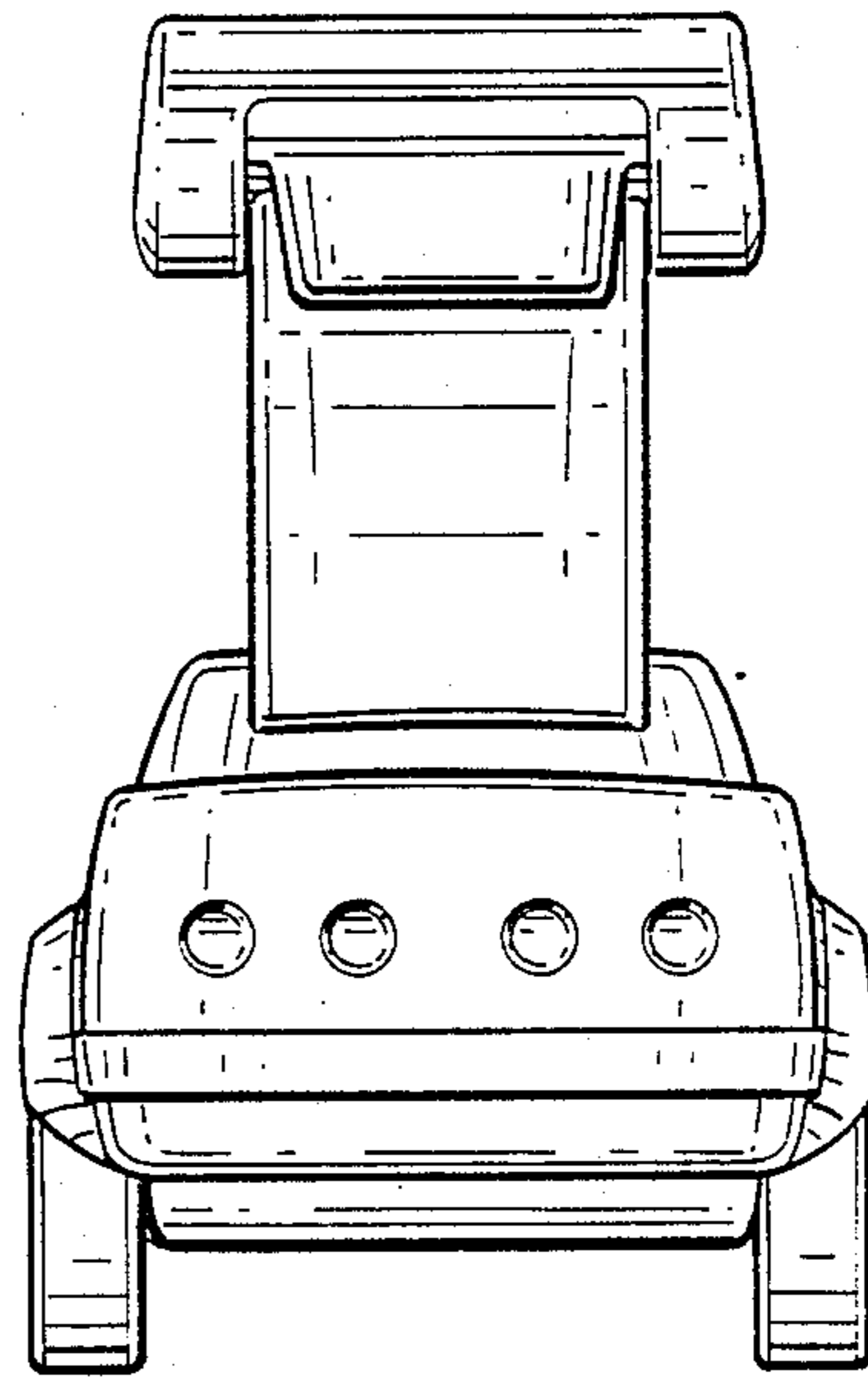


FIG. 6