

[54] TRAILER

[76] Inventor: Robert Page, 72 Dwyer Avenue, Little Bay, N.S.W. 2036, Australia

[\*\*] Term: 14 Years

[21] Appl. No.: 862,401

[22] Filed: May 9, 1986

[52] U.S. Cl. .... D12/105

[58] Field of Search ..... D12/101, 105; 280/63; 296/181

[56] References Cited

U.S. PATENT DOCUMENTS

D. 178,615	8/1956	Ruegg et al. ....	D12/105
D. 205,999	10/1966	Guevara, Jr. et al. ....	D12/101
D. 249,138	8/1978	Butler .....	D12/105
D. 258,207	2/1981	Paulk, Sr. ....	D12/102
D. 263,942	4/1982	Francis .....	D12/101

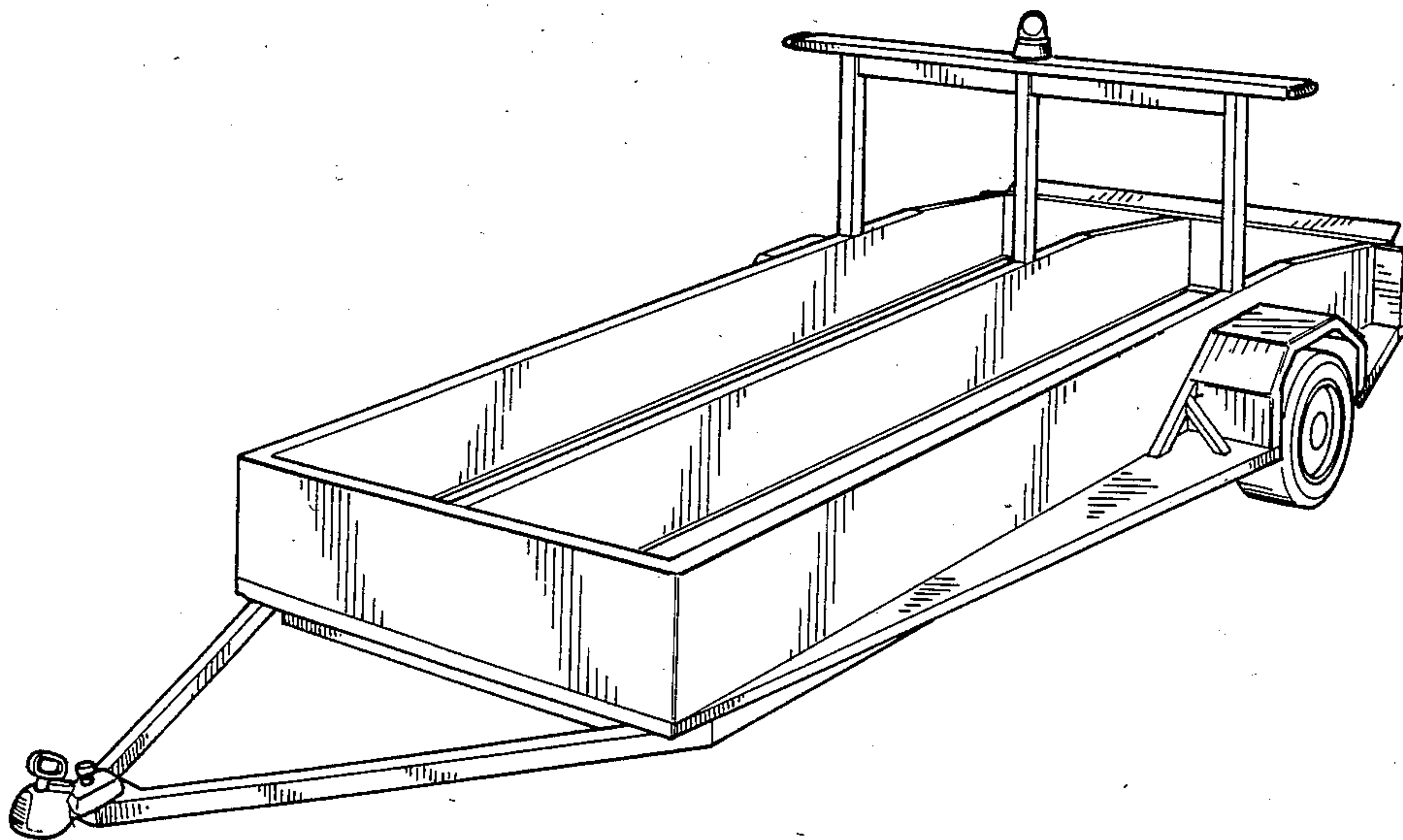
Primary Examiner—James M. Gandy  
Attorney, Agent, or Firm—Anthony A. O'Brien

[57] CLAIM

The ornamental design for a trailer, as shown and described.

DESCRIPTION

FIG. 1 is a perspective view of a trailer showing my new design;  
 FIG. 2 is a top plan view thereof;  
 FIG. 3 is a rear elevation view thereof;  
 FIG. 4 is a rear elevation view thereof with the tailgate and bed in lowered condition;  
 FIG. 5 is a left side elevation view thereof, it being understood that the right side is a mirror image of that shown; and  
 FIG. 6 is a left side elevation view thereof on a reduced scale with the tailgate and bed in lowered condition.



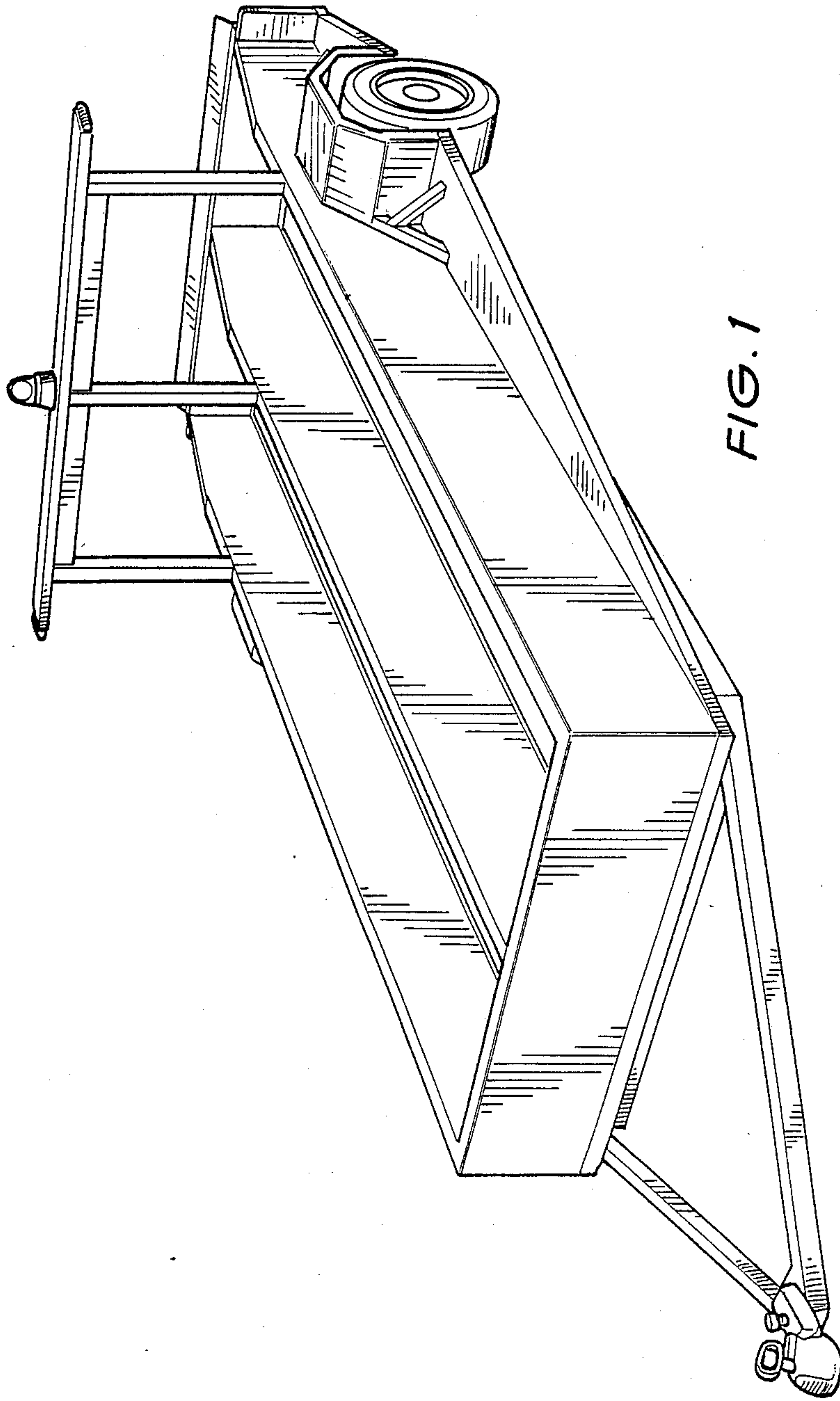


FIG. 1

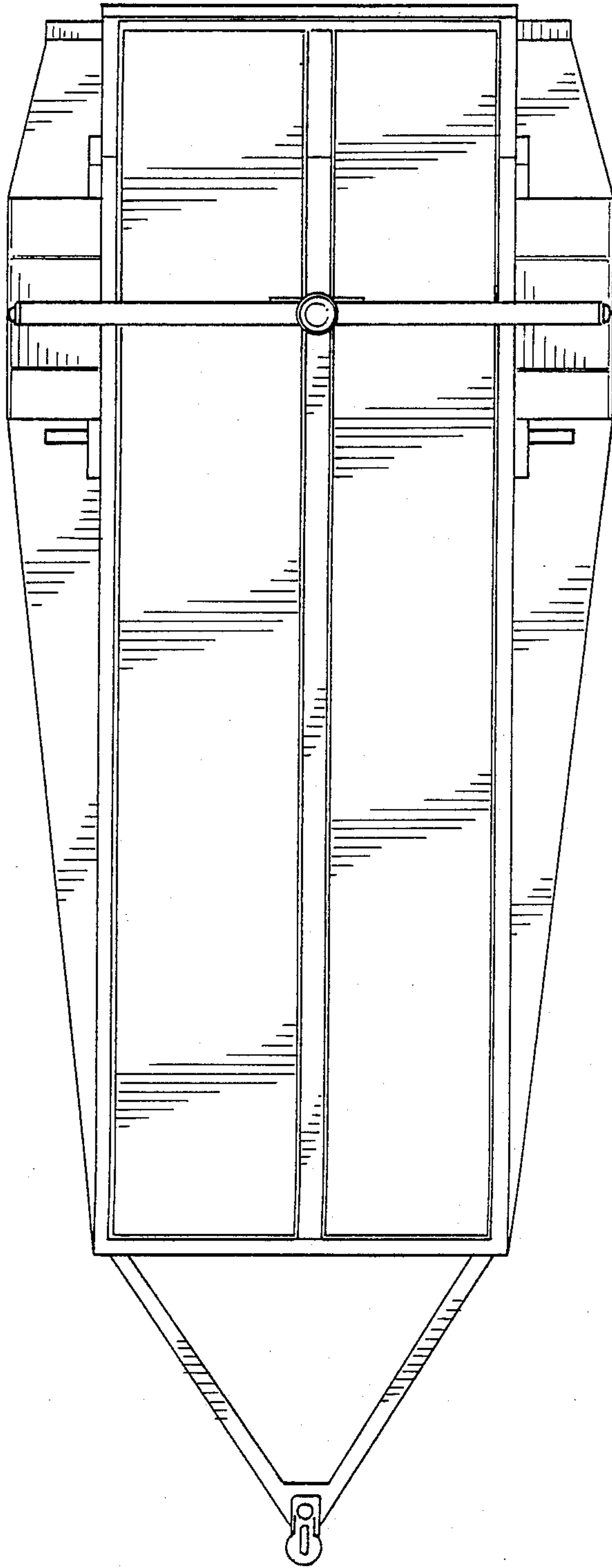


FIG. 2

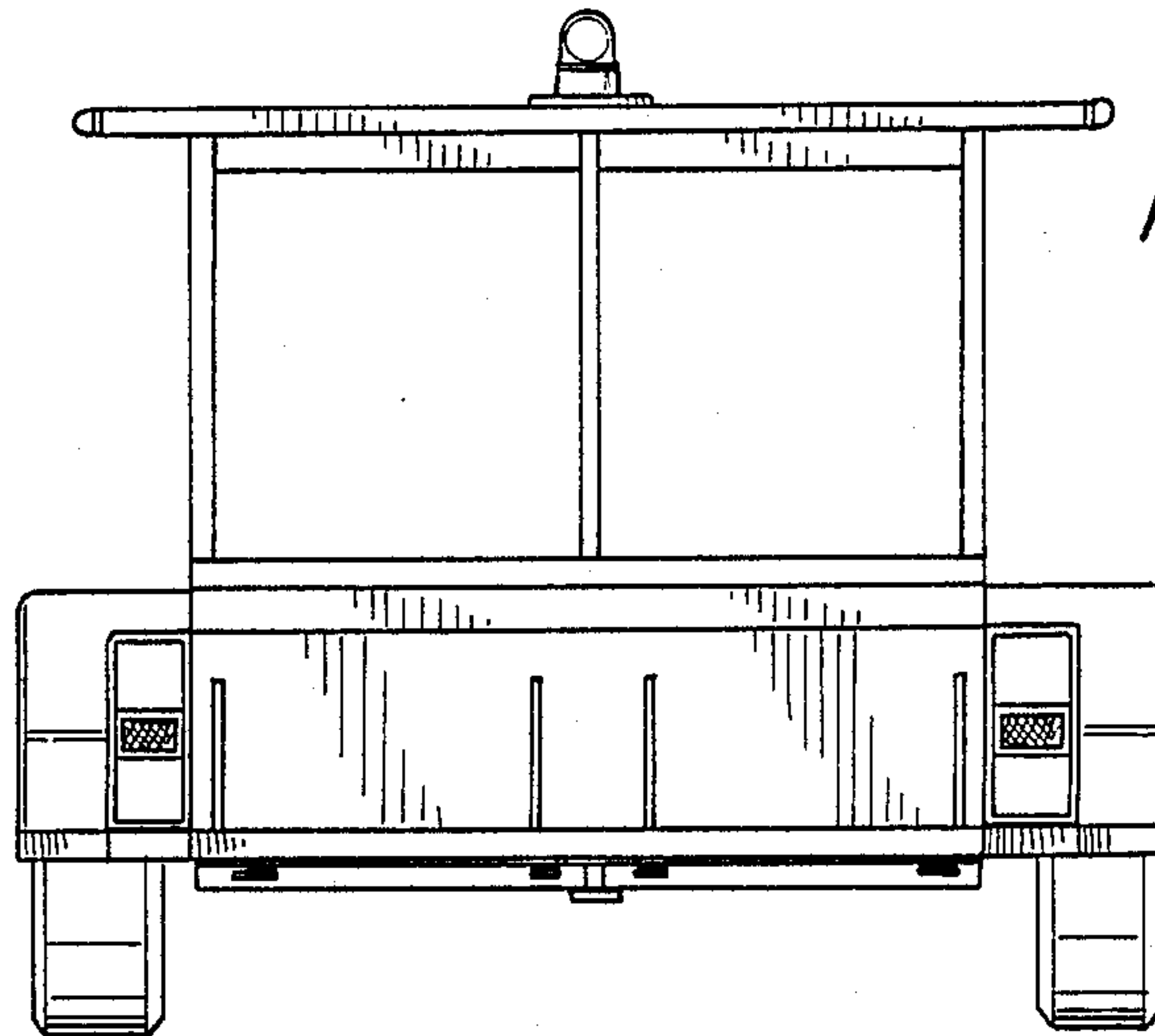


FIG. 3

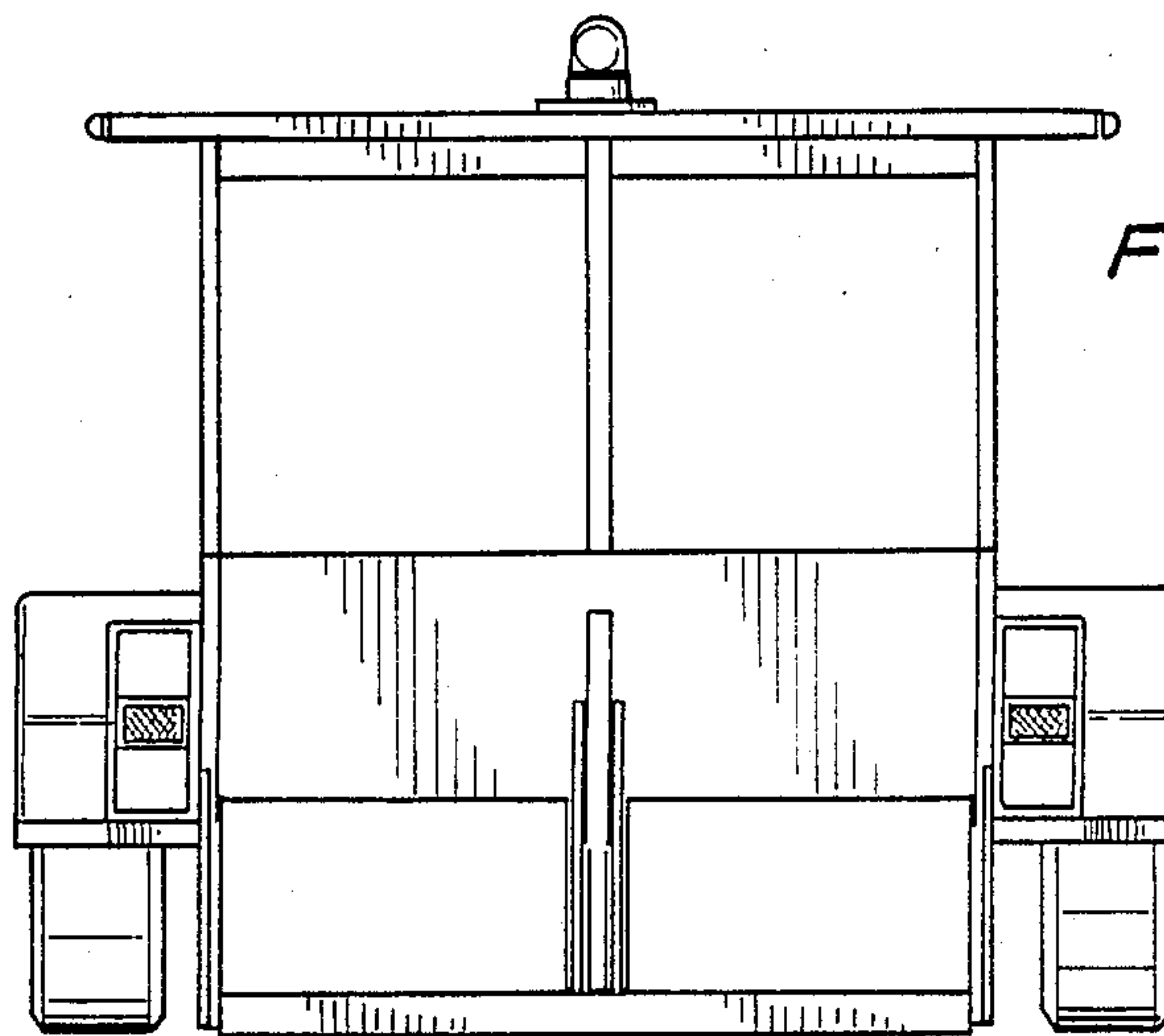


FIG. 4

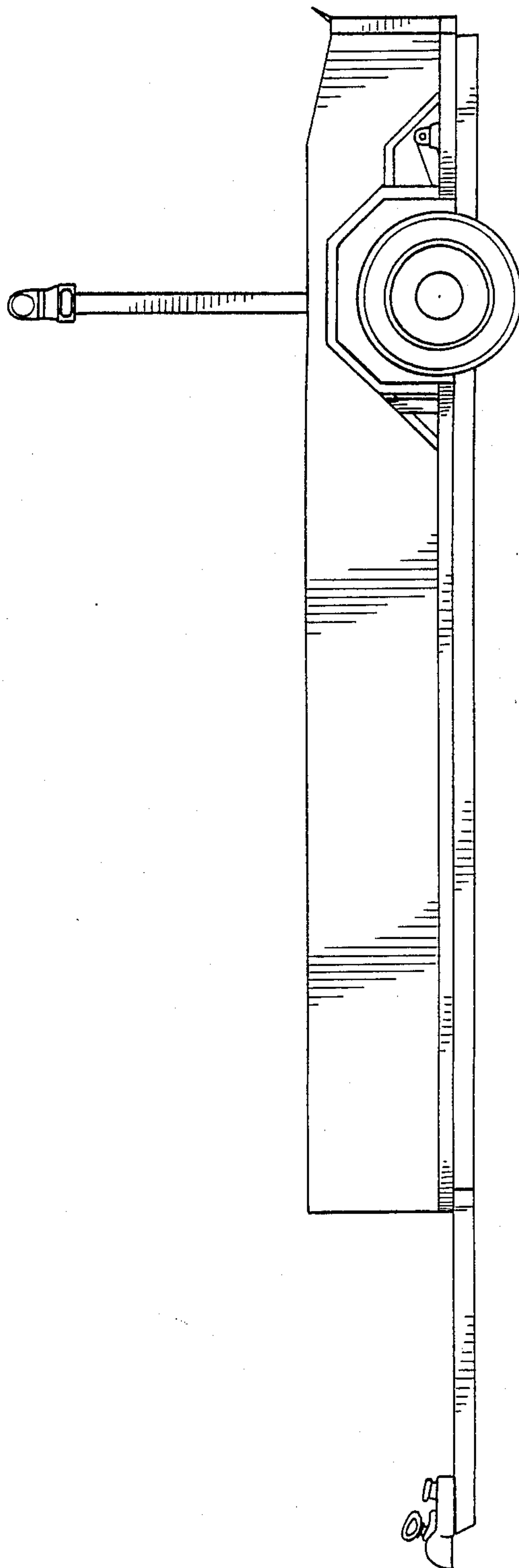


FIG. 5

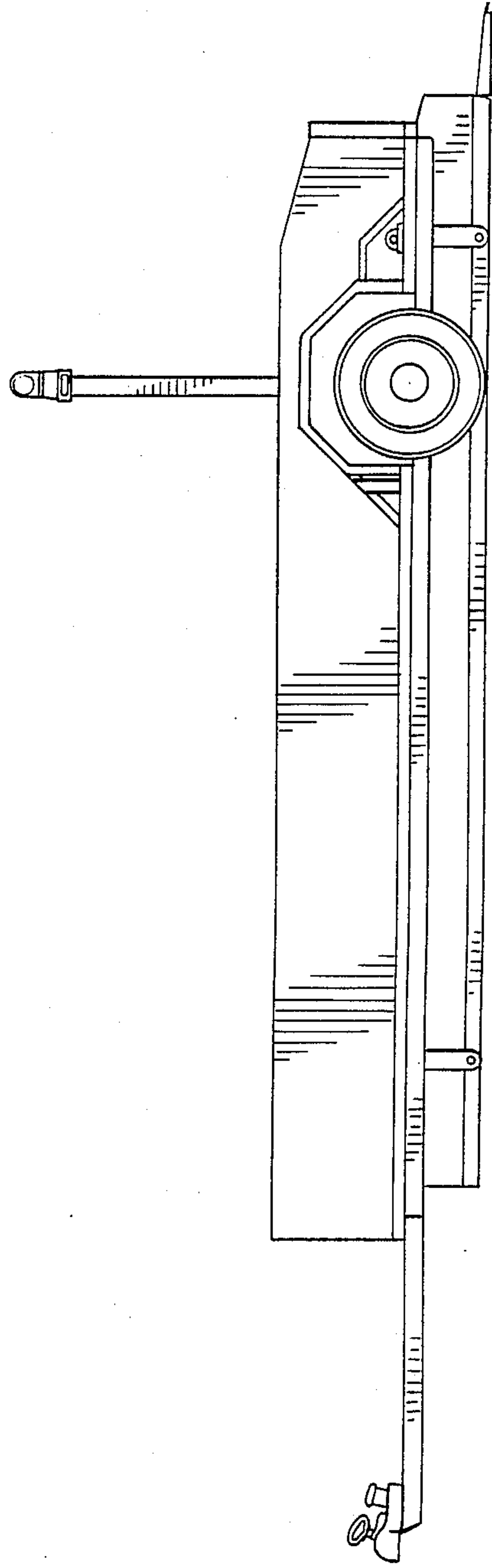


FIG. 6