

[54] BOTTLE

[75] Inventor: Richard L. Platte, Sr., Ann Arbor, Mich.

[73] Assignee: Sierra Spring Water Company, Houston, Tex.

[**] Term: 14 Years

[21] Appl. No.: 903,102

[22] Filed: Sep. 2, 1986

[52] U.S. Cl. D9/376

[58] Field of Search D9/376, 378, 382, 383, D9/403-413, 367, 370, 373, 374, 375; 220/1 C; 215/1 R, 1 C

[56] References Cited

U.S. PATENT DOCUMENTS

- D. 198,408 6/1964 Craig et al. D9/376
- D. 272,318 1/1984 Visser D9/376

- D. 279,078 6/1985 Franchi et al. D9/376
- 3,940,002 2/1976 Schiemann 215/1 C
- 4,488,584 12/1984 Hestehave et al. 220/1 C
- 4,579,260 4/1986 Young et al. 215/1 C

Primary Examiner—Melvin B. Feifer
Assistant Examiner—Lucy Lieberman
Attorney, Agent, or Firm—James M. Deimen

[57] CLAIM

The ornamental design for a bottle, as shown and described.

DESCRIPTION

FIG. 1 is a perspective view of a bottle showing my new design;
FIG. 2 is a top plan view thereof;
FIG. 3 is a bottom plan view thereof;
FIG. 4 is a right side elevation thereof;
FIG. 5 is a front elevation thereof;
FIG. 6 is a rear elevation thereof; and
FIG. 7 is a left side elevation thereof.

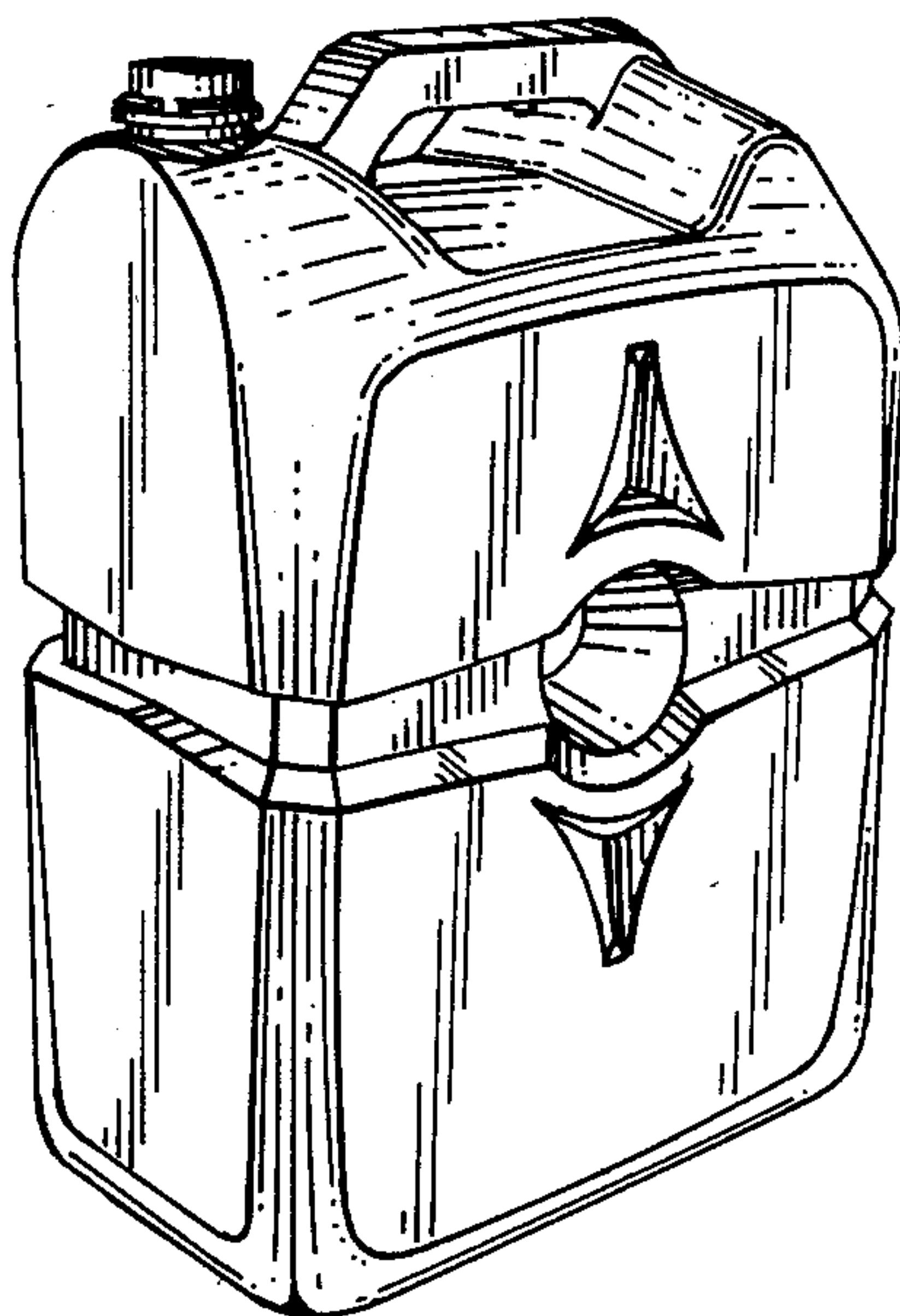


FIG. 1

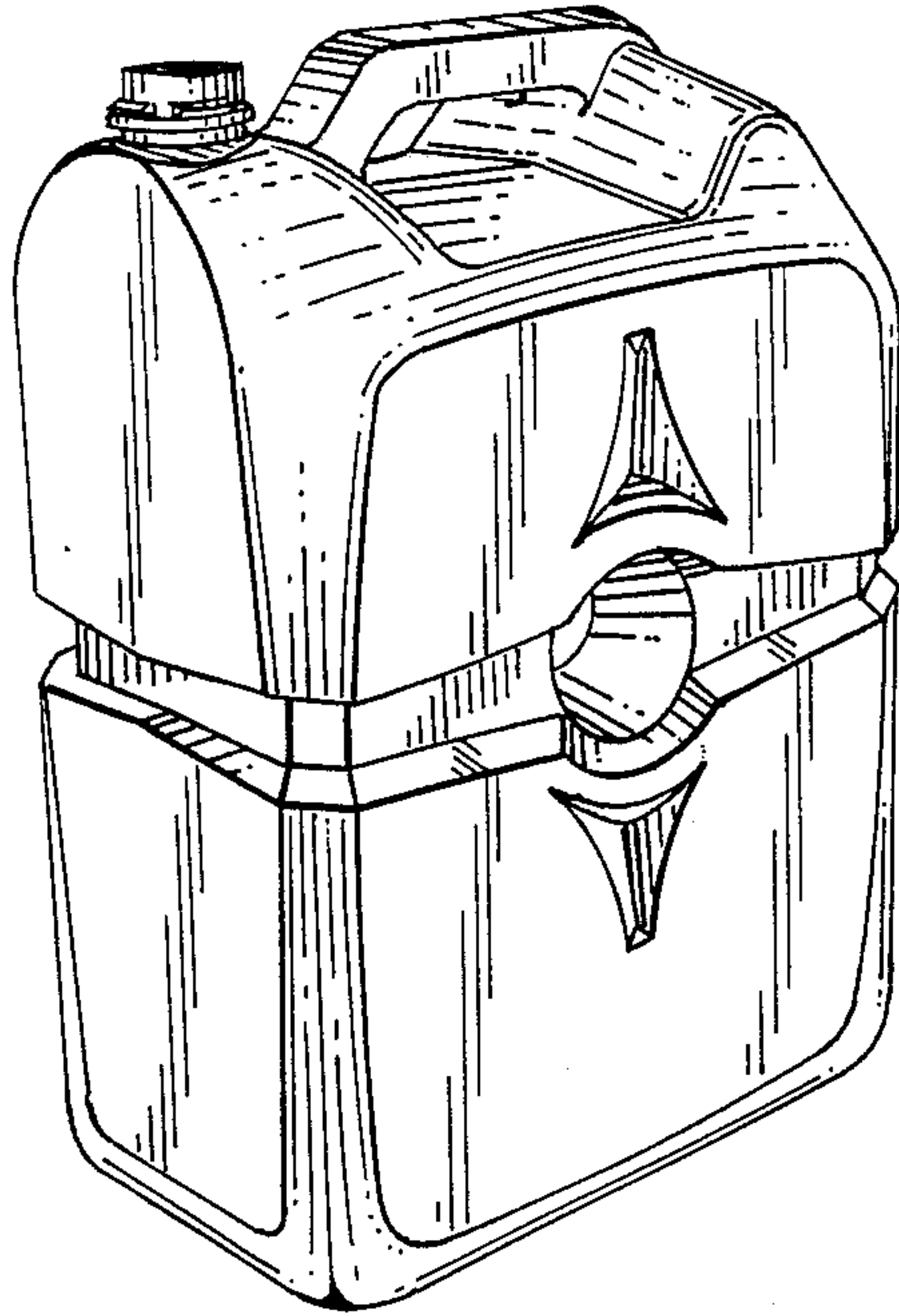


FIG. 2

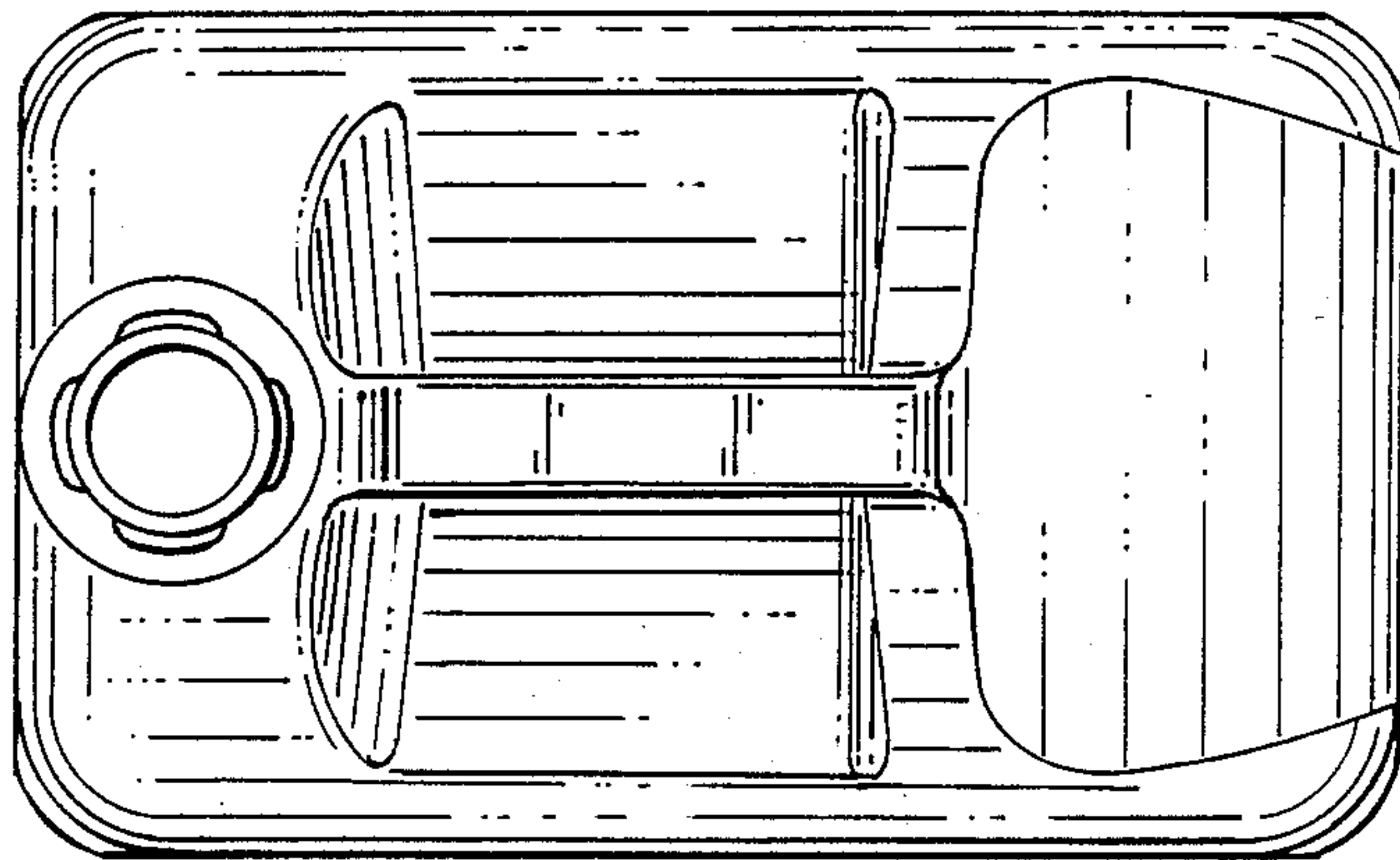


FIG. 3

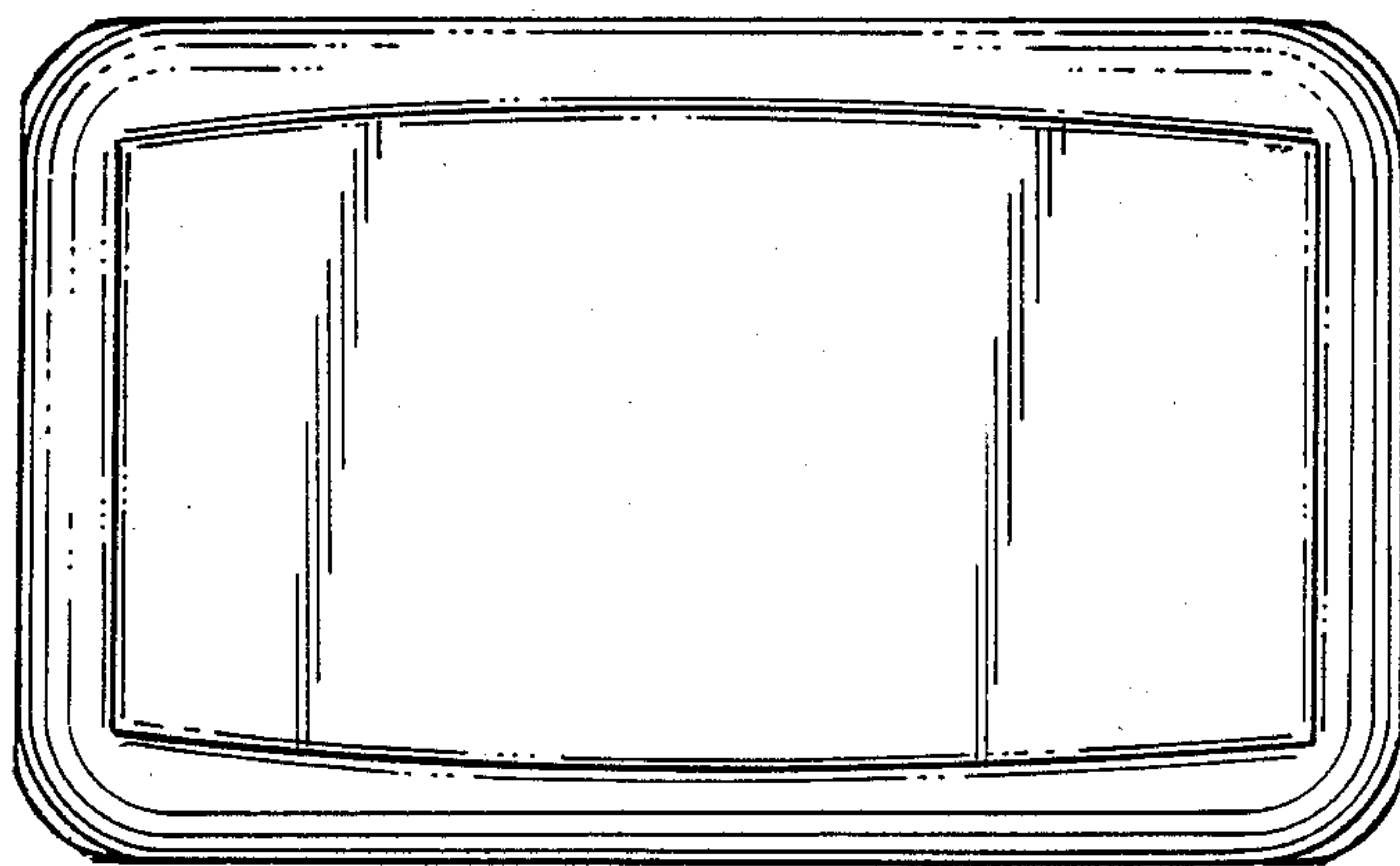


FIG. 4

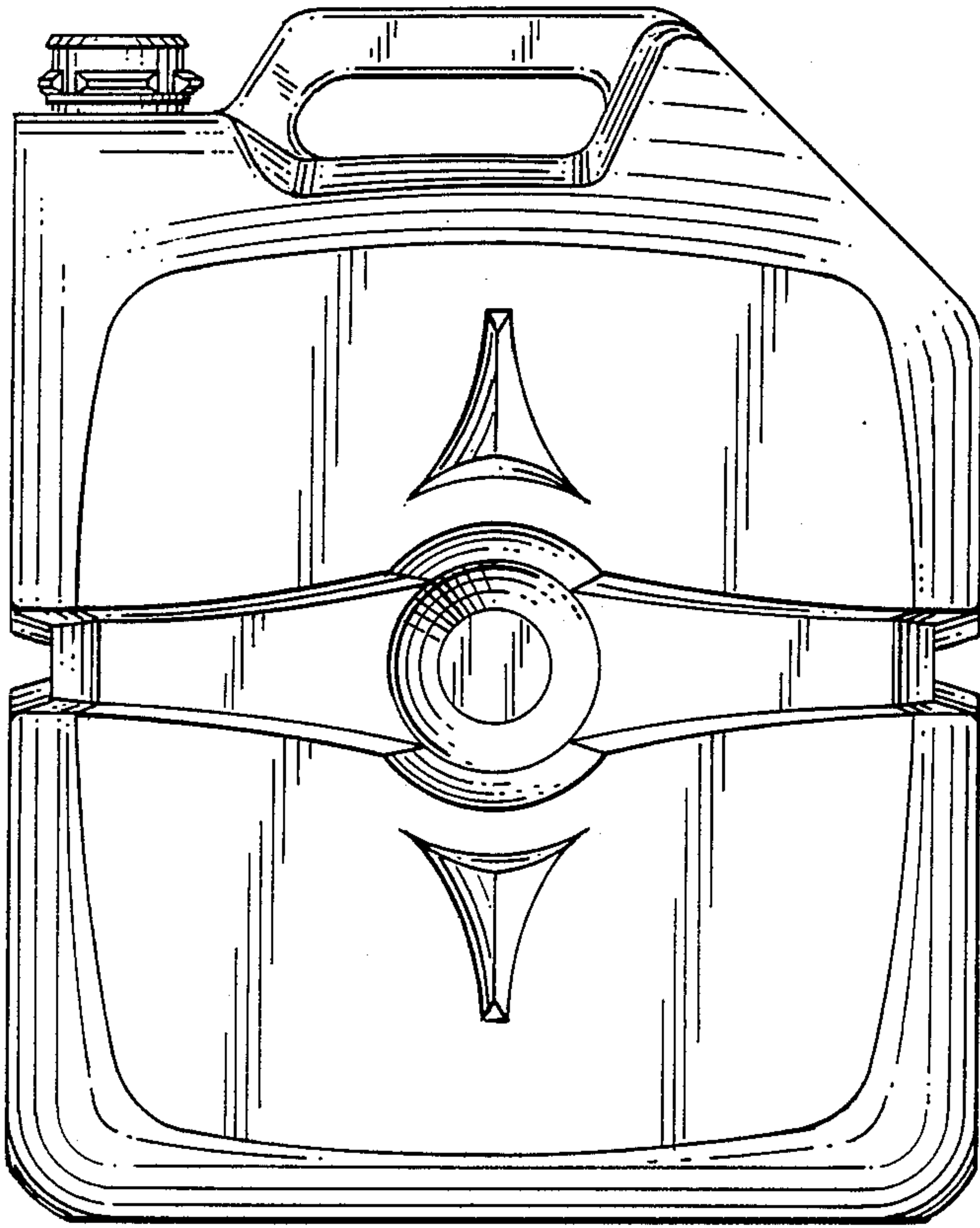


FIG. 5

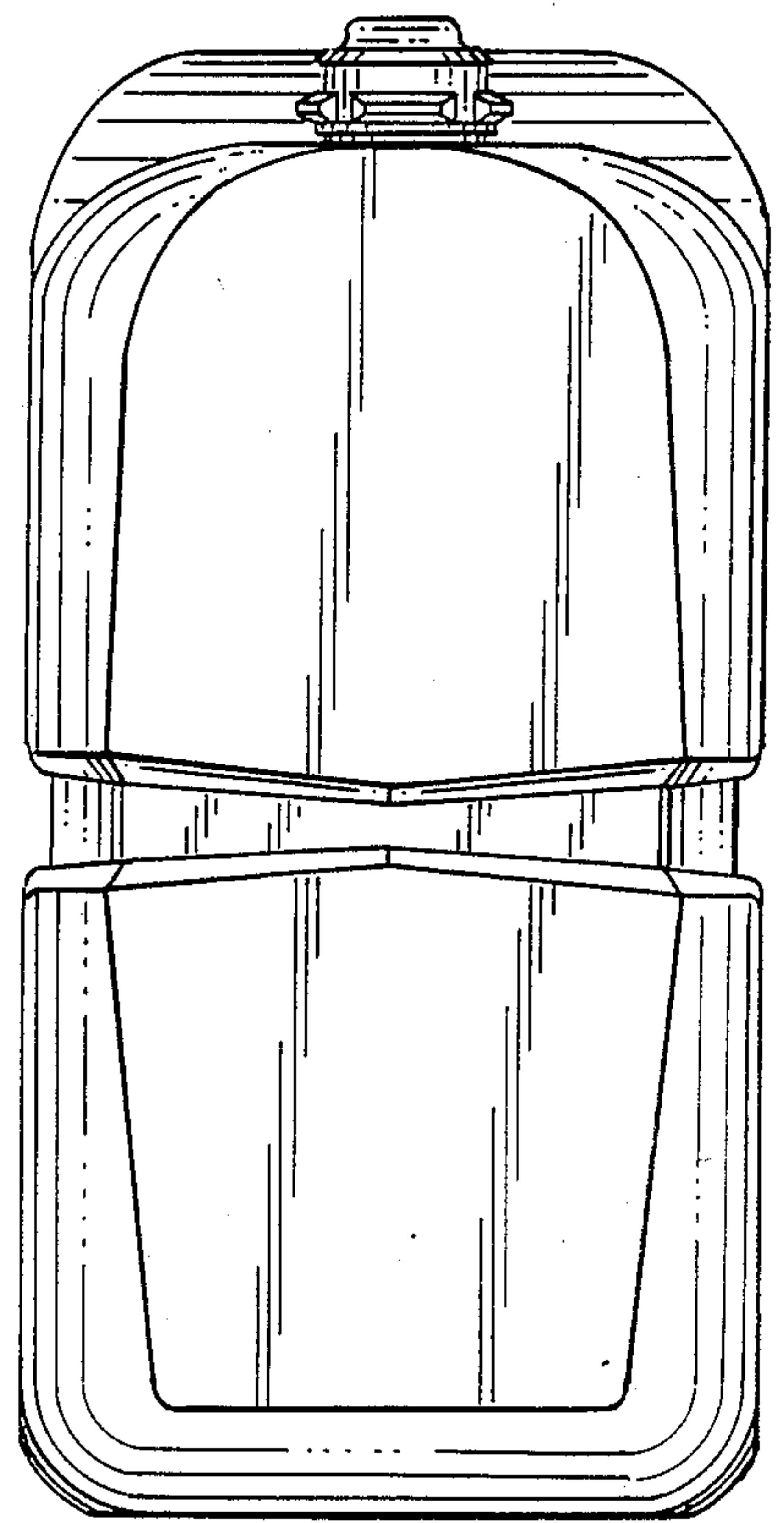


FIG. 6

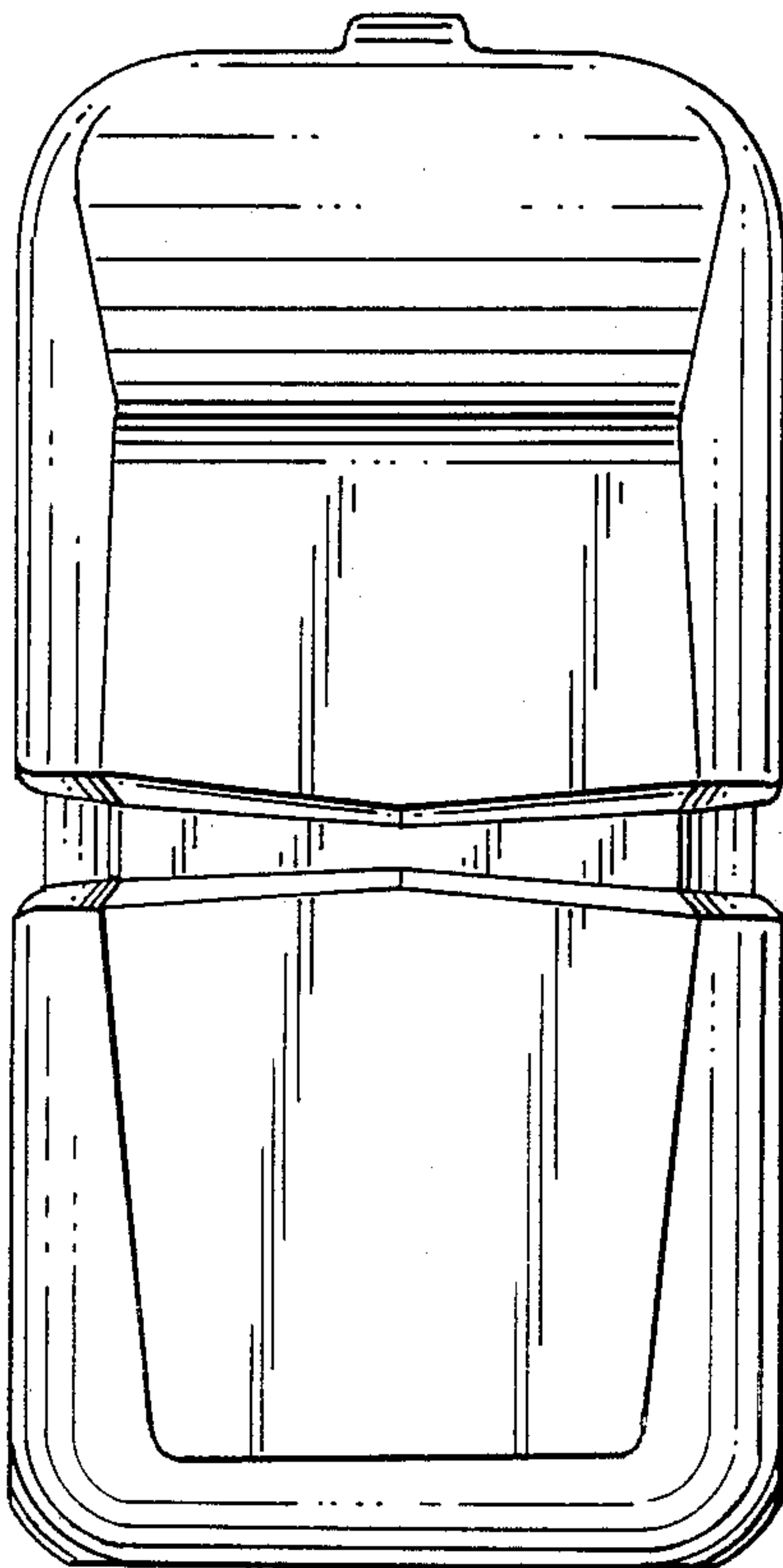


FIG. 7

