

[54] **SAMPLE VIAL**

[75] **Inventor: James A. Baxter, London, England**

[73] **Assignee: Chromacol Limited, London, England**

[*] **Notice: The portion of the term of this patent subsequent to Aug. 8, 2003 has been disclaimed.**

[**] **Term: 14 Years**

[21] **Appl. No.: 805,761**

[22] **Filed: Nov. 19, 1985**

[30] **Foreign Application Priority Data**

Jul. 25, 1985 [GB] United Kingdom 1028170

[52] **U.S. Cl. D9/349; D24/8**

[58] **Field of Search D9/352, 349, 370, 371; D24/8, 22, 29, 21, 51, 56; 422/99, 100-102; 604/416, 415, 414; 215/249, 247, 31**

[56] **References Cited**
PUBLICATIONS

American Scientific Catalog 1981-1982, p. 290, Centrifuge No. C4168-3; p. 222, vial No. B7820.

Primary Examiner—Bruce W. Dunkins

Assistant Examiner—Y. Brunot

Attorney, Agent, or Firm—Christie, Parker & Hale

[57] **CLAIM**

The ornamental design for a sample vial, as shown and described.

DESCRIPTION

FIG. 1 is a perspective view of a sample vial showing my new design, the opposite side being identical thereto;

FIG. 2 is a cross-sectional view taken along line 2—2 of FIG. 1; and

FIG. 3 is a side elevational view of the sample vial, the opposite side being identical thereto.

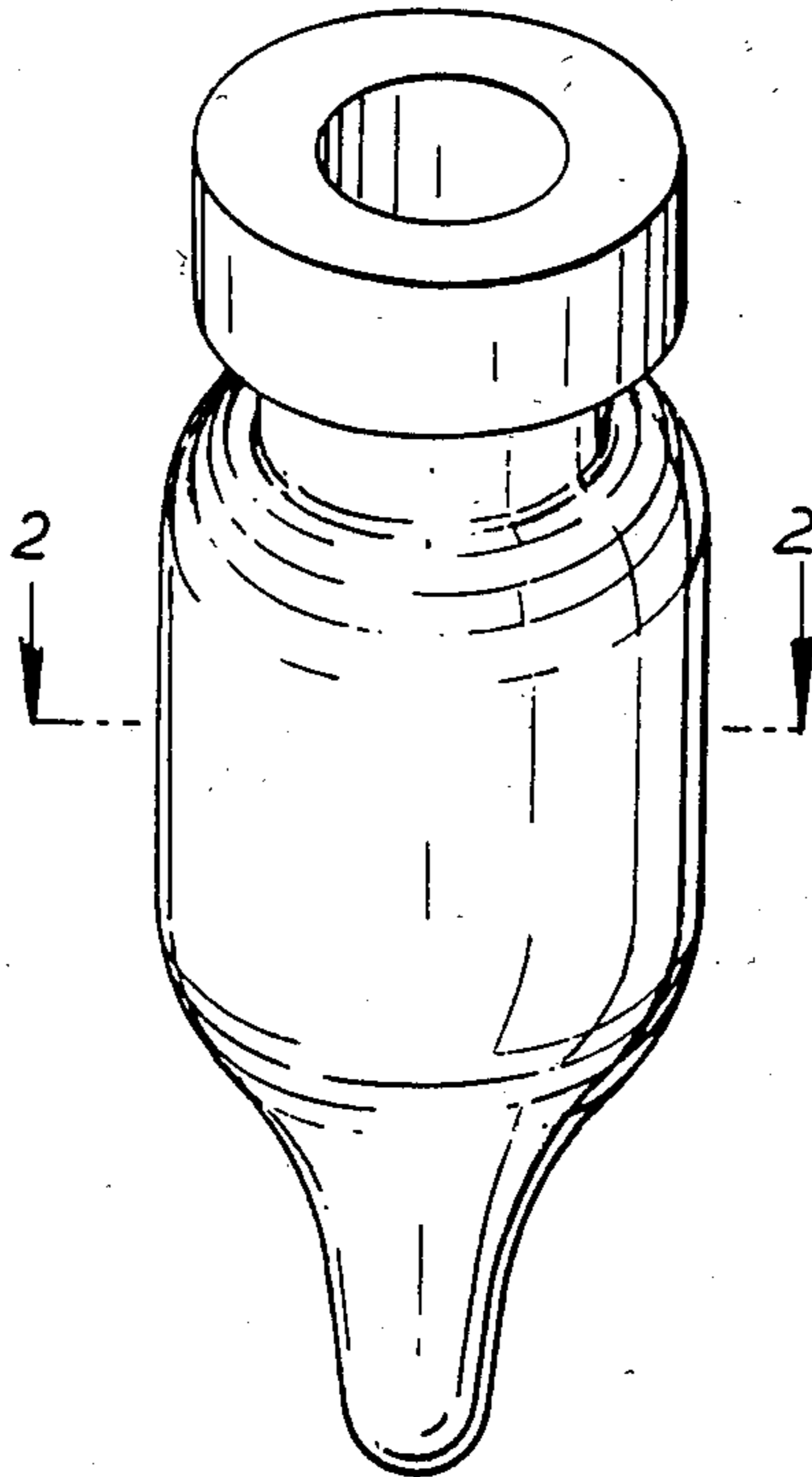


FIG. 1

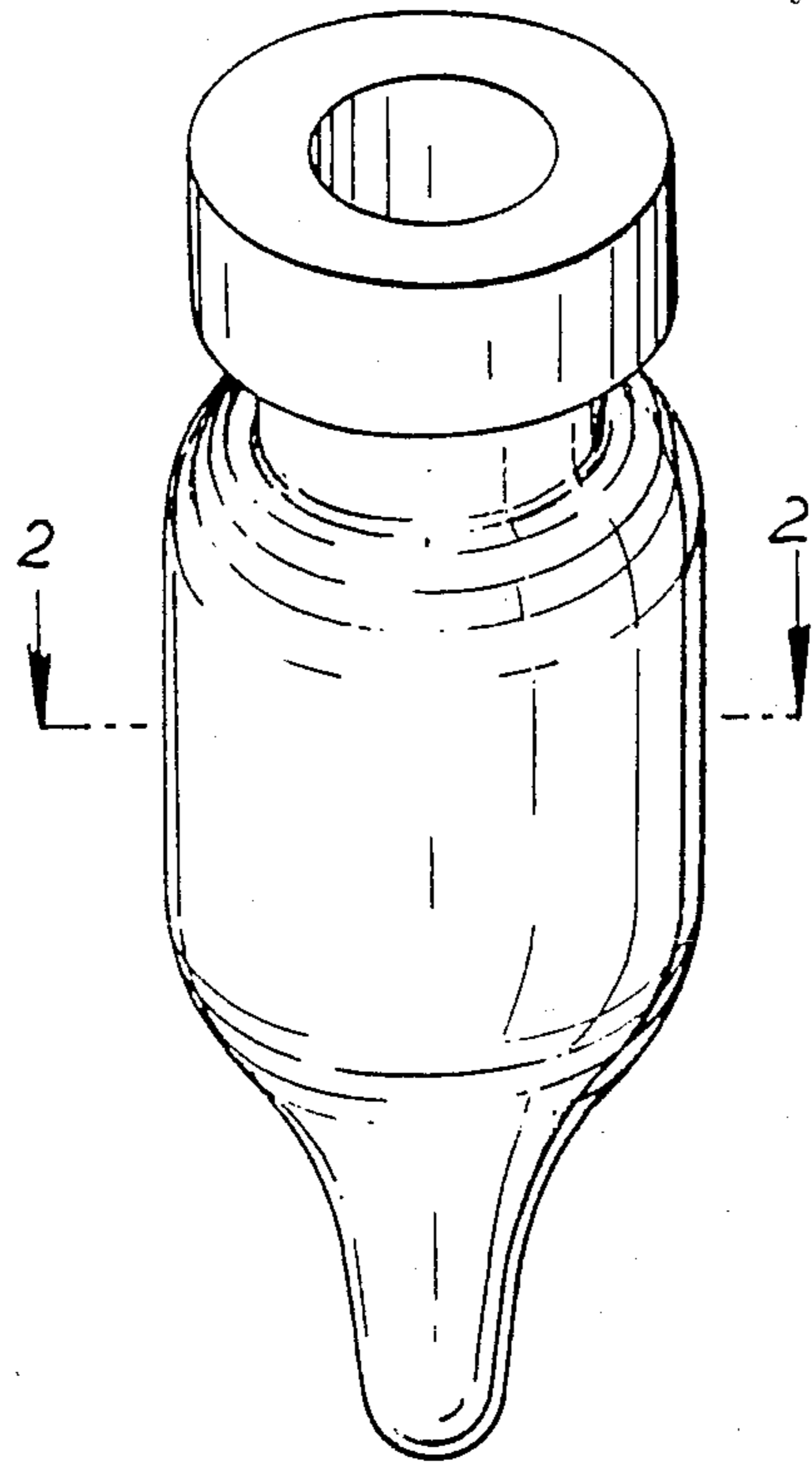
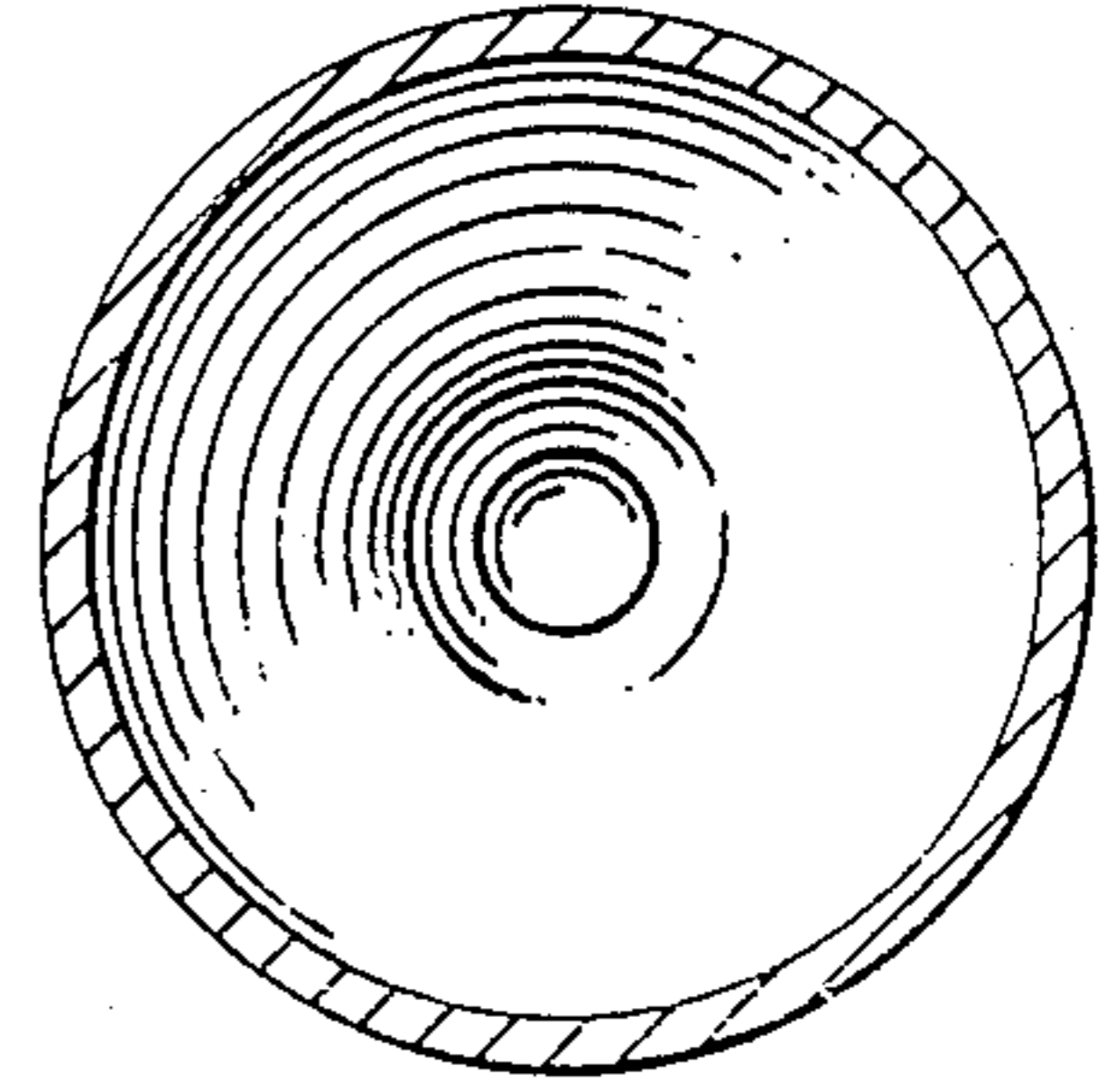


FIG. 2



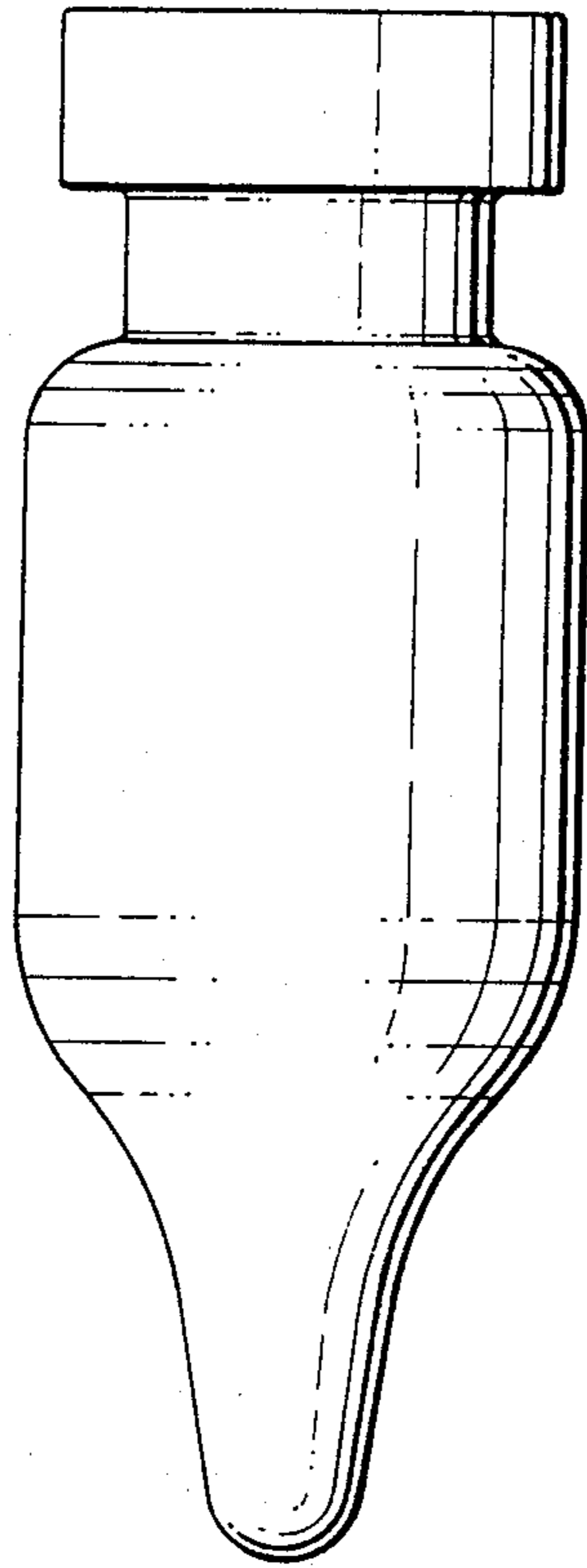


FIG. 3