

[54] **LID OPENER FOR PLASTIC PAIL**

4,658,455 4/1987 Skillern ..... 7/151 X

[75] **Inventor: Bruce J. Matthies, Clarence, N.Y.**

*Primary Examiner*—Bernard Ansher

*Assistant Examiner*—Terry A. Pfeffer

[73] **Assignee: Shur-Line, Inc., Lancaster, N.Y.**

*Attorney, Agent, or Firm*—Sommer, Oliverio & Sommer

[\*\*] **Term: 14 Years**

[57] **CLAIM**

[21] **Appl. No.: 76,664**

The ornamental design for lid opener for plastic pail, as shown.

[22] **Filed: Jul. 23, 1987**

**DESCRIPTION**

[52] **U.S. Cl. .... D8/40**

FIG. 1 is a top, rear, right side perspective view of a lid opener for plastic pail showing my new design;

[58] **Field of Search ..... D8/40, 33, 18; 81/3.55, 81/3.07, 3.4; 7/151**

FIG. 2 is a top, front, left side perspective view thereof;

FIG. 3 is a rear elevational view thereof;

FIG. 4 is a front elevational view thereof;

FIG. 5 is a top plan view thereof;

FIG. 6 is a right side elevational view thereof; and

FIG. 7 is a bottom plan view thereof.

[56] **References Cited**

**U.S. PATENT DOCUMENTS**

- D. 254,834 4/1980 Madsen et al. .... D8/18
- D. 296,411 6/1988 Madsen et al. .... D8/18

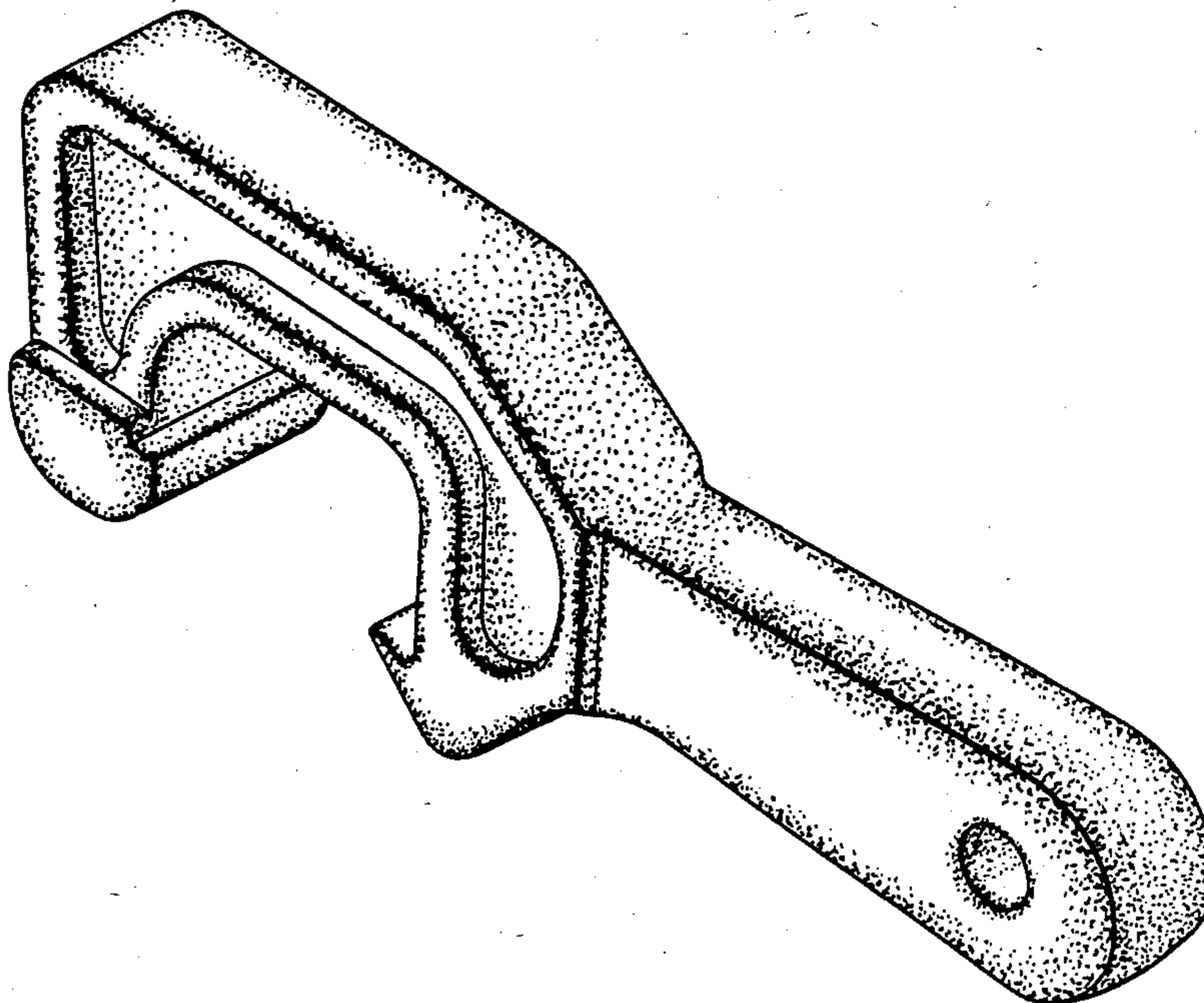


Fig. 1.

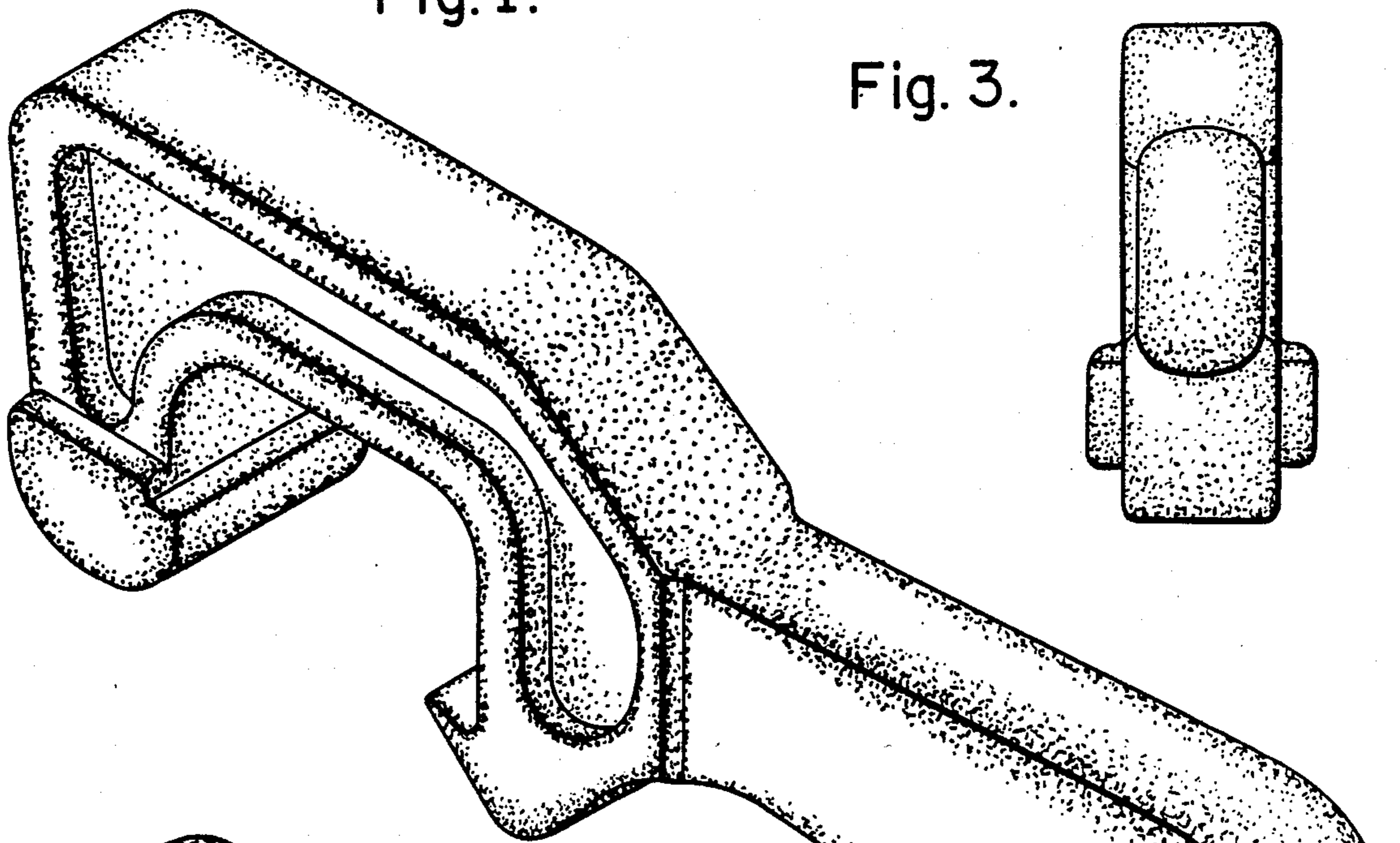


Fig. 3.

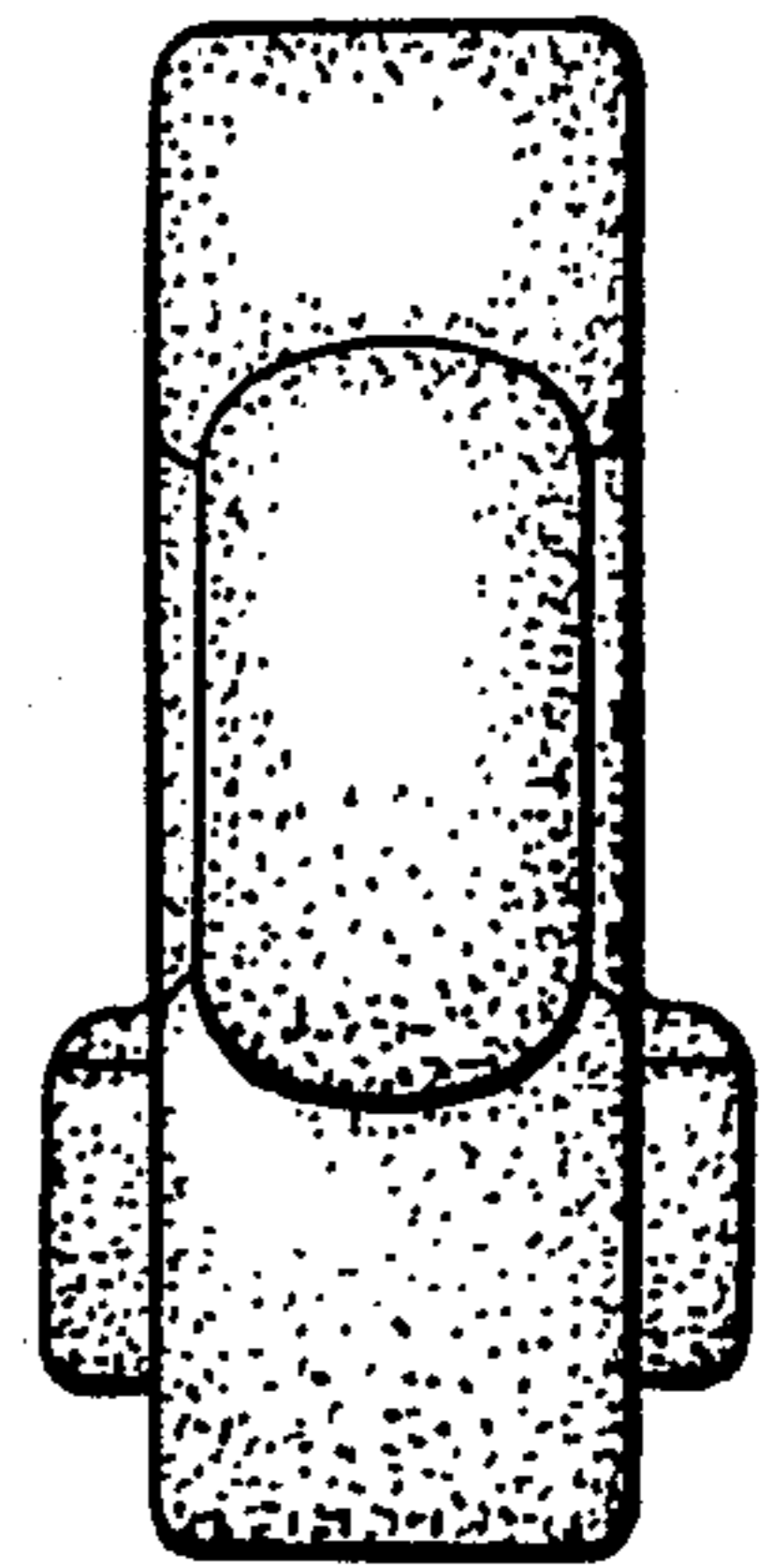


Fig. 2.

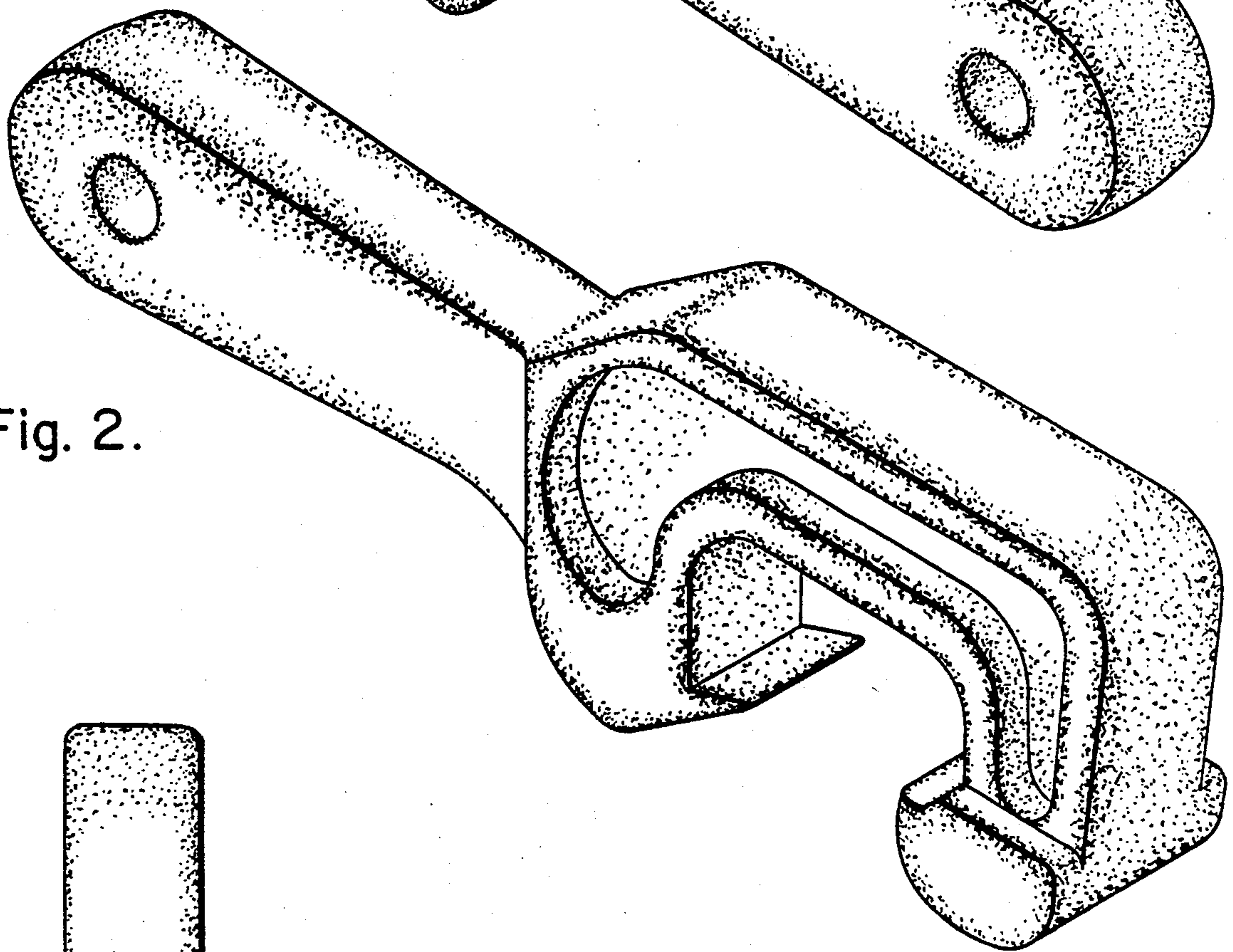


Fig. 4.

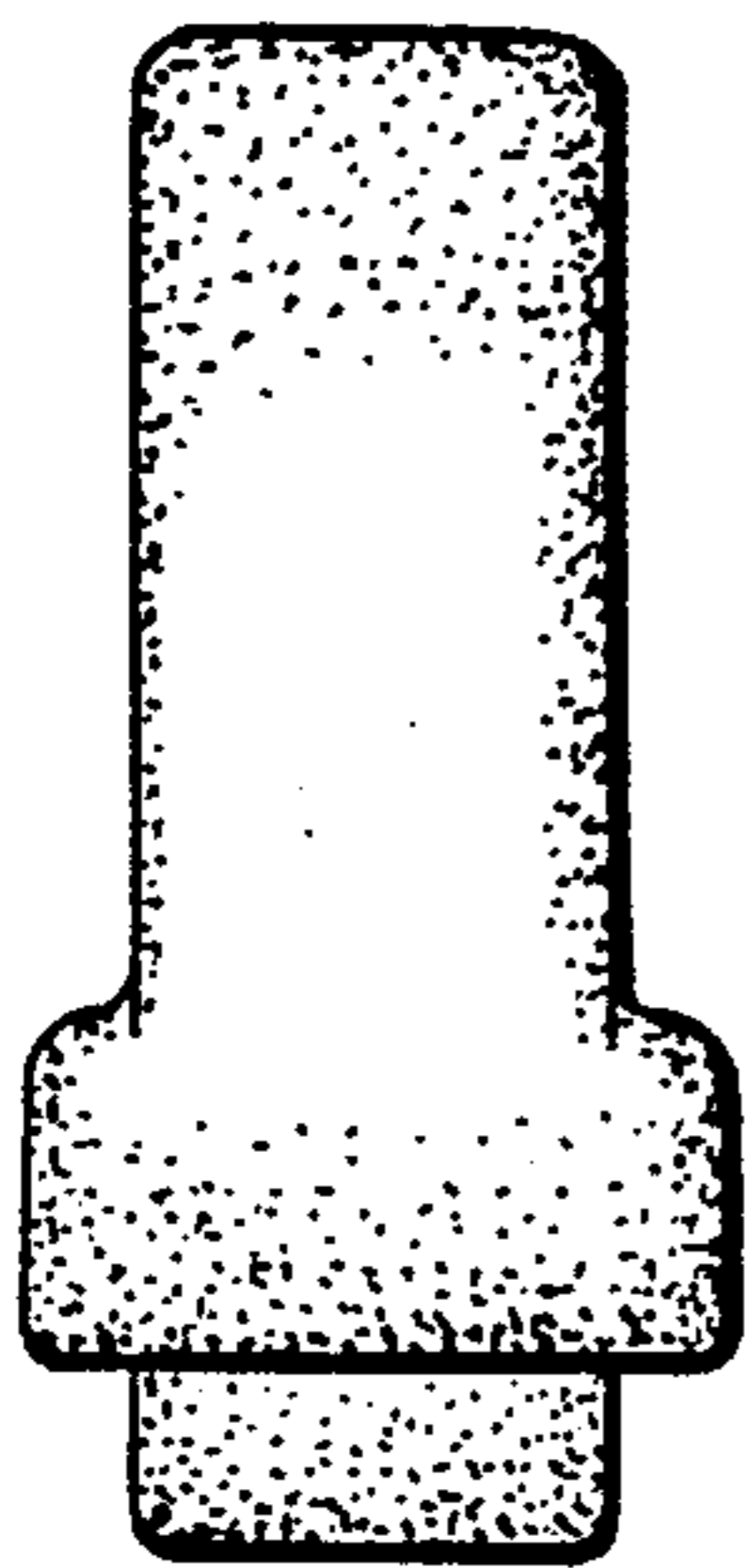


Fig. 5.

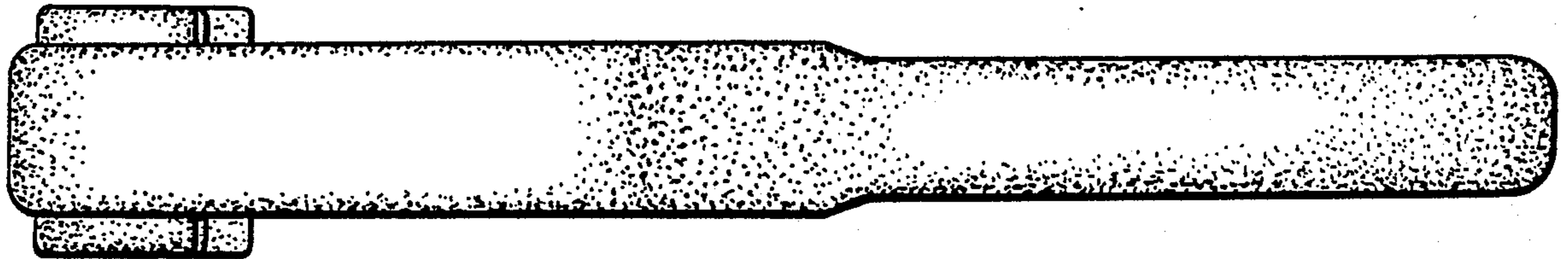


Fig. 6.

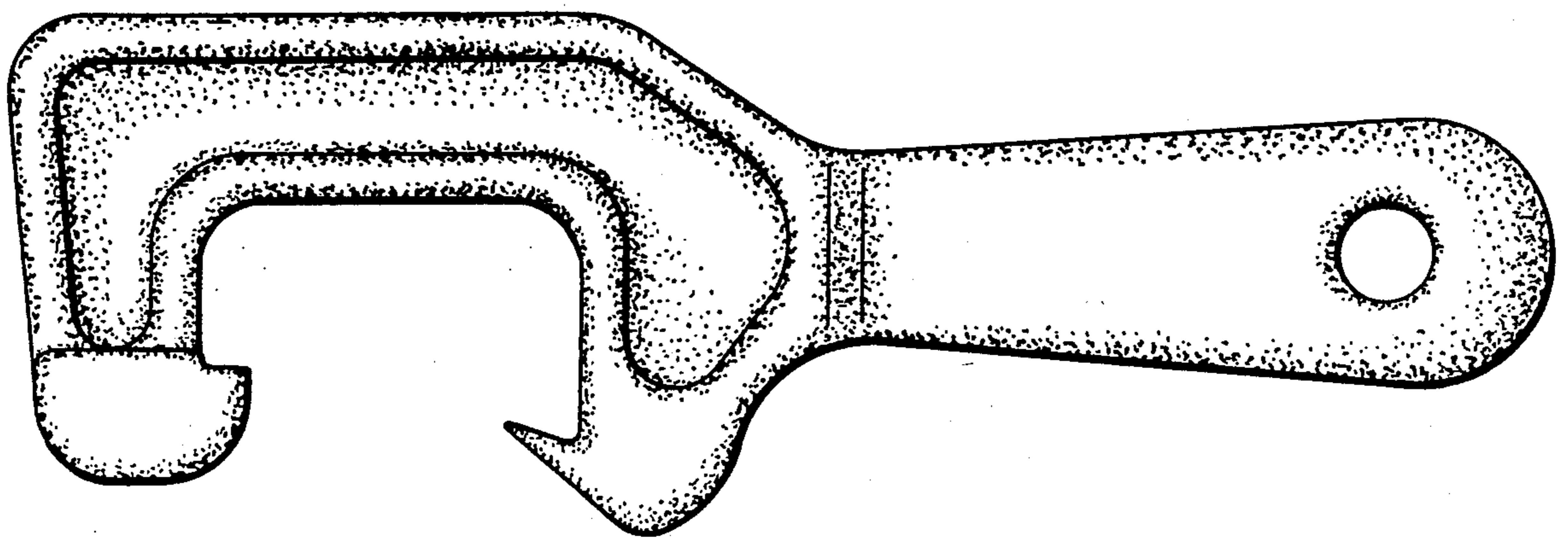


Fig. 7.

