

[54] DOUBLE BURNER TABLE RANGE

[75] Inventor: Alan Springer, Portchester, N.Y.

[73] Assignee: Morton Springer & Co., Inc., Paterson, N.J.

[\*\*] Term: 14 Years

[21] Appl. No.: 842,872

[22] Filed: Mar. 12, 1986

[52] U.S. Cl. .... D7/367

[58] Field of Search ..... D7/346, 362-367, D7/407-408; 219/443-445, 448-451, 455, 457-461, 464-465, 491; 99/422

[56] References Cited

U.S. PATENT DOCUMENTS

D. 199,164	9/1964	Simpkins	.....	D7/364
D. 205,820	9/1966	Ryan	.....	D7/364
1,542,330	6/1925	Ball	.....	D7/364
2,580,698	1/1952	Perlman	.....	219/451
2,866,071	12/1958	Ruhnke	.....	219/445
3,043,944	7/1962	Hanson	.....	219/451
4,210,799	7/1980	Dzaack	.....	219/451

OTHER PUBLICATIONS

Arbitare 200, Dec. 1981, p. 90, "Food Warmer"—lower left corner.

Food Service Equipment Specialist, 11/1984, p. 50, "Vinyl Covered Hot Plate" (lower left corner).

Primary Examiner—Bruce W. Dunkins

Assistant Examiner—Ruth Takemoto

Attorney, Agent, or Firm—Amster, Rothstein & Ebenstein

CLAIM

[57]

The ornamental design for a double burner table range, as shown.

DESCRIPTION

FIG. 1 is a top plan view of a double burner table range showing my new design;

FIG. 2 is a front elevational view thereof;

FIG. 3 is a right side elevational view thereof, the left side being a mirror image;

FIG. 4 is a rear elevational view thereof; and

FIG. 5 is a reduced bottom plan view thereof.

FIG. 6 is a perspective view thereof.

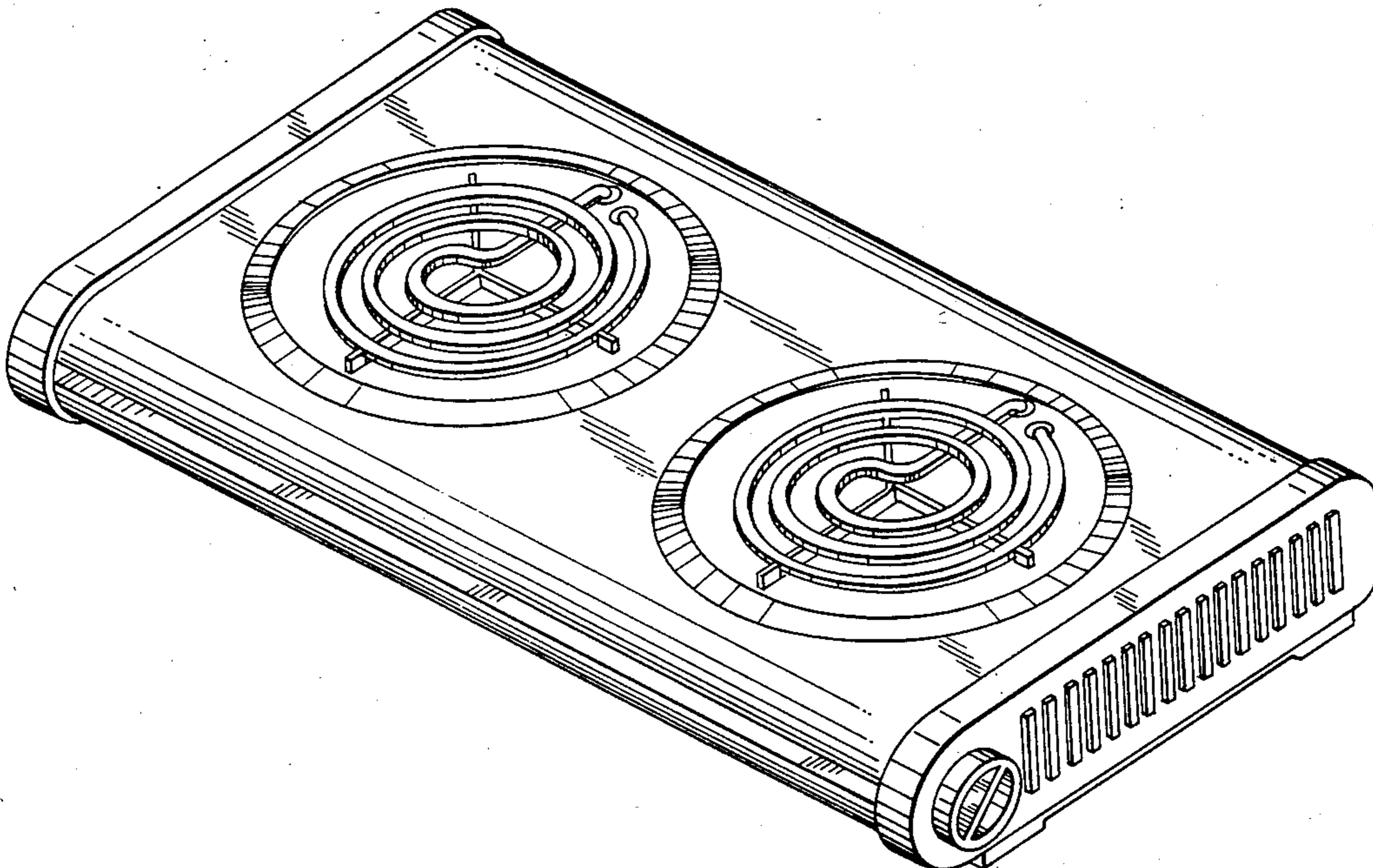


FIG. 1.

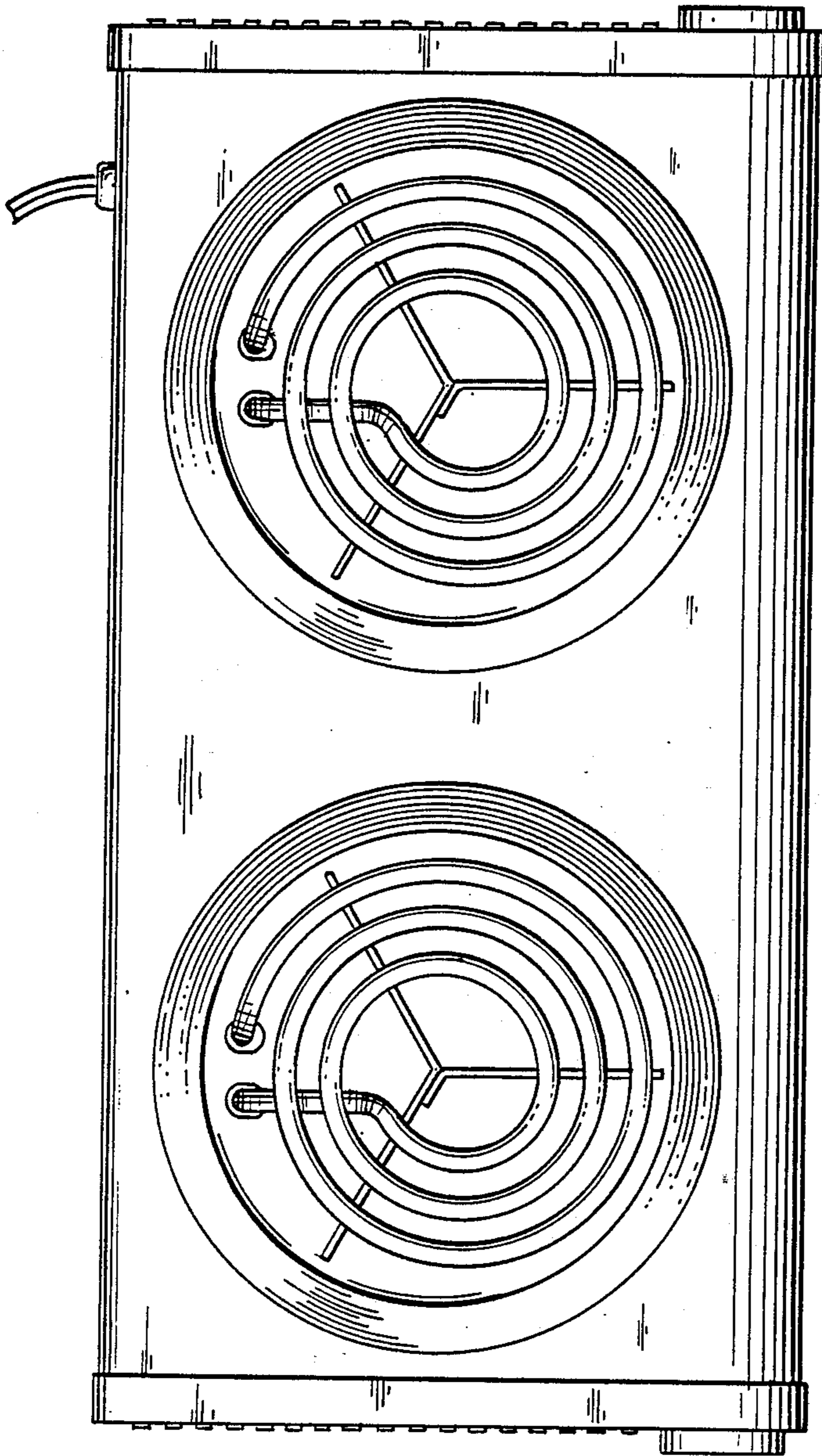


FIG. 2.

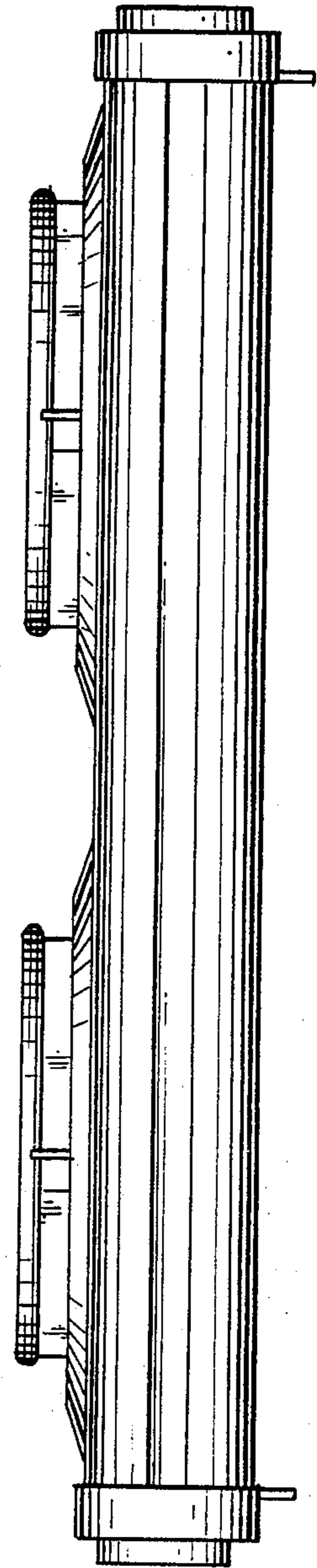


FIG. 5.

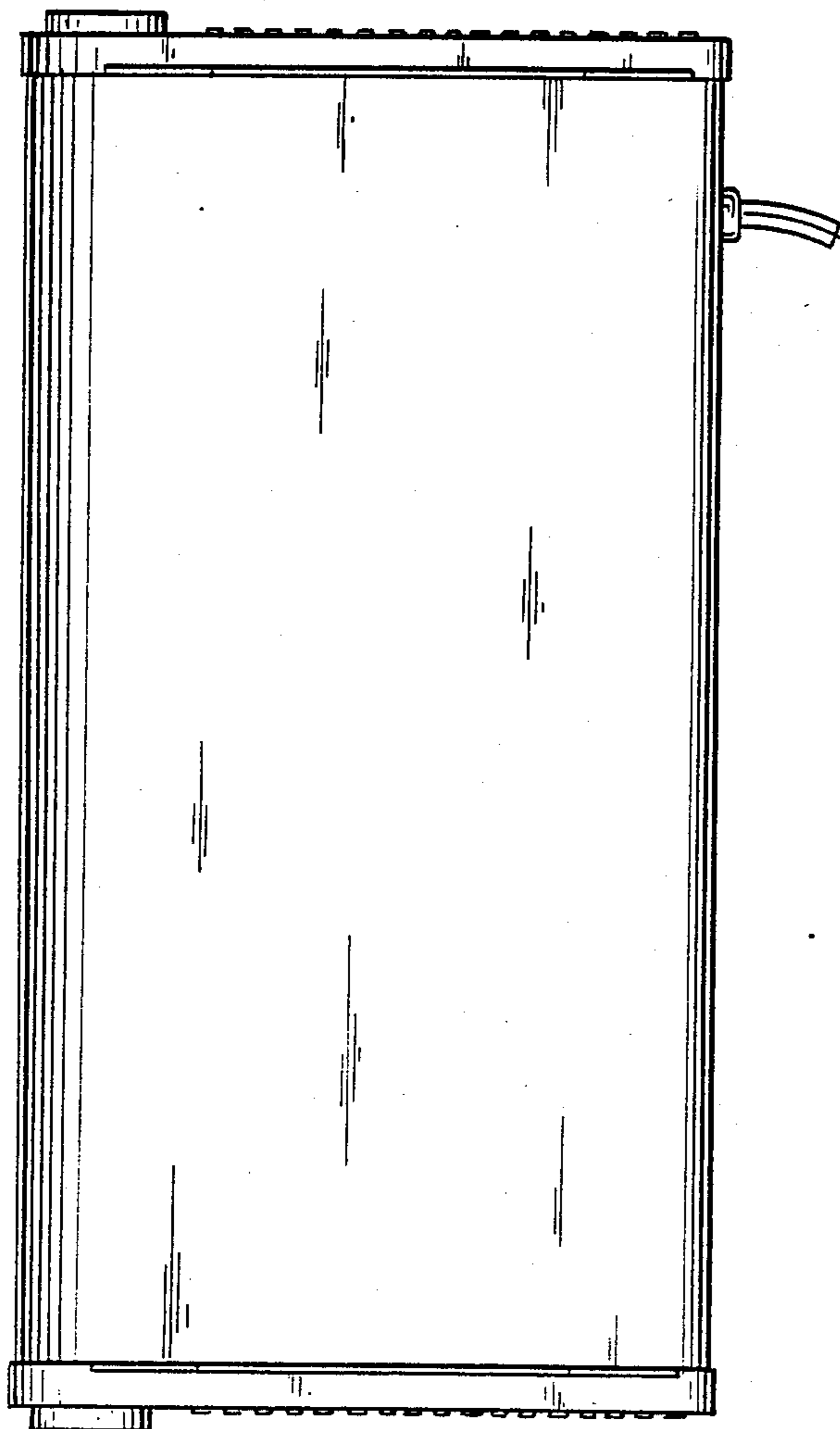


FIG. 3.

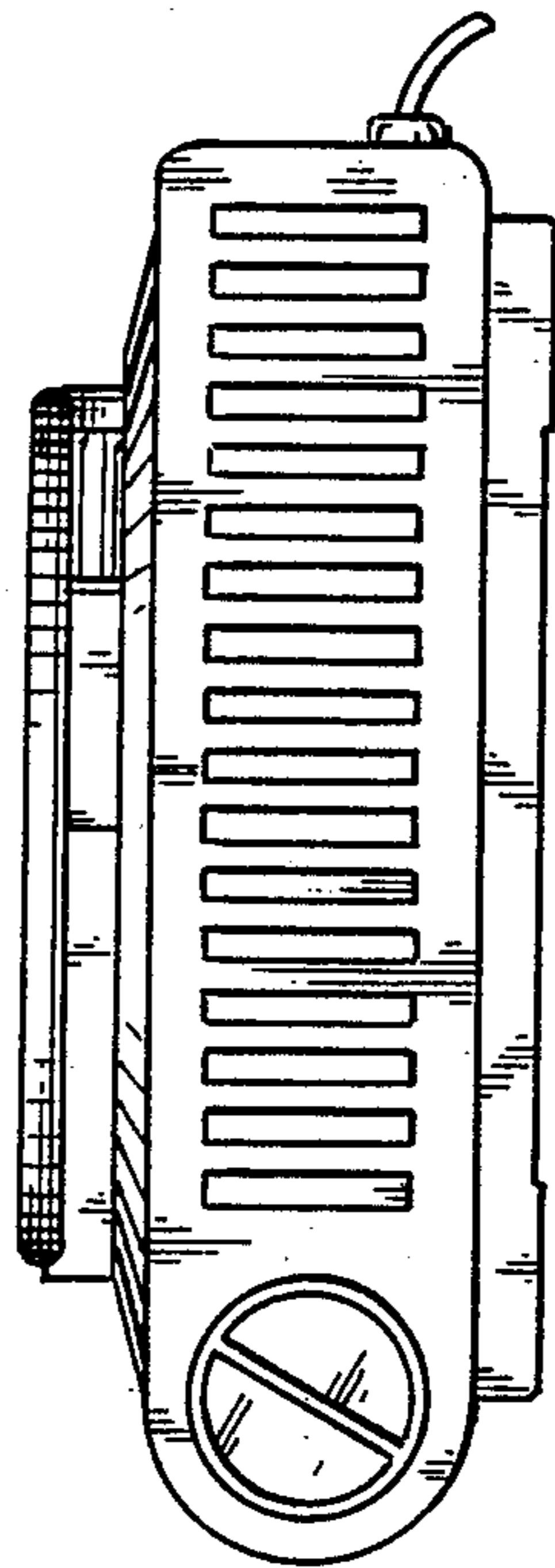


FIG. 4.

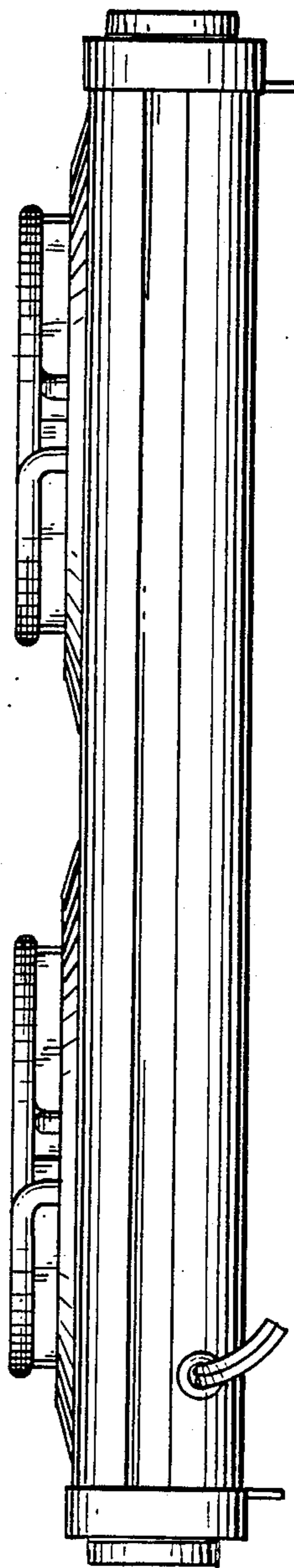


FIG. 6

