

[54] HEADREST

[76] Inventor: Robert D. Libenson, 2739 Colby Ave., West Los Angeles, Calif. 90064

[\*\*] Term: 14 Years

[21] Appl. No.: 937,191

[22] Filed: Dec. 2, 1986

[52] U.S. Cl. .... D6/601; D6/501; 2/DIG. 6; 297/391

[58] Field of Search ..... D6/500, 501, 502, 595, D6/596, 601; 2/69.5, 80, DIG. 6; 4/523, 578; 5/52; 297/391, 395, 397, DIG. 6

[56] References Cited

U.S. PATENT DOCUMENTS

- D. 240,491 7/1976 Kramer ..... D6/596
- 2,161,590 6/1939 Rickard ..... 4/523
- 4,759,089 7/1988 Fox ..... D6/601

Primary Examiner—Carmen H. Vales-Lado  
Assistant Examiner—Schon C. Oppert

Attorney, Agent, or Firm—Timothy T. Tyson

[57] CLAIM

The ornamental design for a headrest, as shown and described.

DESCRIPTION

FIG. 1 is a front perspective view of a headrest showing my new design;

FIG. 2 is a rear perspective view thereof;

FIG. 3 is a rear elevational view thereof;

FIG. 4 is a left side elevational view, the right side elevational view being the mirror image thereof;

FIG. 5 is a bottom plan view, the top plan view being the mirror image thereof;

FIG. 6 is a rear elevational view, of another embodiment of the headrest shown in FIG. 1;

FIG. 7 is a left side elevational view, the right side elevational view being a mirror image thereof;

FIG. 8 is a front elevational view thereof;

FIG. 9 is a top plan view thereof; and

FIG. 10 is a bottom plan view thereof.

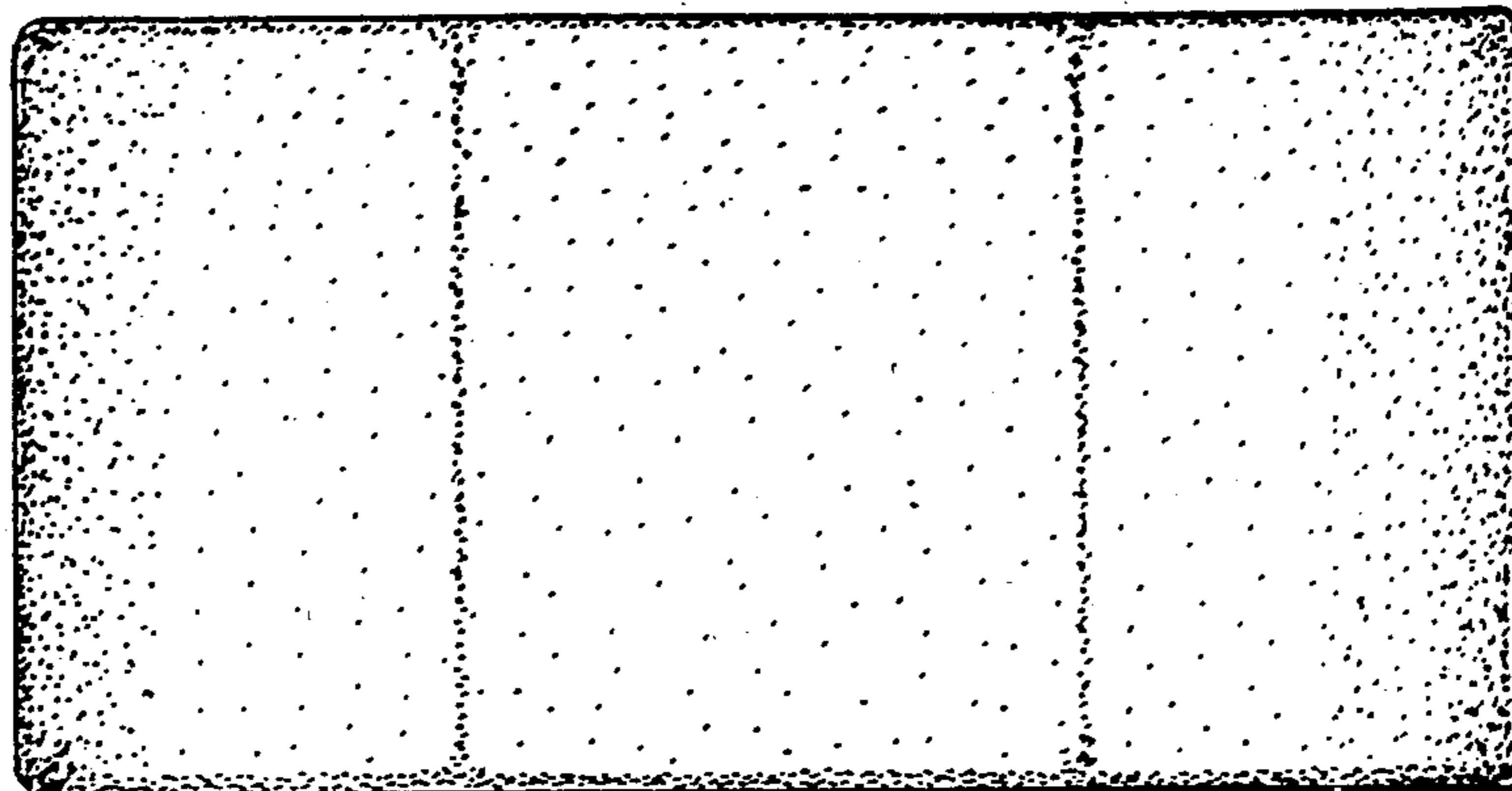
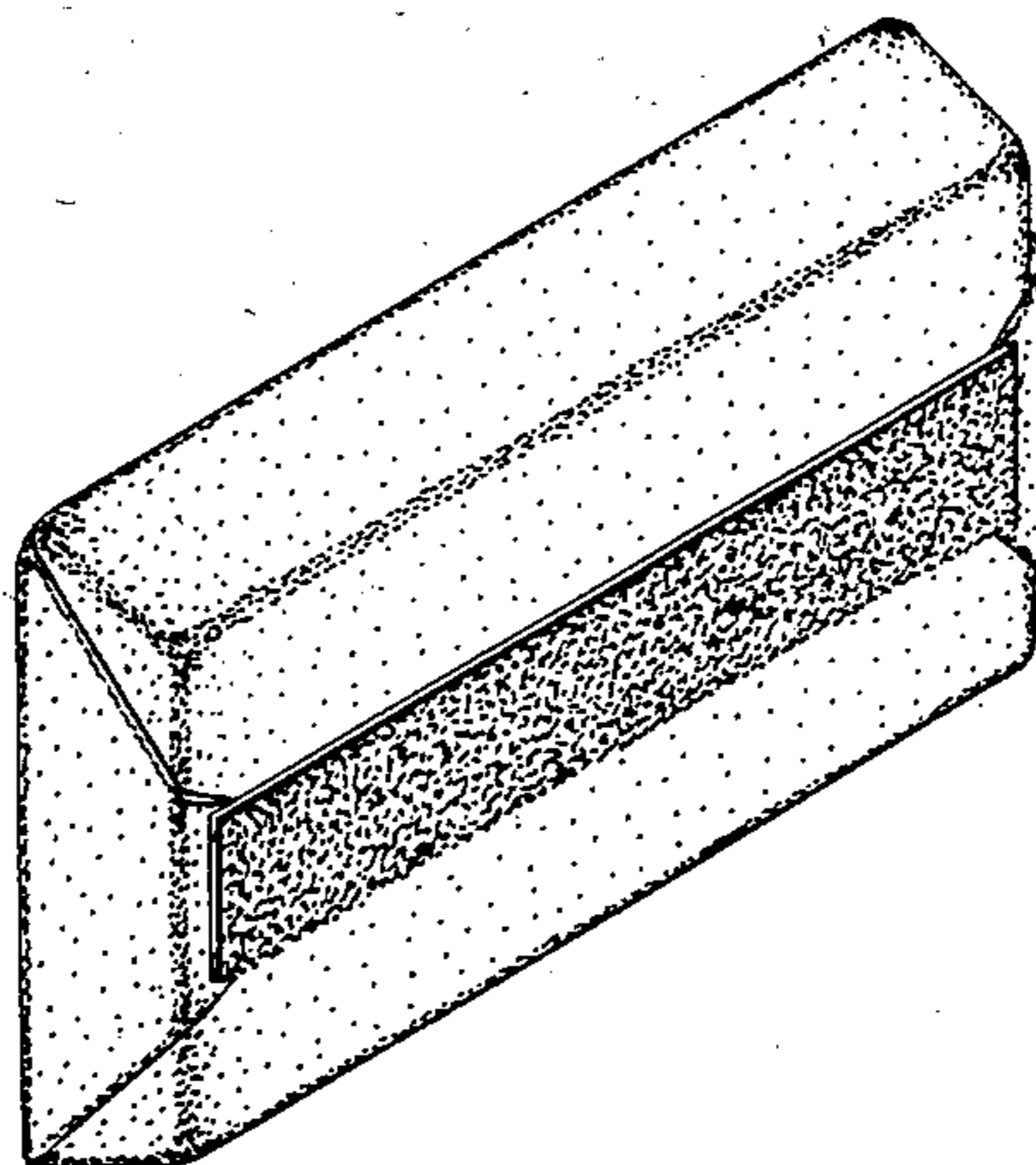
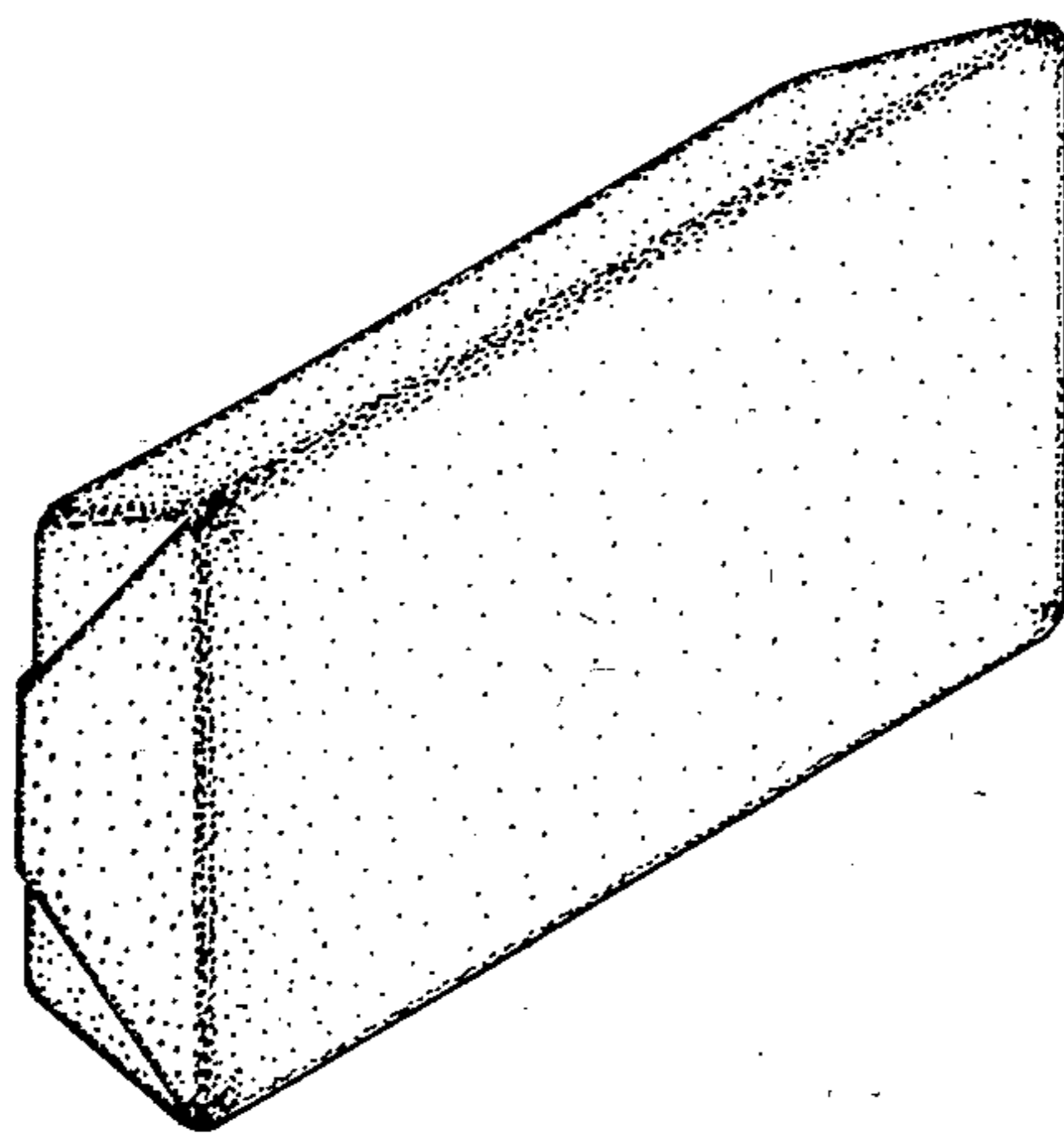


FIG. 1

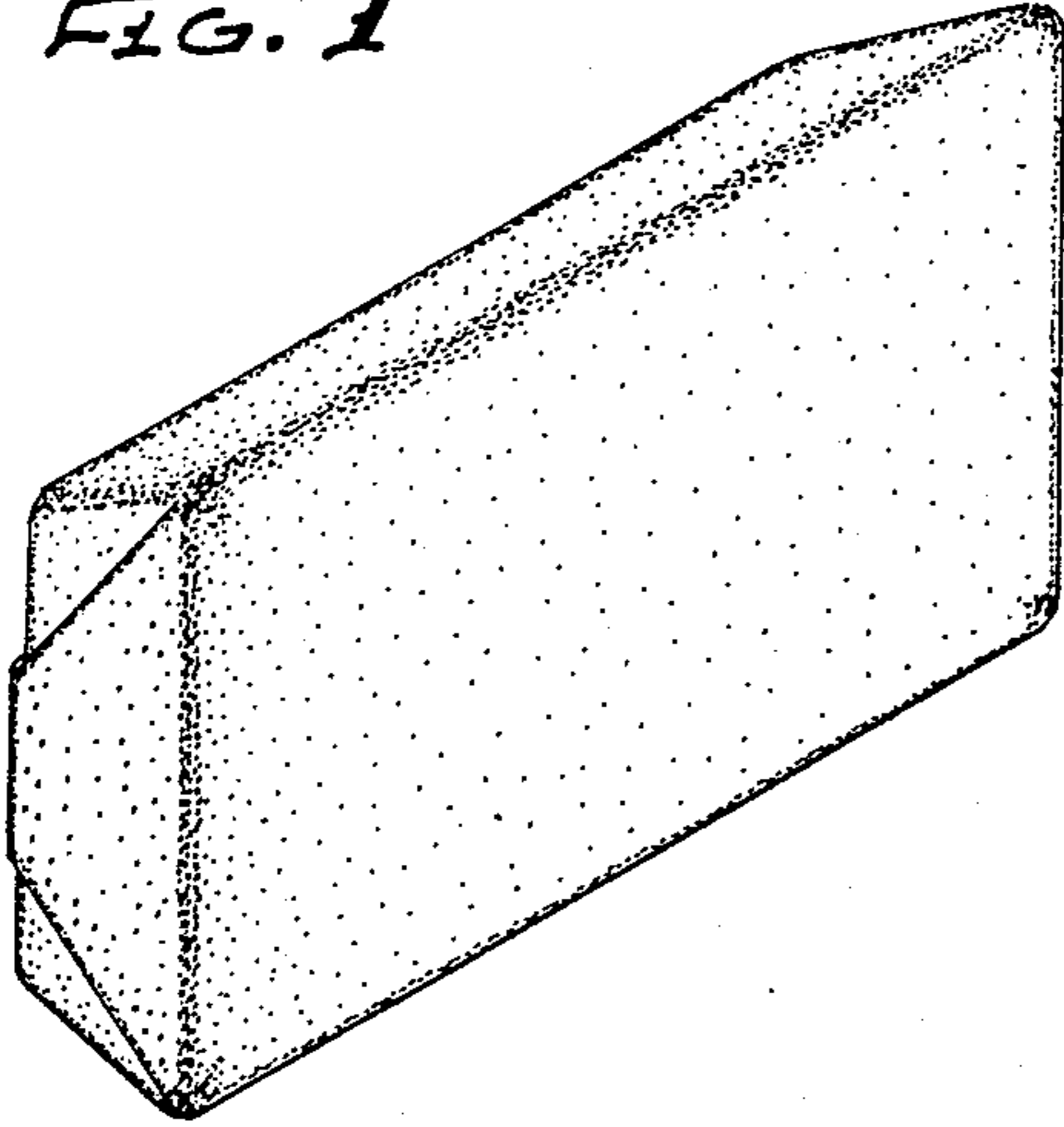


FIG. 2

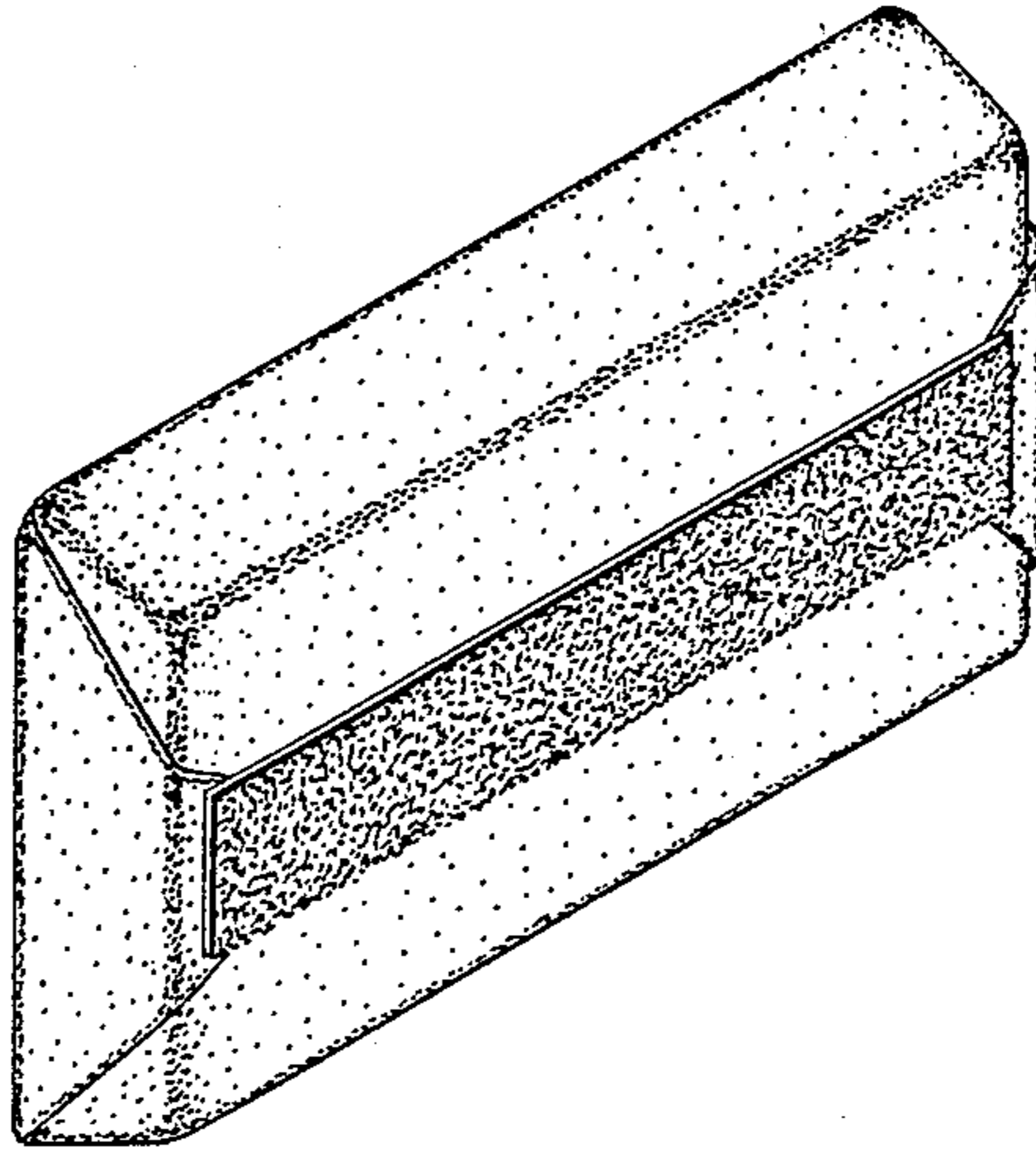


FIG. 3

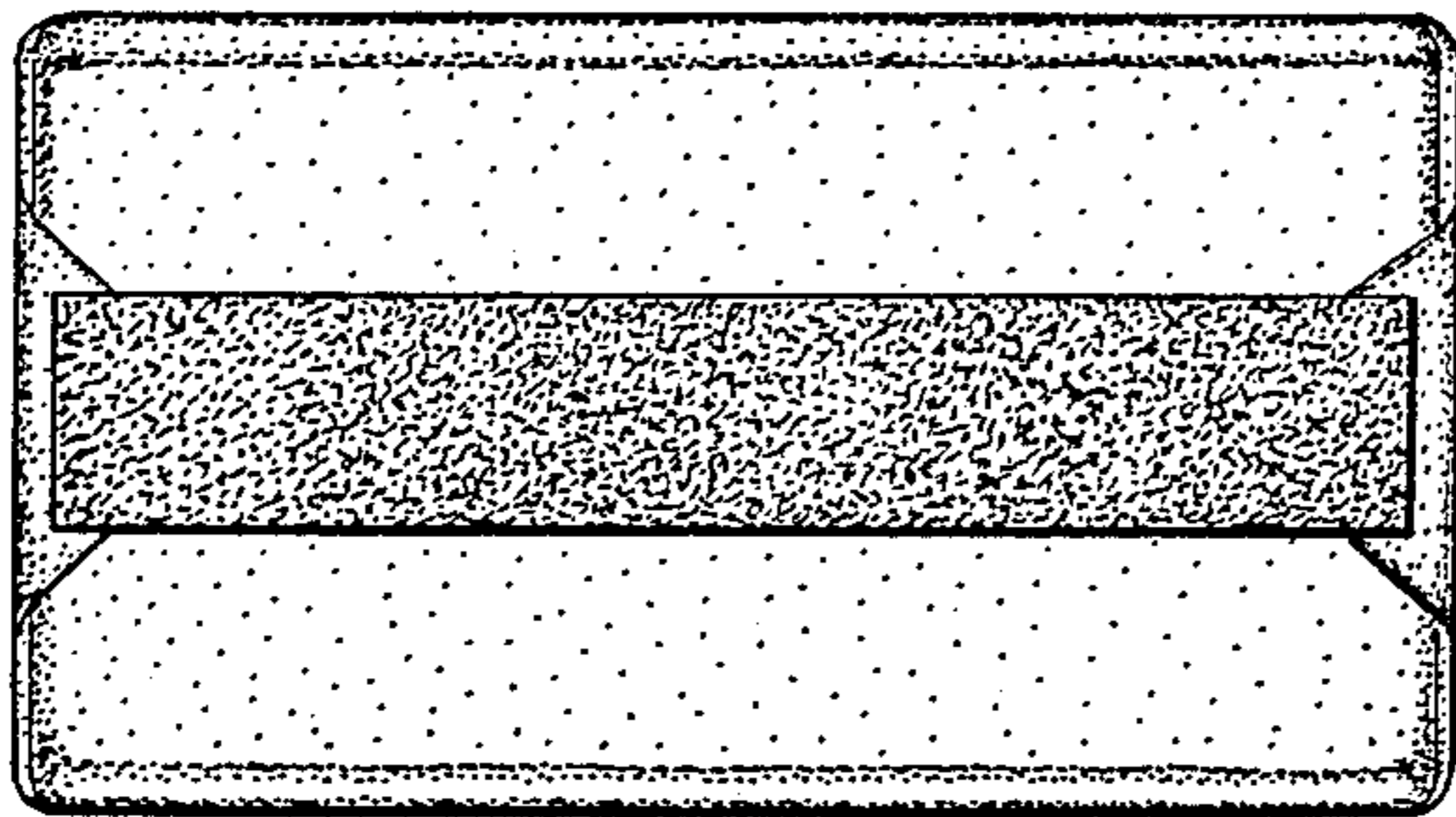


FIG. 4

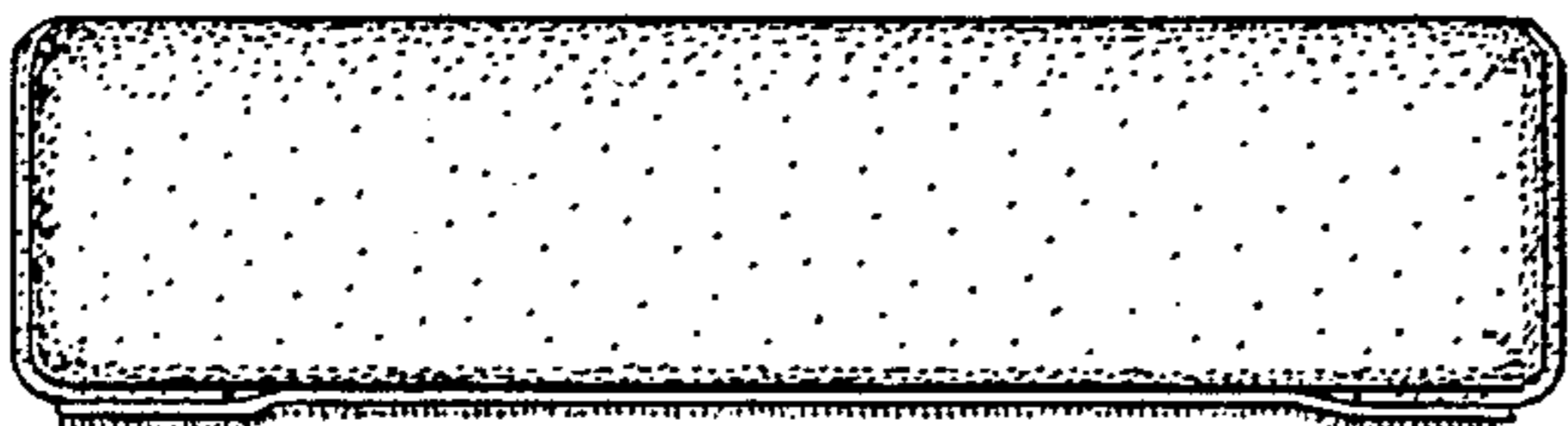
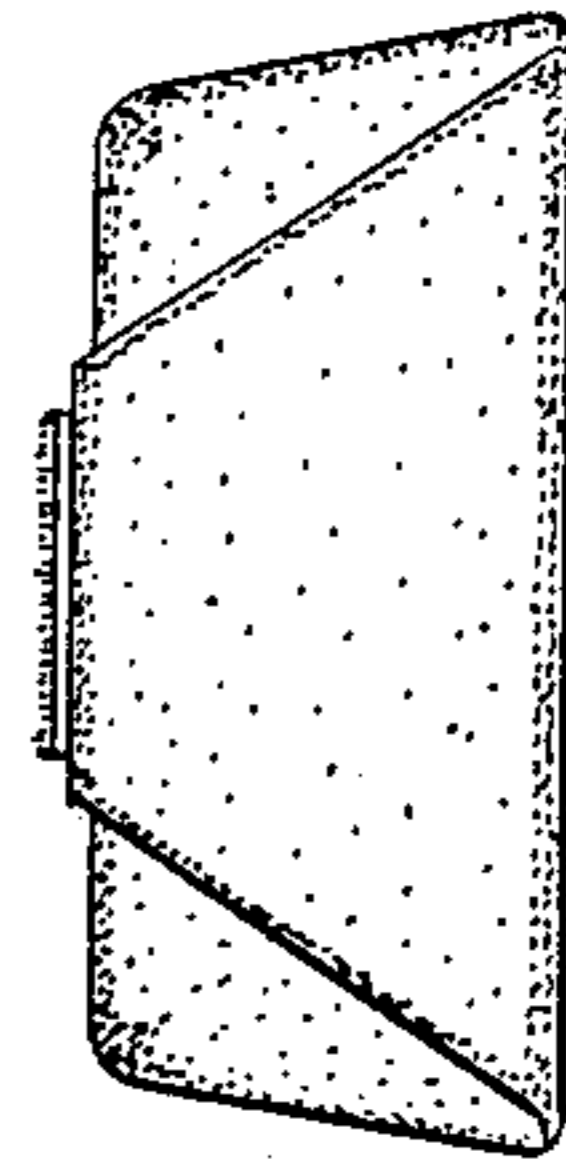


FIG. 5

FIG. 6

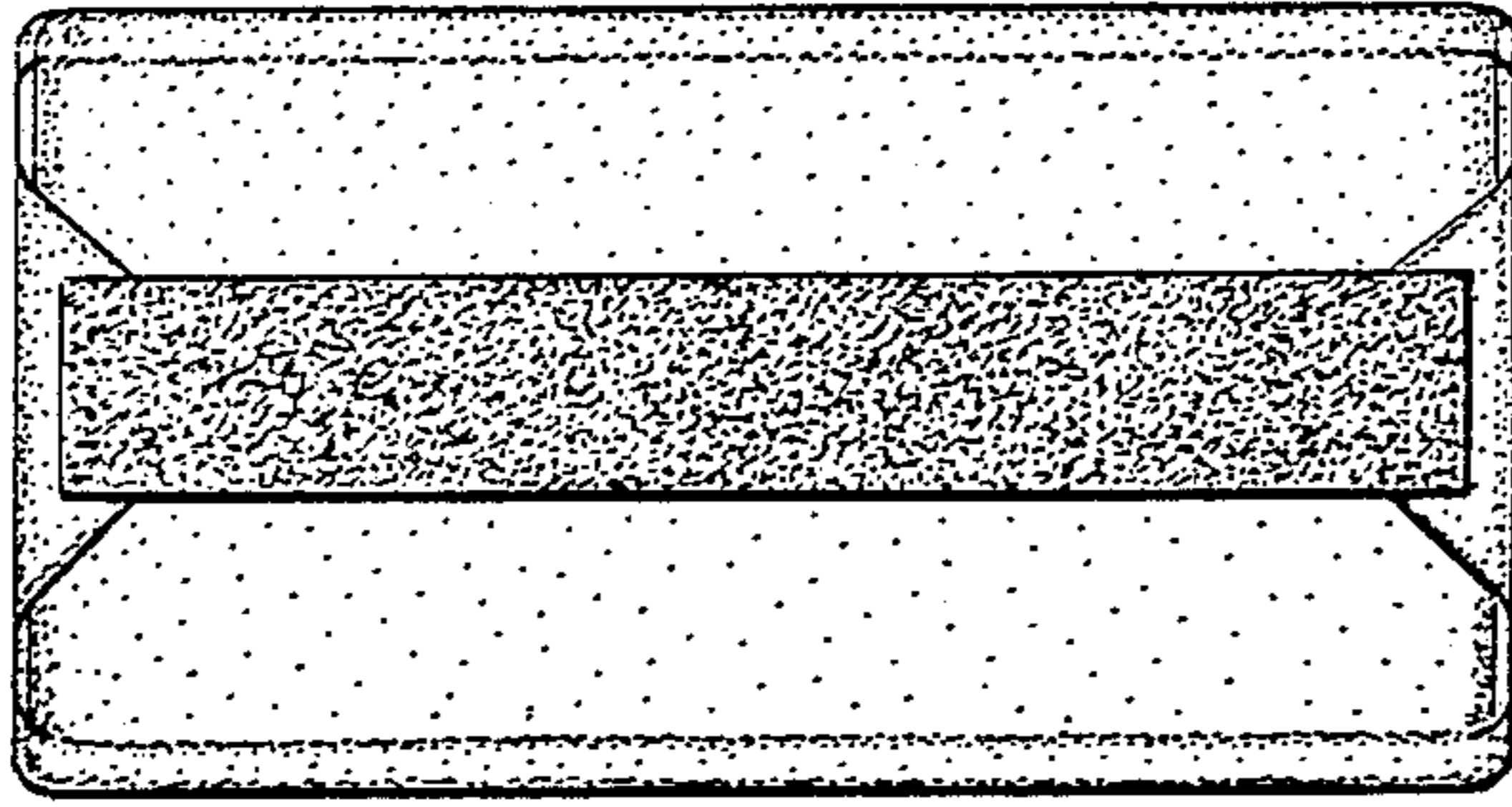


FIG. 7

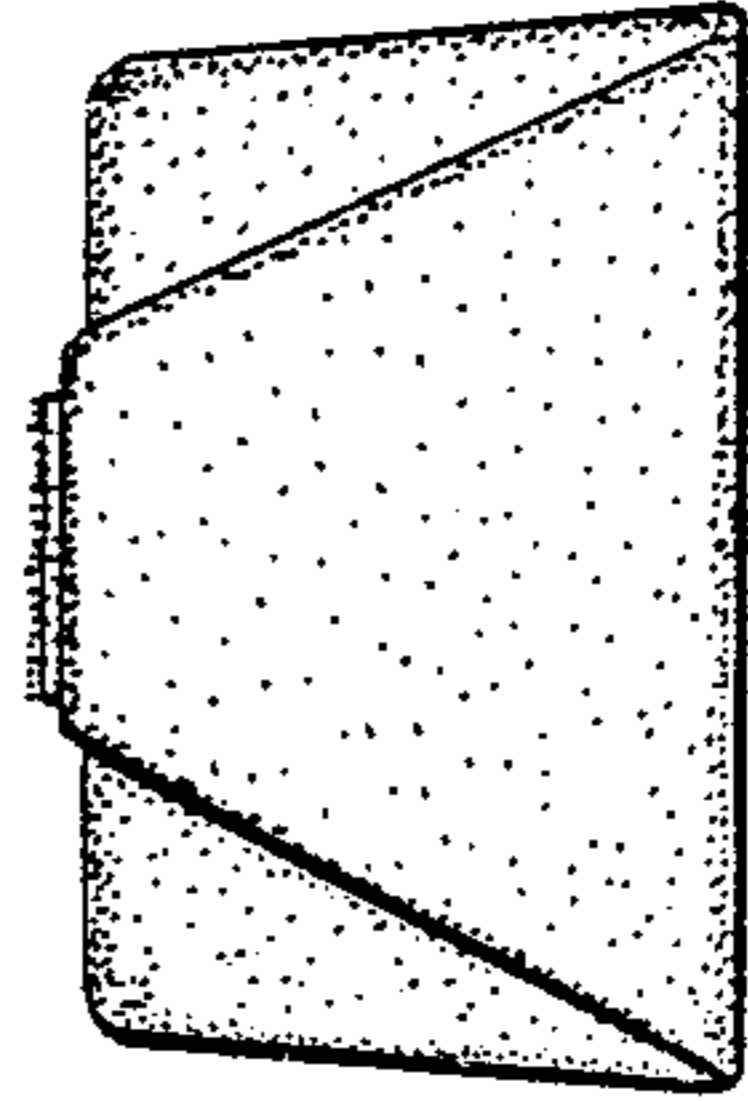


FIG. 8

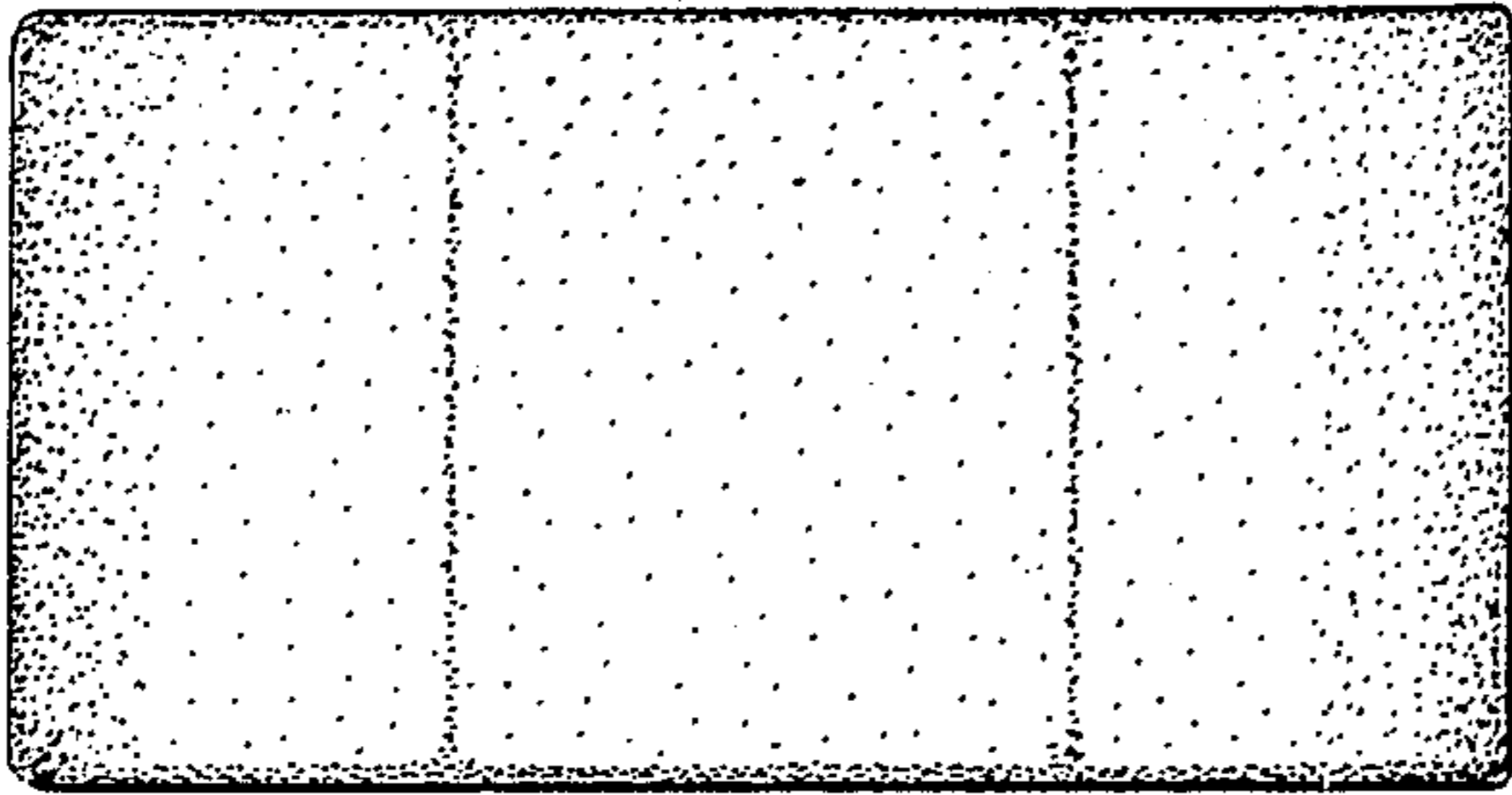


FIG. 9

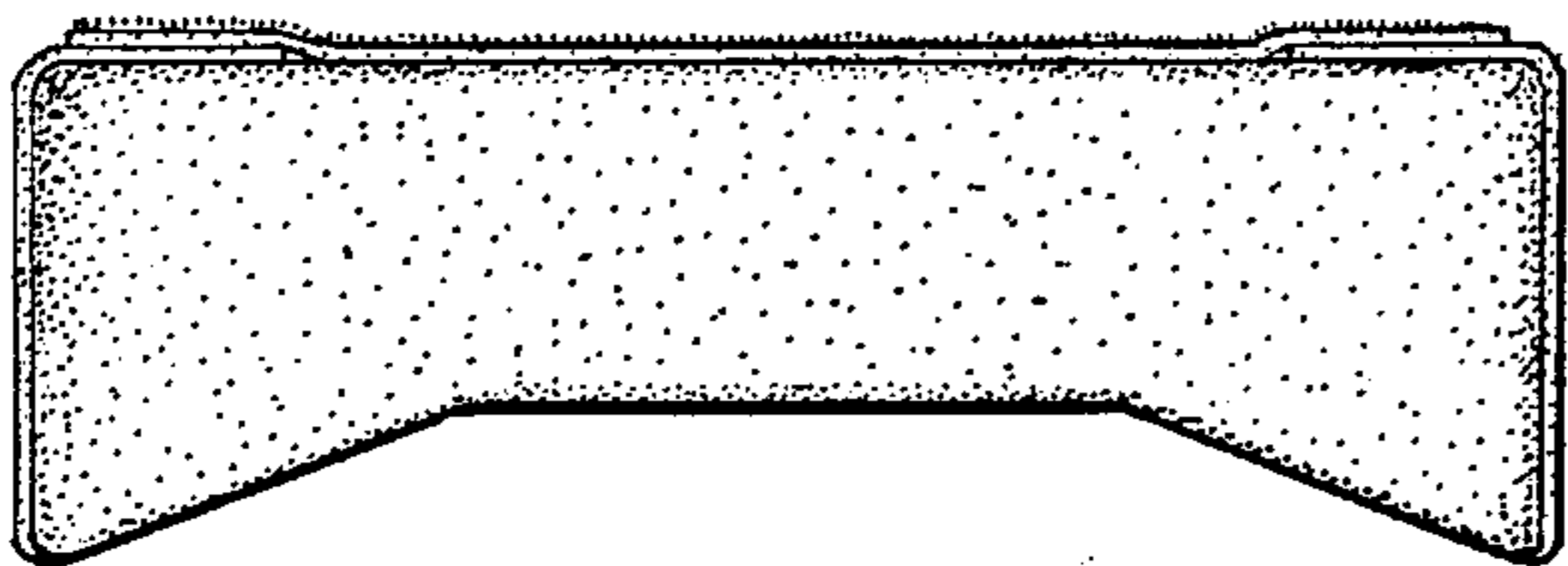


FIG. 10

