

[54] **SKI RACK OR THE LIKE**

[75] **Inventor: John French, Gloucester, Canada**

[73] **Assignee: Tulipe International Inc., Ontario, Canada**

[\*\*] **Term: 14 Years**

[21] **Appl. No.: 90,351**

[22] **Filed: Aug. 28, 1987**

[30] **Foreign Application Priority Data**

Jun. 19, 1987 [CA] Canada ..... 19-06-87-2

[52] **U.S. Cl. .... D6/552**

[58] **Field of Search ..... D6/520, 552, 572, 567; D8/356, 373, 380; 211/13, 60.1, 70.5, 70.6, 70.7; 242/55.3**

[56] **References Cited**

**U.S. PATENT DOCUMENTS**

D. 166,534	4/1952	Grady .....	D6/520
D. 191,861	12/1961	Wooster .....	D6/520
D. 205,184	7/1966	Johnson .....	D6/520 X
D. 229,805	1/1974	James .....	D6/520 X
D. 239,903	5/1976	Donaldson .....	D6/552
D. 268,309	3/1983	Watt .....	D6/552
D. 281,838	12/1985	Thompson .....	D6/567 X
4,508,229	4/1985	Yost, Jr. ....	211/70.5

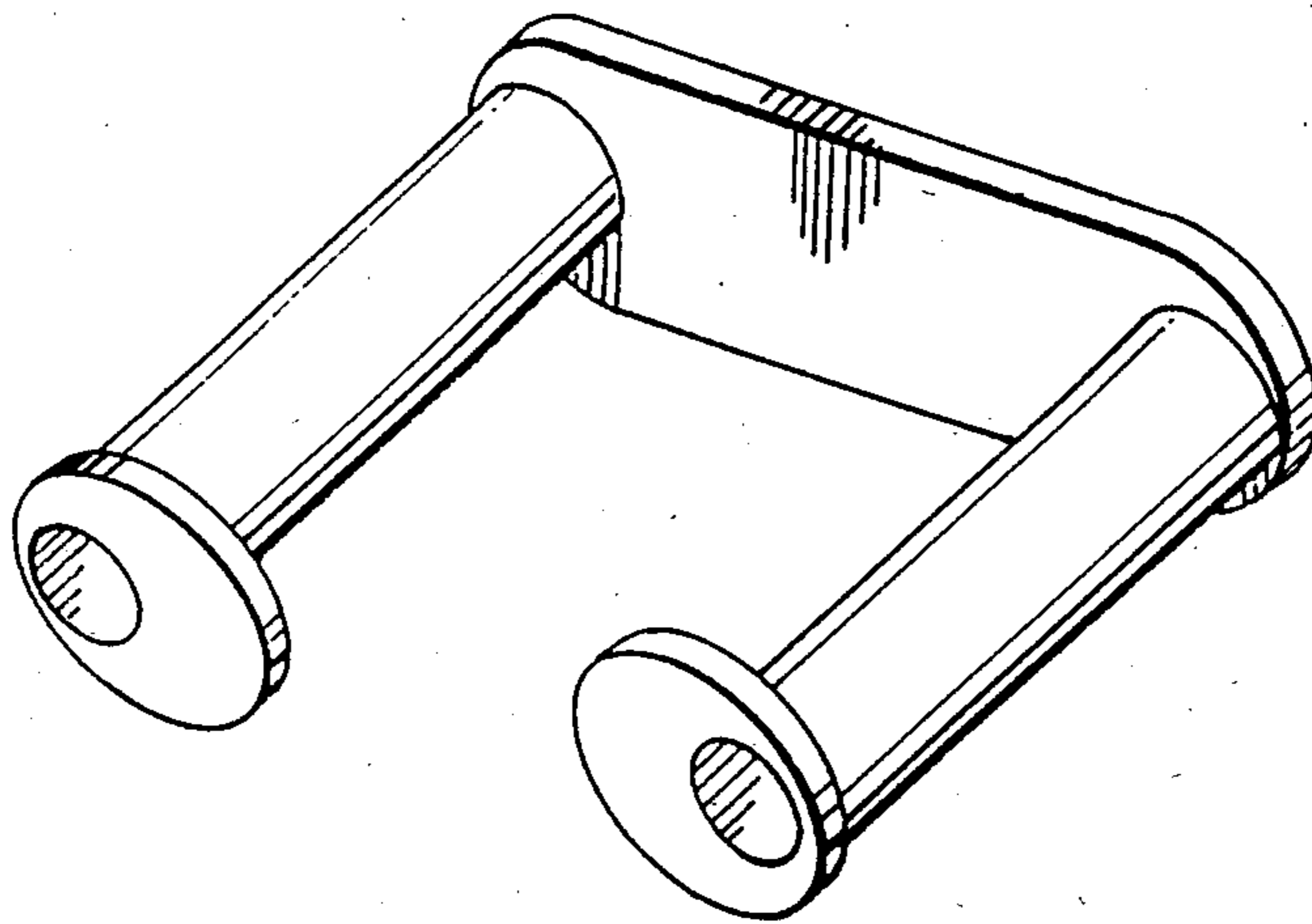
*Primary Examiner*—Wallace R. Burke  
*Assistant Examiner*—Brian N. Vinson  
*Attorney, Agent, or Firm*—Sixbey, Friedman, Leedom & Ferguson

[57] **CLAIM**

The ornamental design for a ski rack or the like, as shown and described.

**DESCRIPTION**

FIG. 1 is a top, front and right side perspective view of a ski rack or the like showing my new design; and FIG. 2 is a rear, bottom and left side perspective view thereof.



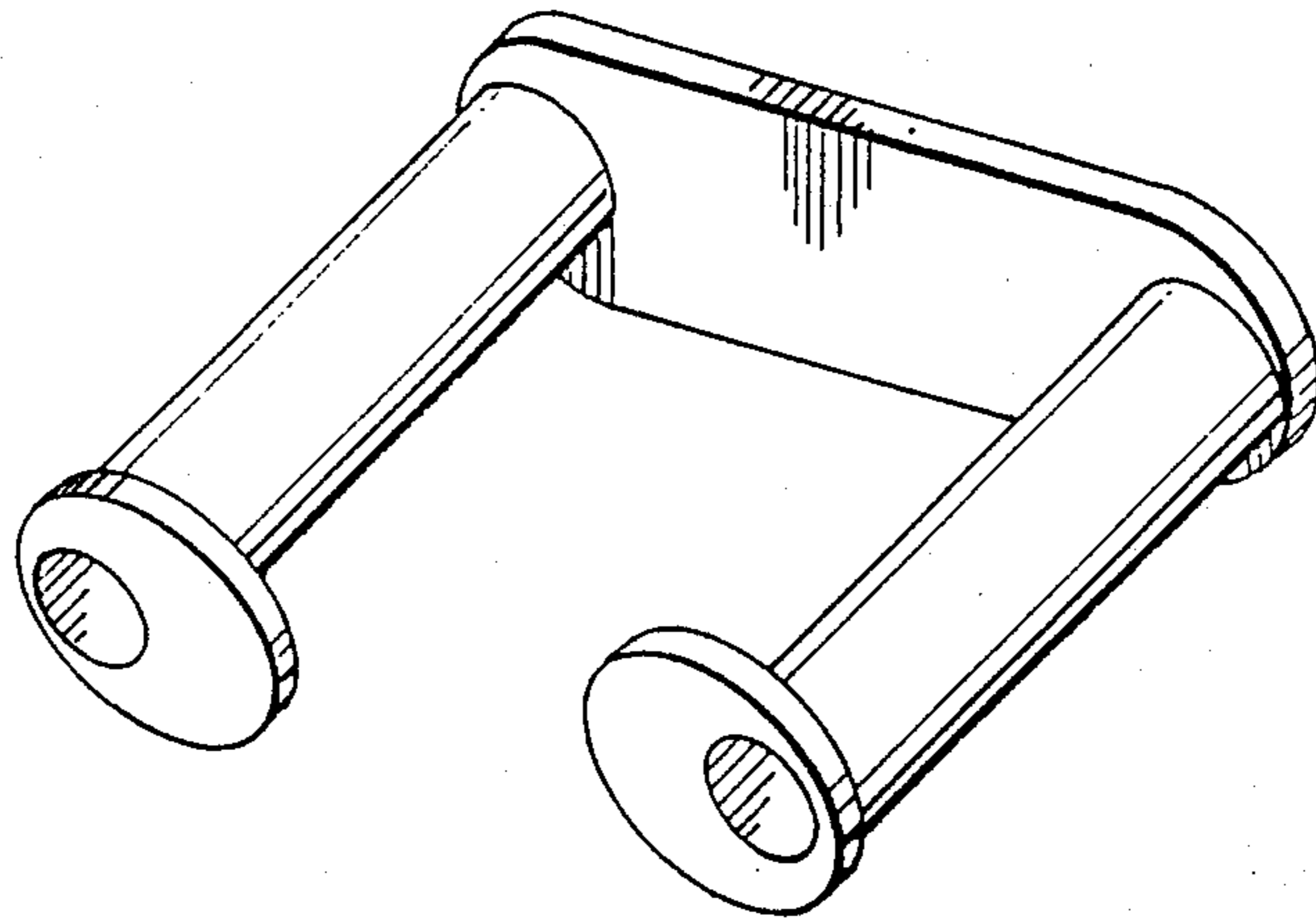


FIG. 1

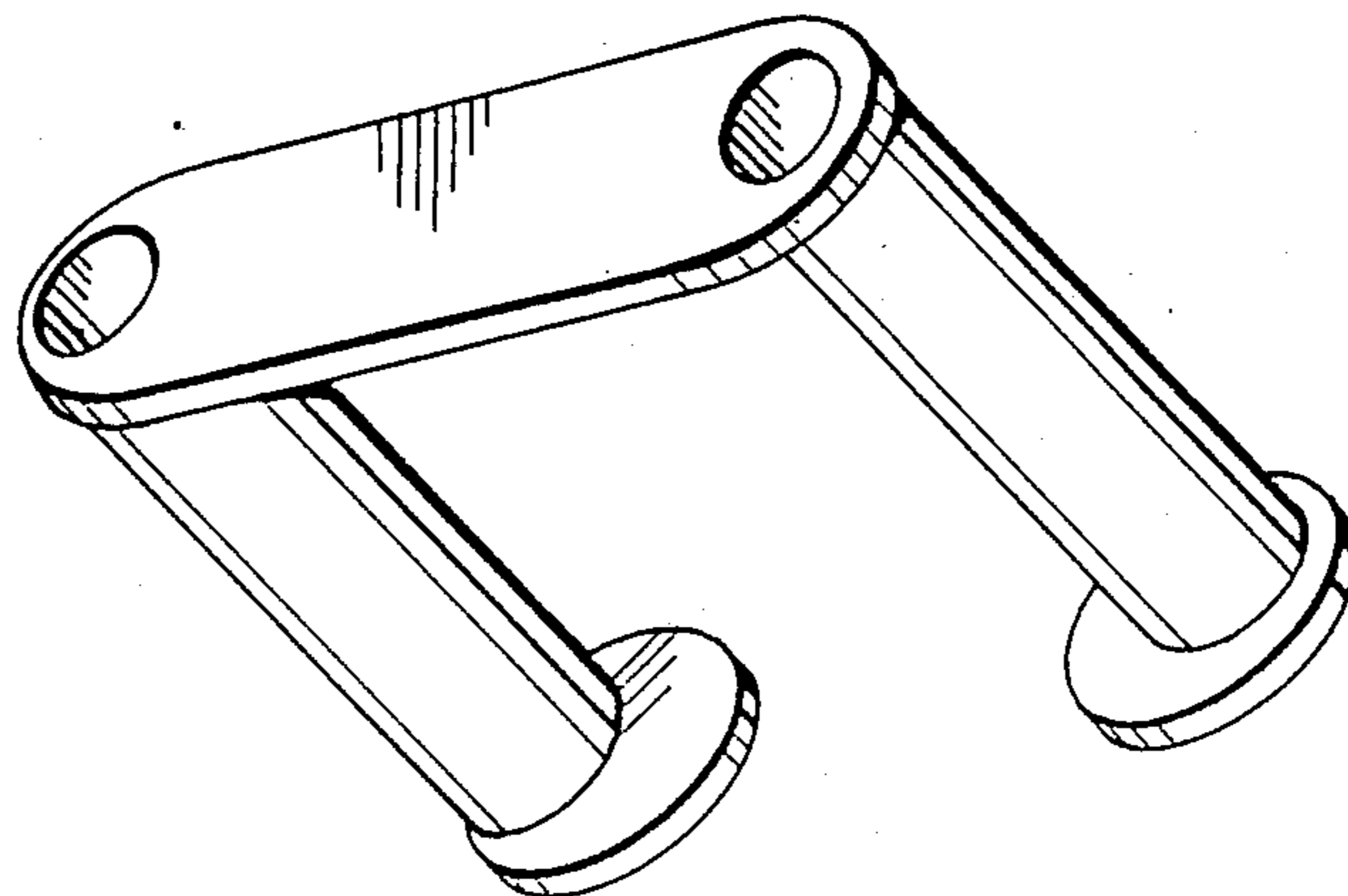


FIG. 2