

**United States Patent** [19]  
**Heiligenstein**

[11] **Patent Number: Des. 304,974**  
[45] **Date of Patent: \*\* Dec. 5, 1989**

[54] **MASSAGER**

[75] **Inventor: Luc Heiligenstein, Chicago, Ill.**

[73] **Assignee: Associated Mills Inc., Chicago, Ill.**

[\*\*] **Term: 14 Years**

[21] **Appl. No.: 927,695**

[22] **Filed: Nov. 6, 1986**

[52] **U.S. Cl. .... D24/41; D24/36;  
D24/40**

[58] **Field of Search ..... D24/41, 42, 40, 36;  
128/24.3, 24.4, 57, 59-62 R, 67**

[56] **References Cited**

**U.S. PATENT DOCUMENTS**

D. 209,031 10/1967 Teranishi ..... D24/41  
D. 228,473 9/1973 Koshido et al. .... D24/41

D. 266,532 10/1982 Grube ..... D24/41  
4,632,095 12/1986 Libin ..... 128/60 X

*Primary Examiner*—Wallace R. Burke  
*Assistant Examiner*—Stella M. Reid  
*Attorney, Agent, or Firm*—Laff, Whitesel, Conte & Saret

[57] **CLAIM**

The ornamental design for a massager, as shown.

**DESCRIPTION**

FIG. 1 is a perspective view of a massager, showing my new design;  
FIG. 2 is a right side elevational view thereof;  
FIG. 3 is a front end view thereof;  
FIG. 4 is a top plan view thereof;  
FIG. 5 is a bottom plan view thereof;  
FIG. 6 is a left side elevational view thereof; and  
FIG. 7 is a rear end view thereof.

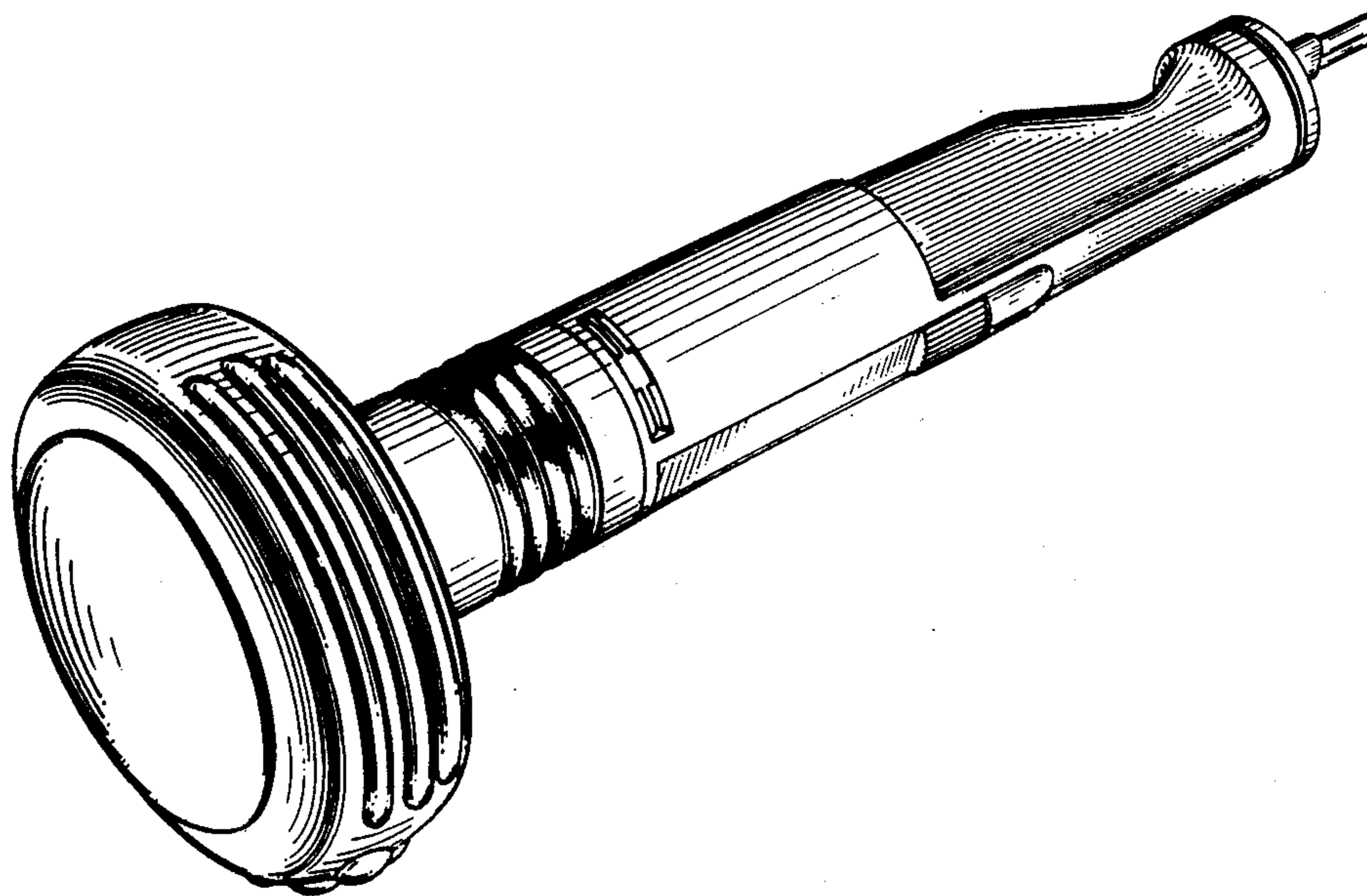


Fig. 1

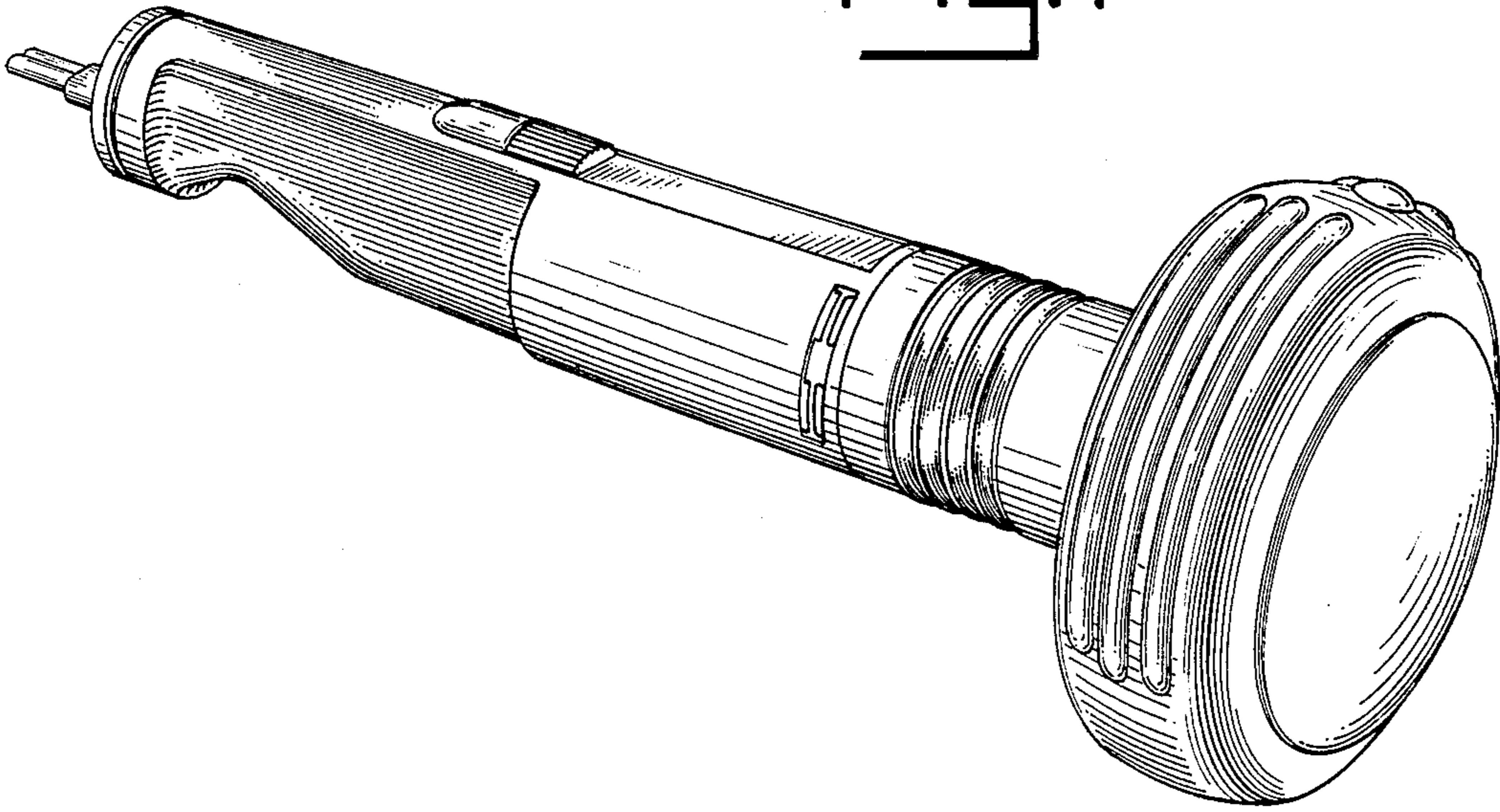


Fig. 2

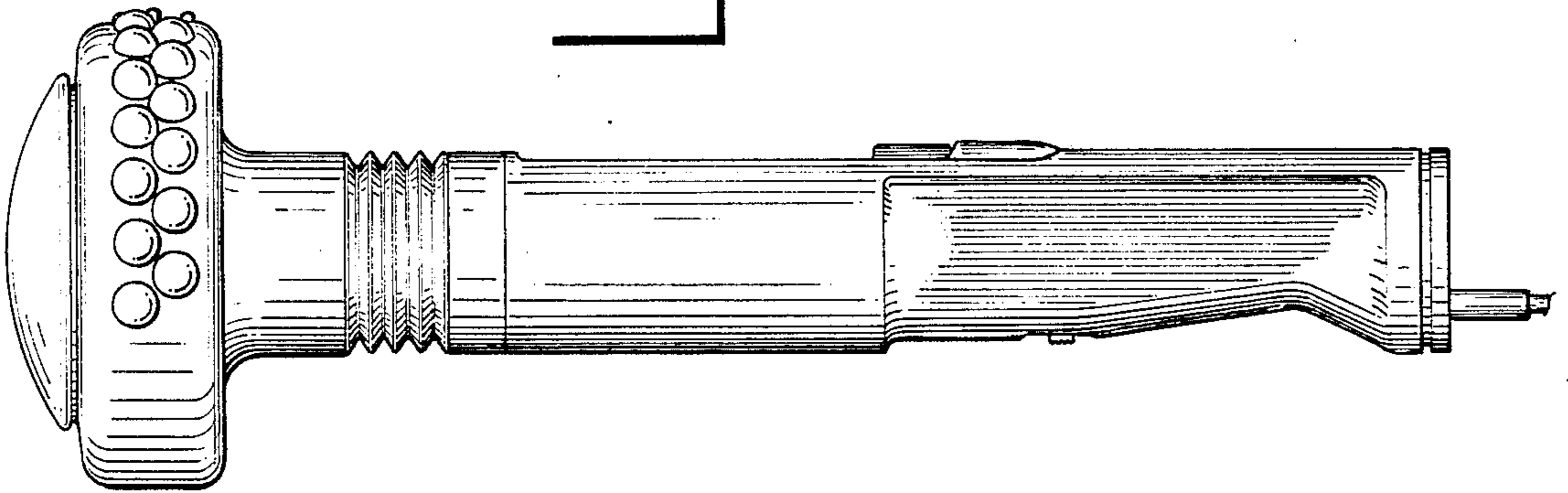


Fig. 3

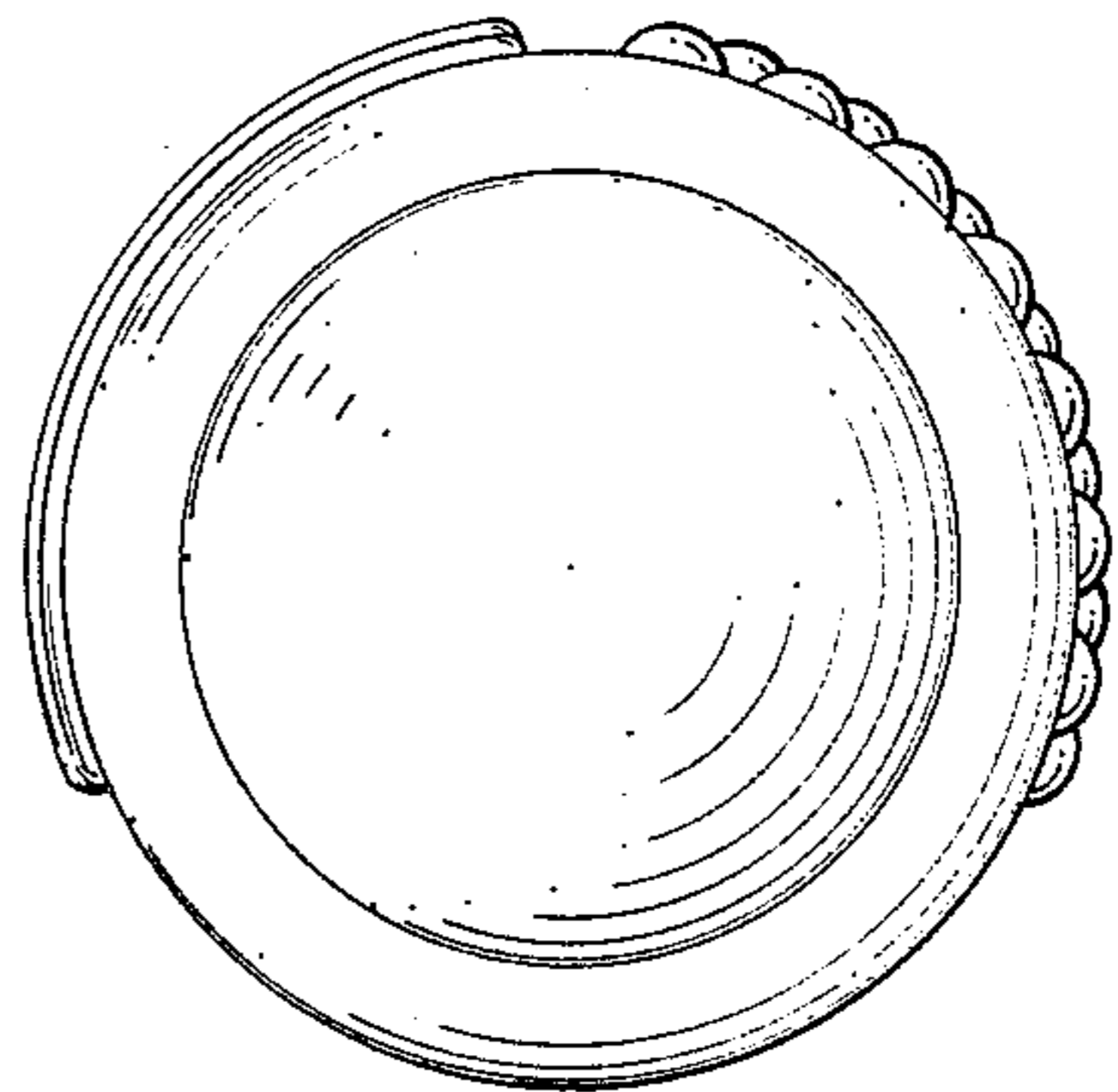


Fig. 4

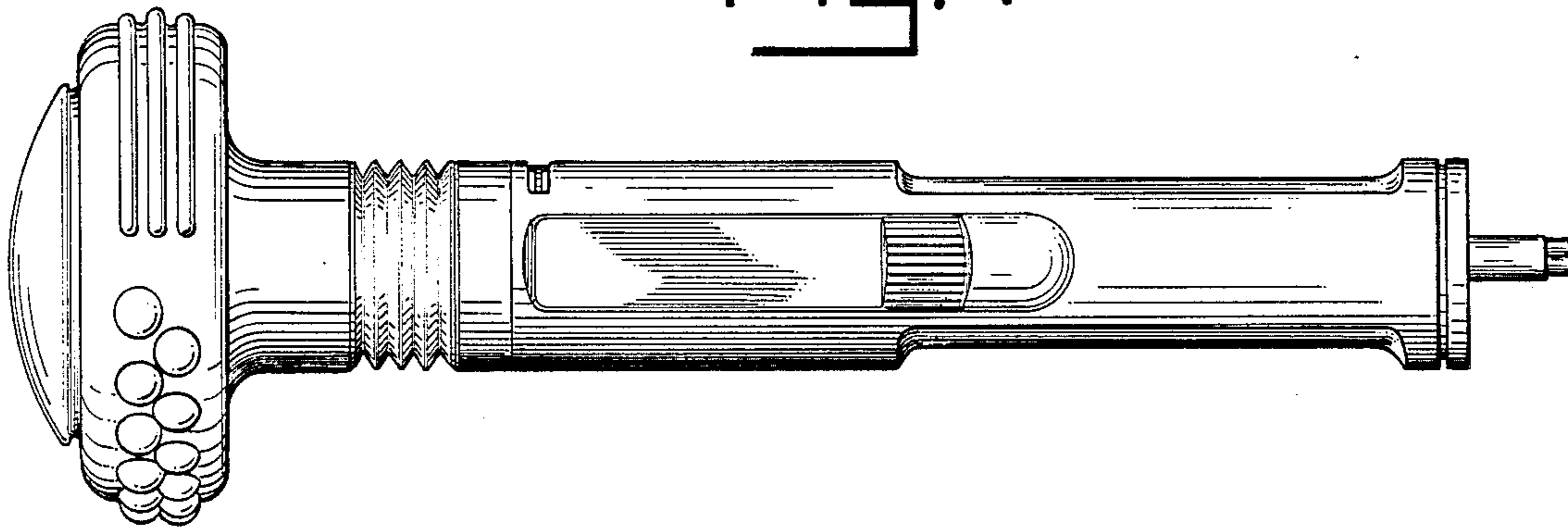


Fig. 5

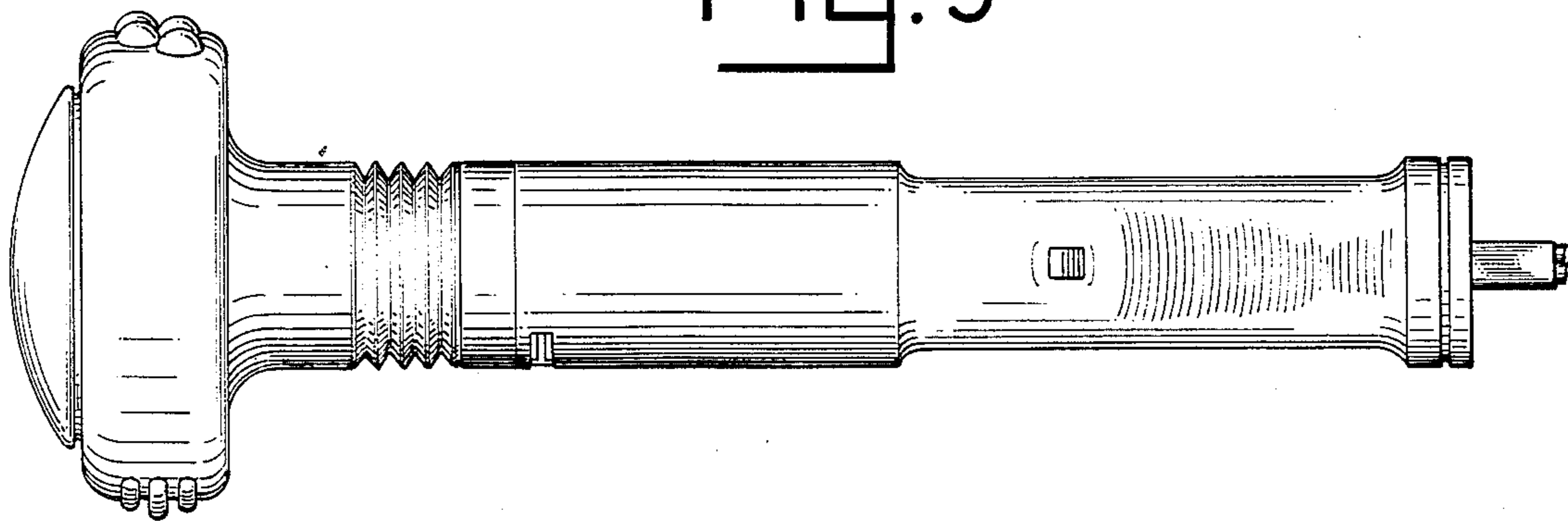


Fig. 6

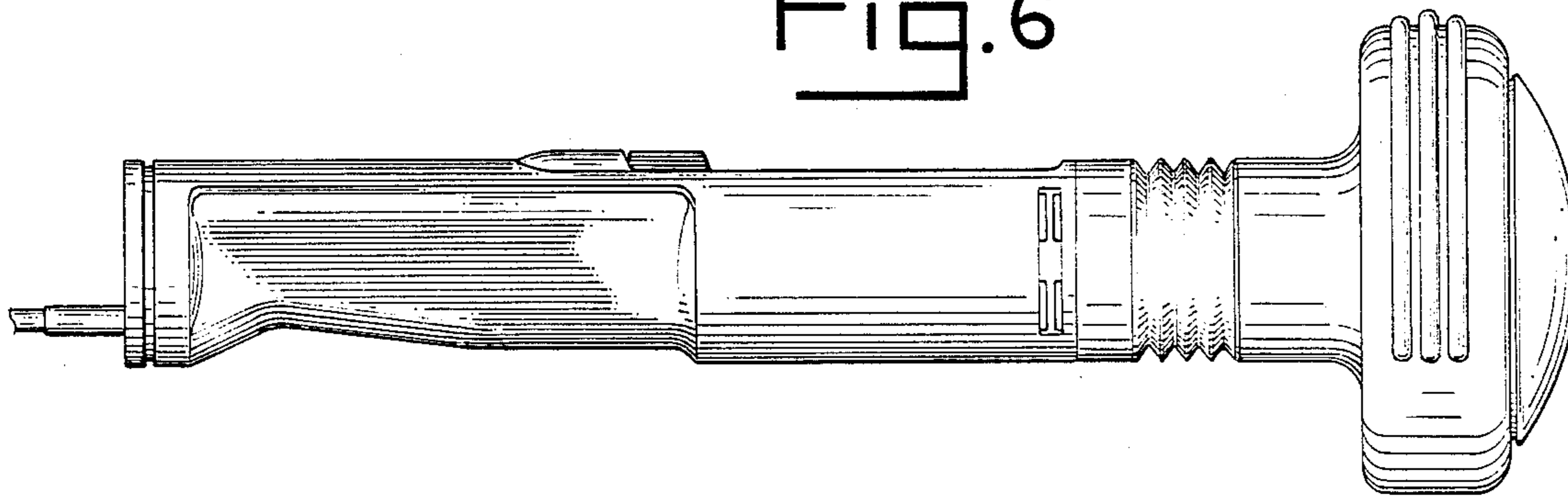


Fig. 7

