

[54] SHRIMP JIG WITH SPINNER
 [75] Inventor: Robert P. Holzman, Portland, Oreg.
 [73] Assignee: Poulsen-Cascade Corporation,
 Portland, Oreg.
 [**] Term: 14 Years
 [21] Appl. No.: 210,112
 [22] Filed: Jun. 22, 1988
 [52] U.S. Cl. D22/129
 [58] Field of Search D22/126, 129; 43/42.17,
 43/42.19, 42, 42.16, 42.32, 42.33, 42.5, 42.51,
 43.1, 42.22

2,162,845 6/1939 Jones D22/129 X
 2,215,764 9/1840 Okesson et al. .
 2,323,096 5/1941 McDowell .
 2,516,434 7/1947 Swan .
 2,531,235 11/1950 Sicotte D22/129 X
 2,586,679 2/1952 Martin .
 2,608,787 9/1952 Krogue D22/129 X
 2,621,437 12/1952 Pedranti .
 2,674,823 4/1954 Gellings .
 2,698,494 1/1955 Larsen D22/129 X
 2,804,714 6/1955 Kratz .
 3,541,720 11/1967 Buffet .

Primary Examiner—A. Hugo Word
 Attorney, Agent, or Firm—Chernoff, Vilhauer, McClung
 & Stenzel

[56] References Cited
 U.S. PATENT DOCUMENTS

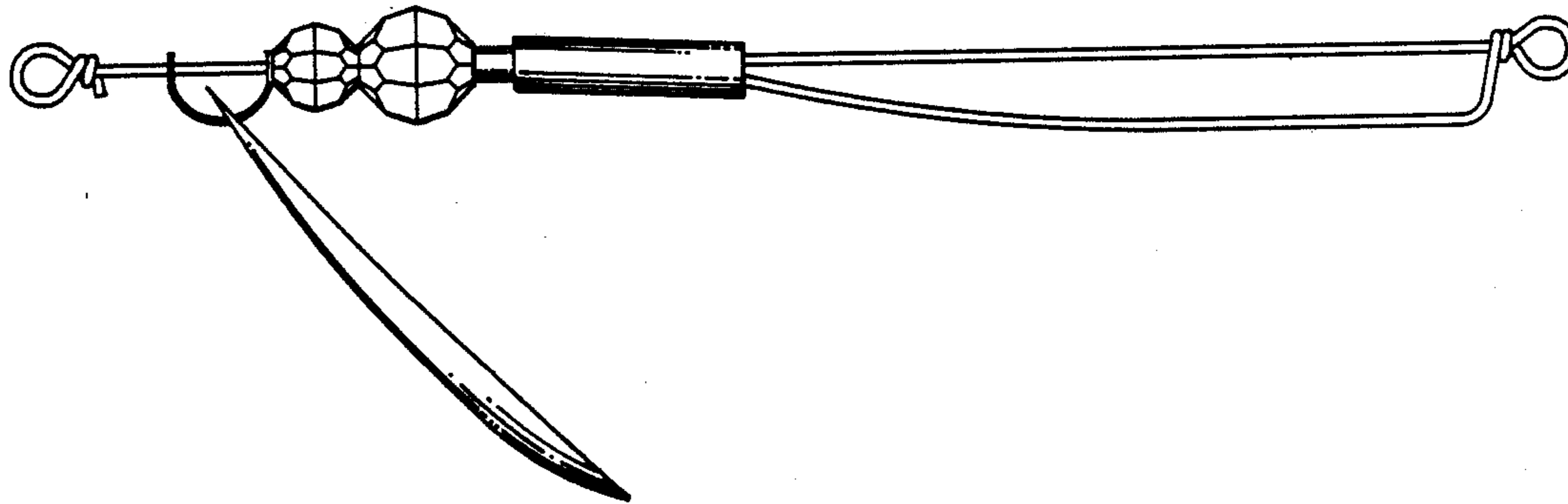
D. 5,291 9/1871 Mann .
 D. 191,113 8/1961 Hudson, Jr. .
 520,594 5/1894 Harlow .
 648,360 4/1900 Pflueger .
 1,400,629 12/1921 Selleck .
 1,533,022 3/1924 Mead .
 1,698,193 3/1927 Geer .
 1,837,558 12/1931 Lent .
 1,993,868 3/1935 Thornberg D22/129 X
 2,131,858 5/1936 Ledrich .

[57] CLAIM

The ornamental design for a shrimp jig with spinner, as shown.

DESCRIPTION

FIG. 1 is a top plan view of a shrimp jig with spinner showing my new design;
 FIG. 2 is a bottom plan view thereof;
 FIG. 3 is a left side elevational view thereof;
 FIG. 4 is a right side elevational view thereof;
 FIG. 5 is a front view thereof; and
 FIG. 6 is a rear view thereof.



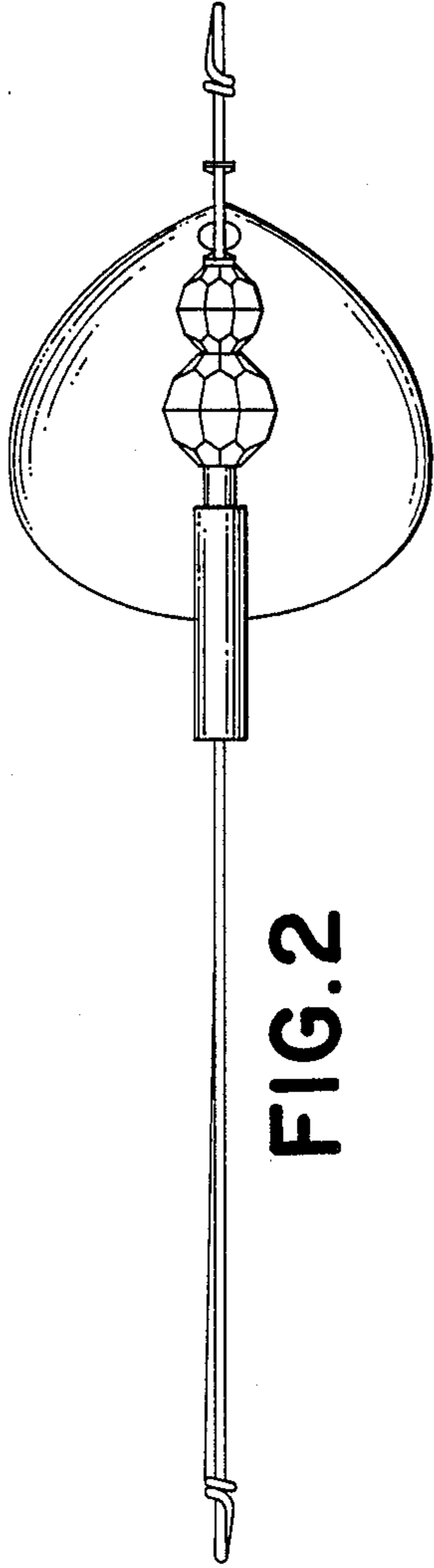


FIG. 2

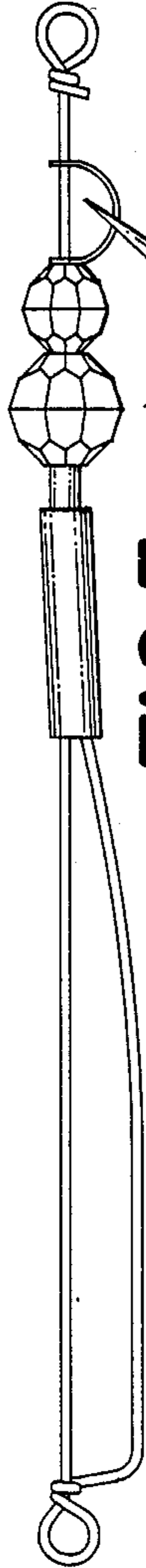


FIG. 3

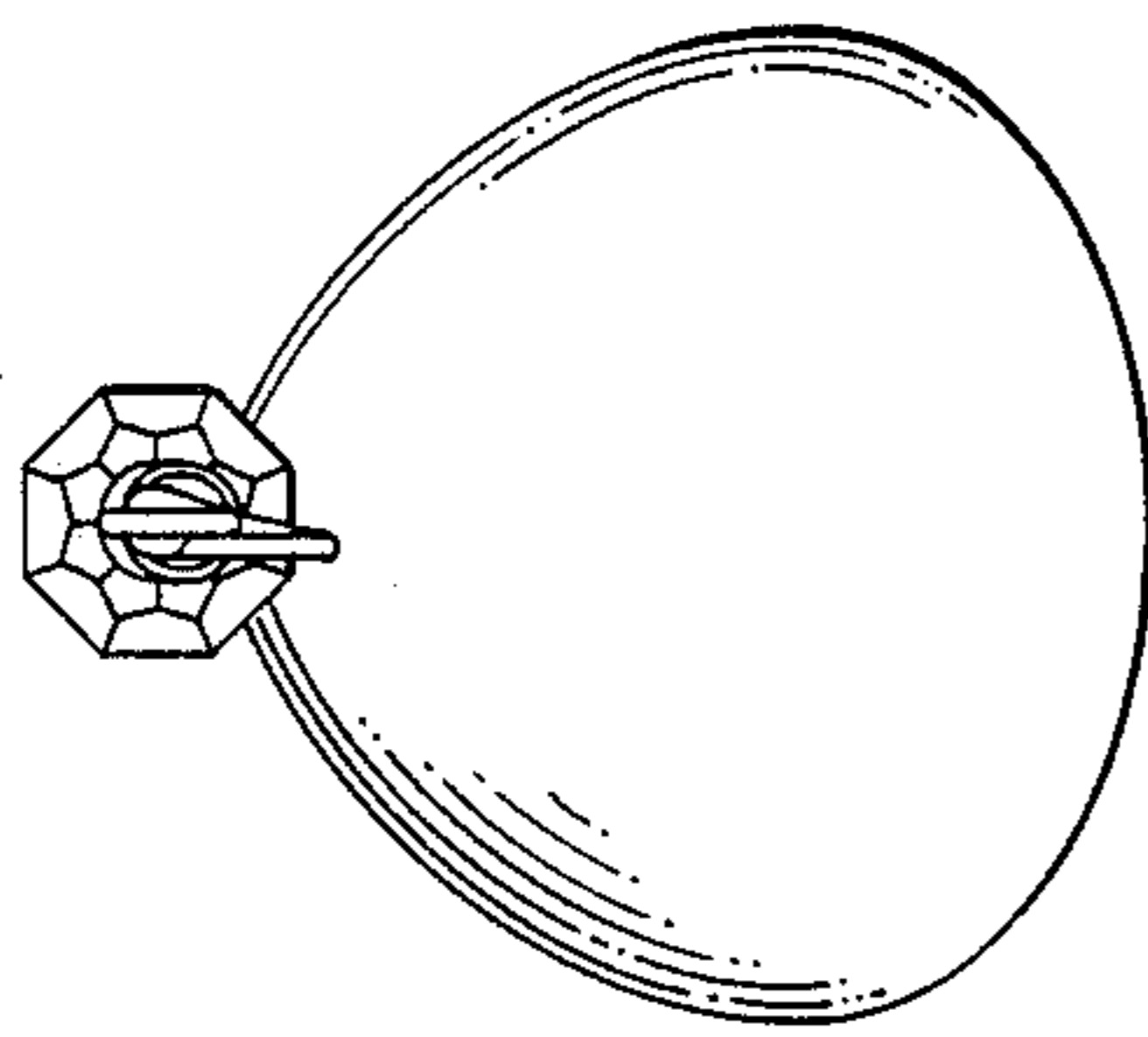


FIG. 6

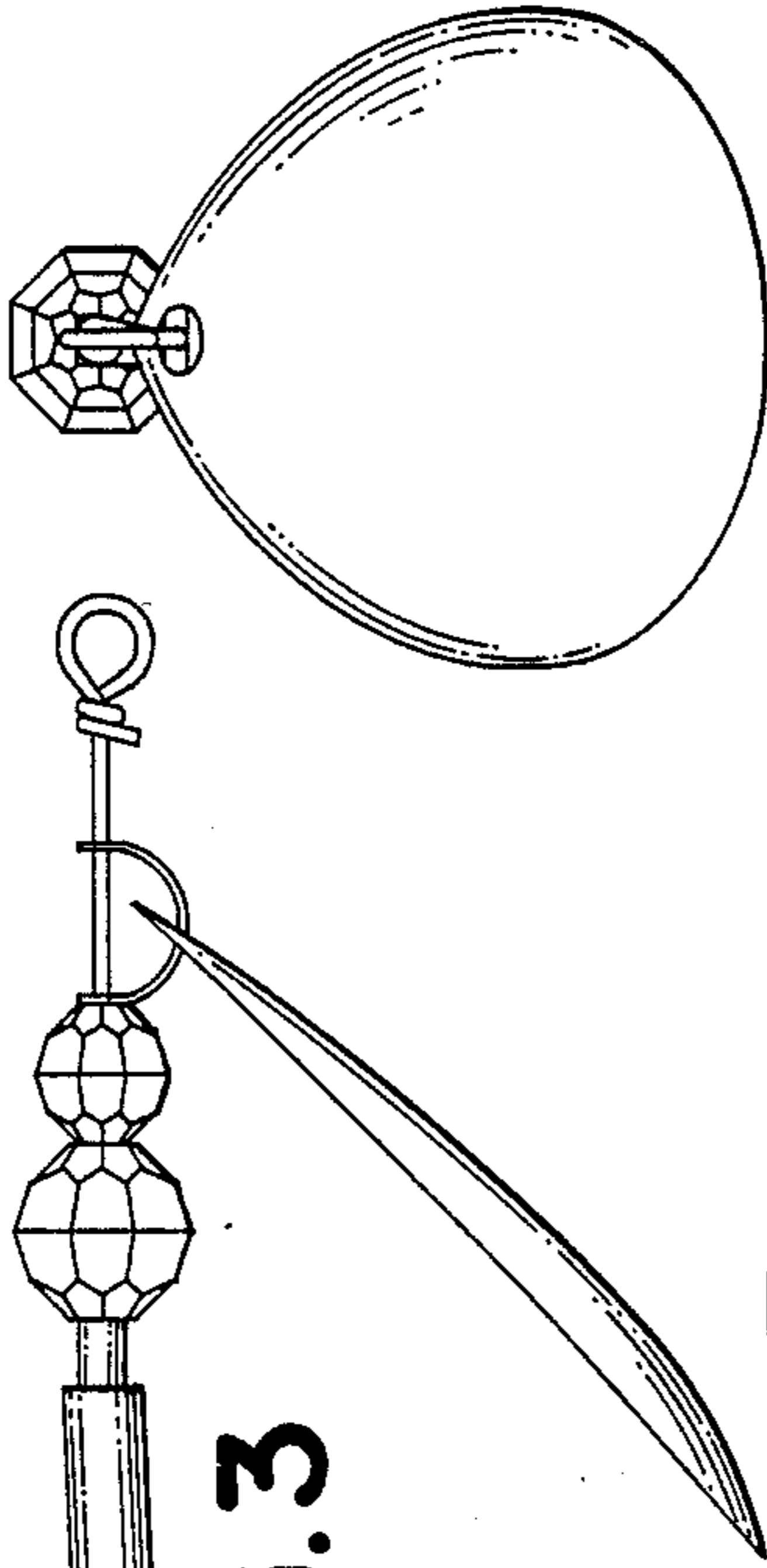


FIG. 5

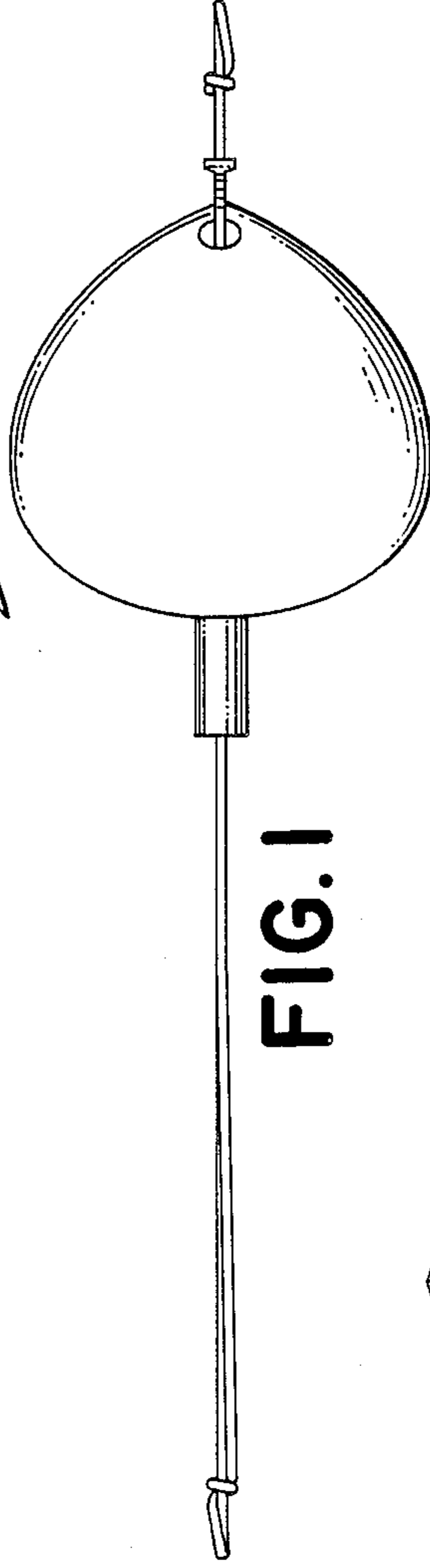


FIG. 1

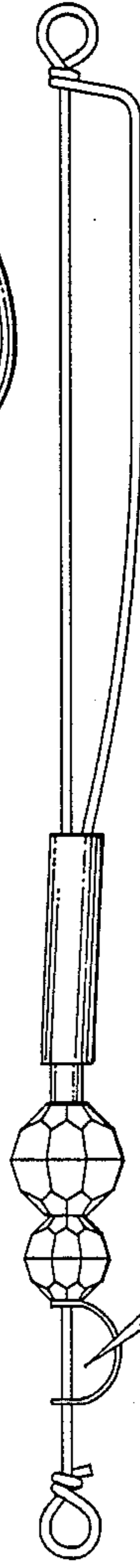


FIG. 4