

[54] **LOW BACK EXERCISER**

[75] **Inventors: Donald R. McIntyre, Chapel Hill;
James E. Miles, Graham, both of
N.C.**

[73] **Assignee: Isotechnologies, Inc., Hillsborough,
N.C.**

[**] **Term: 14 Years**

[21] **Appl. No.: 59,823**

[22] **Filed: Jun. 9, 1987**

[52] **U.S. Cl. D21/195**

[58] **Field of Search D21/191-199;
272/118, 119, 70, 96, 134, 136, 138, 141, 142,
143, 144**

[56] **References Cited**

U.S. PATENT DOCUMENTS

D. 259,799	7/1981	Brentham	D21/195
D. 281,712	12/1985	Stedman	D21/195
4,592,545	6/1986	Sagedahl et al.	272/136
4,620,701	11/1986	Majden	272/144
4,727,860	3/1988	McIntyre	272/134
4,799,671	1/1989	Hoggan et al.	272/134

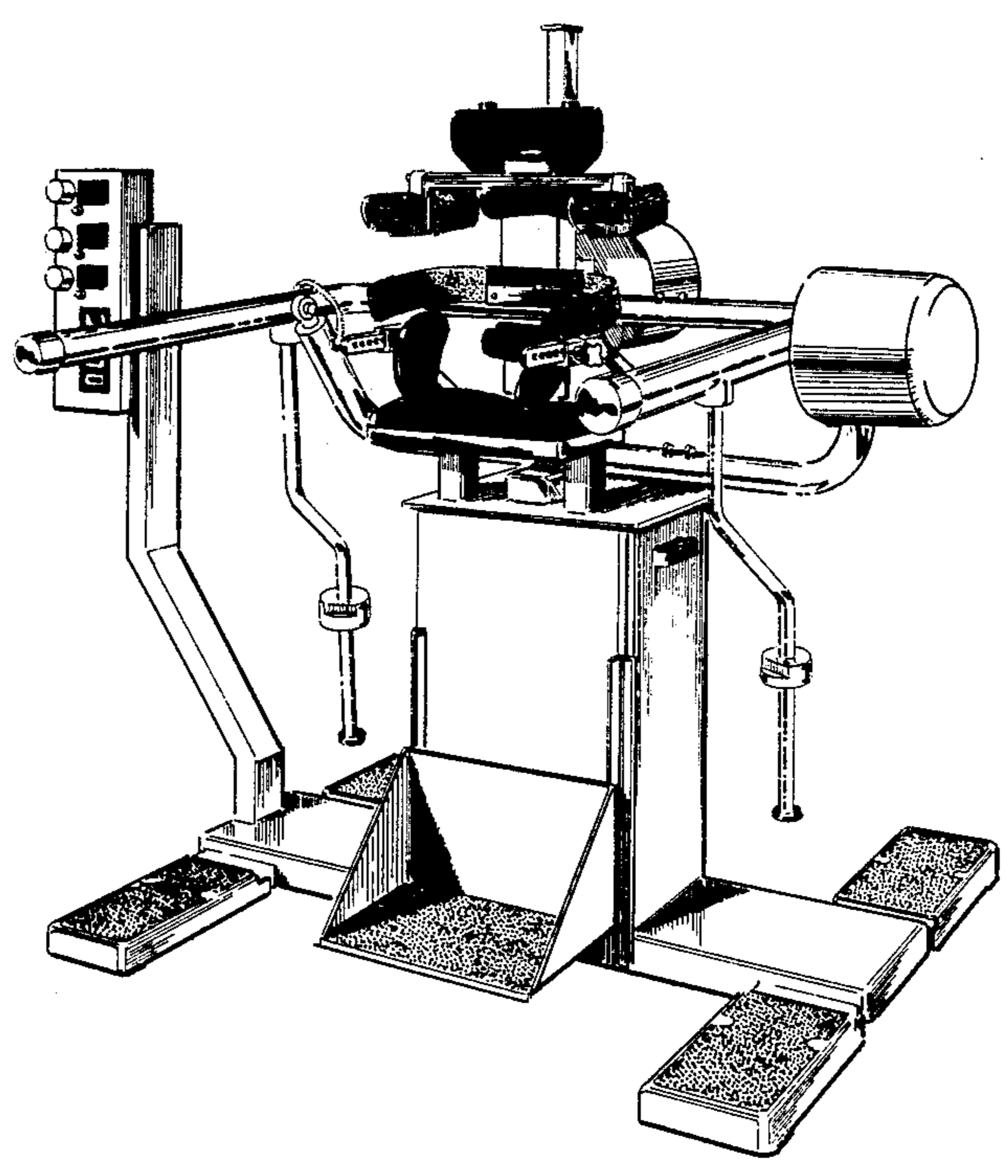
Primary Examiner—Charles A. Rademaker
Attorney, Agent, or Firm—Richard E. Jenkins

[57] **CLAIM**

The ornamental design for a low back exerciser, as shown and described.

DESCRIPTION

FIG. 1 is a front, left perspective view of a low back exerciser showing our new design;
FIG. 2 is a rear, right perspective view thereof.
FIG. 3 is a left side elevational view thereof; and,
FIG. 4 is a right side elevational view thereof.



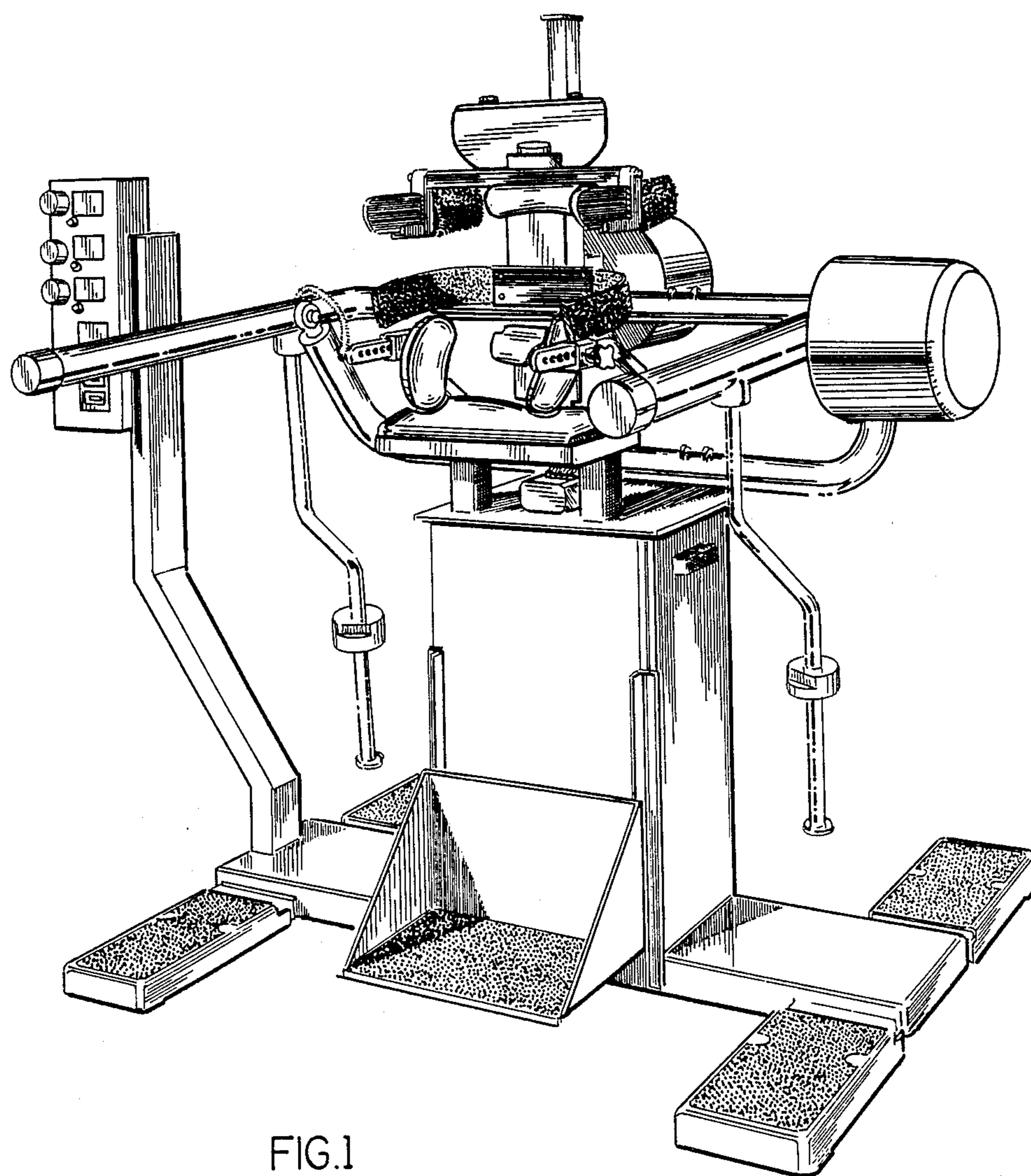


FIG. 1

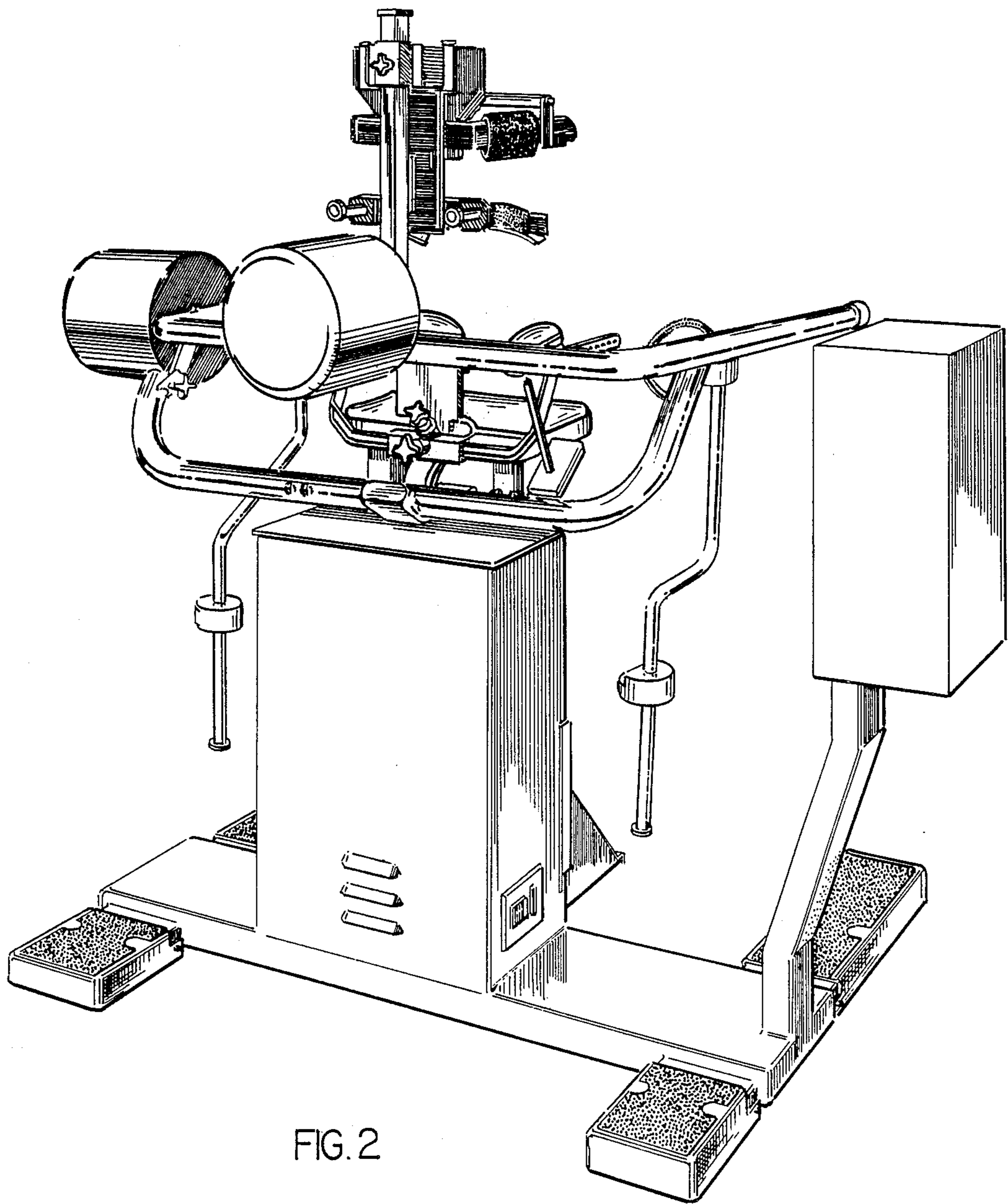


FIG. 2

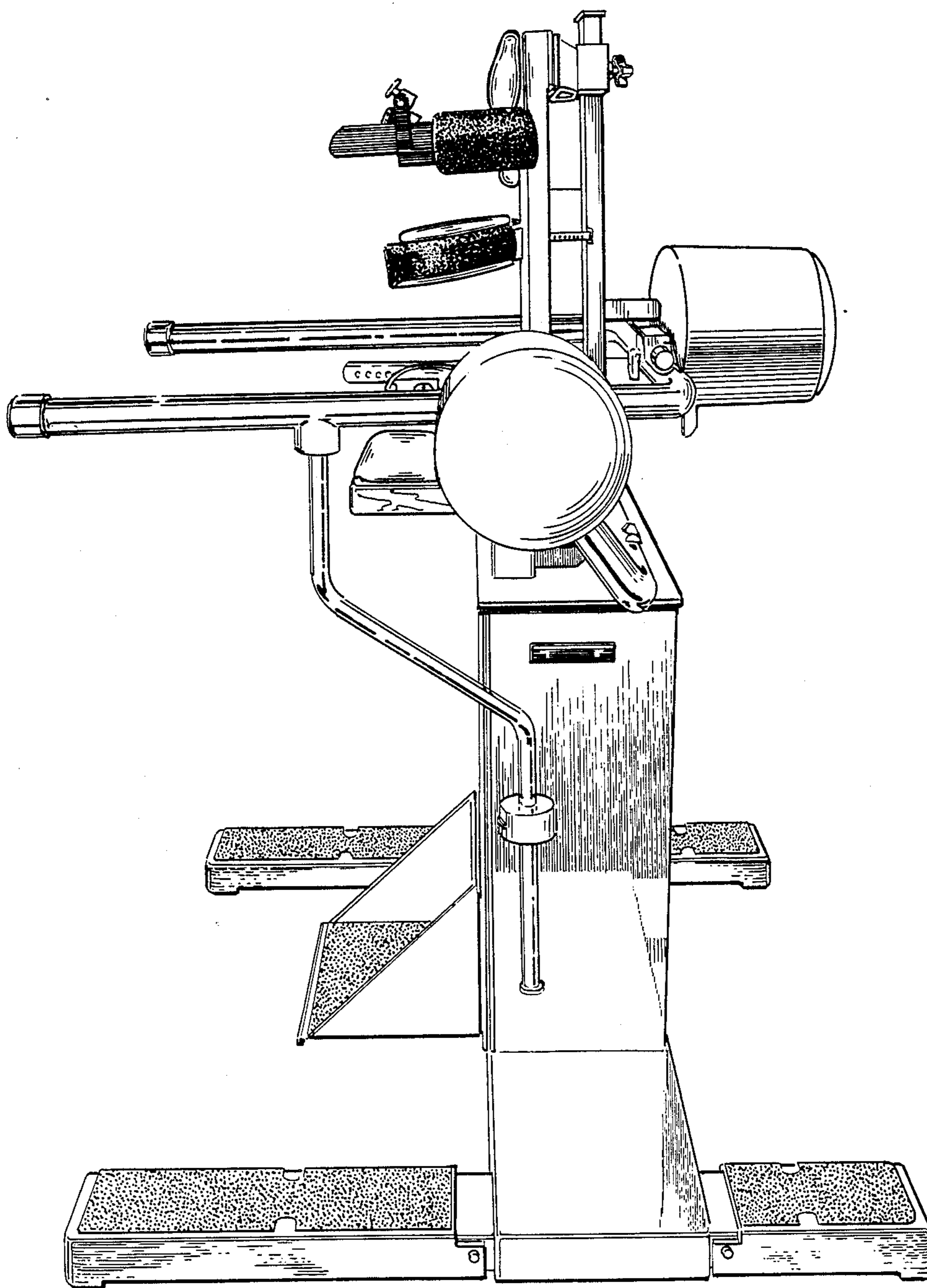


FIG. 3

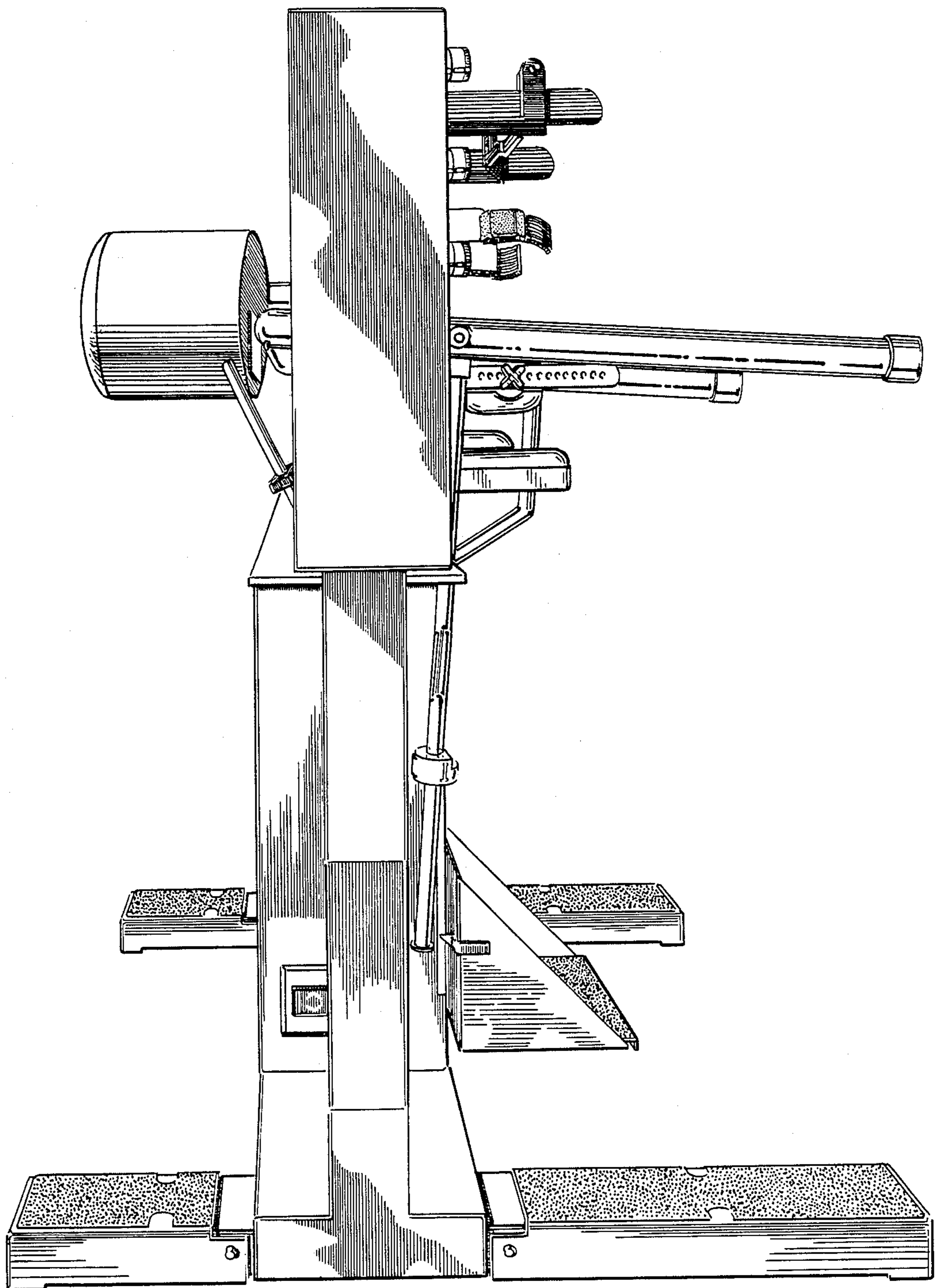


FIG. 4