

[54] **BICYCLE EXERCISE STAND**

[75] **Inventors:** Bruce A. Sargeant, Orange; Robert Reasons, Mission Viejo; Mark Hoffenberg, Laguna Niguel; Robert Walpert, Monterey Park; James Lindsay, Brea, all of Calif.

[73] **Assignee:** Frontline Technology, Inc., Irvine, Calif.

[**] **Term:** 14 Years

[21] **Appl. No.:** 25,801

[22] **Filed:** Mar. 13, 1987

[52] **U.S. Cl.** D21/194

[58] **Field of Search** 272/73, 73.1, 70.1, 272/70.2, 132; 79/379; D21/191-199

[56] **References Cited**

U.S. PATENT DOCUMENTS

- D. 273,882 5/1984 Bryne D21/191
- 4,262,899 4/1981 Alvarez 272/73.1
- 4,596,386 6/1986 Sackl 272/73

4,709,917 12/1987 Yang 272/132

FOREIGN PATENT DOCUMENTS

270256 6/1987 European Pat. Off. 272/73.1

OTHER PUBLICATIONS

American Bicyclist, 9-1986, p. 21, #802 Bike Exercisor Stand.

Primary Examiner—Charles A. Rademaker
Attorney, Agent, or Firm—Klein & Szekeres

[57] **CLAIM**

The ornamental design for a bicycle exercise stand, as shown and described.

DESCRIPTION

FIG. 1 is a side elevational view of a bicycle exercise stand showing our new design, the side opposite being a mirror image;

FIG. 2 is a rear elevational view thereof;

FIG. 3 is a top plan view thereof;

FIG. 4 is a bottom plan view thereof; and

FIG. 5 is a front elevational view thereof.

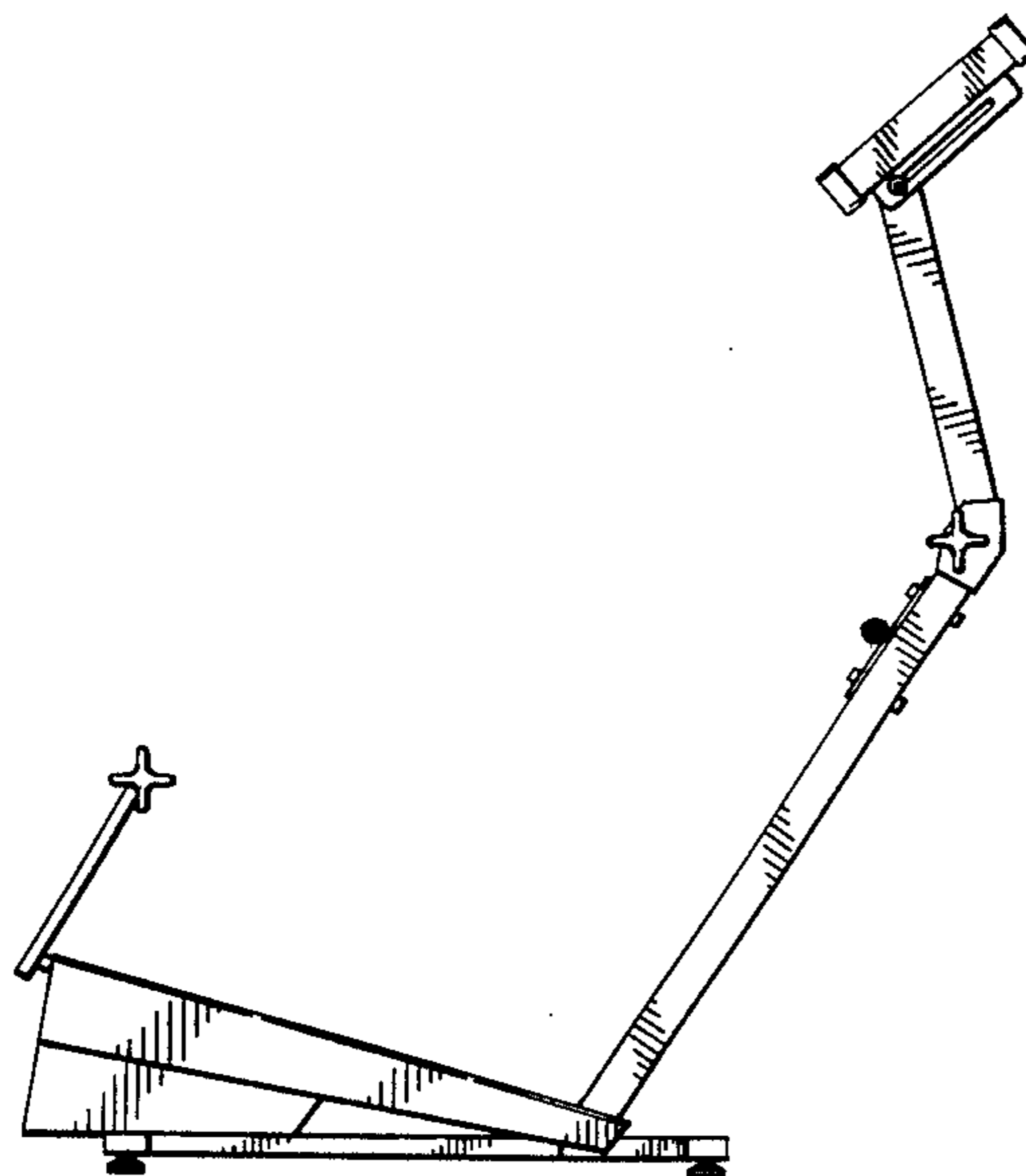


FIG. 1

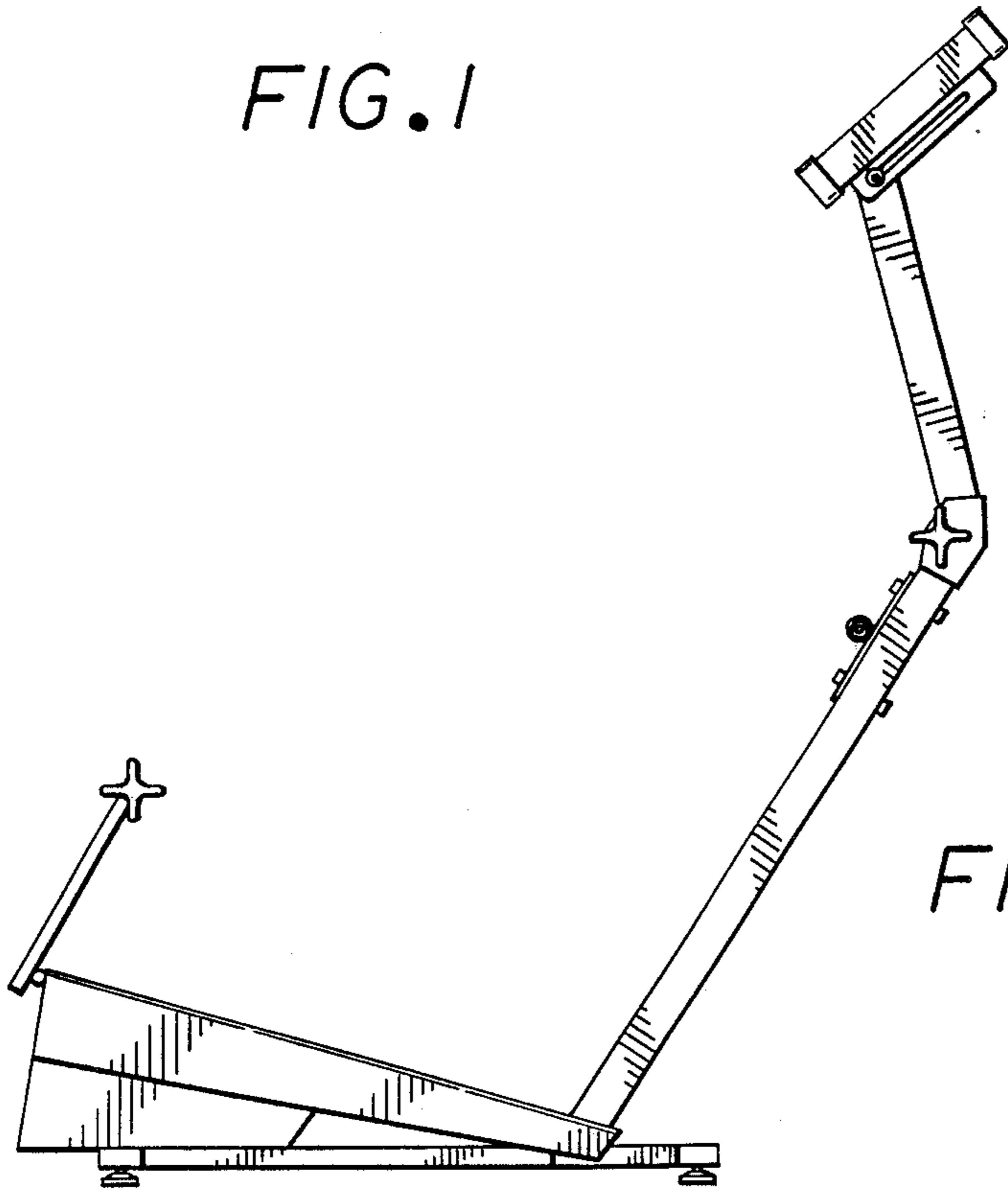


FIG. 2

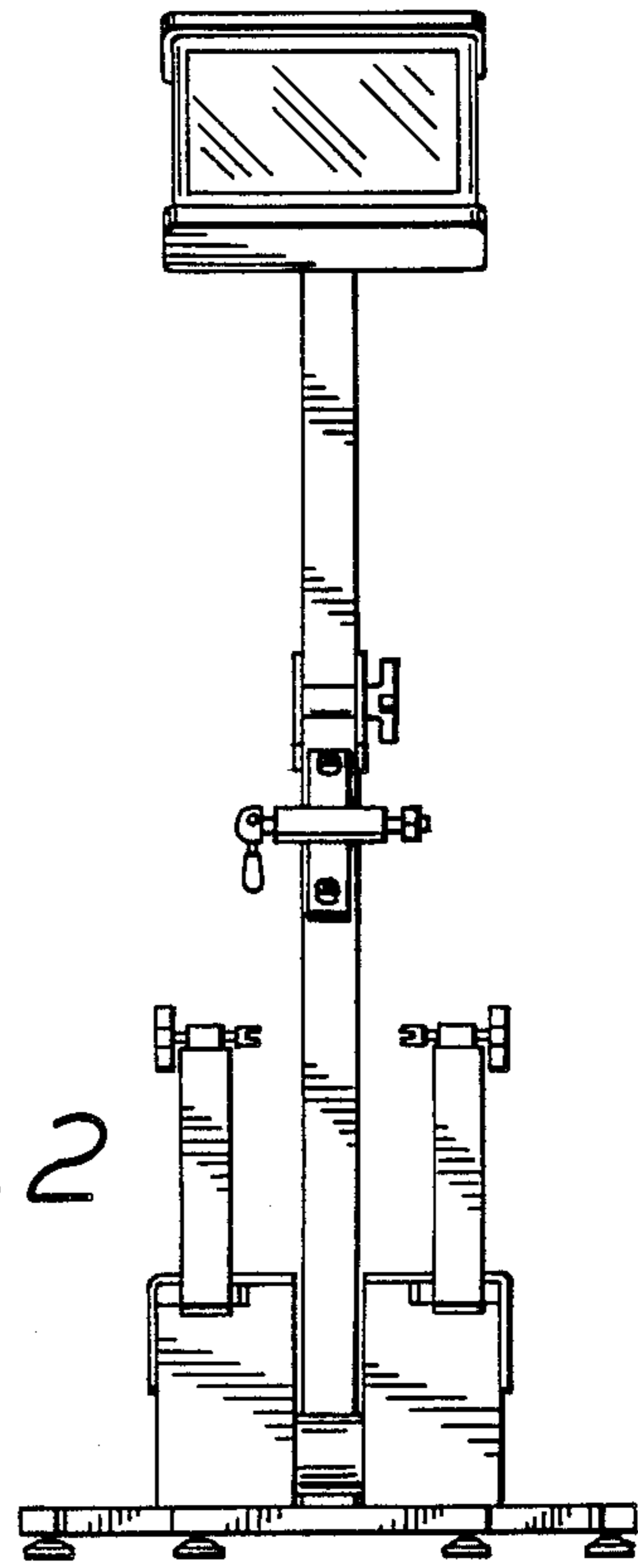


FIG. 3

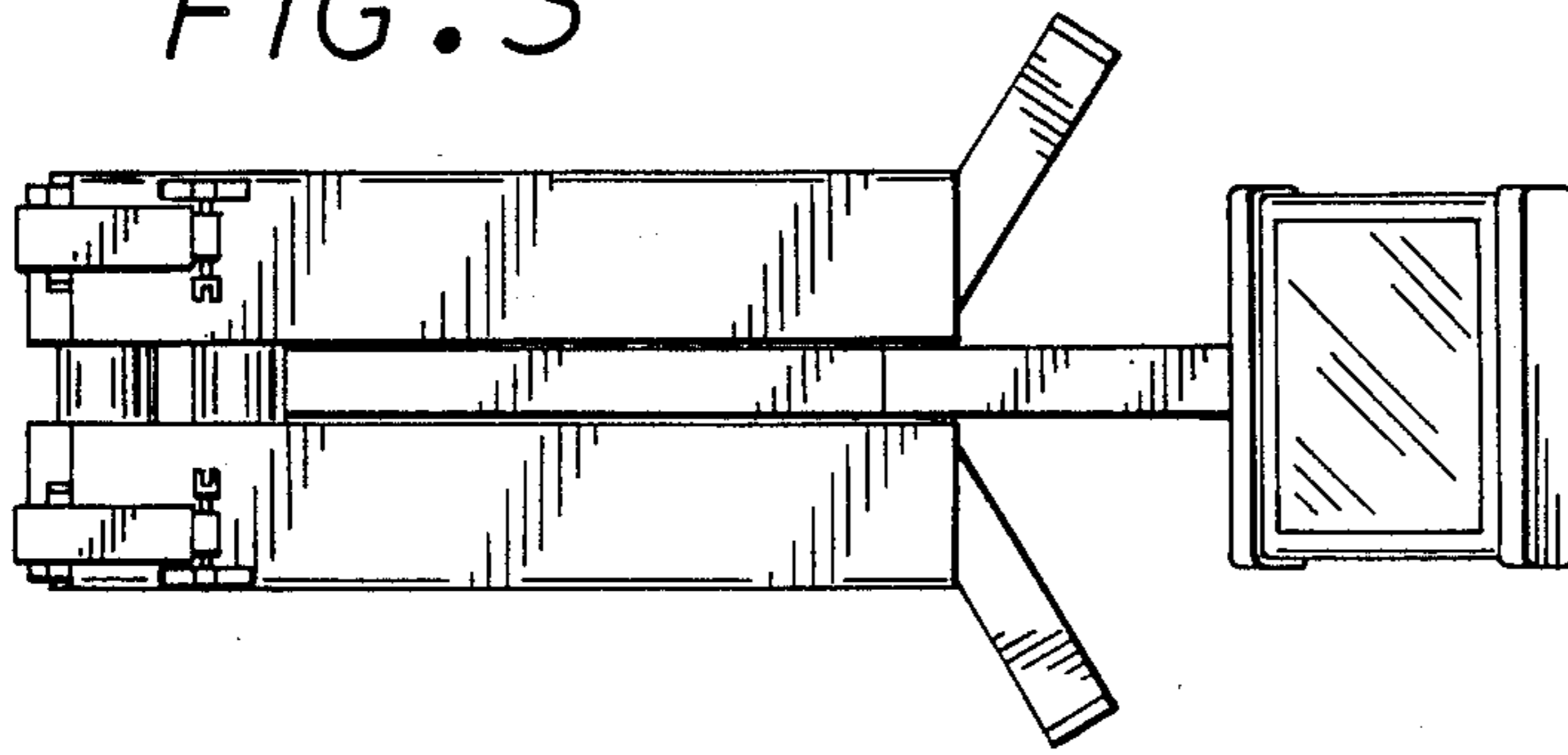


FIG. 5

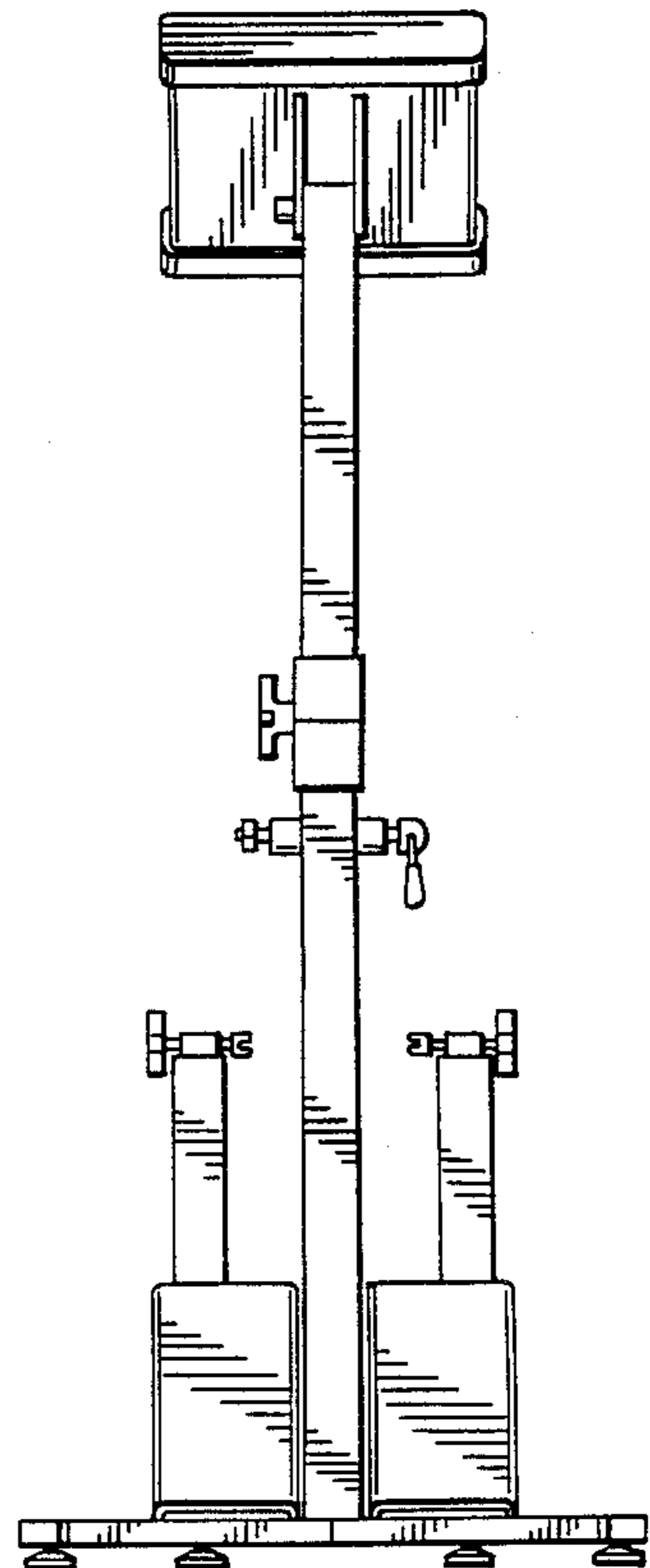


FIG. 4

