

[54] **PAPER FEEDER FOR PRINTER**

[75] **Inventors: Seiichi Omino, Tokyo; Jun Katayanagi, Musashino, both of Japan**

[73] **Assignee: Canon Kabushiki Kaisha, Tokyo, Japan**

[**] **Term: 14 Years**

[21] **Appl. No.: 867,294**

[22] **Filed: May 23, 1986**

[30] **Foreign Application Priority Data**

Nov. 28, 1985 [JP] Japan 60-49703

[52] **U.S. Cl. D18/22; D14/114; D18/12**

[58] **Field of Search D18/1, 12, 13, 22, 36-44; D14/110-114; 226/74; 271/2.1, 8.1-8.10; 355/308, 309; 400/624-629**

[56] **References Cited**

U.S. PATENT DOCUMENTS

D. 261,646	11/1981	Stirling	D14/114
D. 277,872	3/1985	Rünzi	D18/22
D. 287,509	12/1986	Nibley et al.	D18/22
4,371,276	2/1983	Mitrovich et al.	400/625
4,372,699	2/1983	Quinn	400/625
4,560,156	12/1985	DuBois	271/9
4,565,360	1/1986	Rünzi	400/625
4,589,646	5/1986	Ozawa et al.	271/10

4,619,388 10/1986 Ono et al. 400/624

FOREIGN PATENT DOCUMENTS

0142472 5/1985 European Pat. Off. 400/625
3512266 10/1985 Fed. Rep. of Germany 400/625

OTHER PUBLICATIONS

The Office, Nov. 1981, p. 259.
The Office, Nov. 1983, p. 172.

Primary Examiner—Nelson C. Holtje
Assistant Examiner—Caron D. Veynar
Attorney, Agent, or Firm—Fitzpatrick, Cella, Harper & Scinto

[57] **CLAIM**

The ornamental design for a paper feeder for printer, as shown and described.

DESCRIPTION

FIG. 1 is a front elevational view of a paper feeder for printer showing our new design;
FIG. 2 is a rear view thereof;
FIG. 3 is a top plan view thereof;
FIG. 4 is a bottom plan view thereof;
FIG. 5 is a left side elevational view thereof;
FIG. 6 is a right side elevational view thereof;
FIG. 7 is a right, front perspective view thereof;
FIG. 8 is a right, front perspective view thereof, the broken lines showing a printer being environmental only and forming no part of the claimed design.

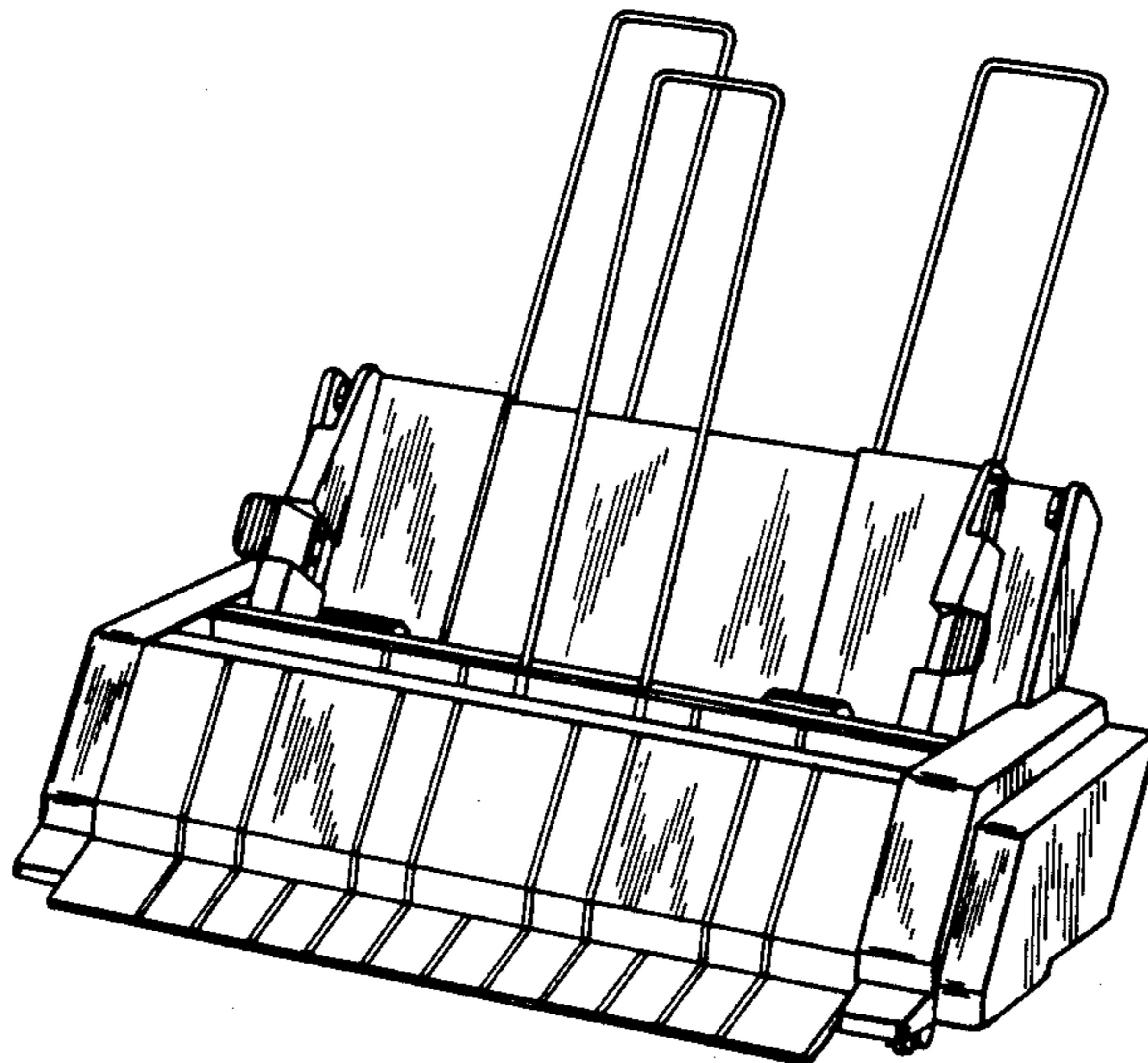


FIG. 1

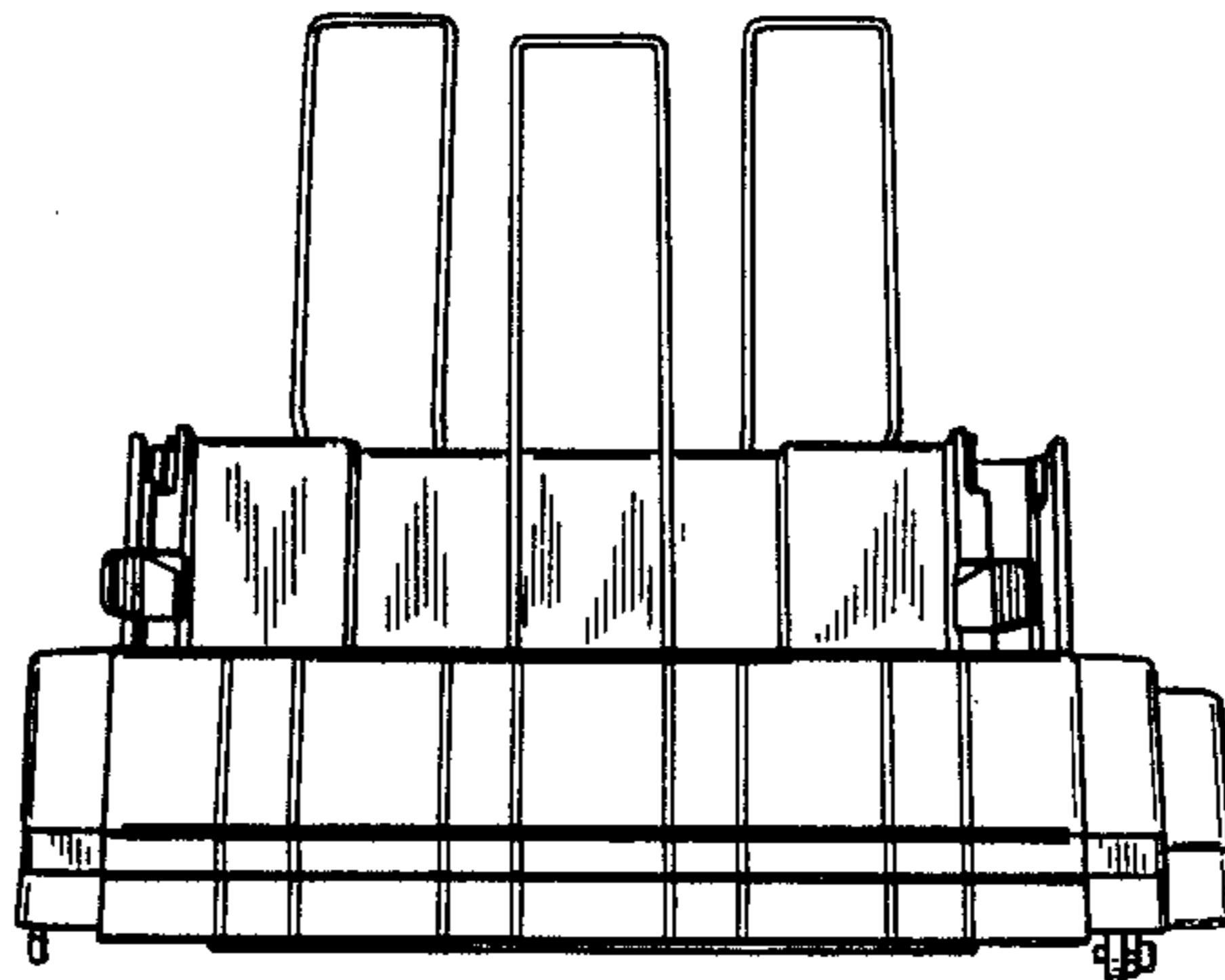


FIG. 2

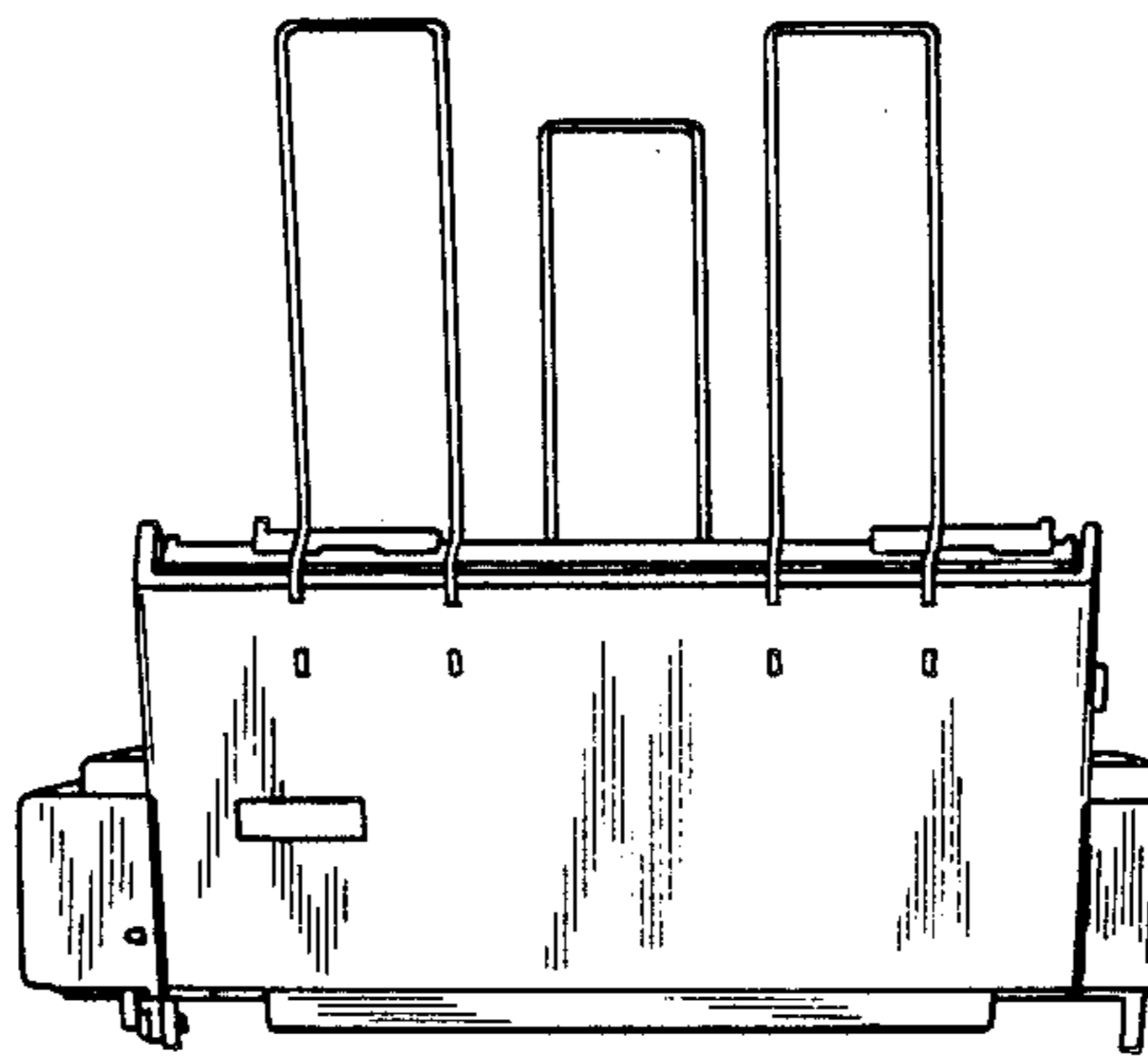


FIG. 3

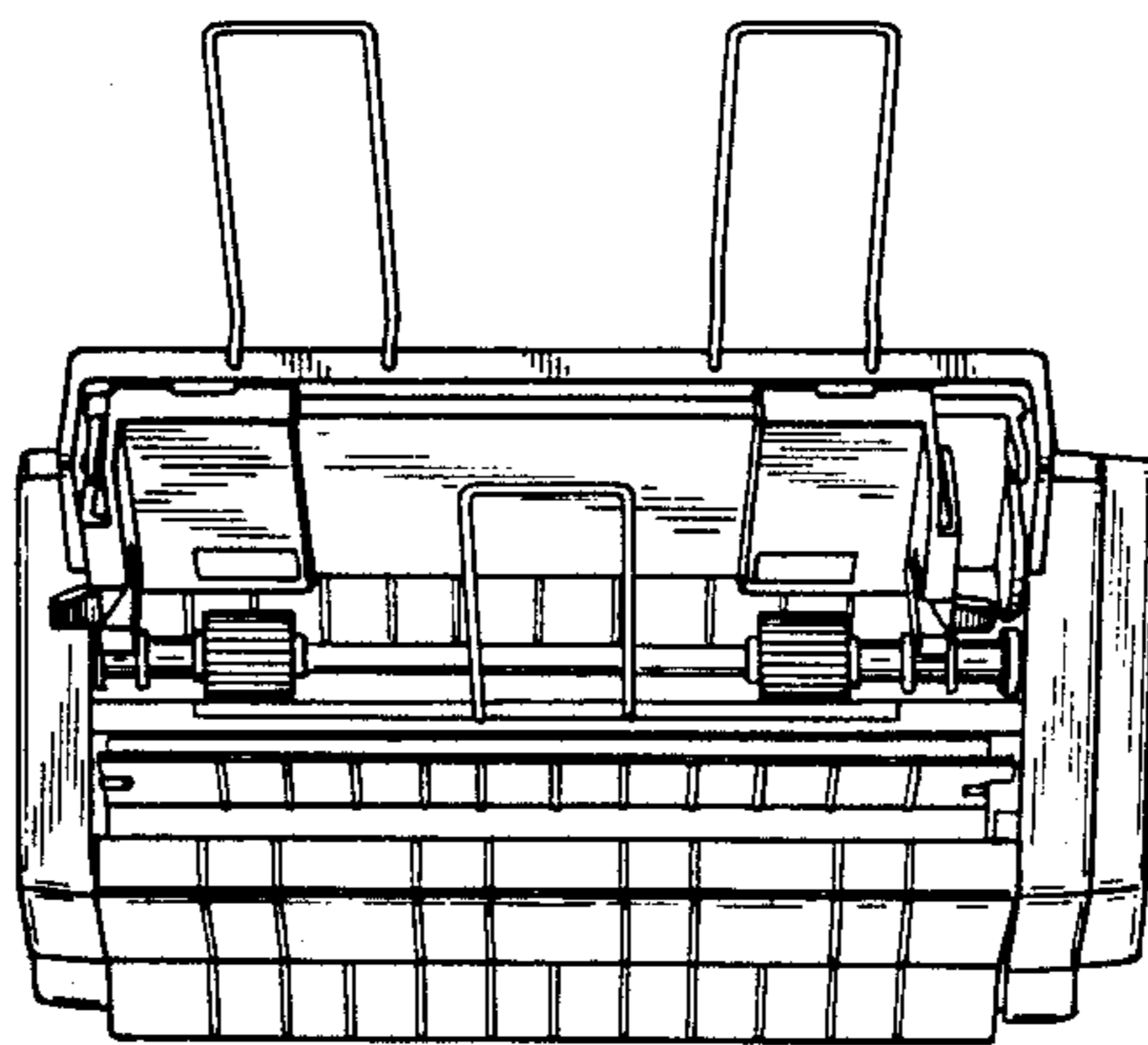


FIG. 4

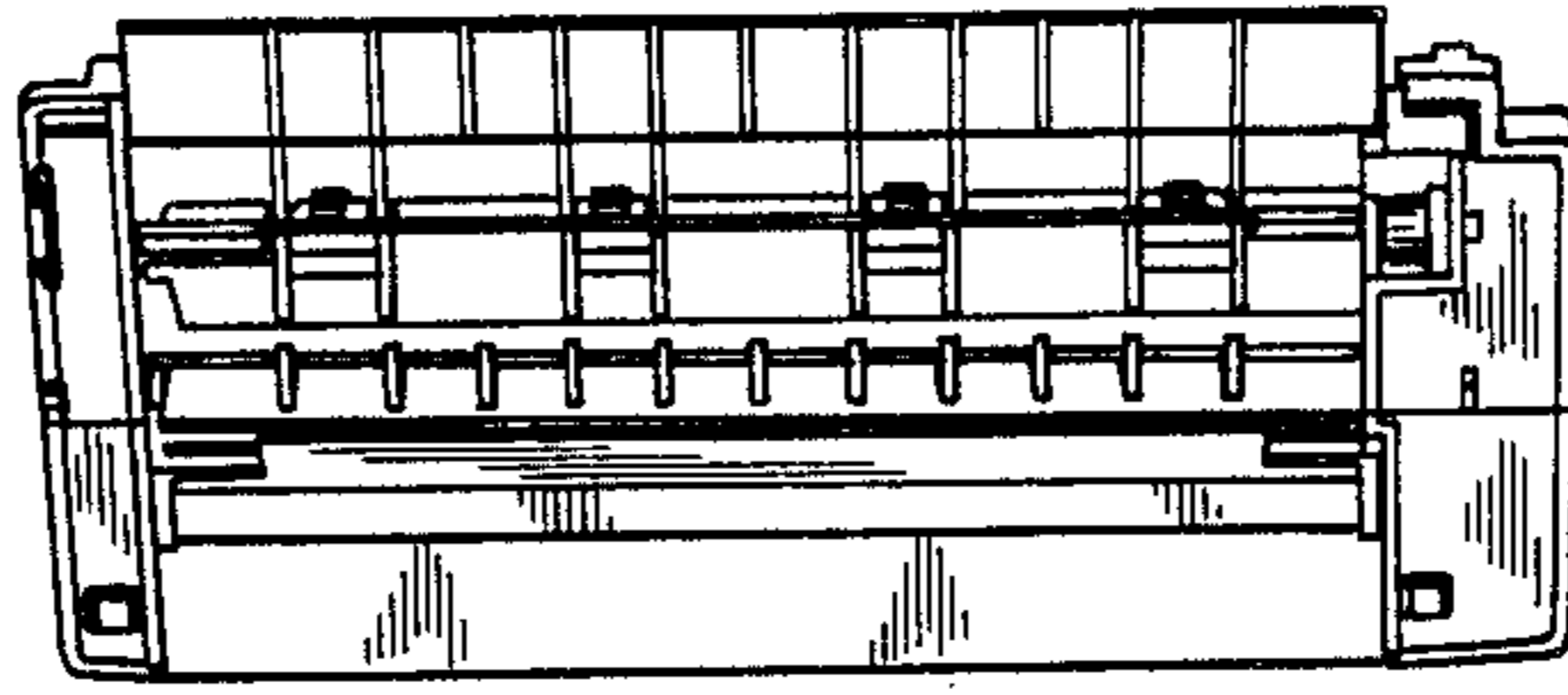


FIG. 5

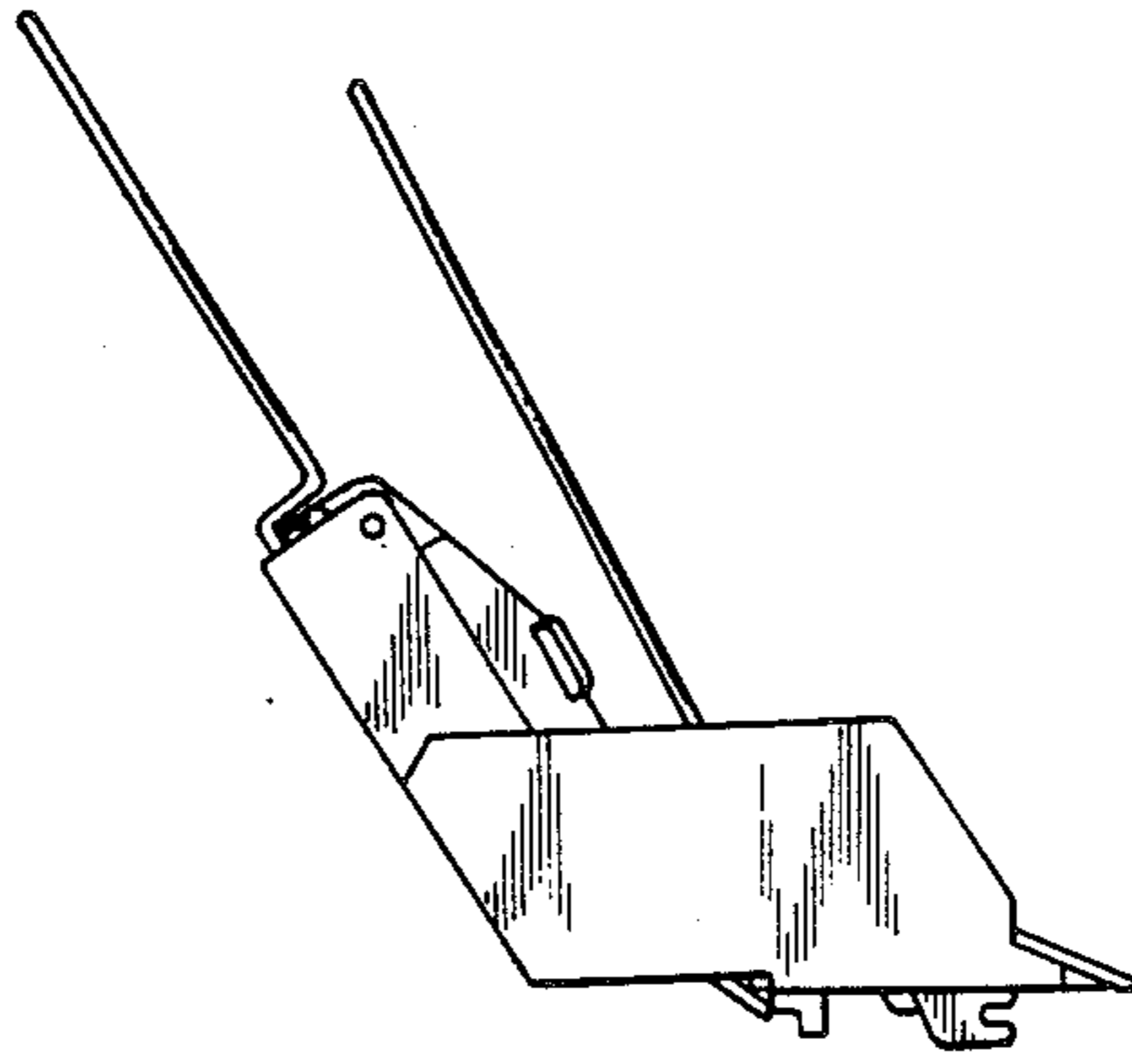


FIG. 6

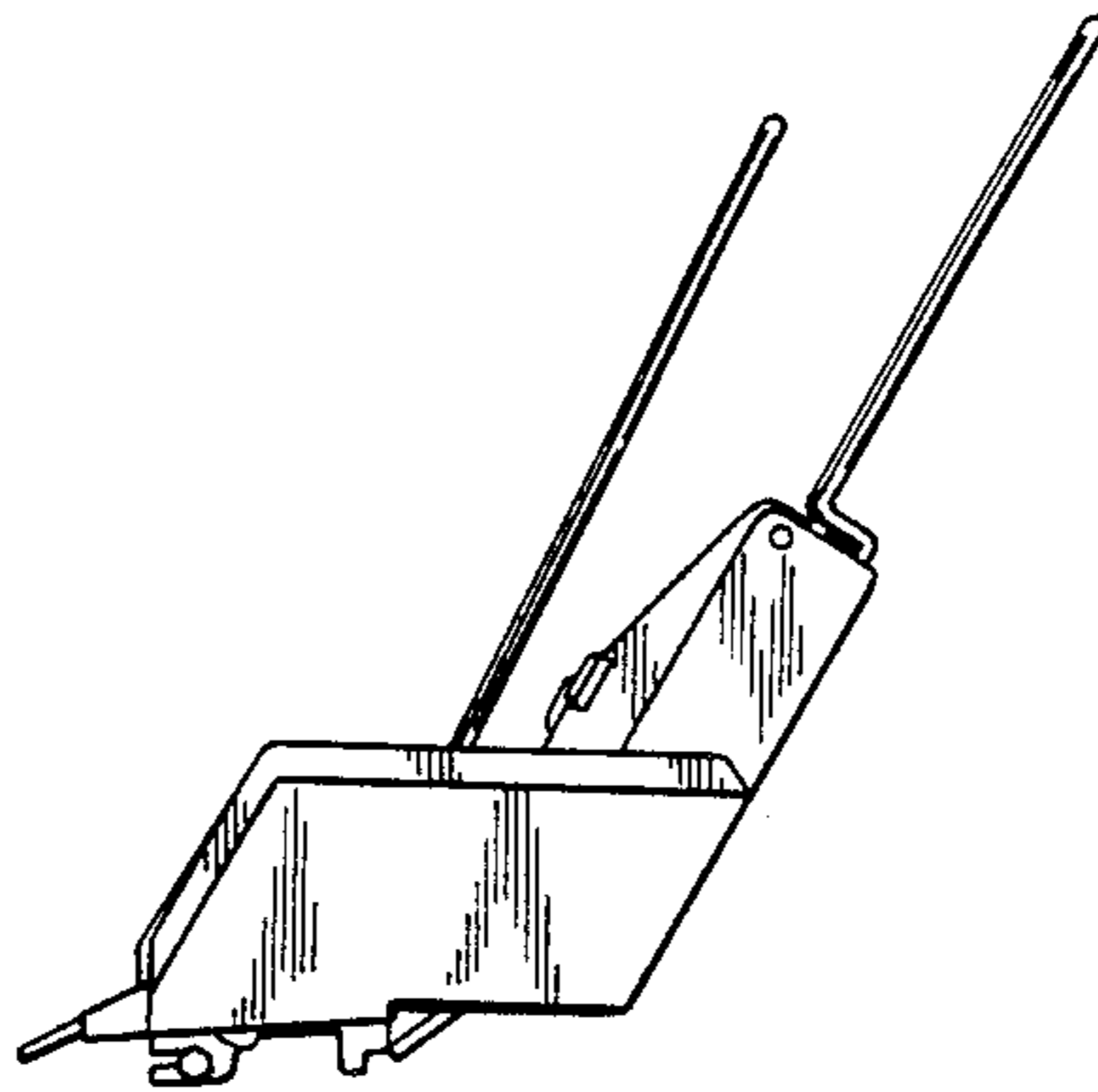


FIG. 7

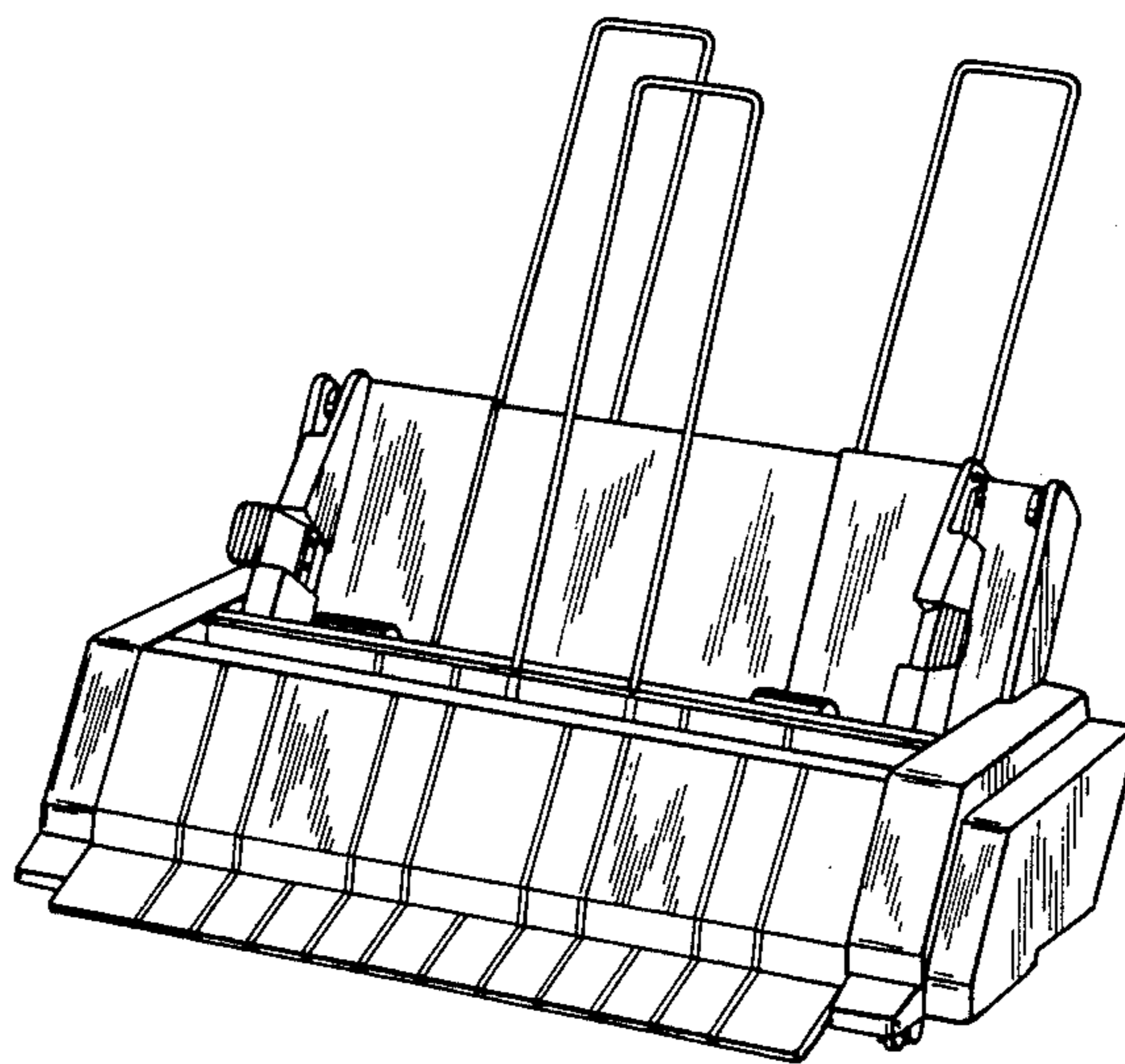


FIG. 8

