

[54] CARTRIDGE FOR INK RIBBON

[75] Inventor: Akira Tsukada, Osaka, Japan

[73] Assignee: Sharp Kabushiki Kaisha, Osaka, Japan

[**] Term: 14 Years

[21] Appl. No.: 948,299

[22] Filed: Dec. 31, 1986

[30] Foreign Application Priority Data

Jul. 1, 1986 [JP] Japan 61-25803

[52] U.S. Cl. D18/12

[58] Field of Search D18/12, 22, 23; 400/196, 196.1, 208

[56] References Cited

U.S. PATENT DOCUMENTS

- D. 244,965 7/1977 Trezise et al. D18/12
- D. 261,277 10/1981 Hashimoto et al. D18/22
- D. 275,404 9/1984 Hashimoto et al. D18/22
- D. 281,330 11/1985 Kando D18/12
- D. 286,058 10/1986 Yamamoto D18/22

- D. 290,715 7/1987 Omino et al. D18/12
- 3,918,569 11/1975 Parker D18/12 X
- 4,034,935 7/1977 Plaza et al. D18/12 X
- 4,175,719 11/1979 Speckman et al. D18/12 X
- 4,400,103 8/1983 Daughters 400/208
- 4,496,255 1/1985 Meintrup et al. 400/208

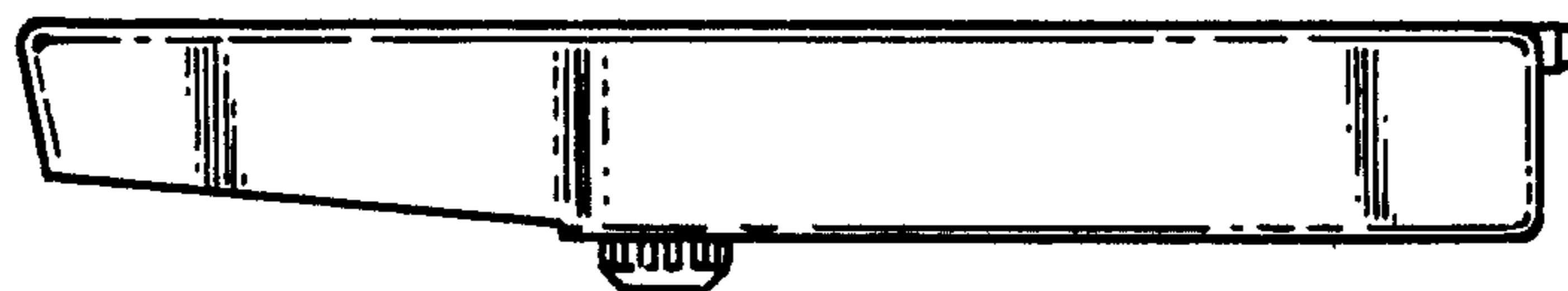
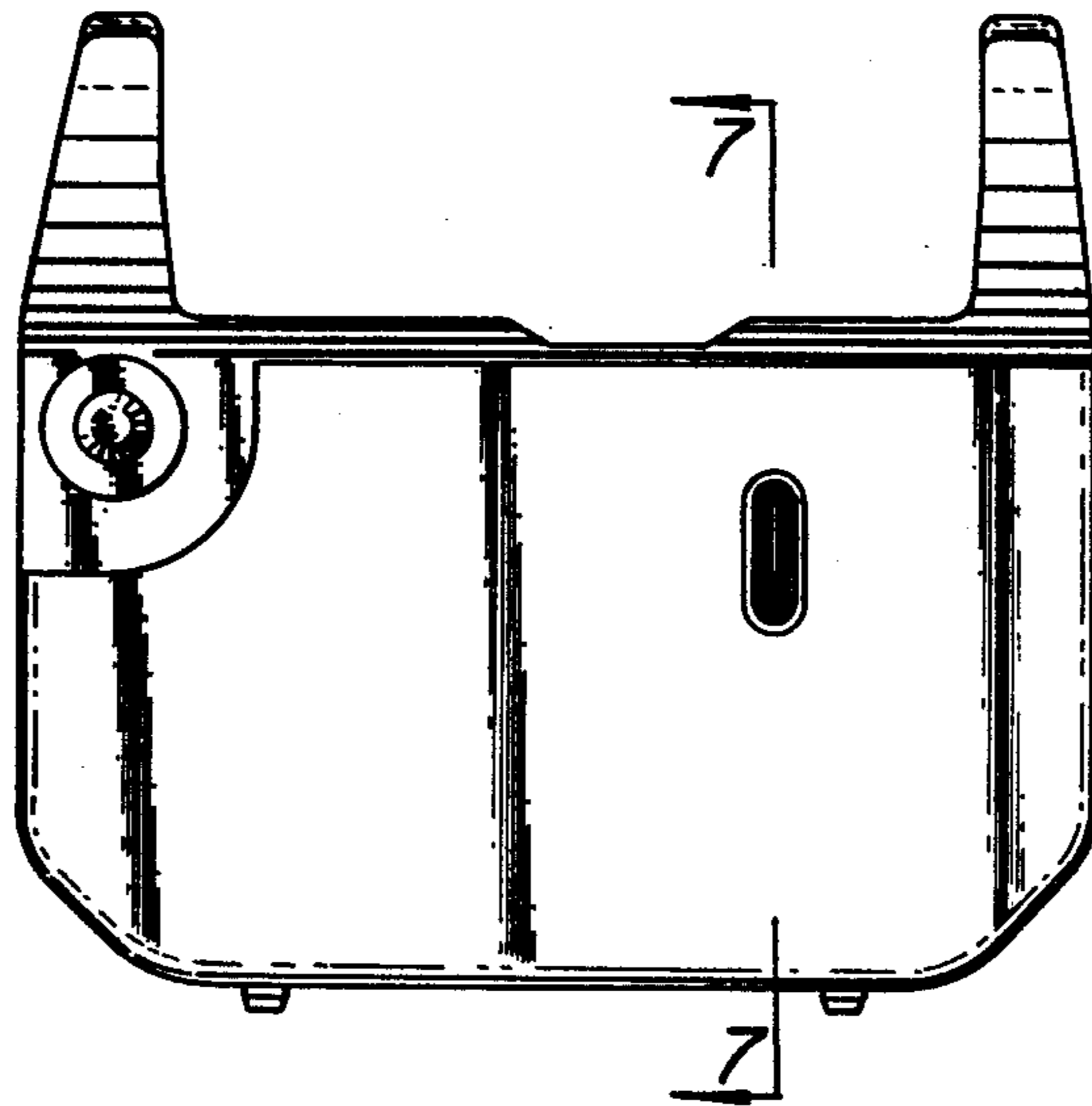
Primary Examiner—James R. Lergen
Attorney, Agent, or Firm—Flehr, Hohbach, Test, Albritton & Herbert

[57] CLAIM

The ornamental design for a cartridge for ink ribbon, as shown and described.

DESCRIPTION

FIG. 1 is a top plan view of the cartridge for ink ribbon showing my new design;
FIG. 2 is a bottom plan view thereof;
FIG. 3 is a front elevational view thereof;
FIG. 4 is a rear elevational view thereof;
FIG. 5 is a right side elevational view thereof;
FIG. 6 is a left side elevational view thereof; and
FIG. 7 is a sectional view thereof taken along the line 7—7 of FIG. 1.



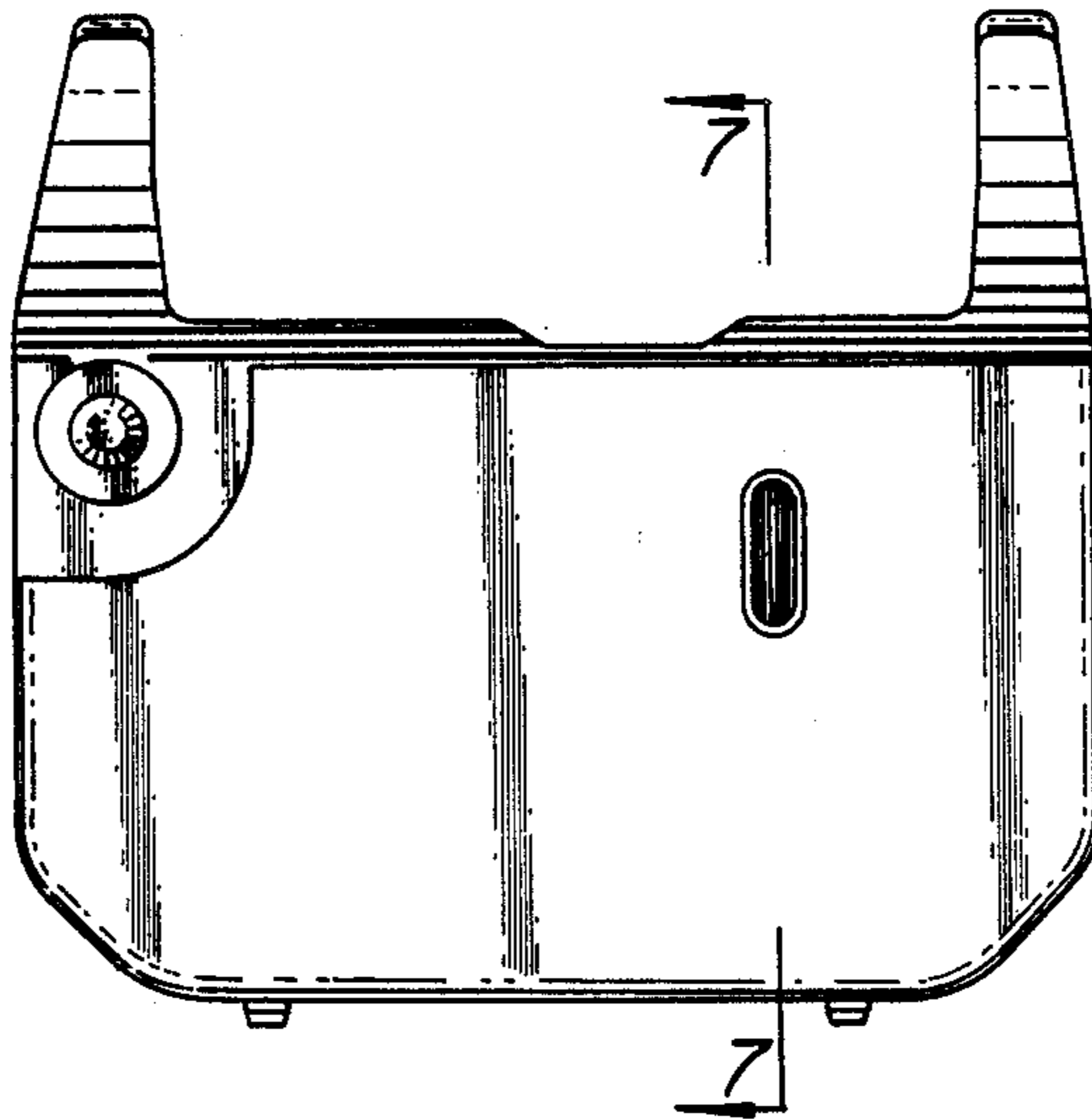


FIG. 1

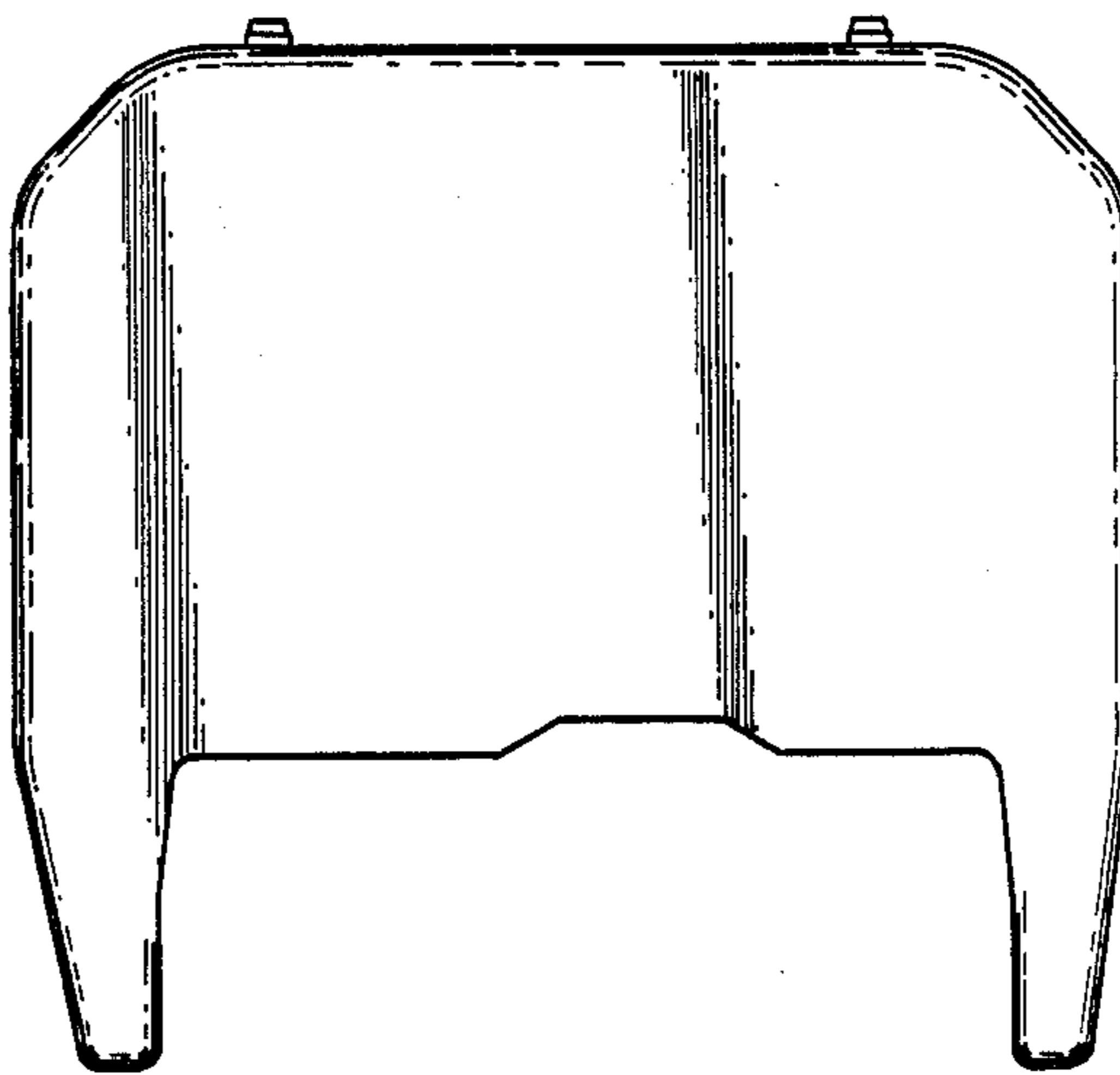


FIG. 2

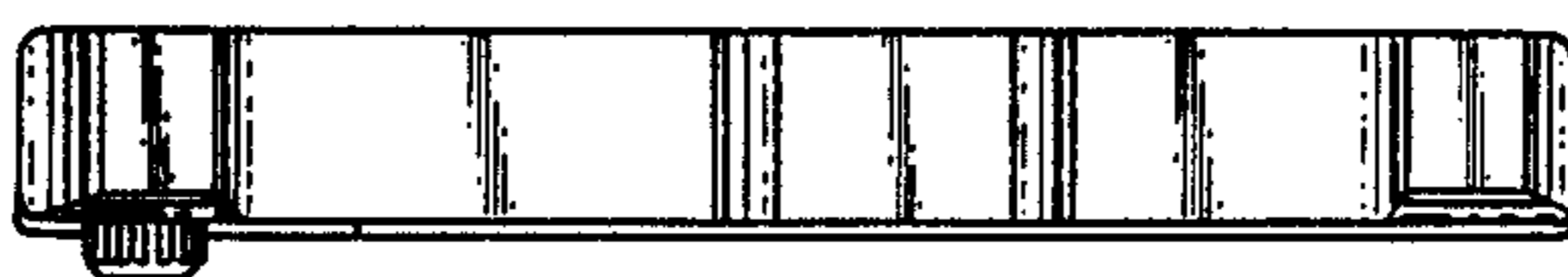


FIG. 3



FIG. 4



FIG. 5



FIG. 6

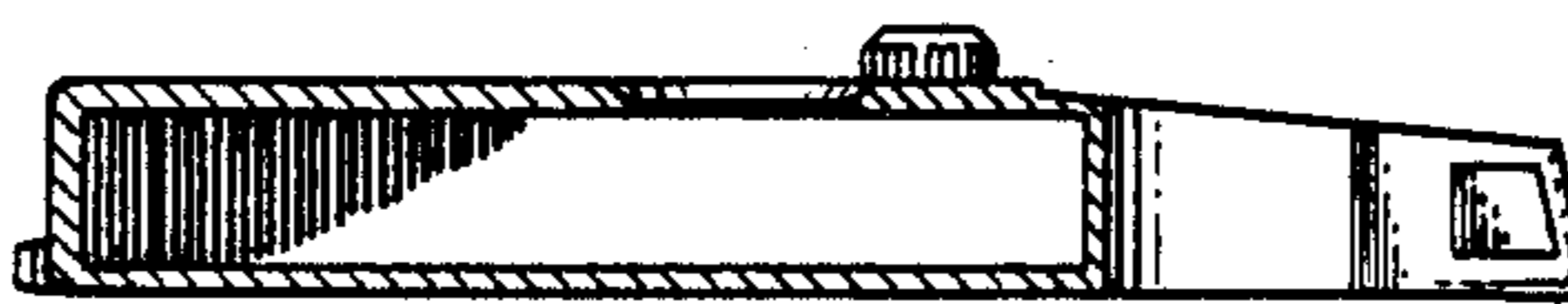


FIG. 7