

[54] CARBURETOR FLOAT BOWL ADAPTER FOR USE IN OILFIELD PUMPING EQUIPMENT

3,689,236 9/1972 Mannino et al. .... D15/5 X

[75] Inventors: Thomas L. Davis, Tulsa; Roy A. Harper, Broken Arrow, both of Okla.

Primary Examiner—Wallace R. Burke  
Assistant Examiner—Brian N. Vinson  
Attorney, Agent, or Firm—Edgar A. Zarins; Malcolm L. Sutherland

[73] Assignee: Arrow Specialty Company, Tulsa, Okla.

[57] CLAIM

[\*\*] Term: 14 Years

The ornamental design for a carburetor float bowl adapter for use in oilfield pumping equipment, as shown and described.

[21] Appl. No.: 30,603

DESCRIPTION

[22] Filed: Mar. 27, 1987

[52] U.S. Cl. .... D15/5

[58] Field of Search ..... D15/5-6;  
123/26; 261/DIG. 1, 22, 28, 16, 69.1, 41-44

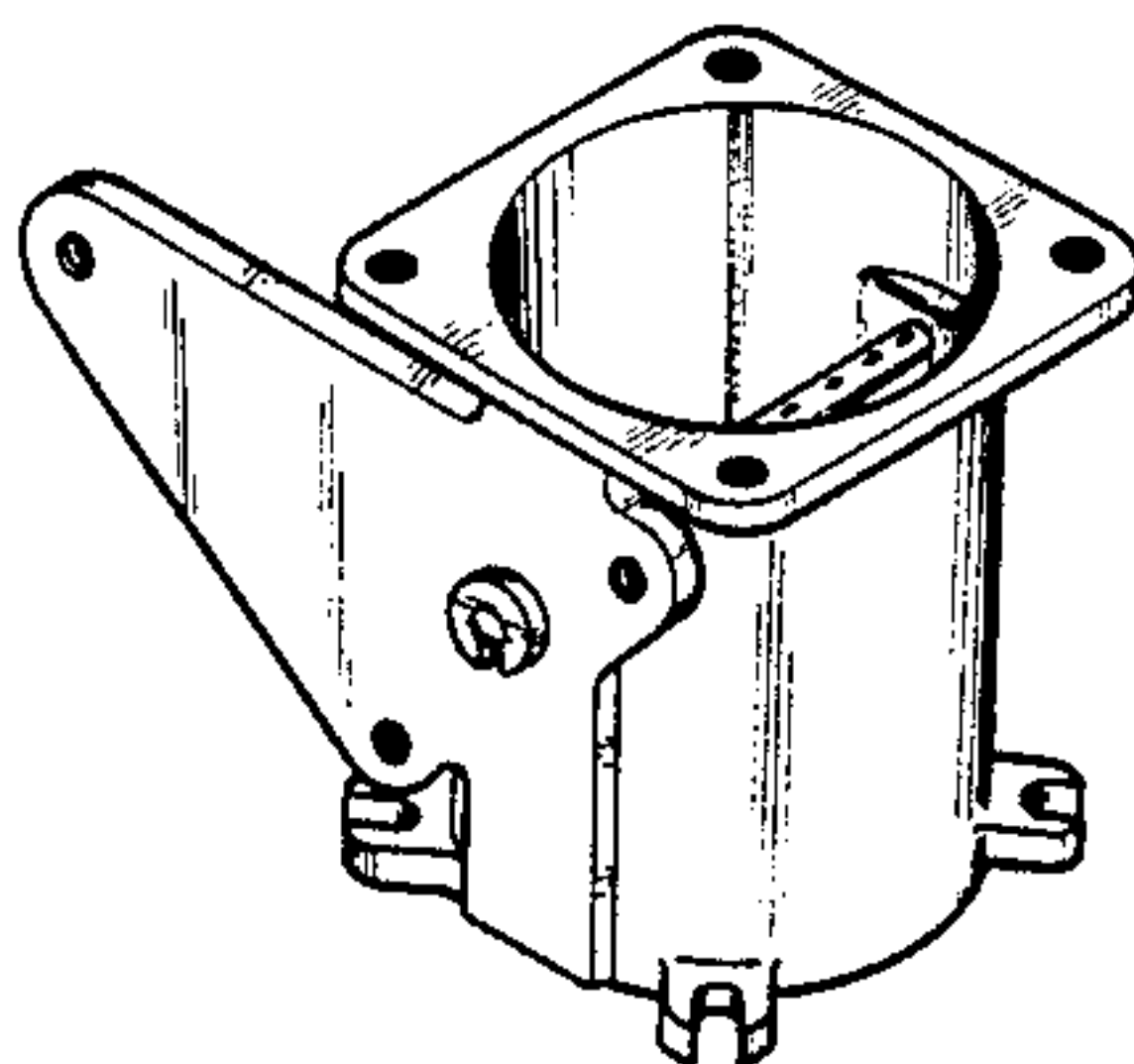
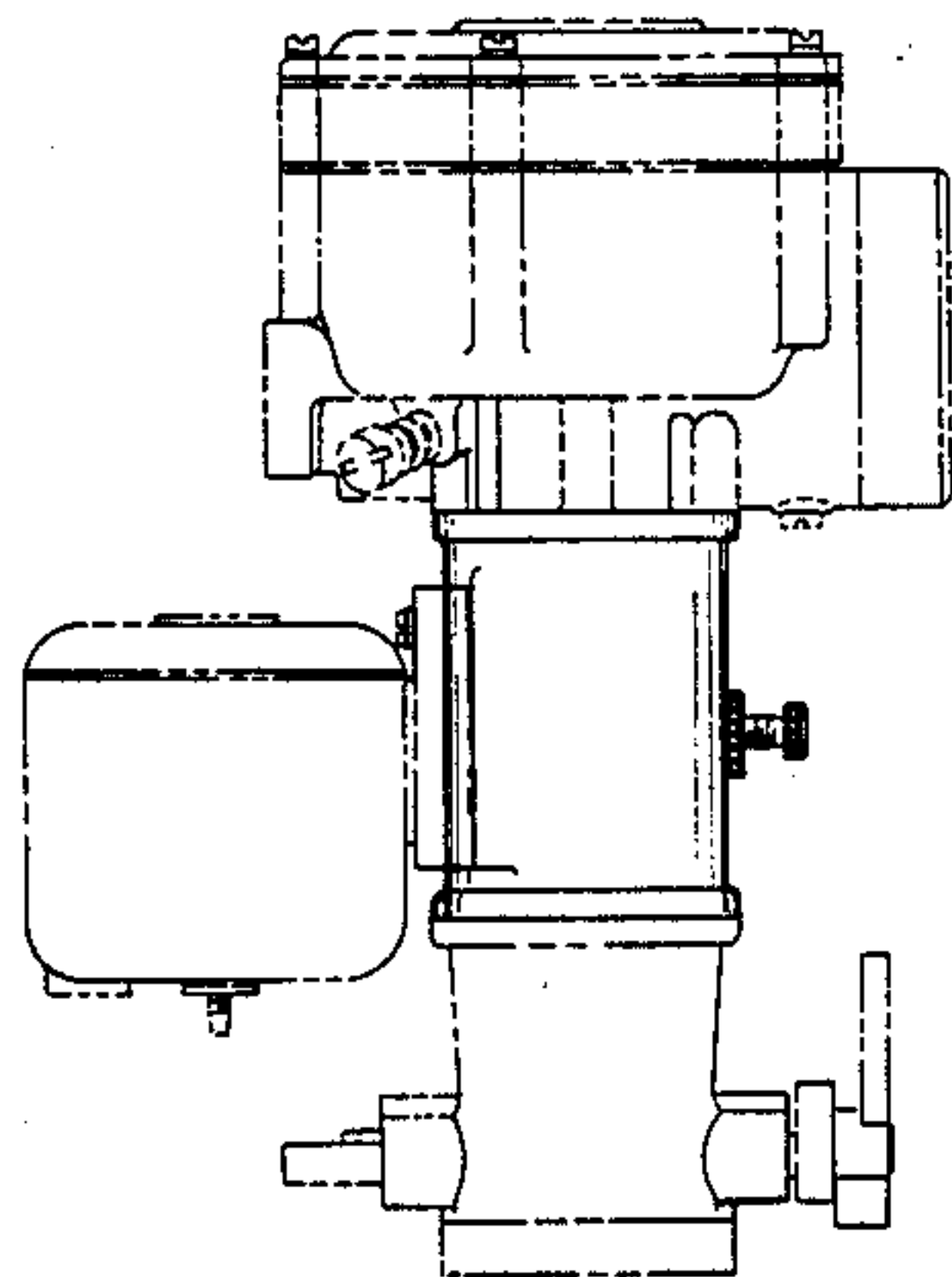
FIG. 1 is a front elevational view of a carburetor float bowl adapter for use in oilfield pumping equipment showing my new design, the broken-line showing of engine elements being for illustrative purposes only and forming no part of the claimed design;

[56] References Cited

U.S. PATENT DOCUMENTS

- D. 218,493 4/1970 Garner ..... D15/6
- D. 293,581 1/1988 Brown ..... D15/5 X
- 2,841,372 7/1958 Phillips ..... 261/41
- 2,841,374 7/1958 Raynor ..... 261/44

FIG. 2 is an enlarged perspective view thereof;  
FIG. 3 is an enlarged top plan view thereof;  
FIG. 4 is an enlarged left side elevational view thereof;  
FIG. 5 is an enlarged bottom plan view thereof;  
FIG. 6 is an enlarged right side elevational view thereof;  
FIG. 7 is an enlarged rear elevational view thereof, with the knob portion shown omitted.



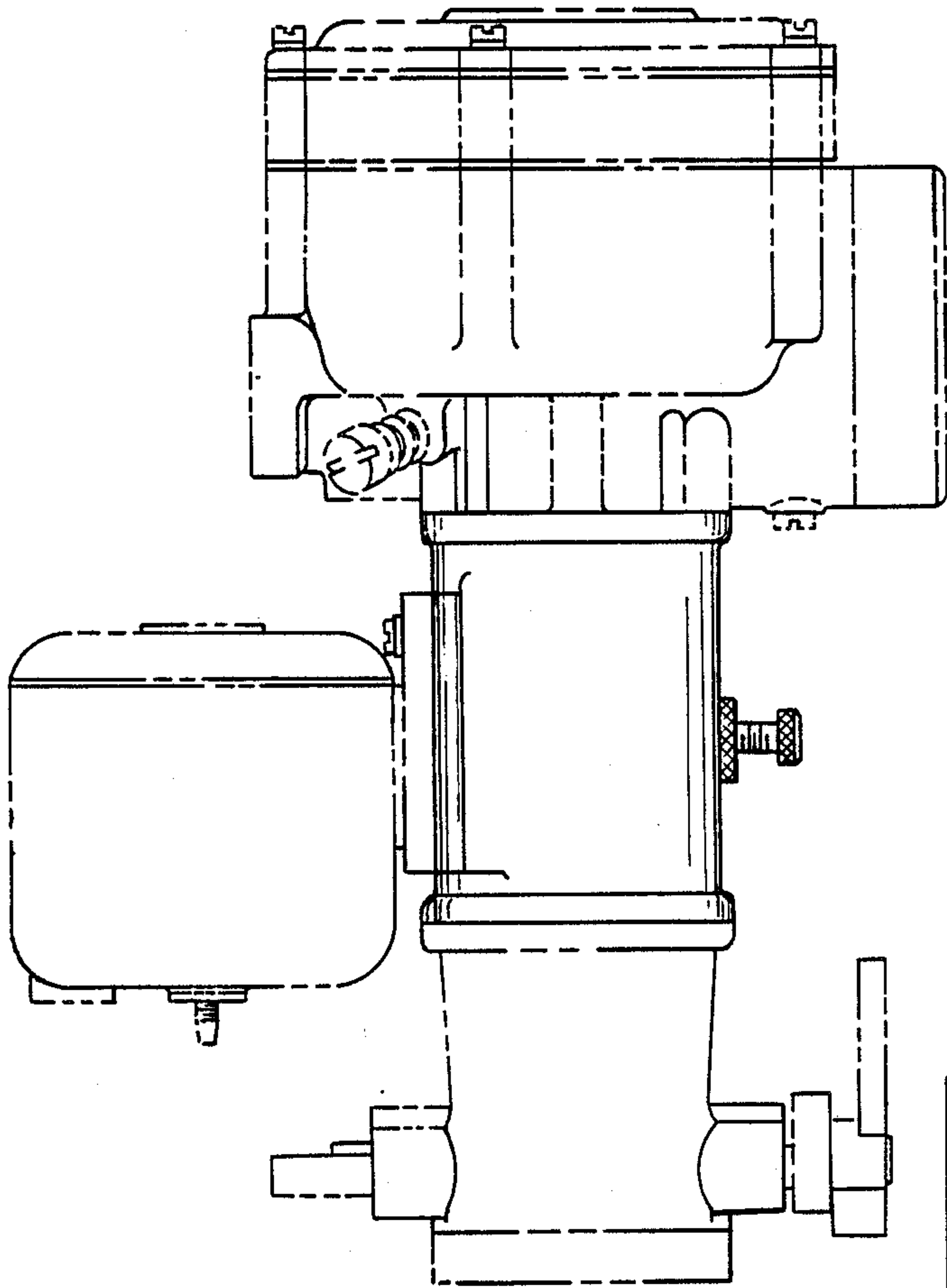


Fig-1

Fig-2

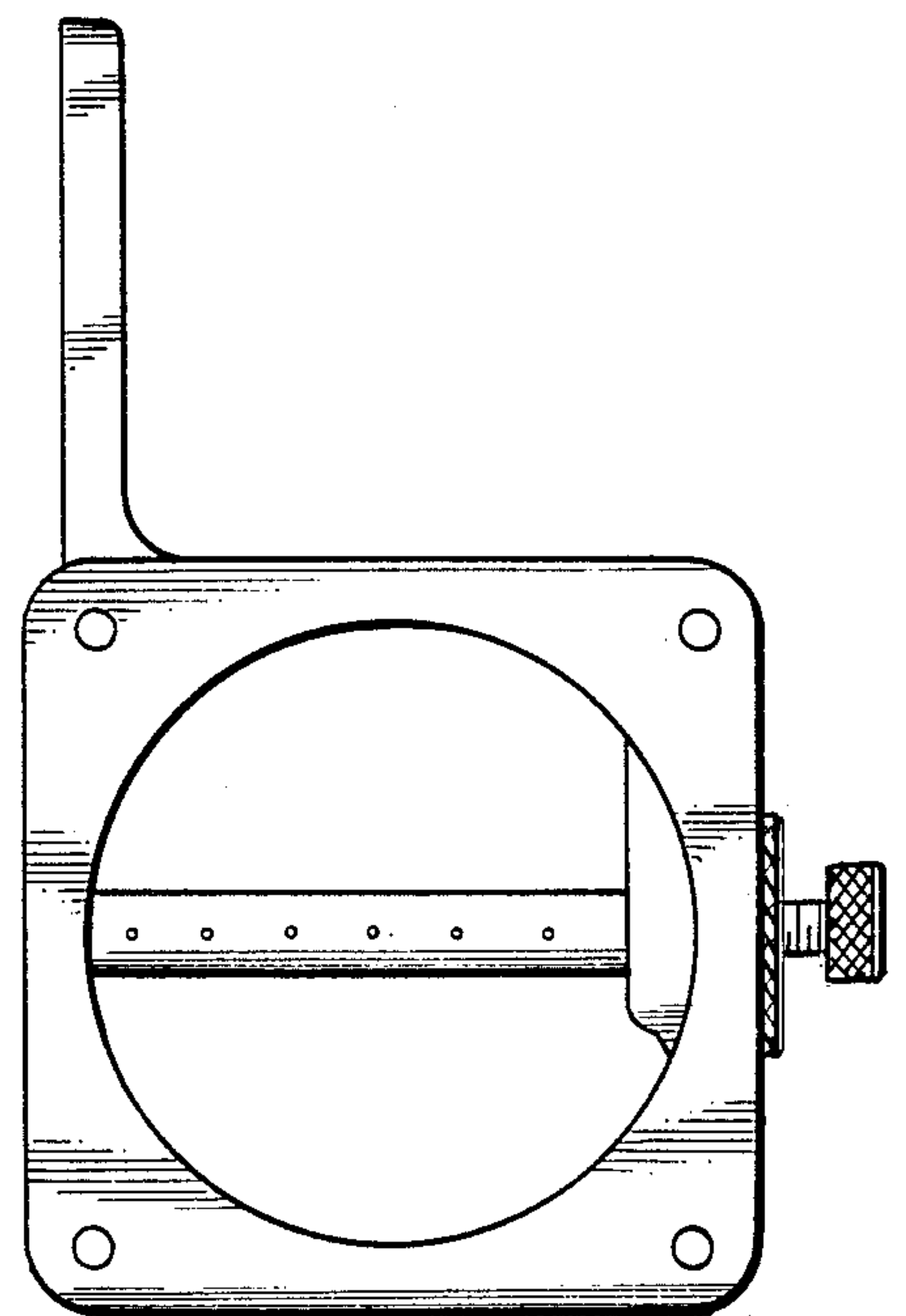
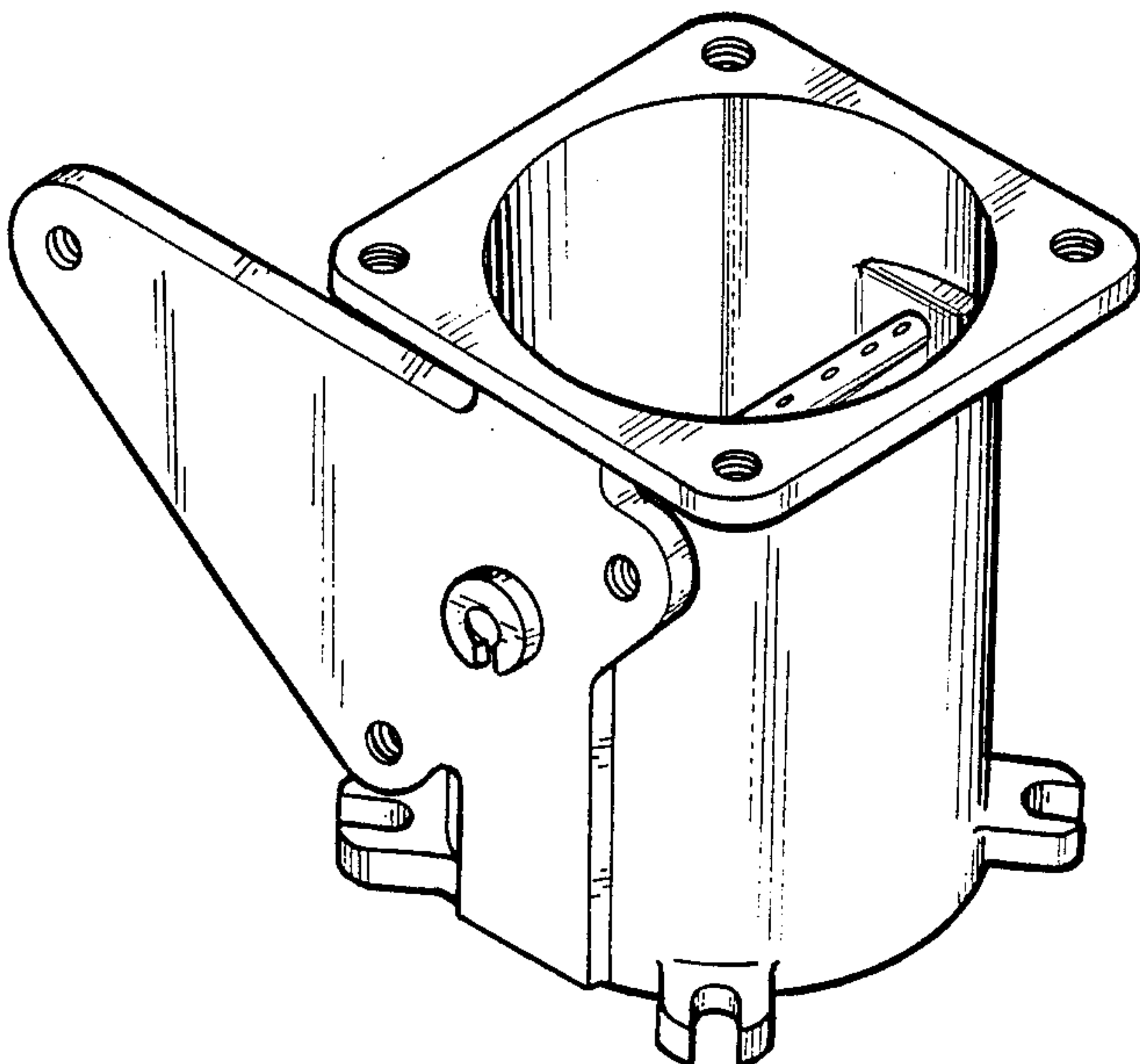


Fig-3

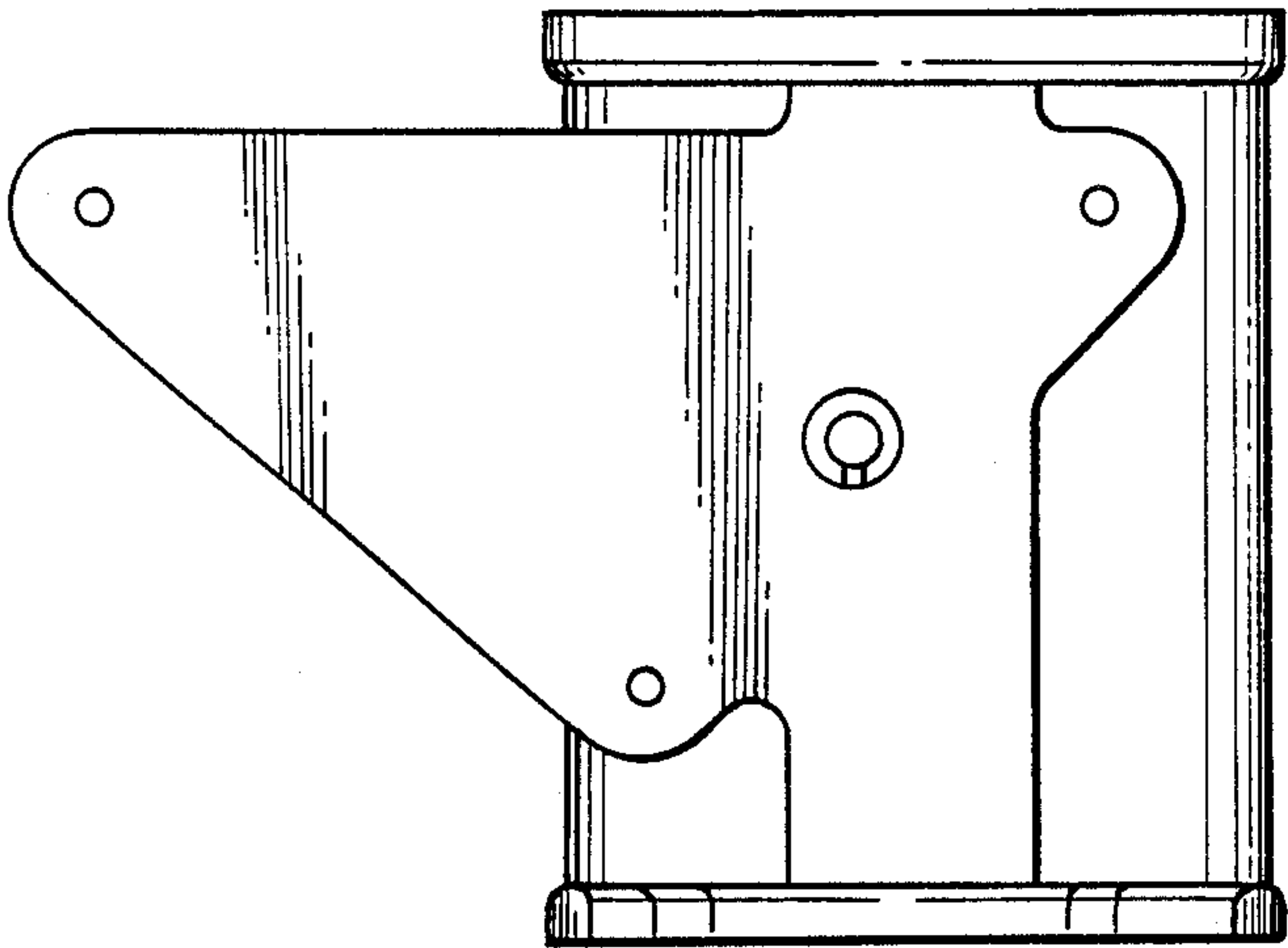


Fig-4

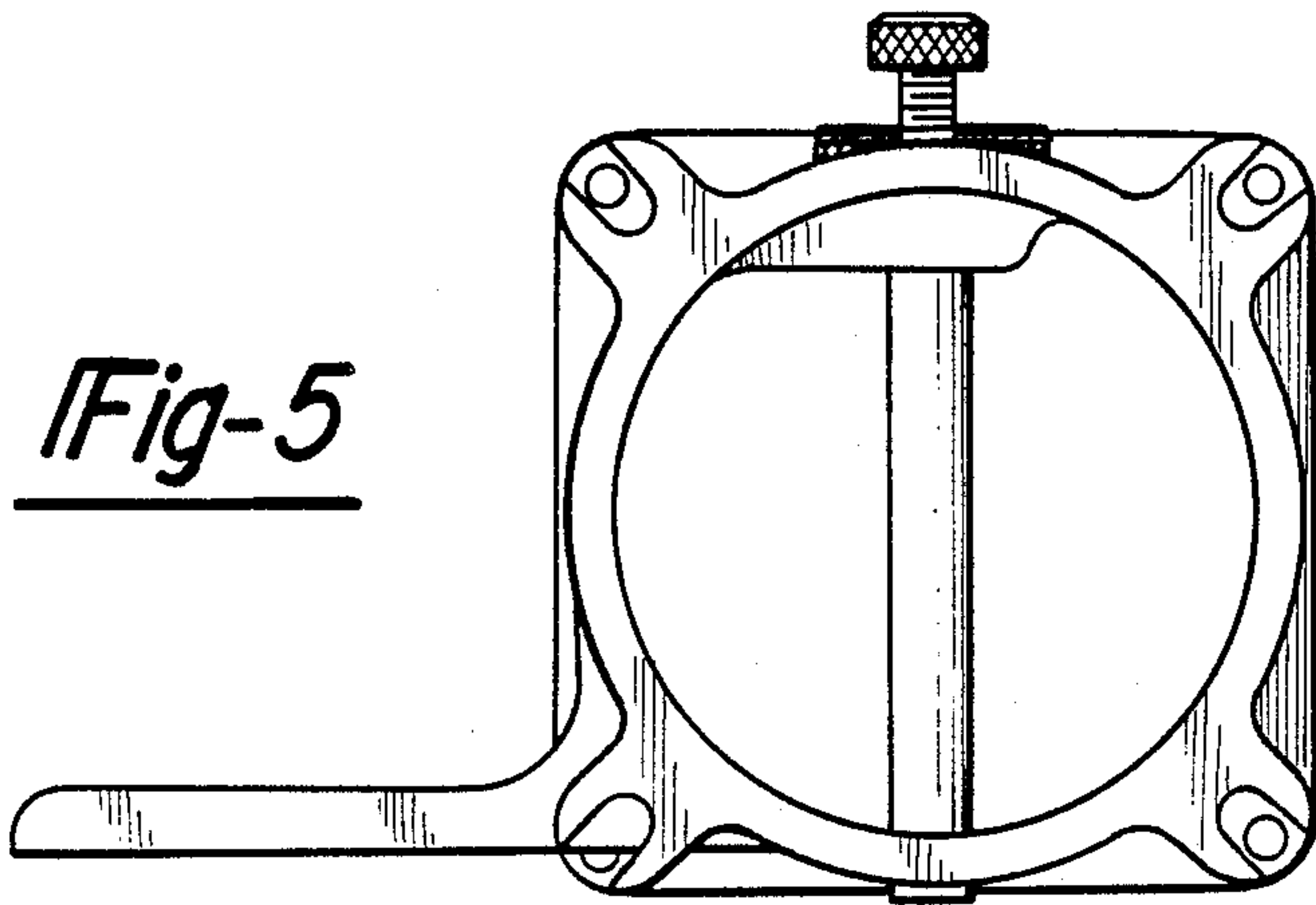


Fig-5

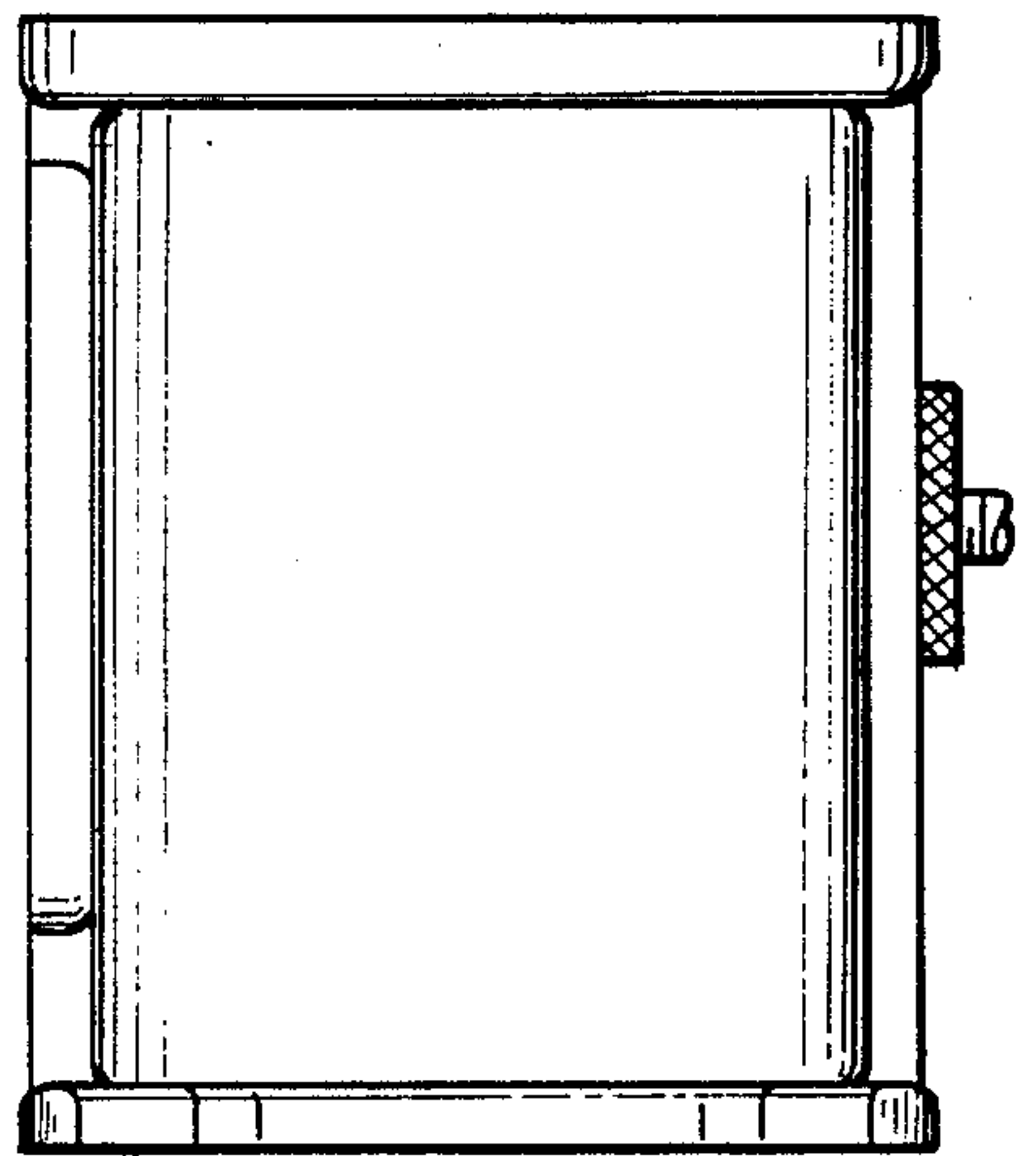


Fig-7

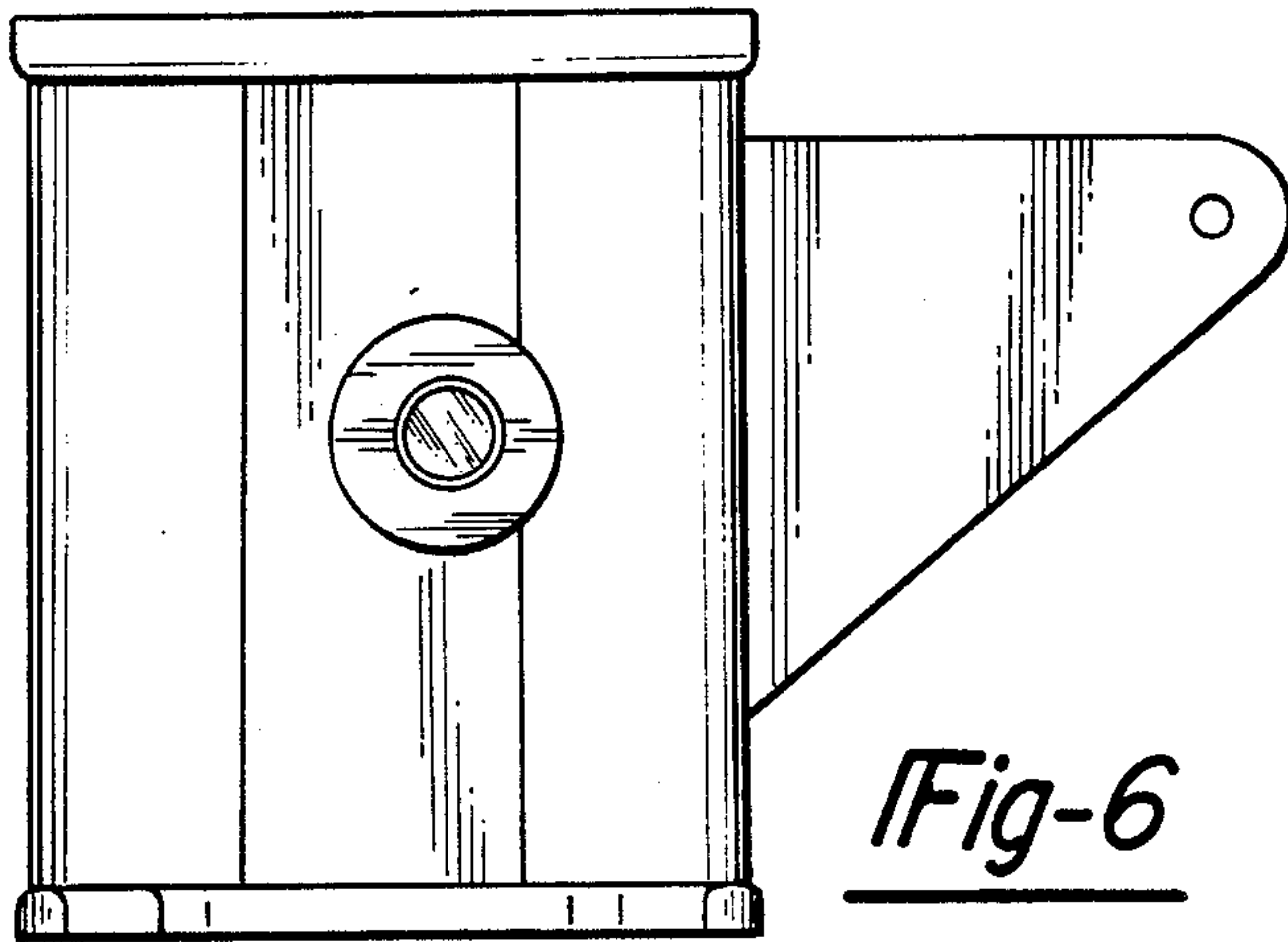


Fig-6