

**United States Patent** [19]  
**Mize**

[11] **Patent Number: Des. 304,928**  
[45] **Date of Patent: \*\* Dec. 5, 1989**

[54] **BATTERY CONTACT CLAMP FOR JUMPER CABLE**

4,040,697 8/1977 Ramsay et al. .... 439/822 X  
4,057,313 11/1977 Polizzano ..... 439/822 X  
4,565,414 1/1986 French ..... 439/829 X

[76] **Inventor: Max D. Mize, 712 N. Springfield, Anthony, Kans. 67003**

*Primary Examiner*—Susan J. Lucas  
*Attorney, Agent, or Firm*—John W. Carpenter

[\*\*] **Term: 14 Years**

[57] **CLAIM**

[21] **Appl. No.: 834,858**

The ornamental design for a battery contact clamp for jumper cable, as shown and described.

[22] **Filed: Feb. 24, 1986**

[52] **U.S. Cl. .... D13/10**

[58] **Field of Search .... D13/10; 439/822, 829, 439/819; 24/489**

**DESCRIPTION**

FIG. 1 is a side elevational view of a battery contact clamp for jumper cable showing my new design; FIG. 2 is an opposite side elevational view thereof; FIG. 3 is a top plan view thereof; FIG. 4 is a bottom plan view thereof; FIG. 5 is a front elevational view thereof; FIG. 6 is a rear elevational view thereof.

[56] **References Cited**

**U.S. PATENT DOCUMENTS**

D. 258,818 4/1981 Johnson et al. .... D13/10

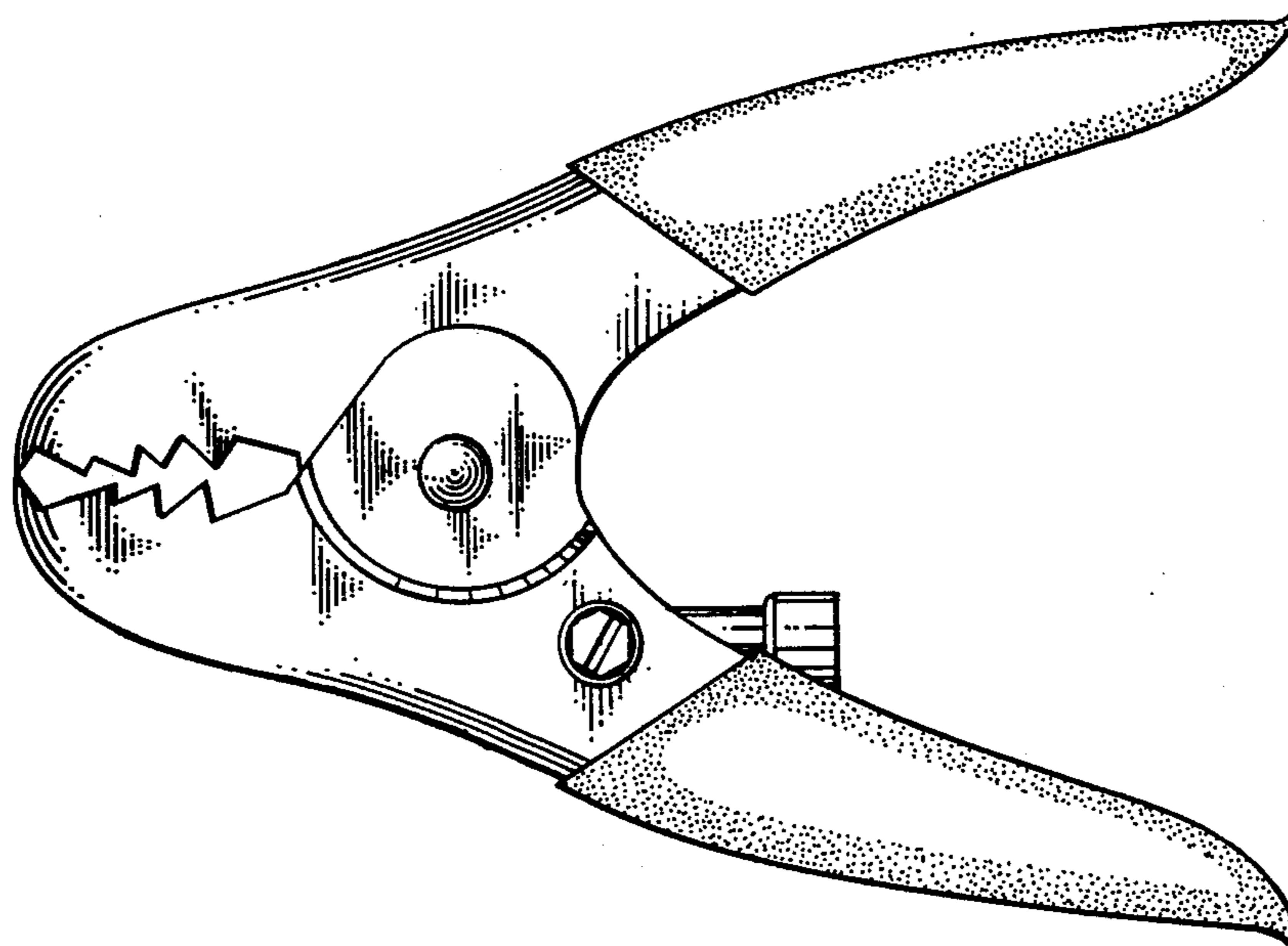


FIG. 1

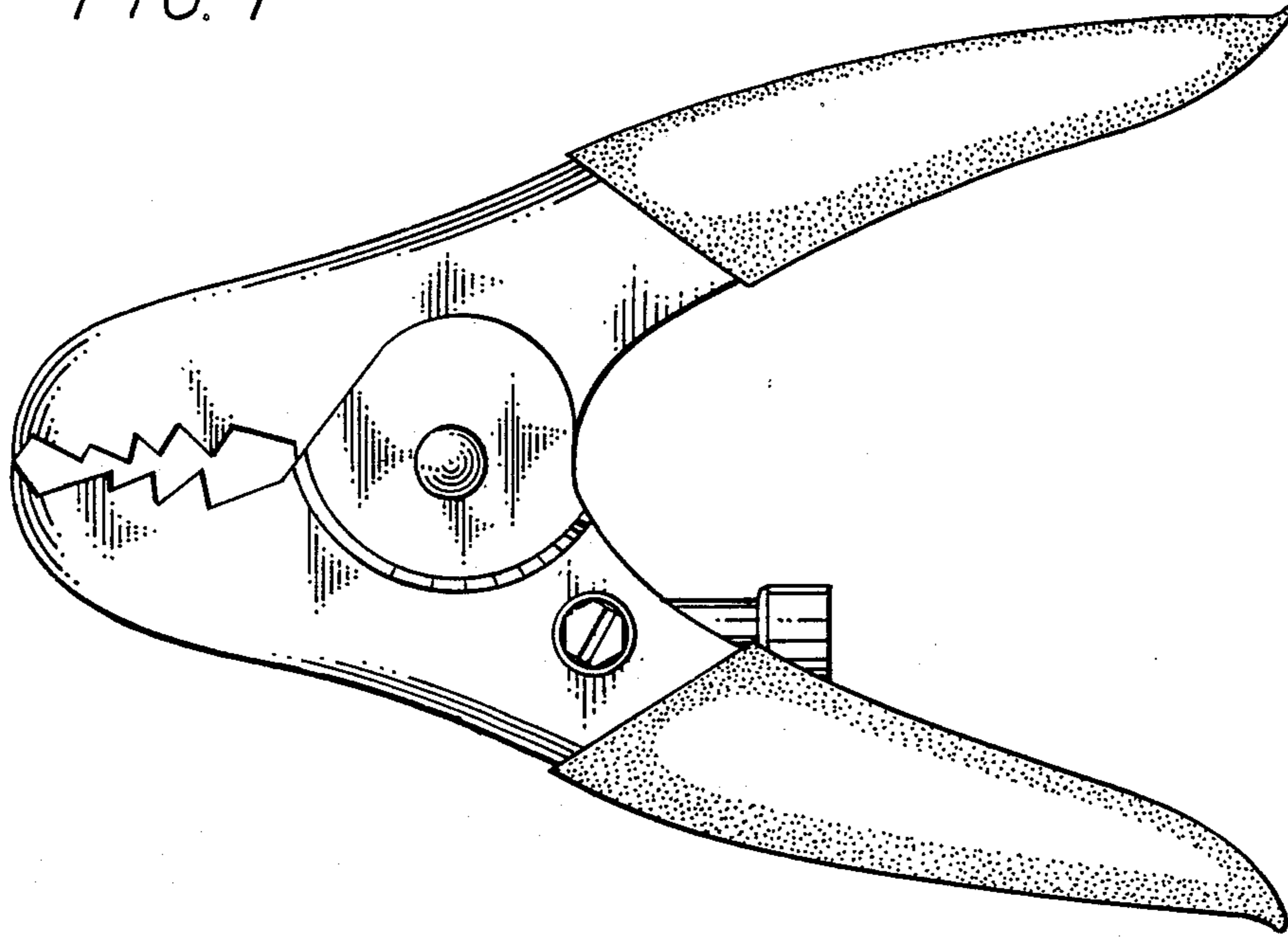


FIG. 2

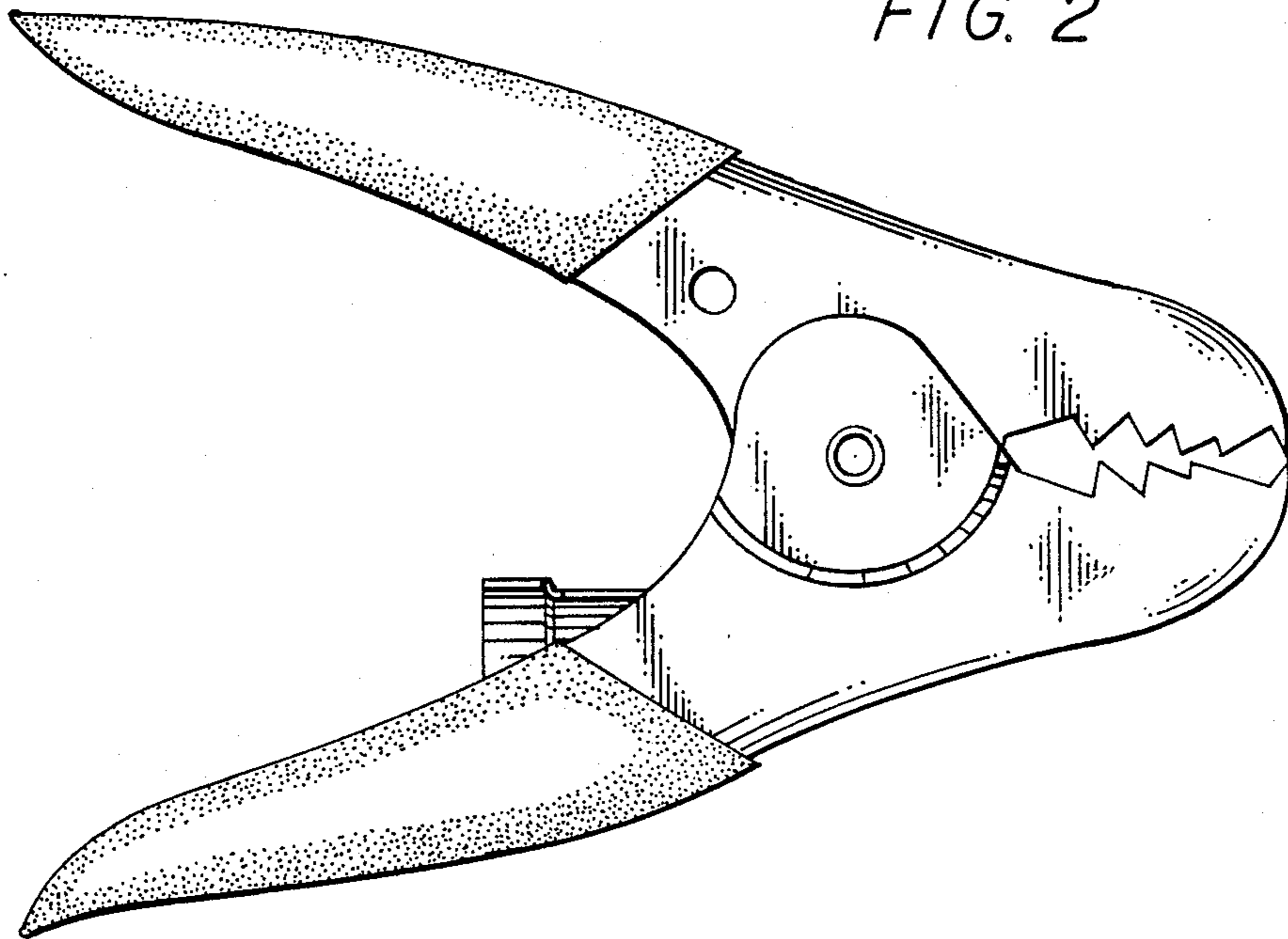


FIG. 3

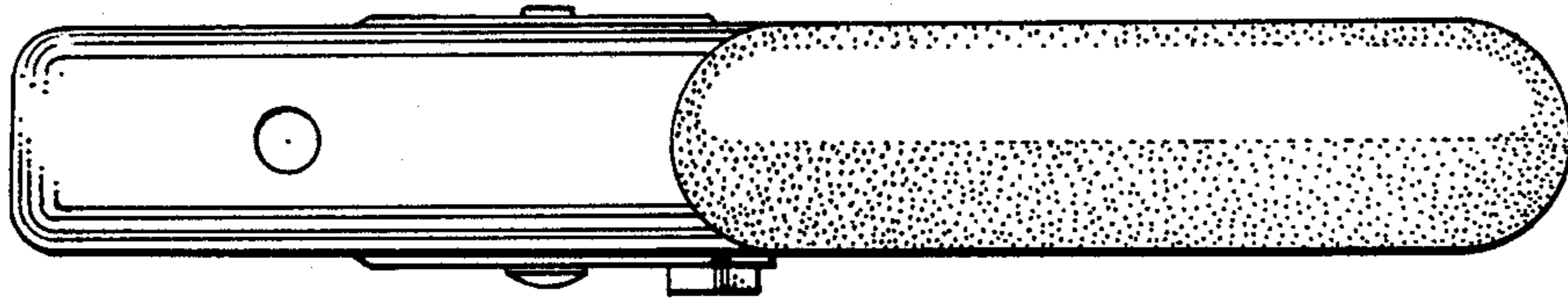


FIG. 4

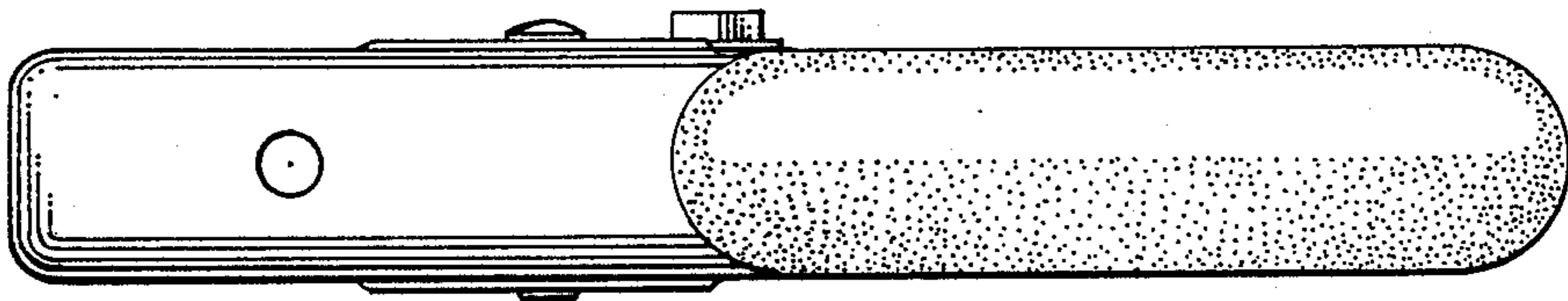


FIG. 5

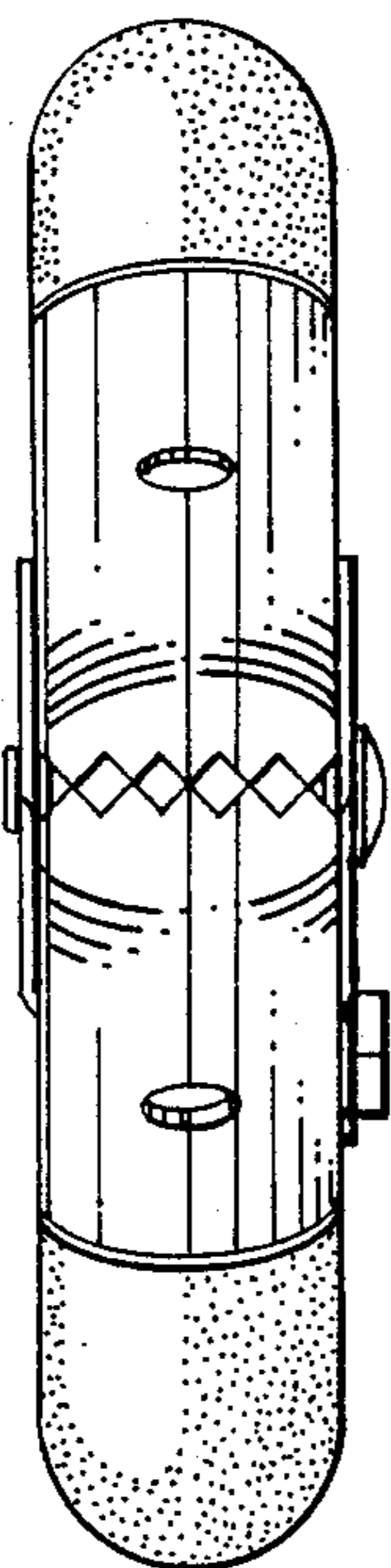


FIG. 6

