

[54] **BATTERY**

[75] **Inventor:** Larry K. W. Ching, Jr., Littleton, Colo.

[73] **Assignee:** Gates Energy Products, Inc., Gainesville, Fla.

[**] **Term:** 14 Years

[21] **Appl. No.:** 194,077

[22] **Filed:** May 13, 1988

[52] **U.S. Cl.** D13/8

[58] **Field of Search** D13/4, 8-11; D14/137; 429/27, 54, 97-100, 123, 133, 149, 151, 153, 159, 160, 163, 176; 307/150; 320/2

[56] **References Cited**

U.S. PATENT DOCUMENTS

4,346,151 8/1982 Uba et al. 429/54

FOREIGN PATENT DOCUMENTS

749467 12/1966 Canada 429/99

Primary Examiner—James M. Gandy

Assistant Examiner—Joel Sincavage

Attorney, Agent, or Firm—J. E. Ebel; C. H. Castleman, Jr.; H. W. Oberg, Jr.

[57] **CLAIM**

The ornamental design for a battery, as shown and described.

DESCRIPTION

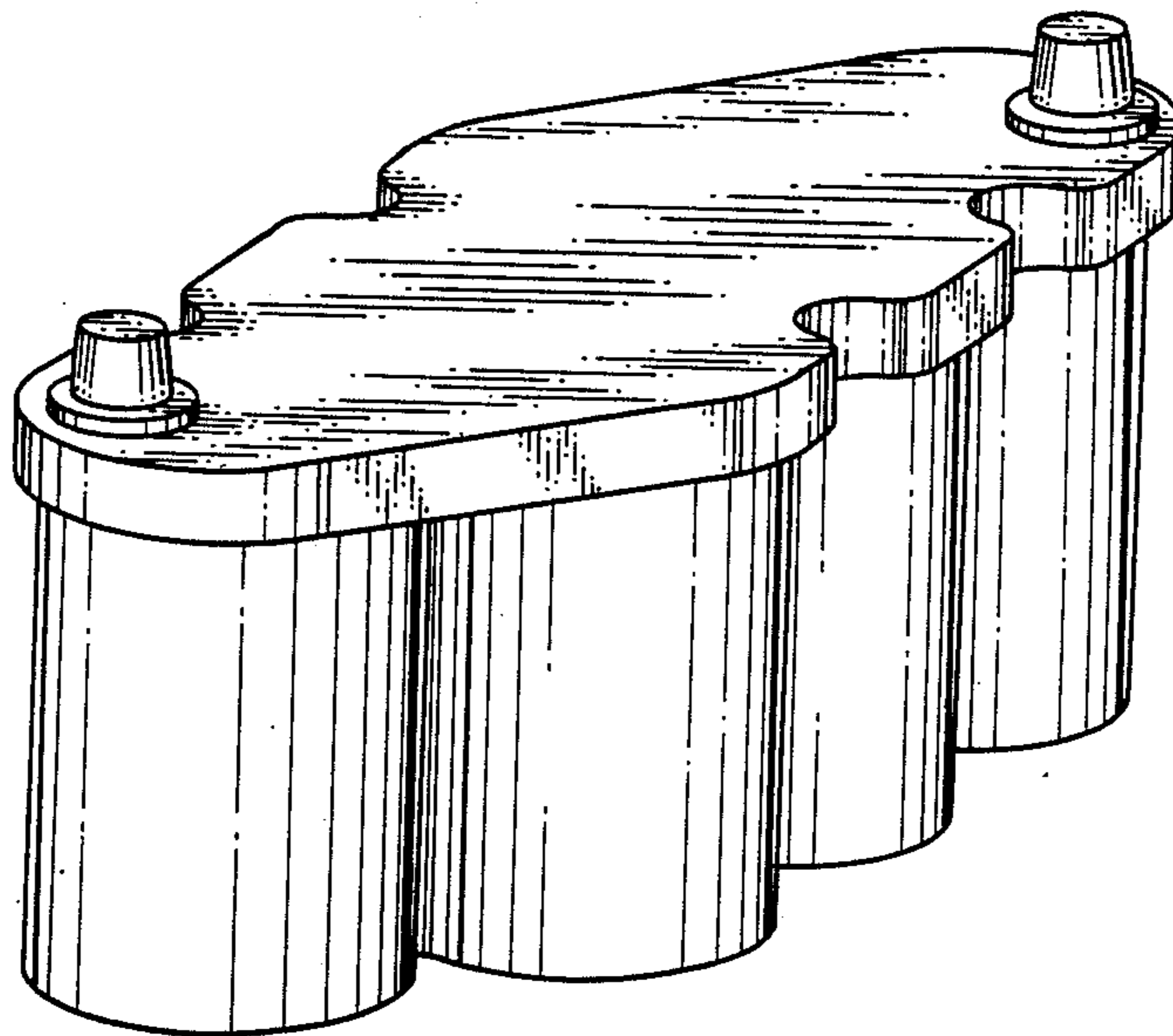
FIG. 1 is a top perspective view of a battery showing our new design;

FIG. 2 is a top plan view thereof;

FIG. 3 is an end elevational view thereof, the opposite end elevational view being a mirror image;

FIG. 4 is a front elevational view thereof, the rear elevational view being a mirror image; and

FIG. 5 is a bottom plan view thereof.



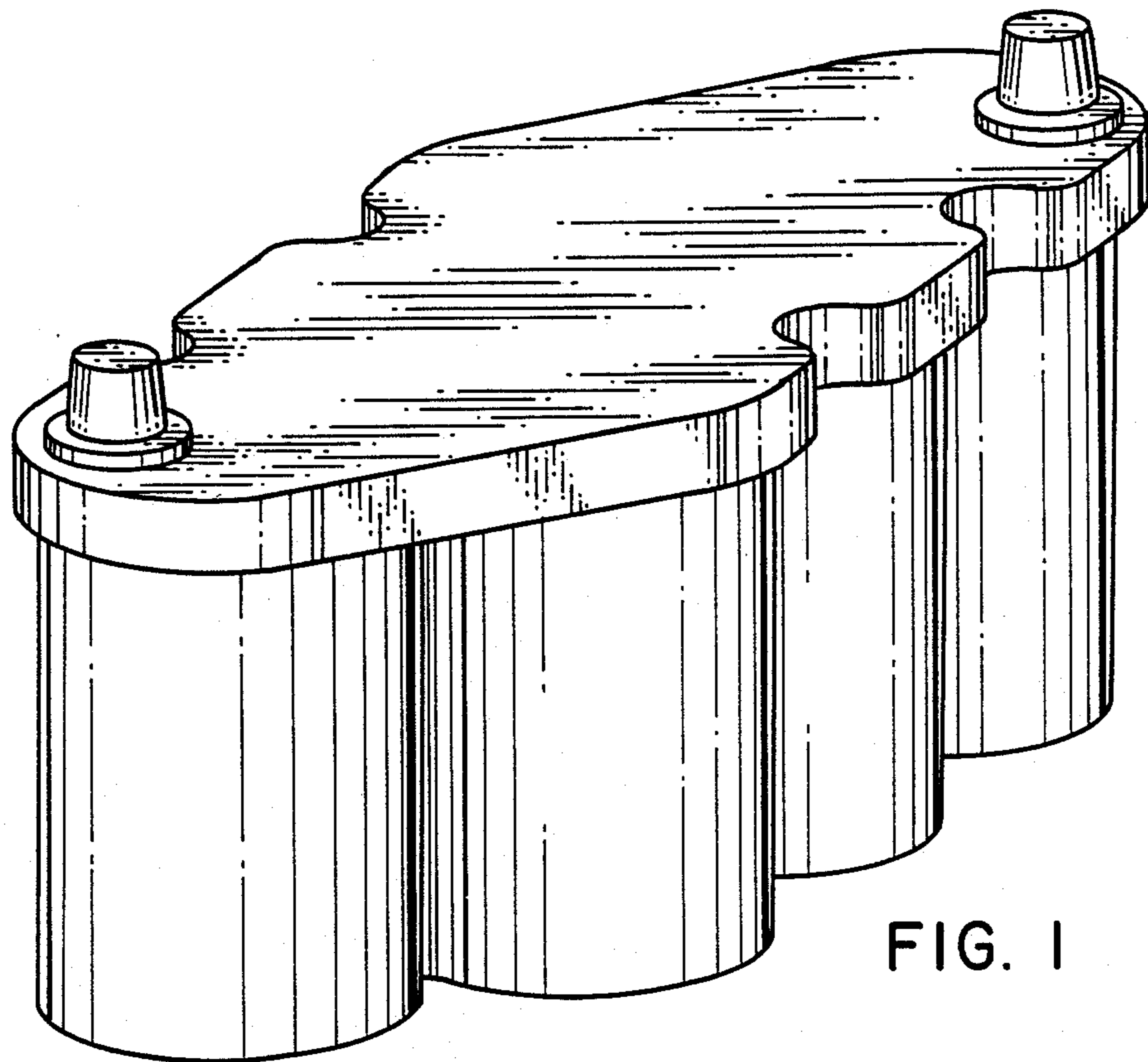


FIG. 1

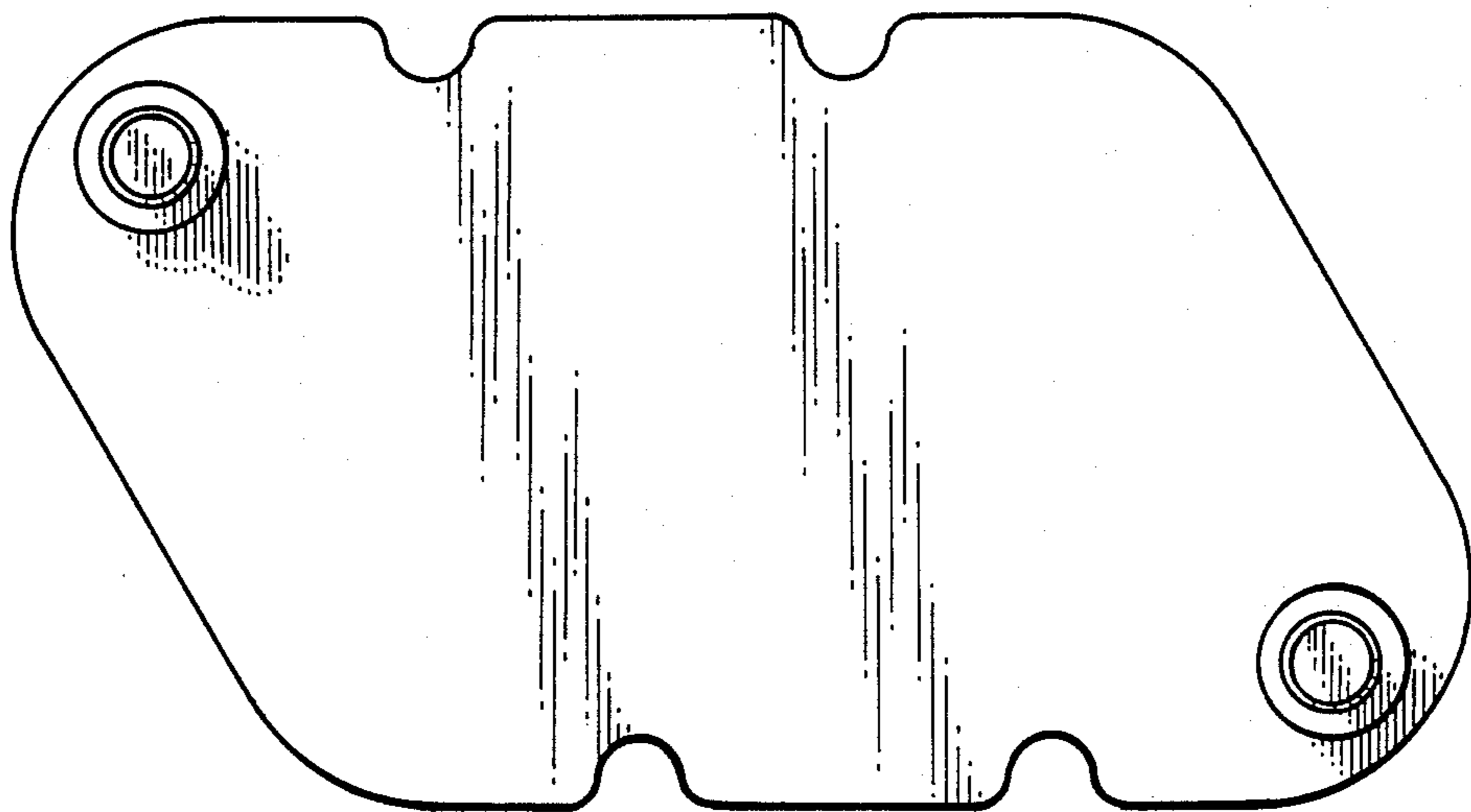


FIG. 2

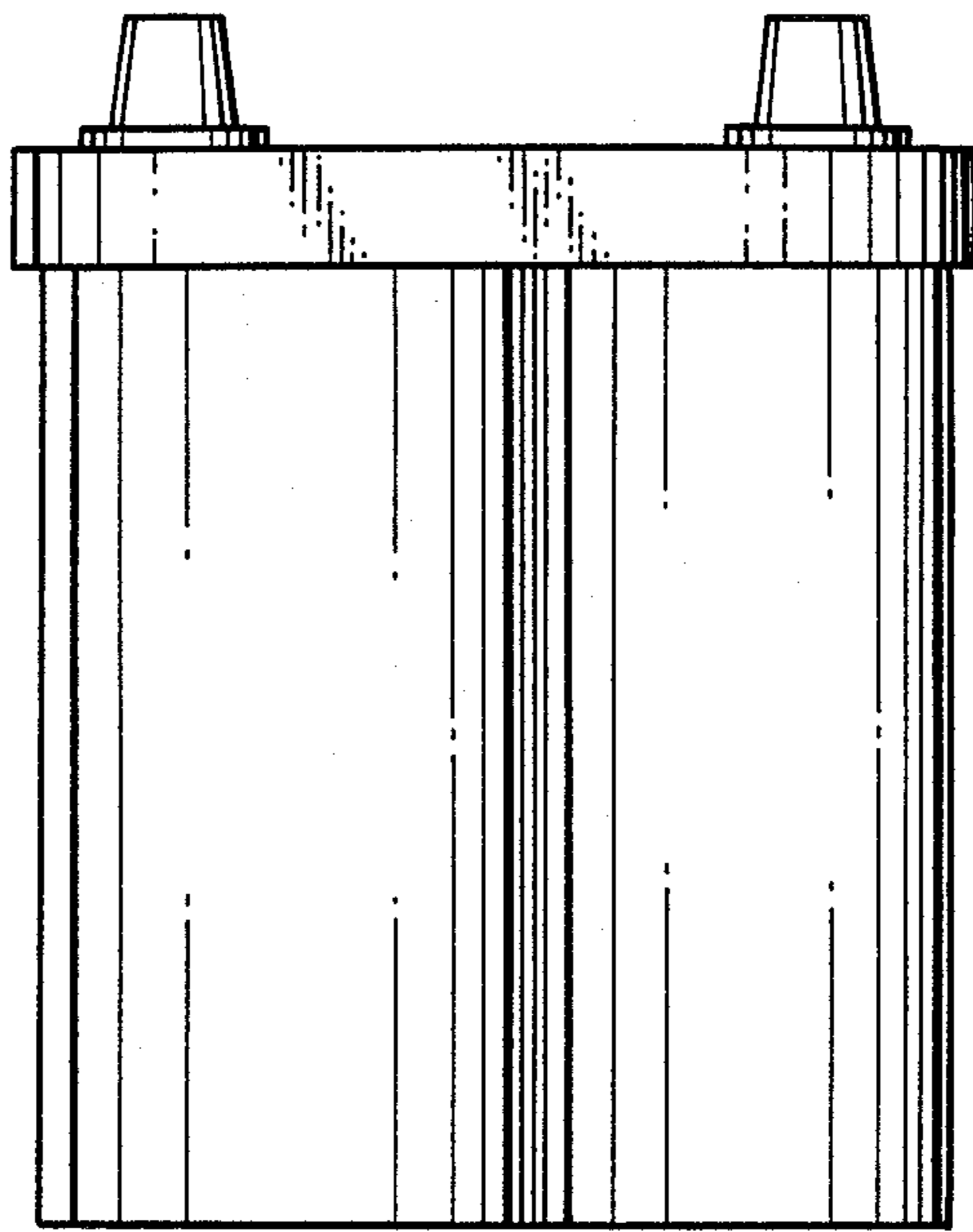


FIG. 3

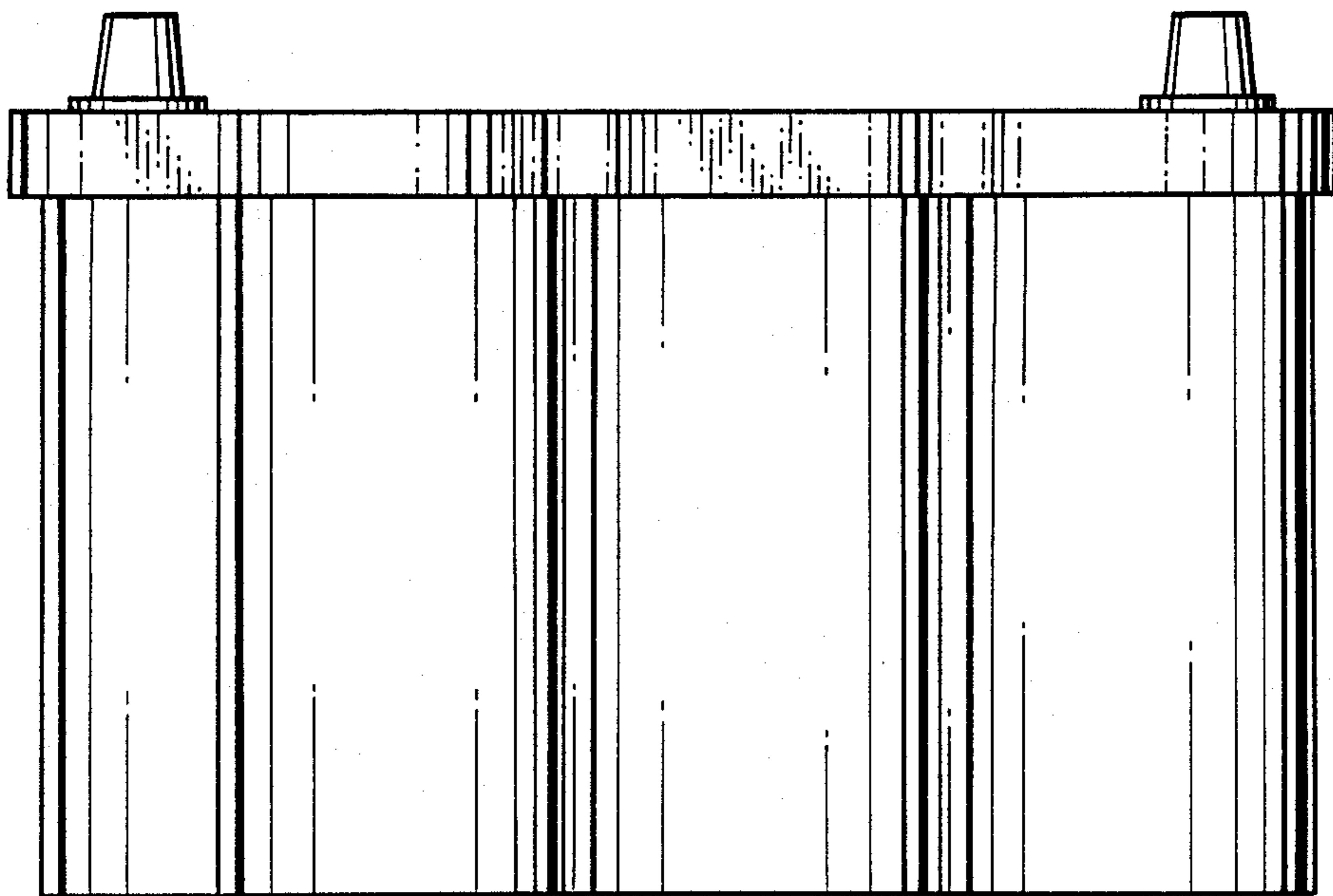


FIG. 4

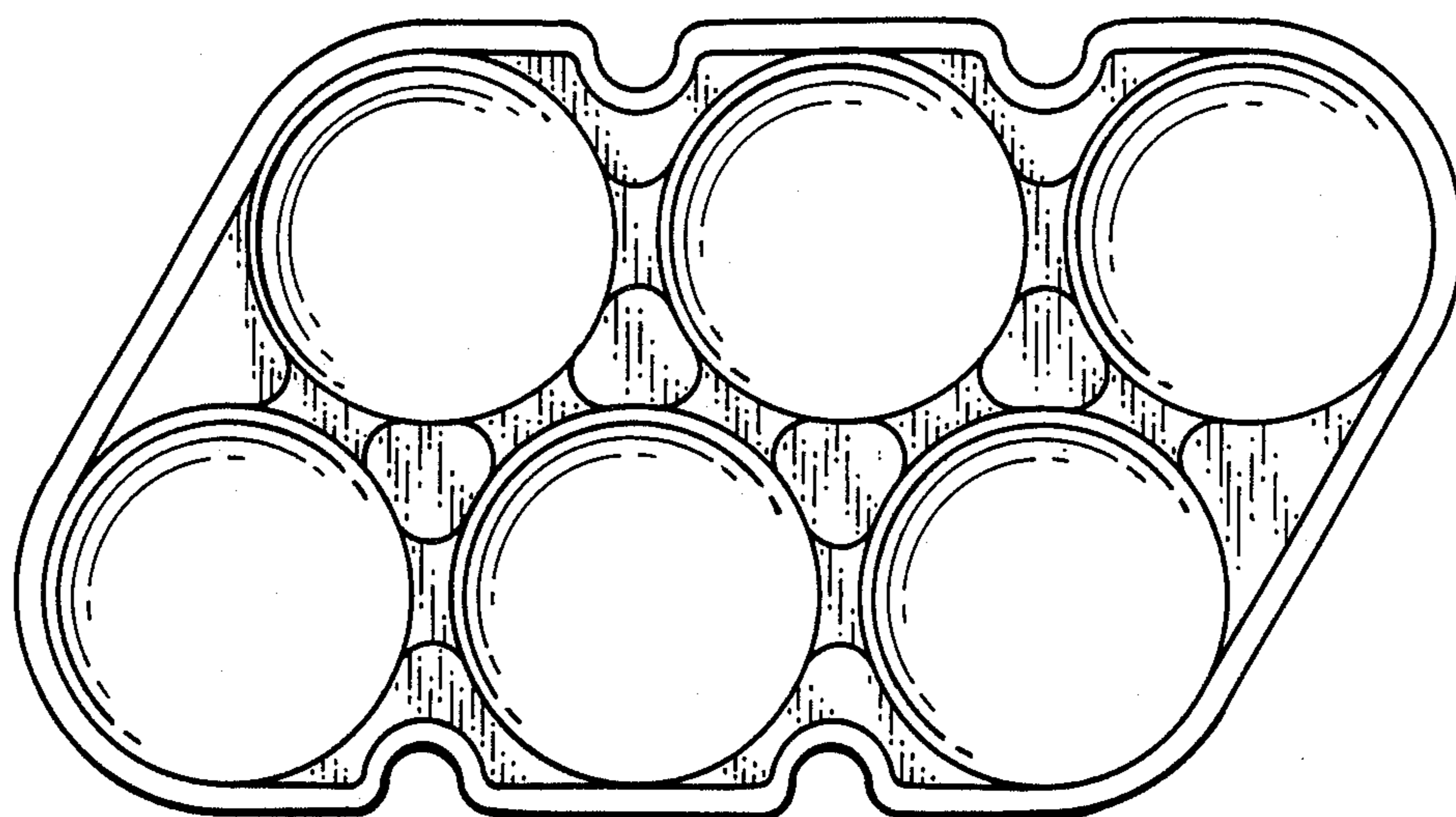


FIG. 5