

United States Patent [19]

Pado

[11] Patent Number: **Des. 304,923**

[45] Date of Patent: **** Dec. 5, 1989**

[54] UNDERWATER VEHICLE

[75] Inventor: **John T. Pado, City Beach, Australia**

[73] Assignee: **Underwater Systems Australia Limited, Fremantle, Australia**

[**] Term: **14 Years**

[21] Appl. No.: **55,871**

[22] Filed: **Jun. 1, 1987**

[30] Foreign Application Priority Data

Dec. 5, 1986 [AU] Australia 7800/86

[52] U.S. Cl. **D12/308; D21/131**

[58] Field of Search **D16/201, 204; D12/308; 114/331, 332; 352/131, 132; 358/99**

[56] References Cited

U.S. PATENT DOCUMENTS

D. 201,692 7/1965 Braun D21/59

D. 262,561 1/1982 Lerch D21/130

D. 275,571 9/1984 Carrington D16/204

3,063,395 11/1962 Brown 114/331

3,101,066 8/1963 Haselton D12/308

4,721,055 1/1988 Pado 114/332

Primary Examiner—Charles A. Rademaker

Assistant Examiner—Alicia A. Farrell

Attorney, Agent, or Firm—Gipple & Hale

[57] CLAIM

The ornamental design for a underwater vehicle, as shown and described.

DESCRIPTION

FIG. 1 is a perspective view of an underwater vehicle showing my new design;

FIG. 2 is a perspective view thereof; showing the side opposite that shown in FIG. 1;

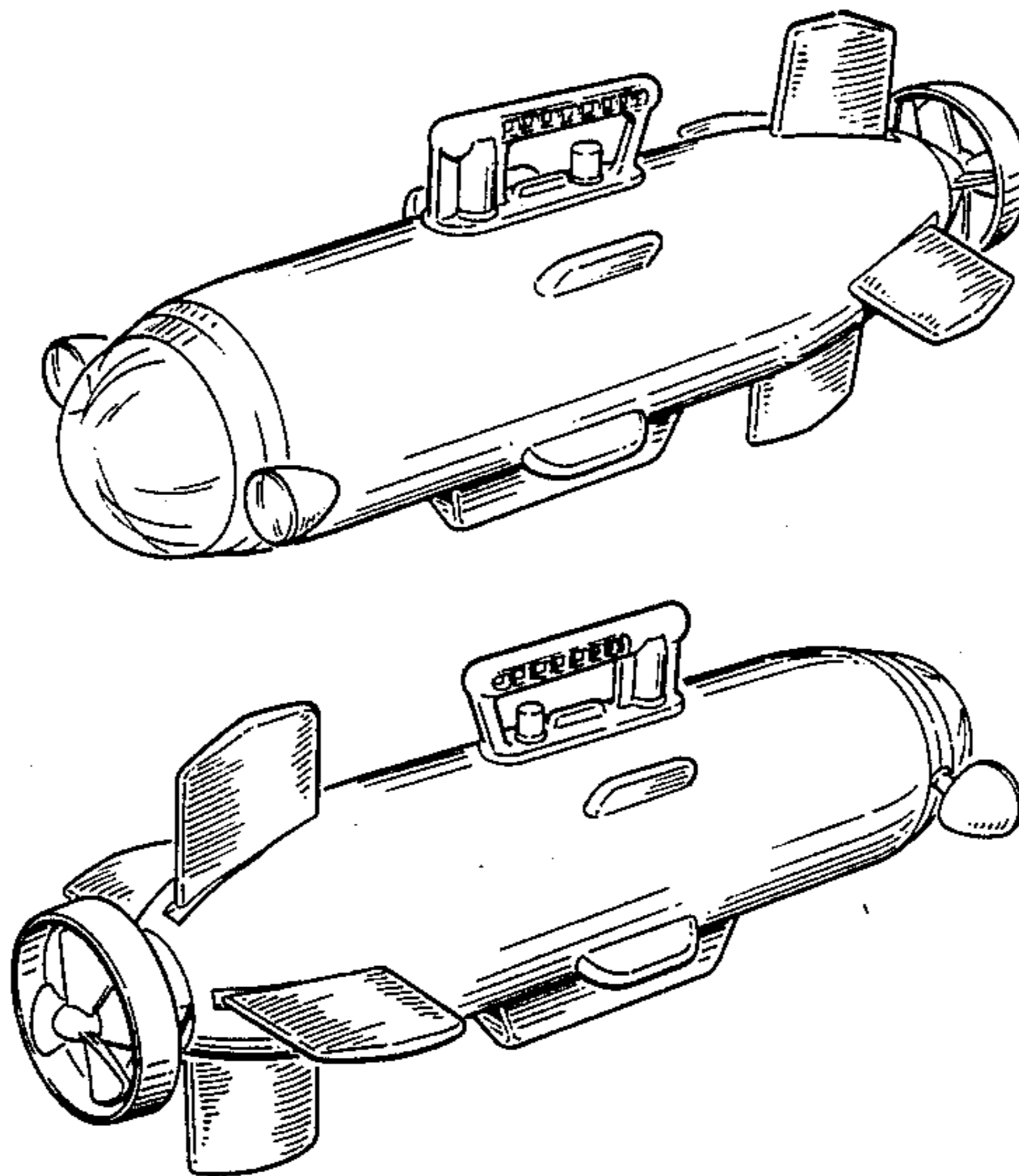
FIG. 3 is a front elevational view thereof;

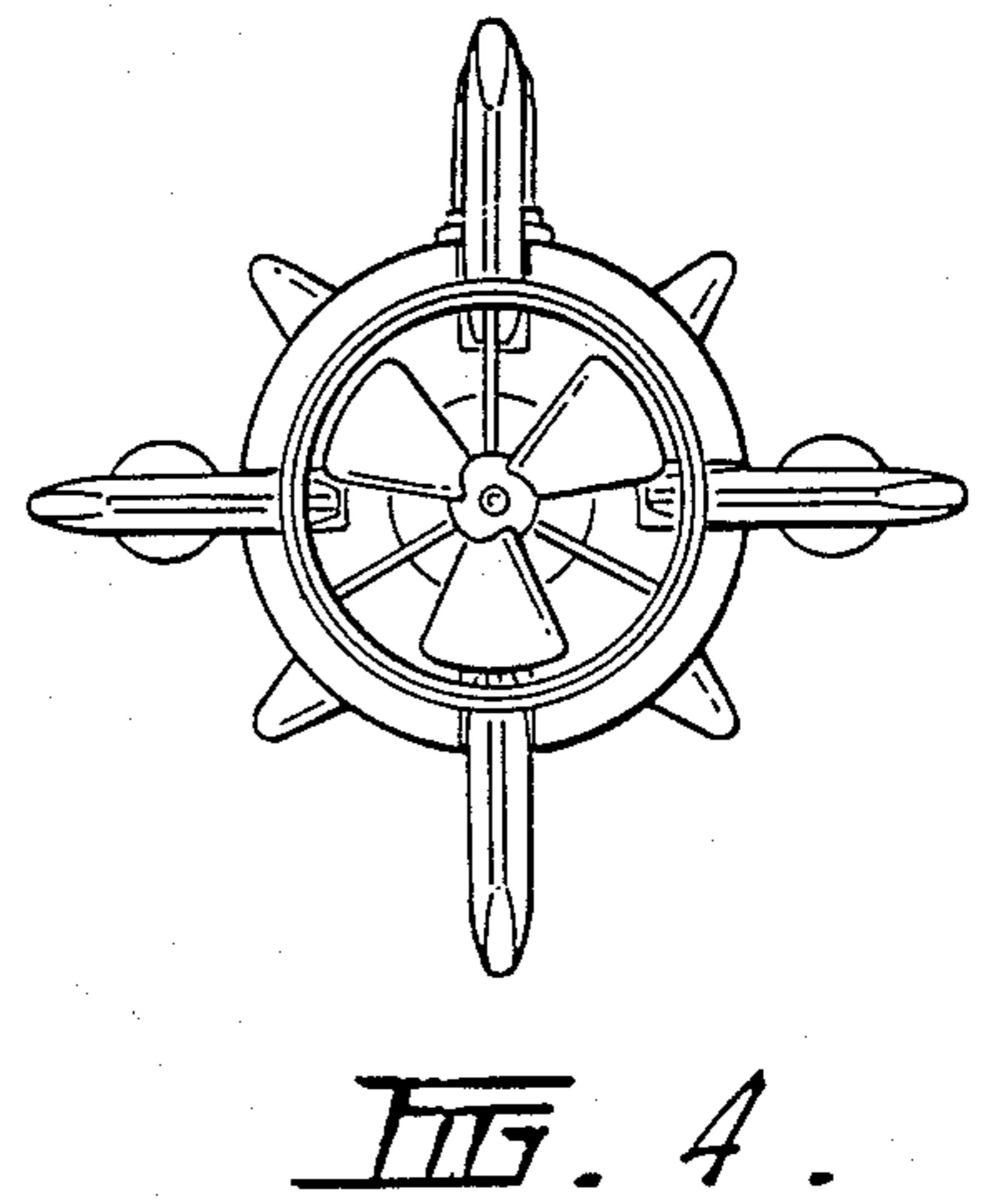
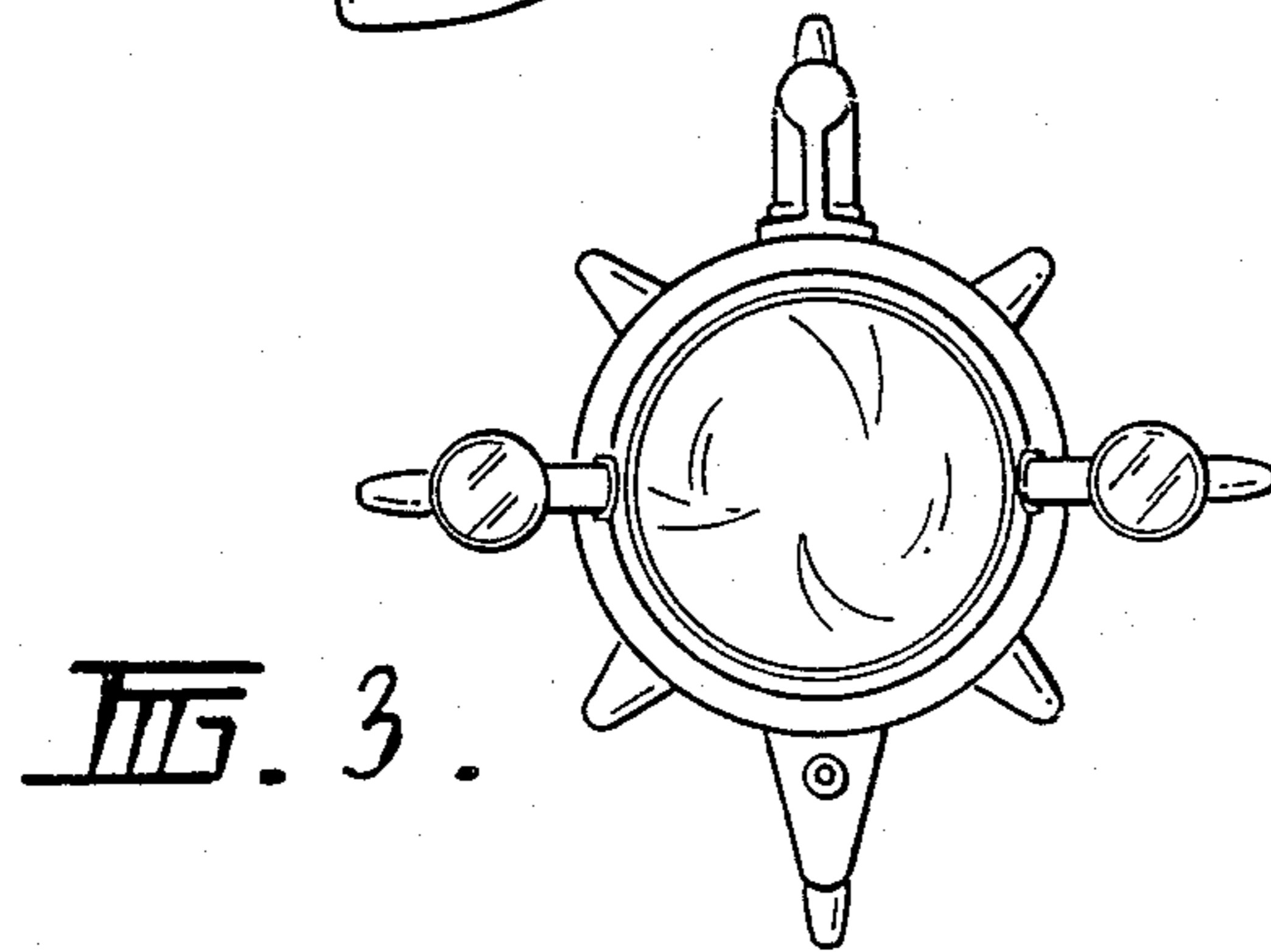
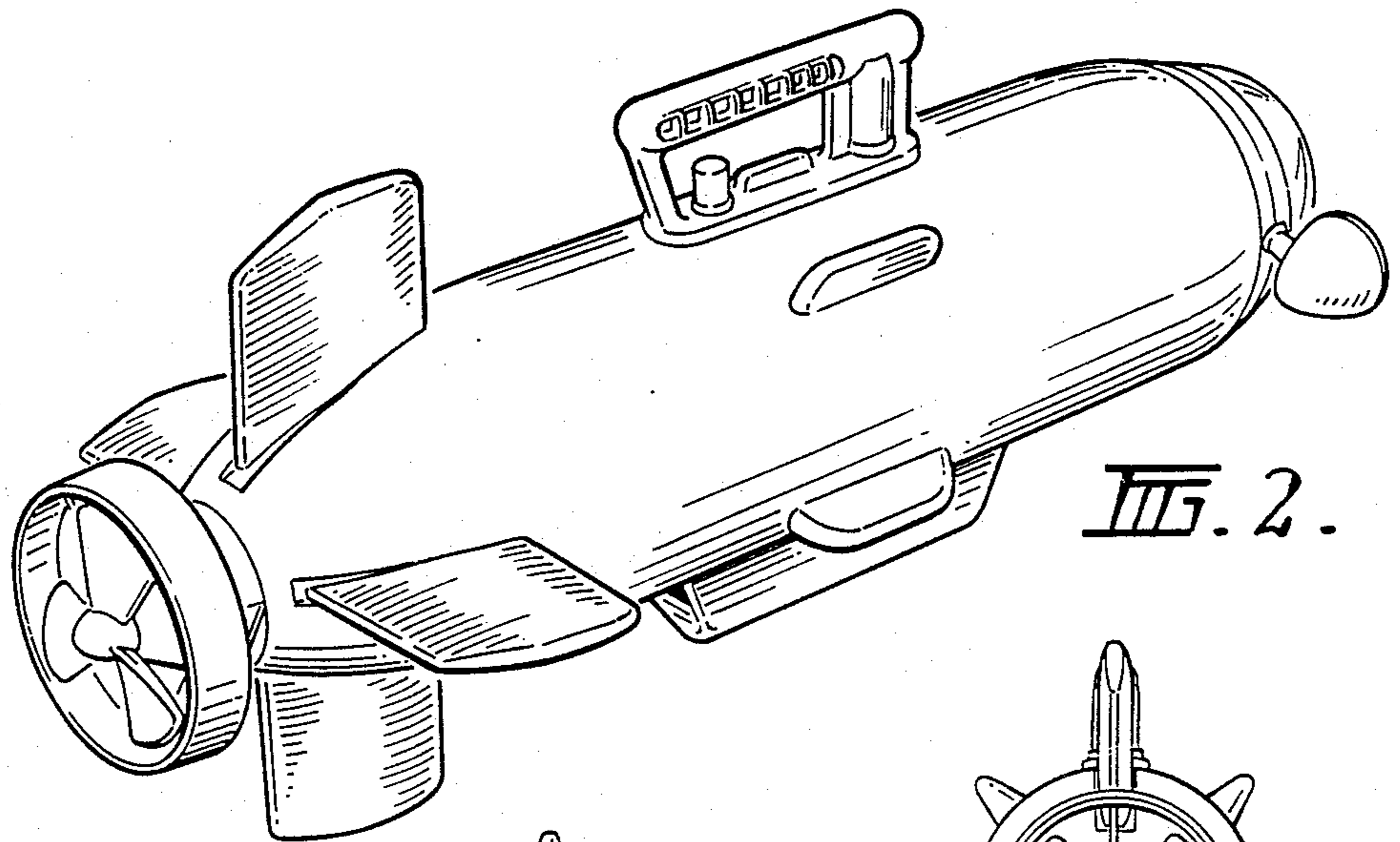
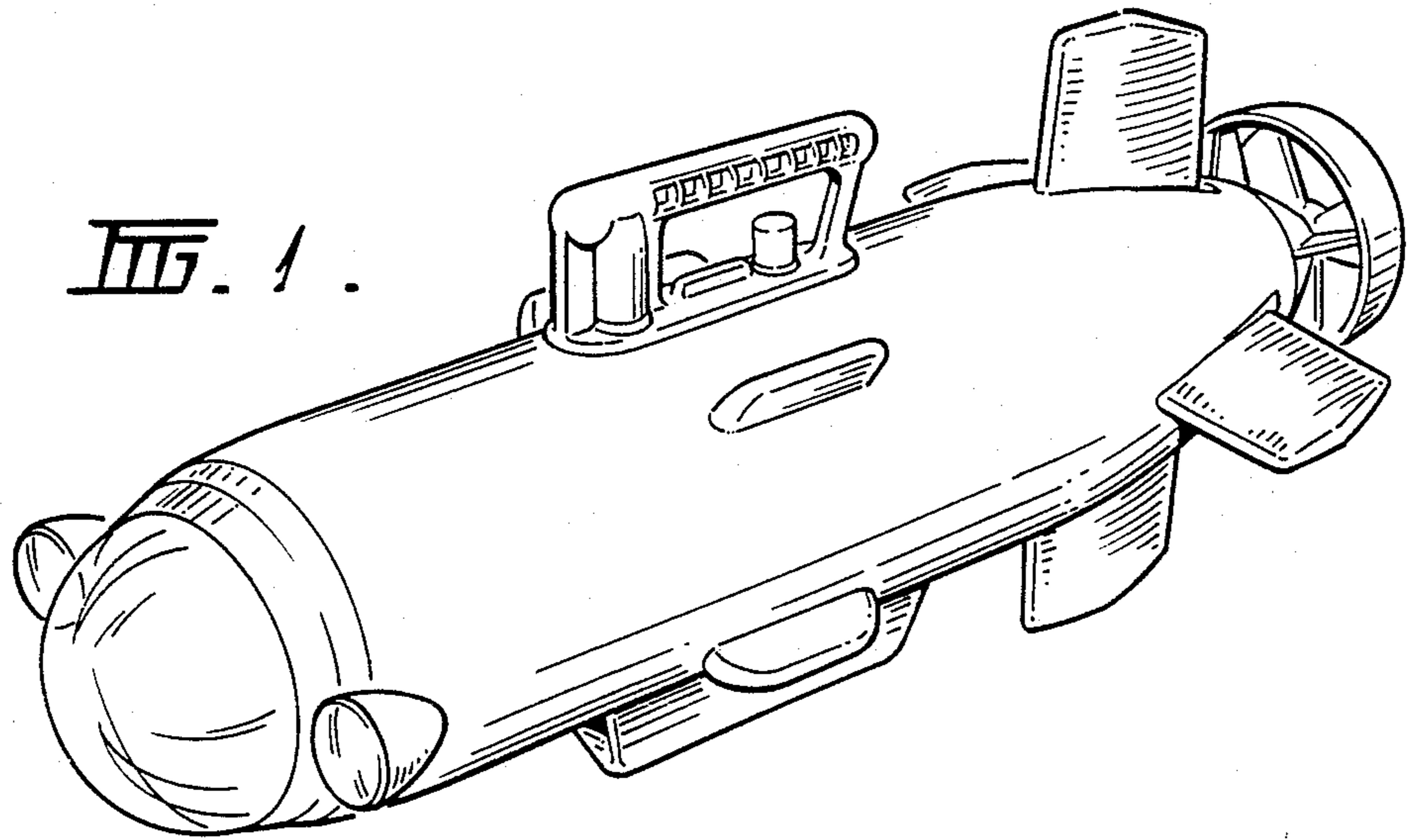
FIG. 4 is a rear elevational view thereof;

FIG. 5 is a side elevational view thereof; the side opposite being a mirror image;

FIG. 6 is a top plan view thereof; and,

FIG. 7 is a bottom plan view thereof.





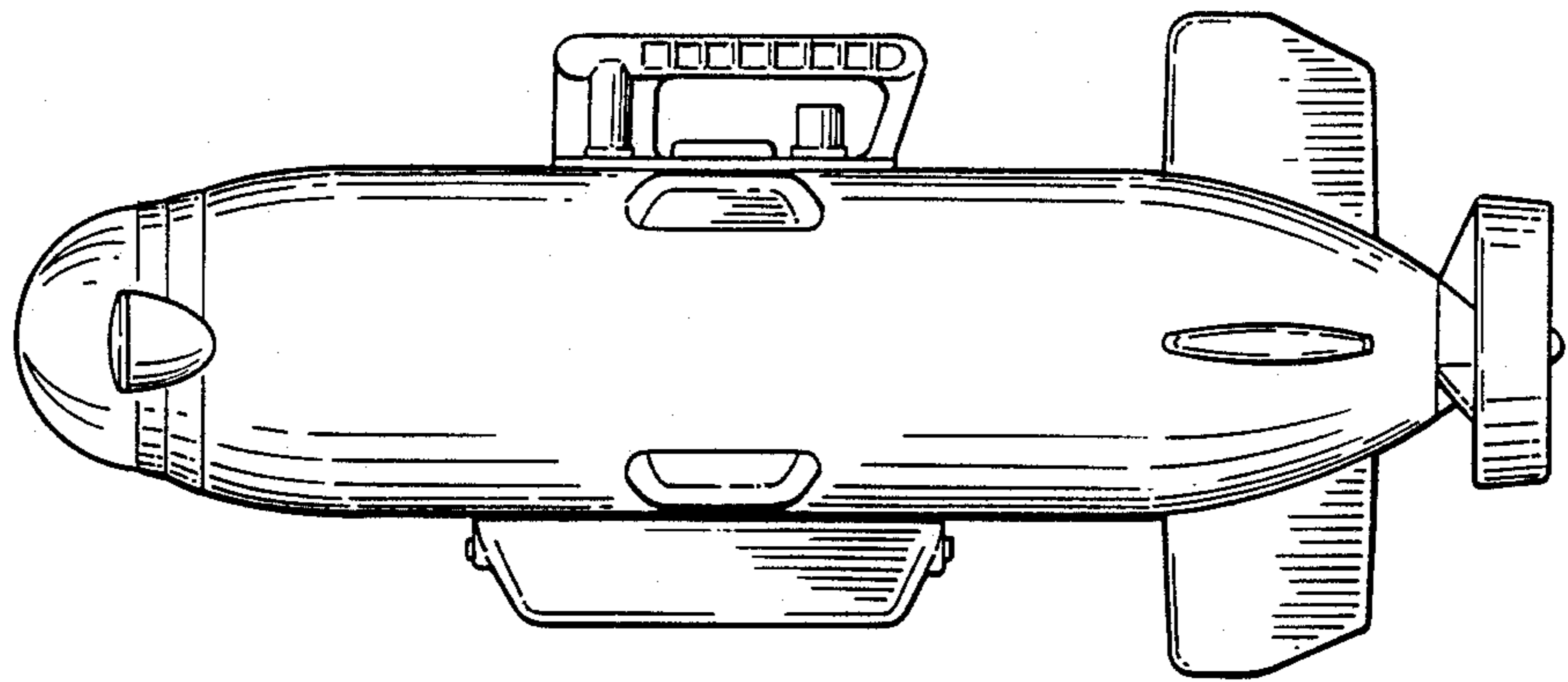


FIG. 5.

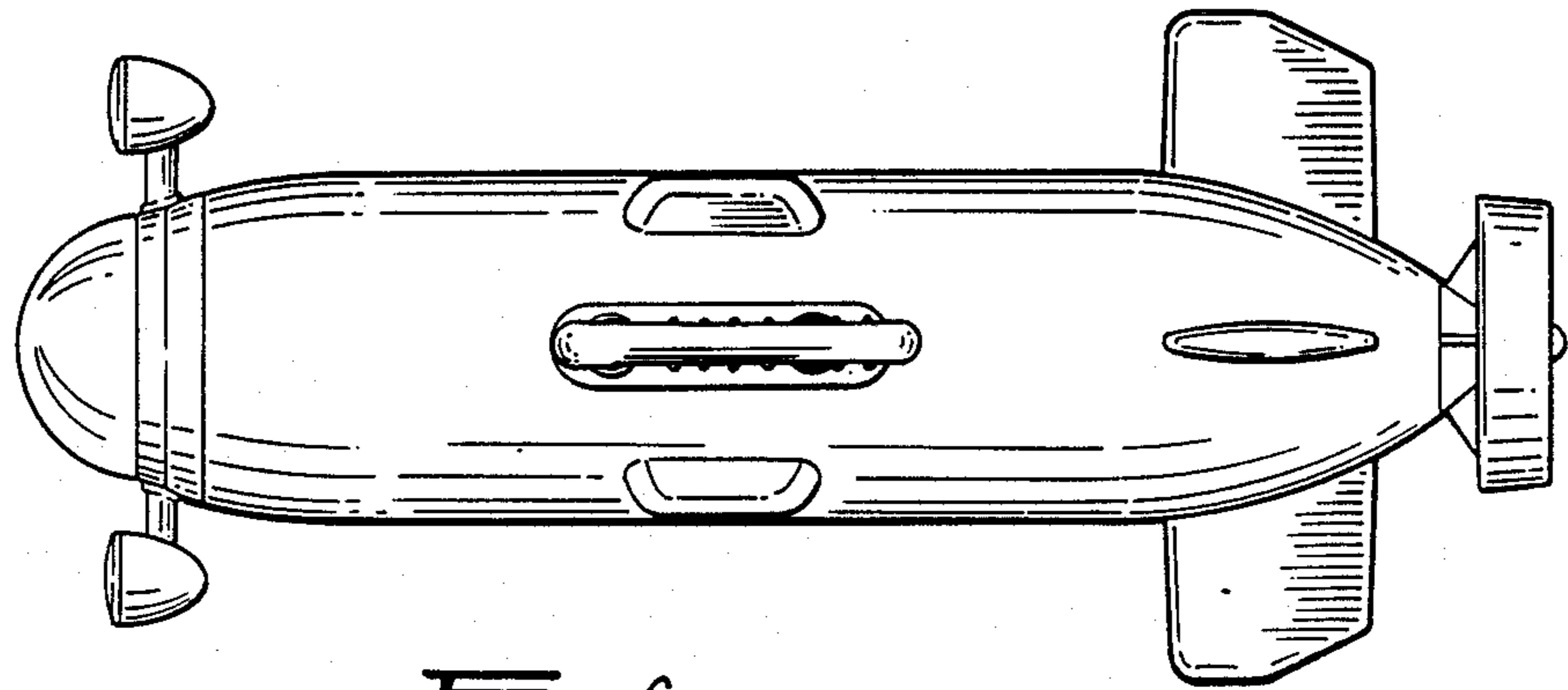


FIG. 6.

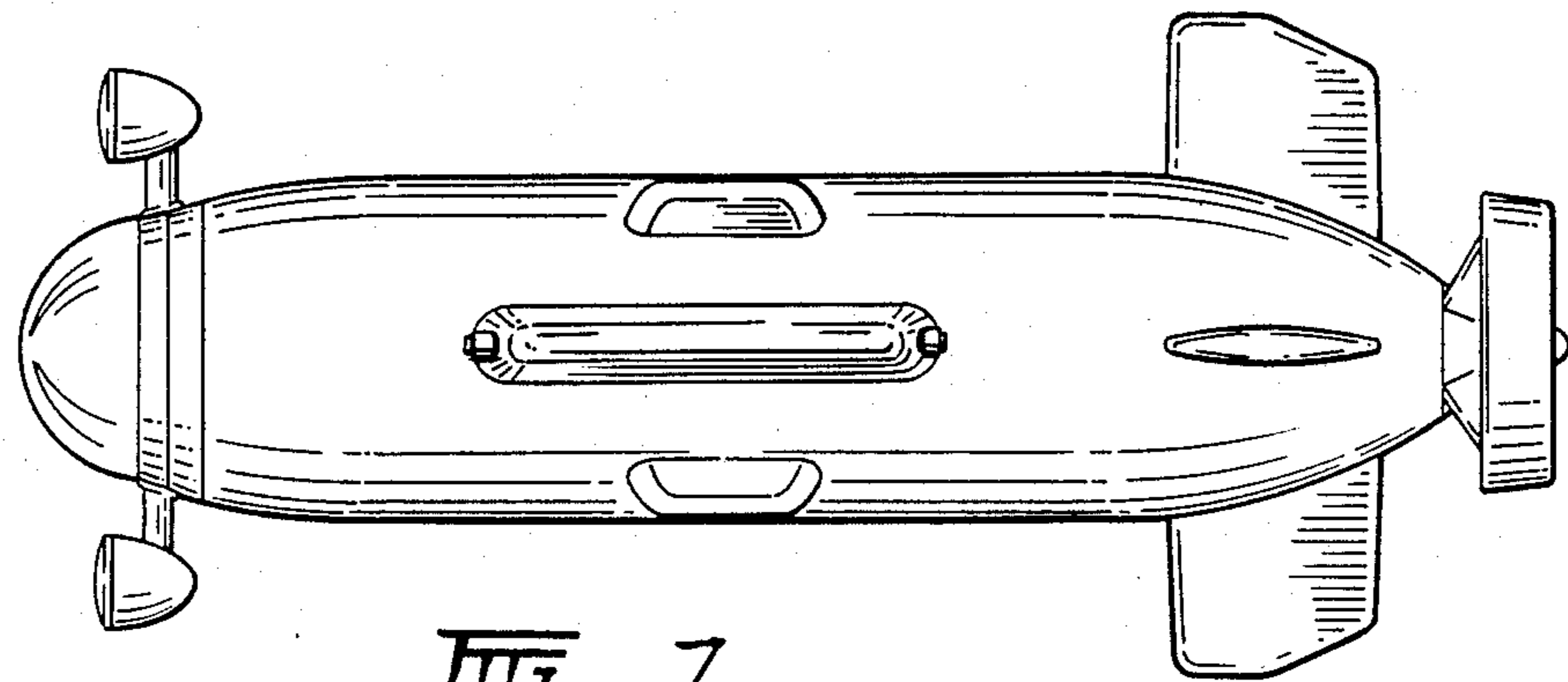


FIG. 7.