

[54] BUG AND STONE DEFLECTOR SHIELD MOUNT FOR AUTOMOBILES AND THE LIKE

[75] Inventor: John F. Castagna, Milford, Pa.

[73] Assignee: Sparkomatic Corporation, Milford, Pa.

[**] Term: 14 Years

[21] Appl. No.: 45,845

[22] Filed: May 4, 1987

[52] U.S. Cl. D12/190

[58] Field of Search D12/190, 155; 280/152 R, 153 R, 153 A, 153 B; D25/19; 49/DIG. 2; 296/91

[56] References Cited

U.S. PATENT DOCUMENTS

| | | | | |
|------------|---------|----------------|-------|---------|
| D. 252,471 | 7/1979 | Broadbent | | D12/155 |
| 4,471,991 | 9/1984 | Matthias | | 296/91 |
| 4,627,657 | 12/1986 | Daniels et al. | | 296/91 |

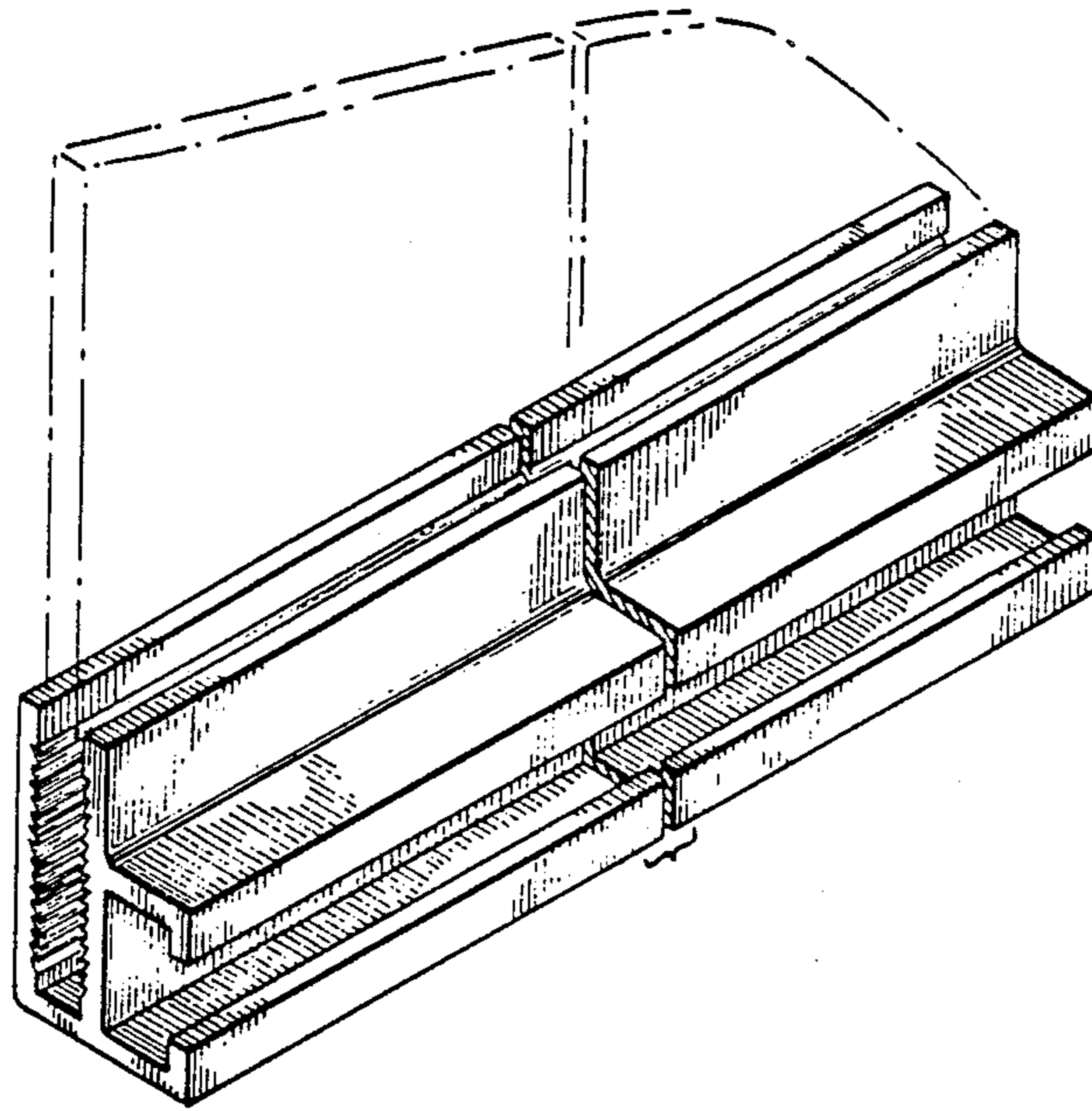
Primary Examiner—Susan J. Lucas
Assistant Examiner—Melody N. Brown
Attorney, Agent, or Firm—Mason, Fenwick & Lawrence

[57] CLAIM

The ornamental design for a bug and stone deflector shield mount for automobiles and the like, as shown and described.

DESCRIPTION

FIG. 1 is a rear perspective view of a bug and stone deflector shield mount for automobile and the like showing my new design, it being understood that the mount is broken away in the middle to indicate indeterminate length and the broken lines are for illustrative purposes only and form no part of the claimed design; FIG. 2 is an enlarged end elevation view thereof the opposite end being a mirror image of that shown; FIG. 3 is a top plan view thereof; FIG. 4 is a rear elevational view thereof; FIG. 5 is a bottom plan view thereof; and FIG. 6 is a front elevational view thereof.



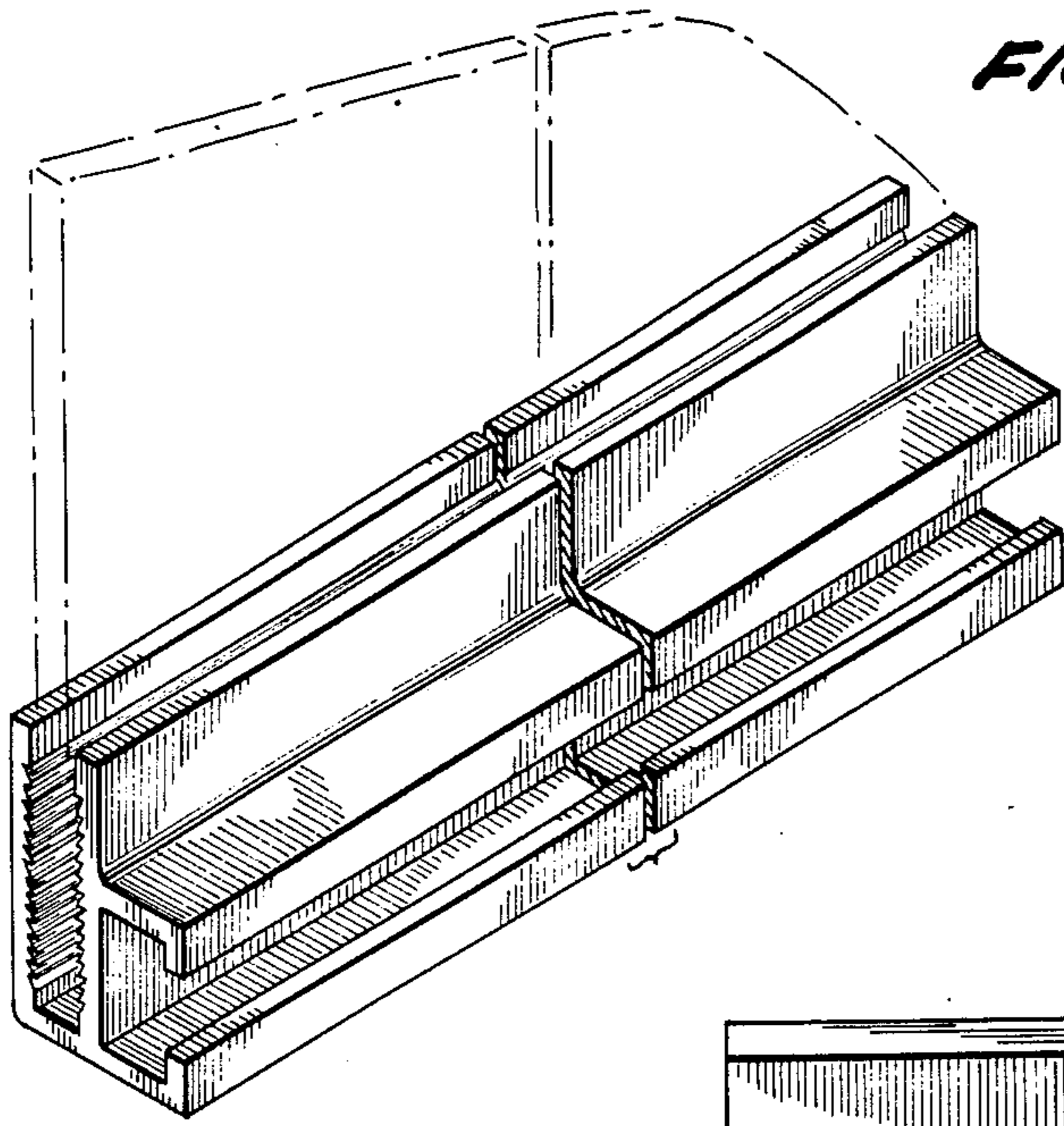


FIG-1

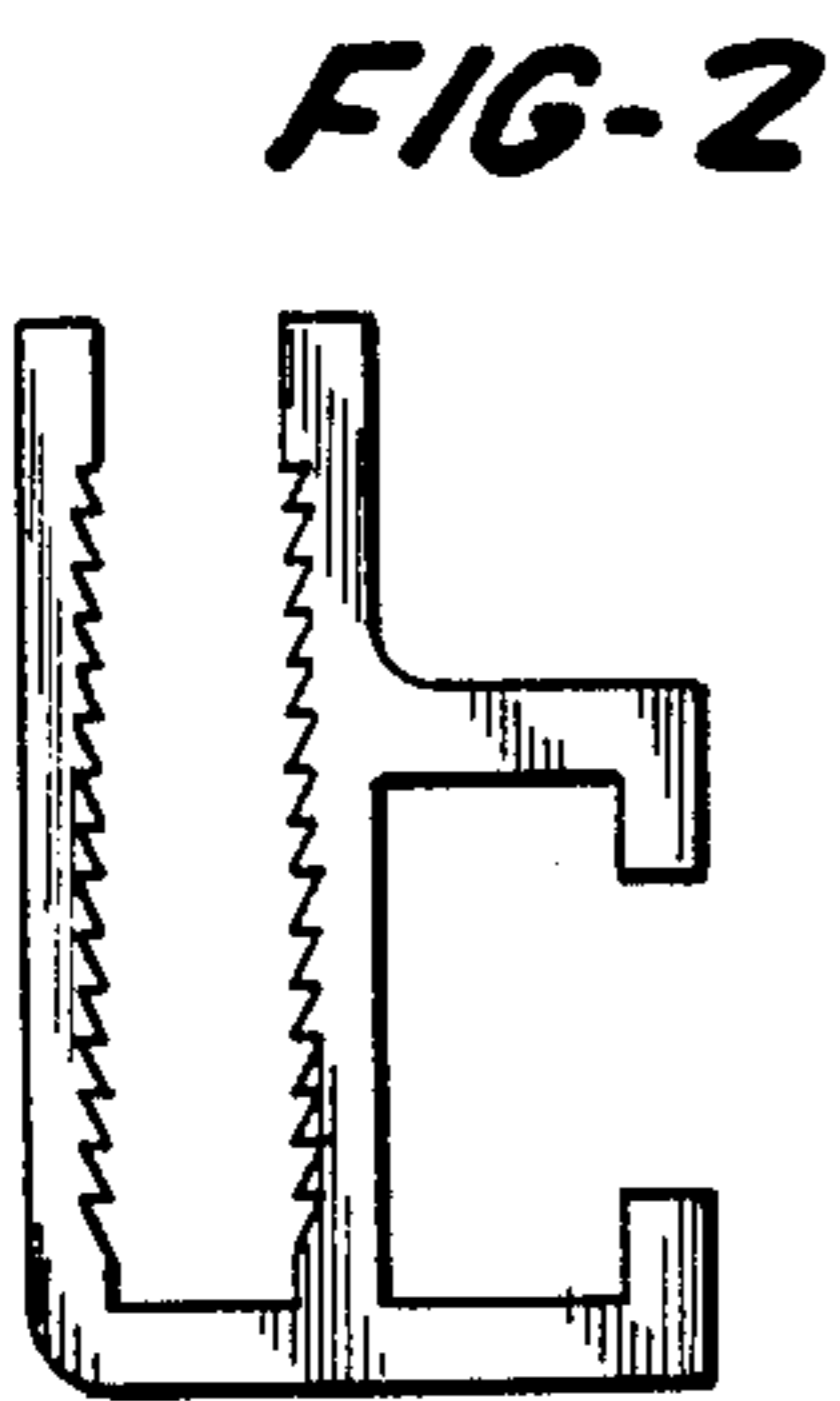


FIG-2

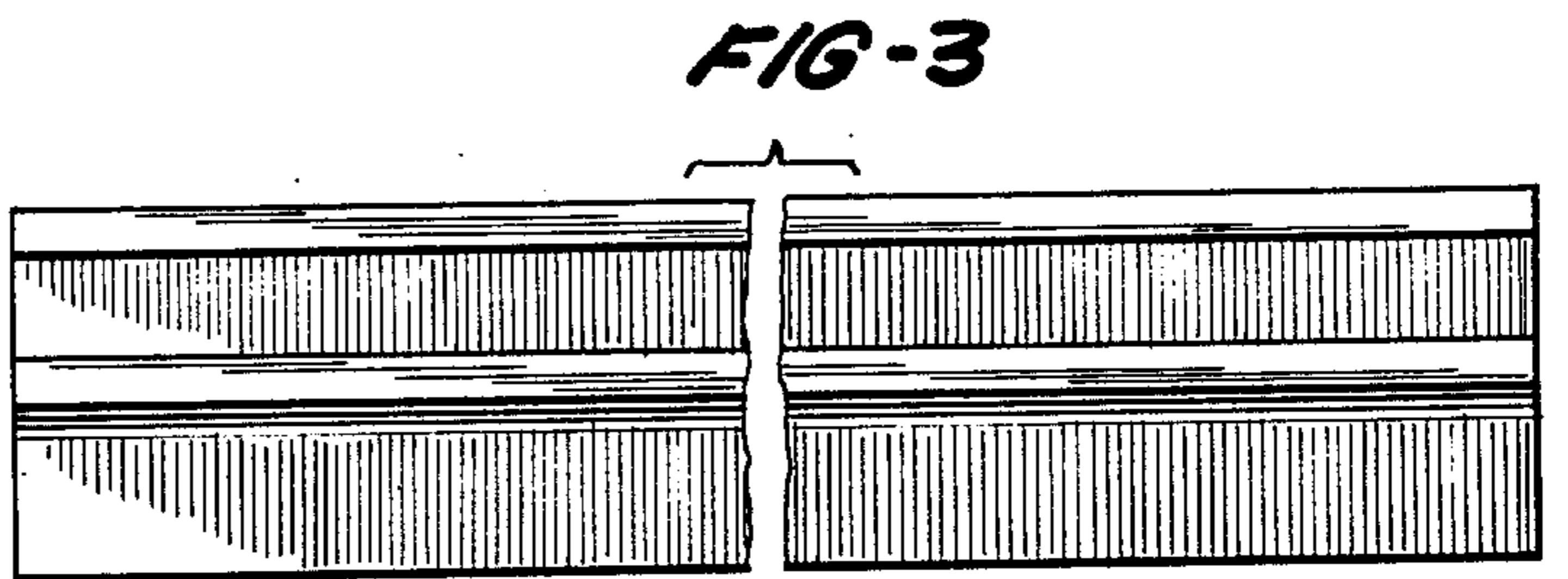


FIG-3

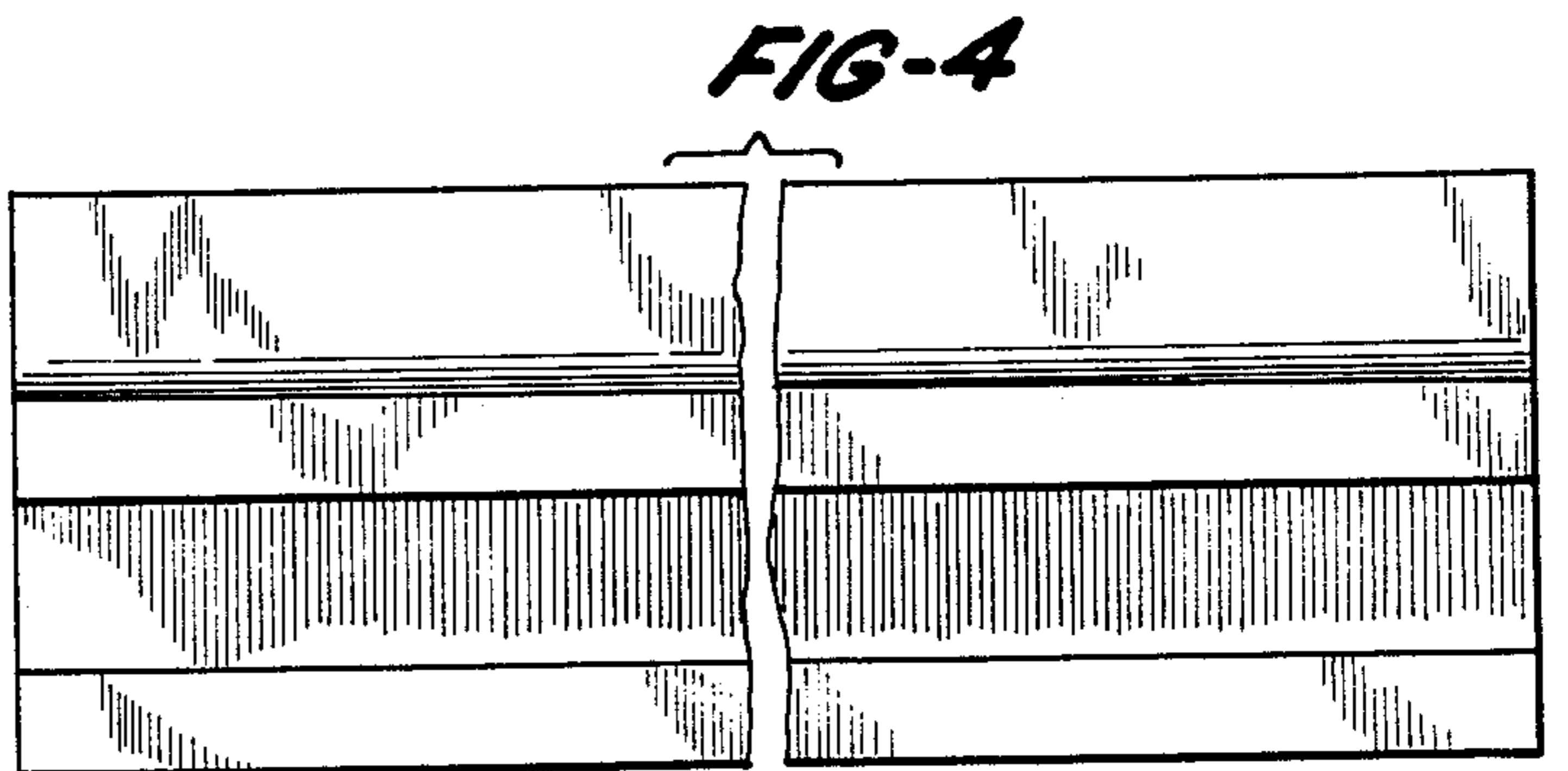


FIG-4

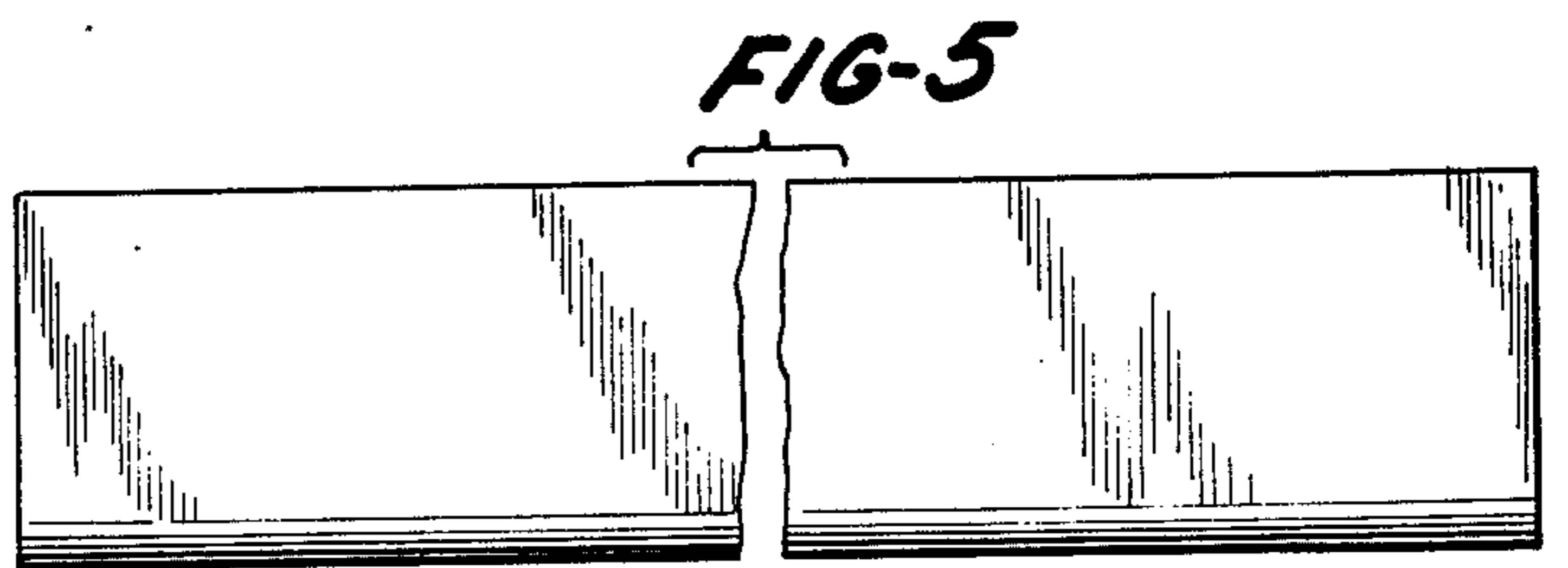


FIG-5

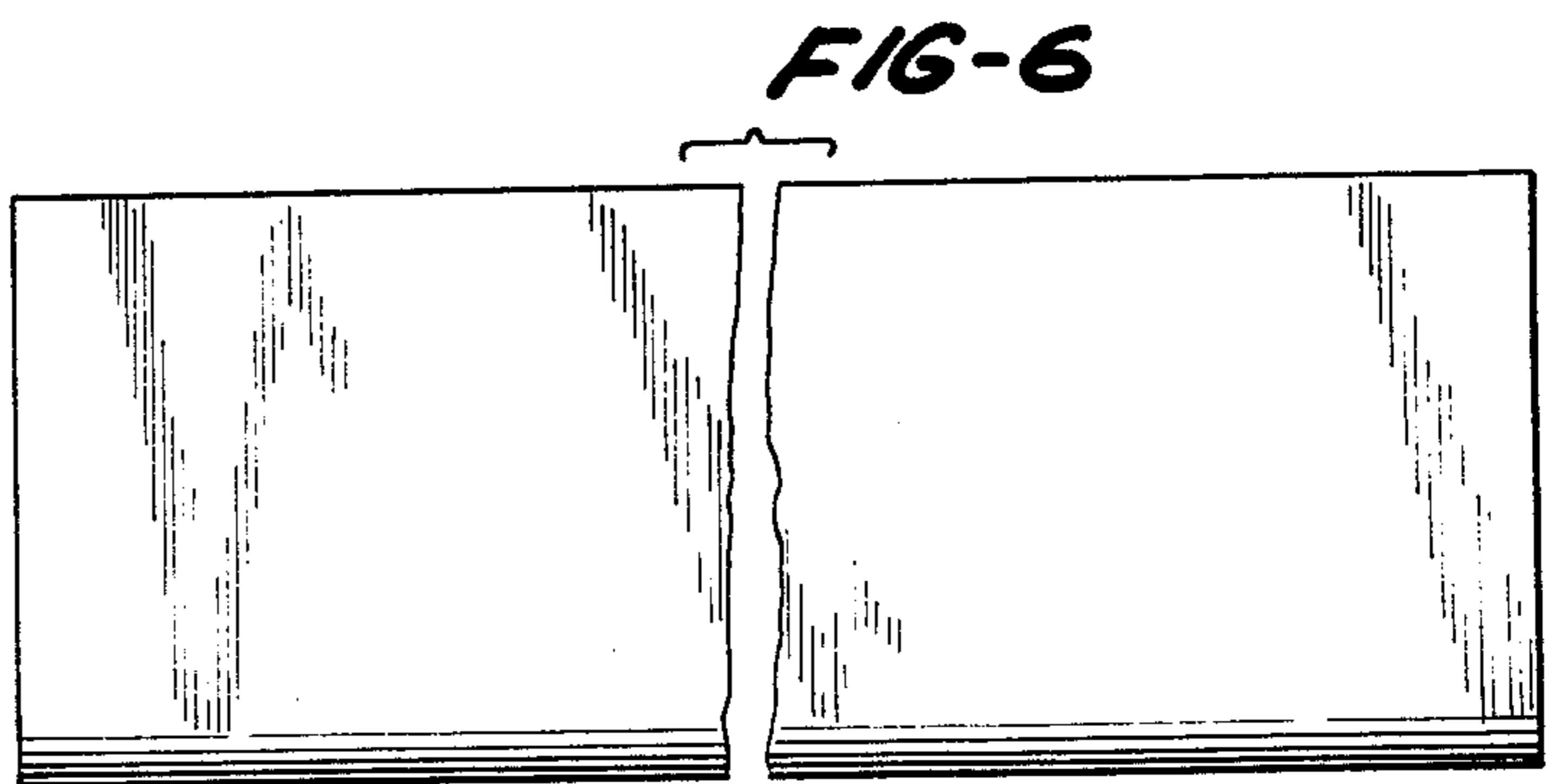


FIG-6