

**United States Patent** [19]  
**Winter**

[11] **Patent Number: Des. 304,914**  
[45] **Date of Patent: \*\* Dec. 5, 1989**

[54] **AUTOMOBILE**

[75] **Inventor: Steven D. Winter, Agoura Hills, Calif.**

[73] **Assignee: Magna International (Canada) Inc., Ontario, Canada**

[\*\*] **Term: 14 Years**

[21] **Appl. No.: 129,687**

[22] **Filed: Dec. 7, 1987**

[52] **U.S. Cl. .... D12/91**

[58] **Field of Search ..... D12/90, 91, 92; 296/185**

[56]

**References Cited**

**U.S. PATENT DOCUMENTS**

D. 252,389 7/1979 Dedeken ..... D12/90  
D. 283,603 4/1986 Reed et al. .... D12/90  
D. 296,196 6/1988 Fujimura ..... D12/90  
D. 297,919 10/1988 Ottina ..... D12/90

*Primary Examiner*—James M. Gandy  
*Attorney, Agent, or Firm*—Jack C. Munro

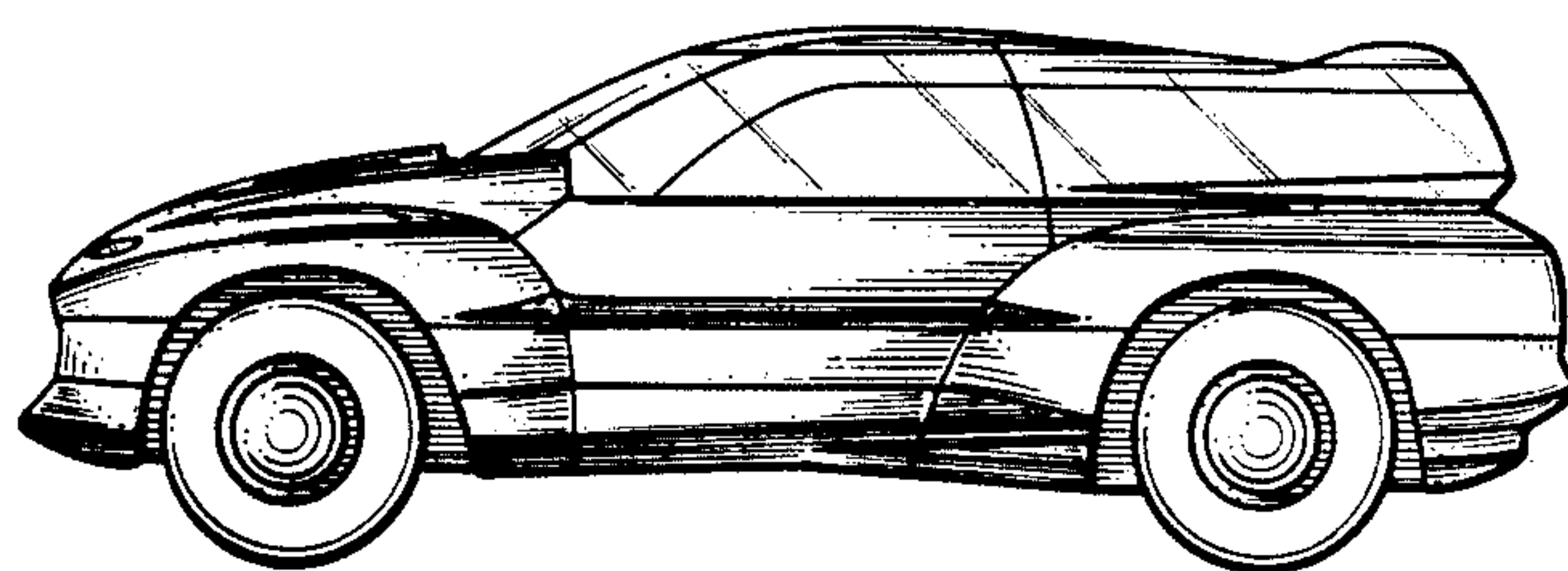
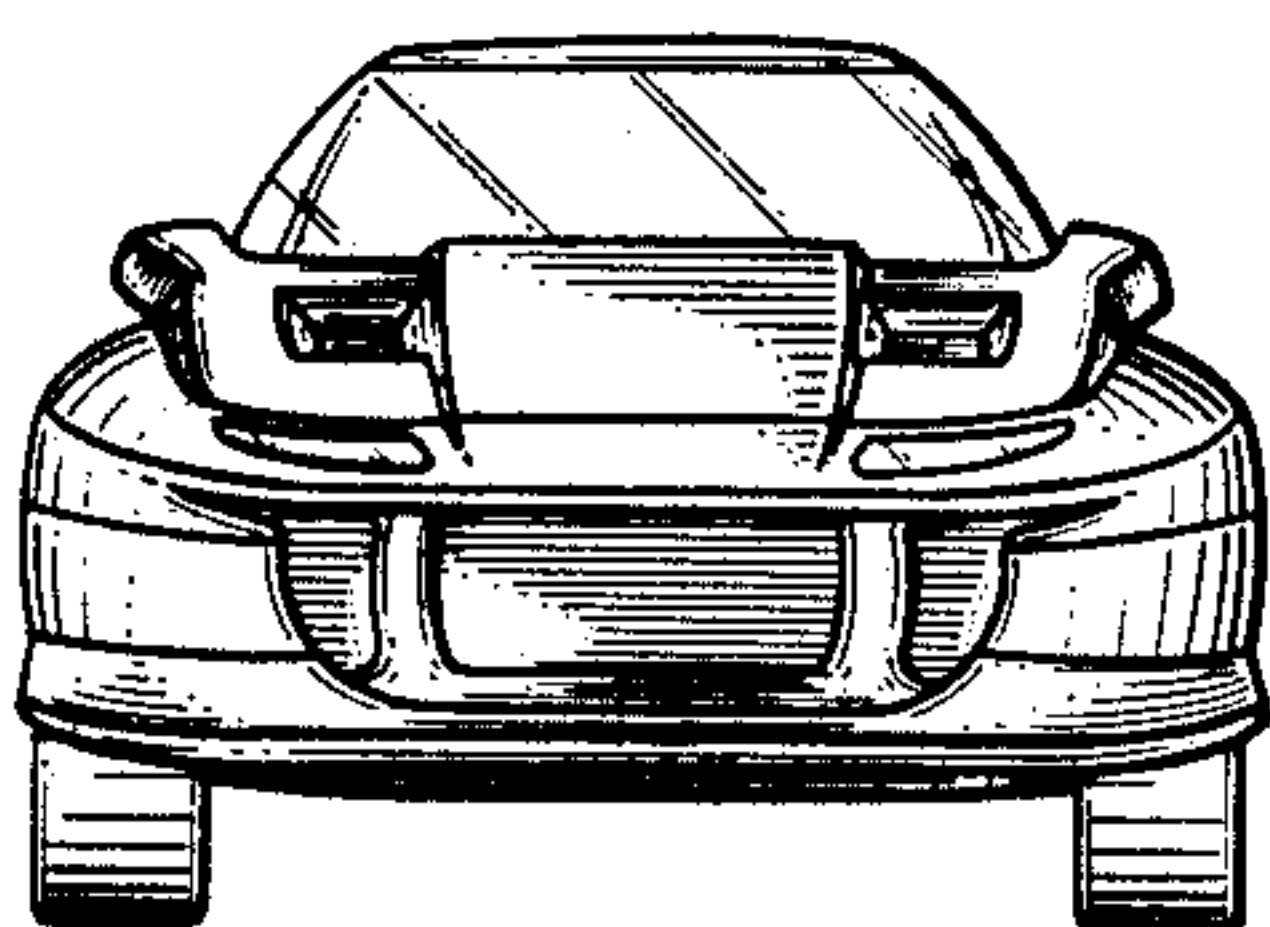
[57]

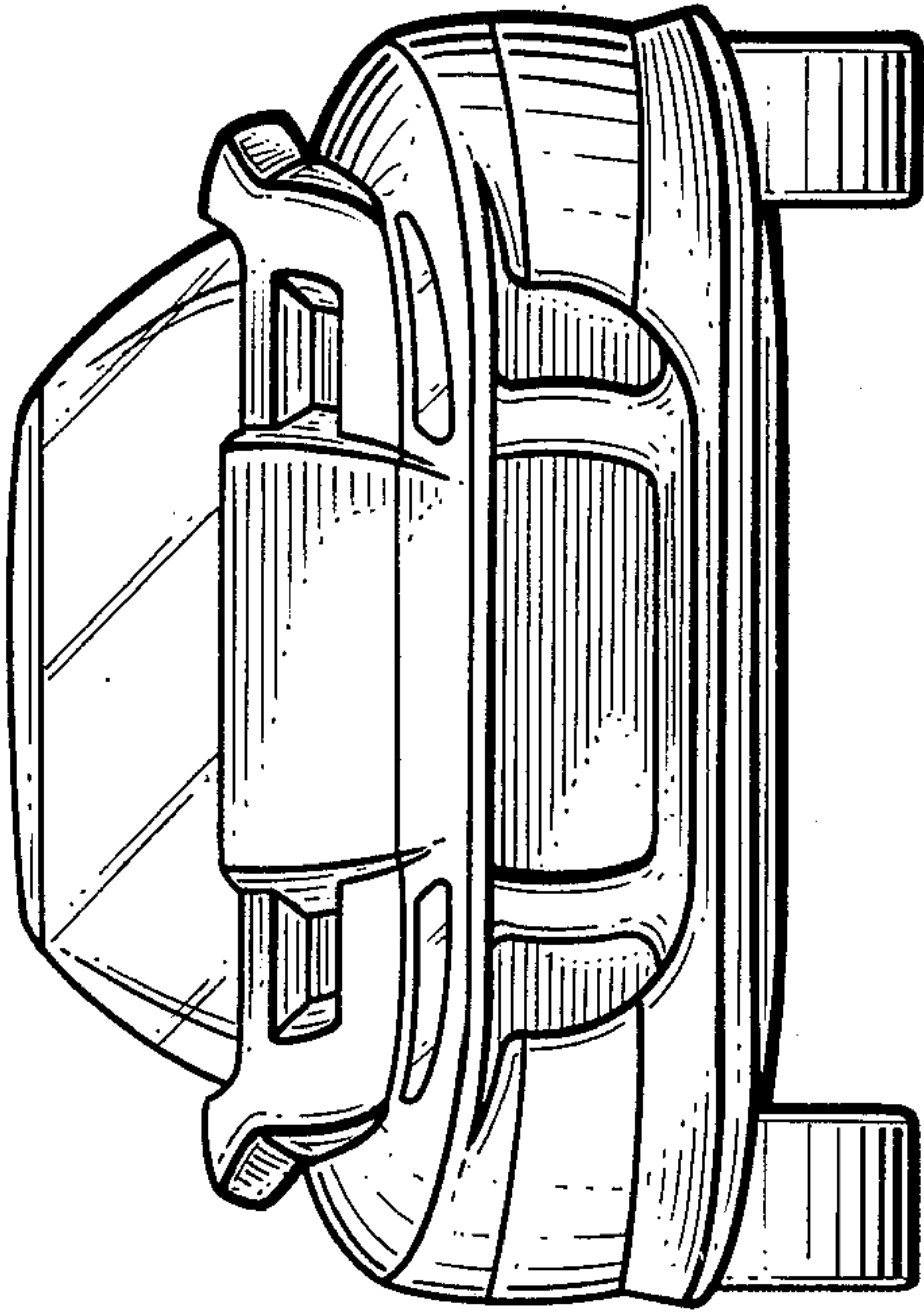
**CLAIM**

The ornamental design for an automobile, as shown and described.

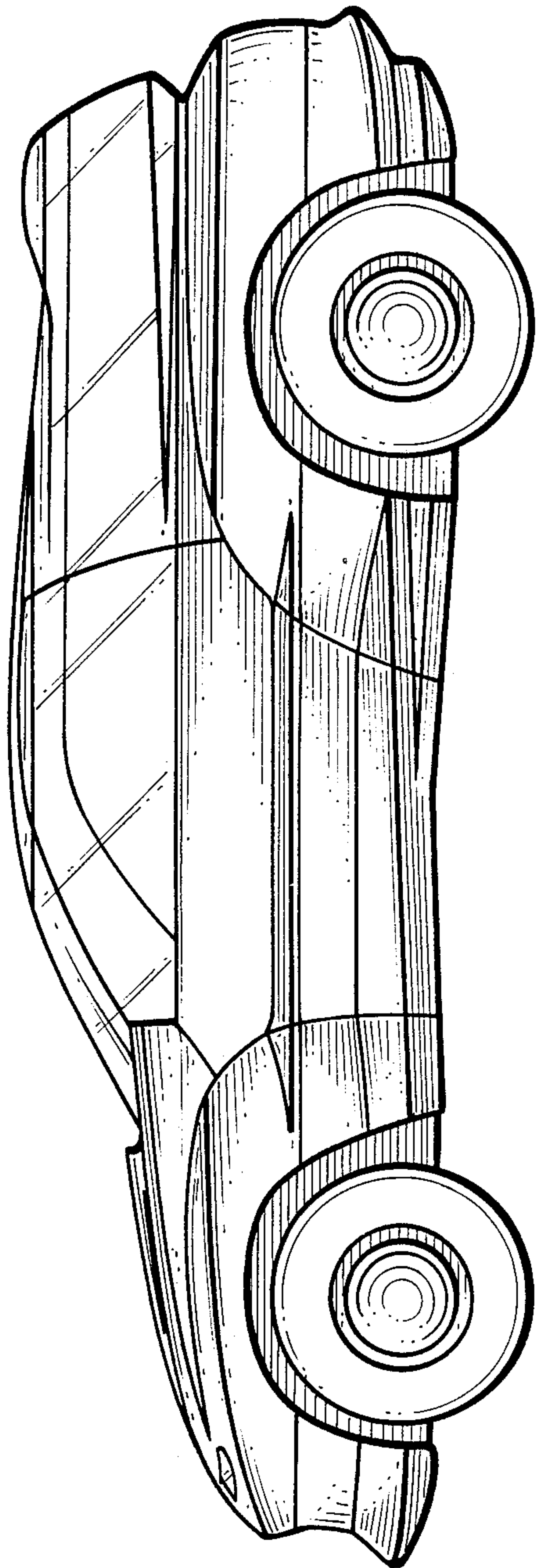
**DESCRIPTION**

FIG. 1 is a front elevation view of an automobile showing my new design;  
FIG. 2 is a side elevation view thereof, the opposite side being a mirror image of that shown;  
FIG. 3 is a rear elevation view thereof; and  
FIG. 4 is a top plan view thereof.





*Fig. 1.*



*Fig. 2.*

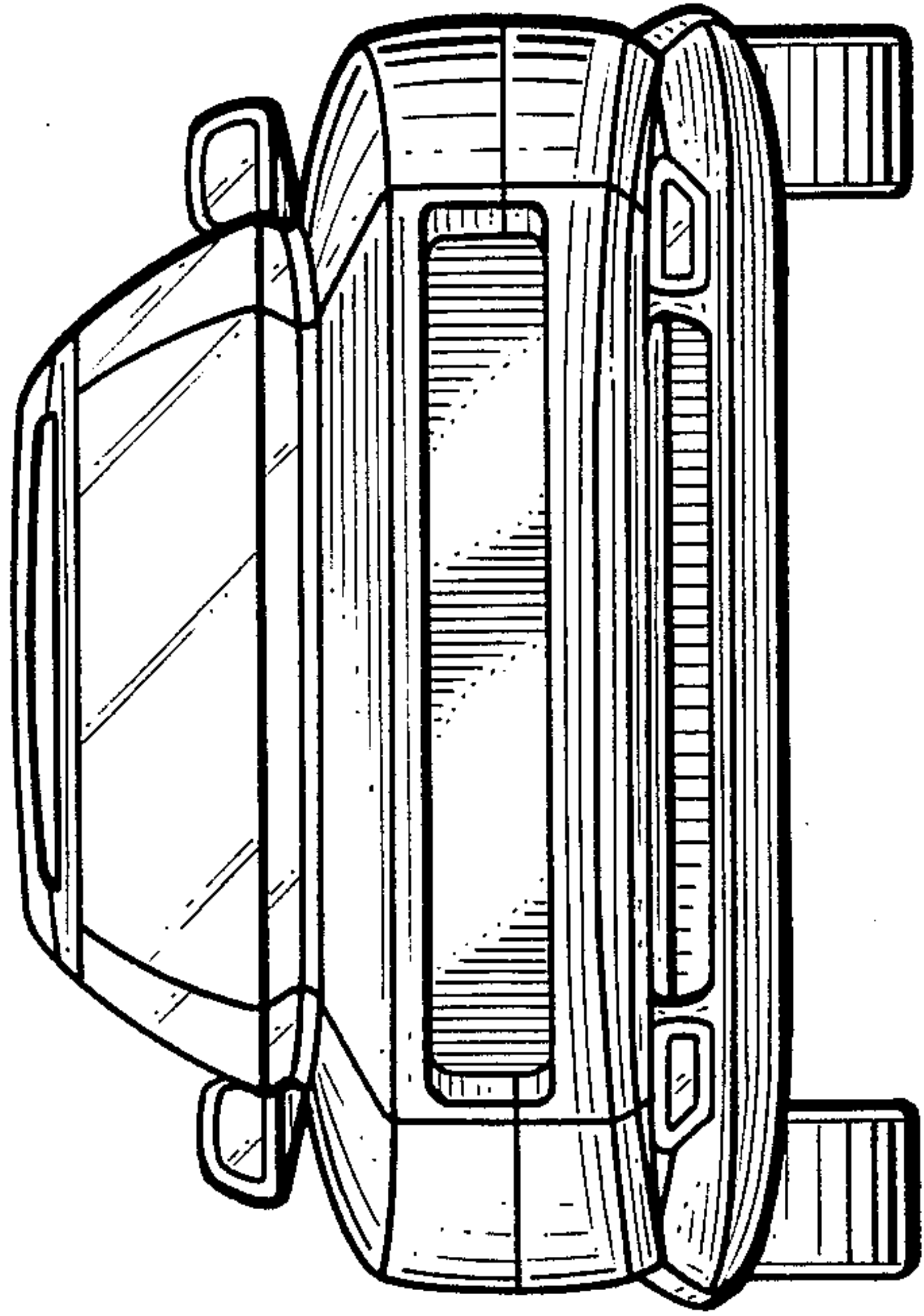


Fig. 3.

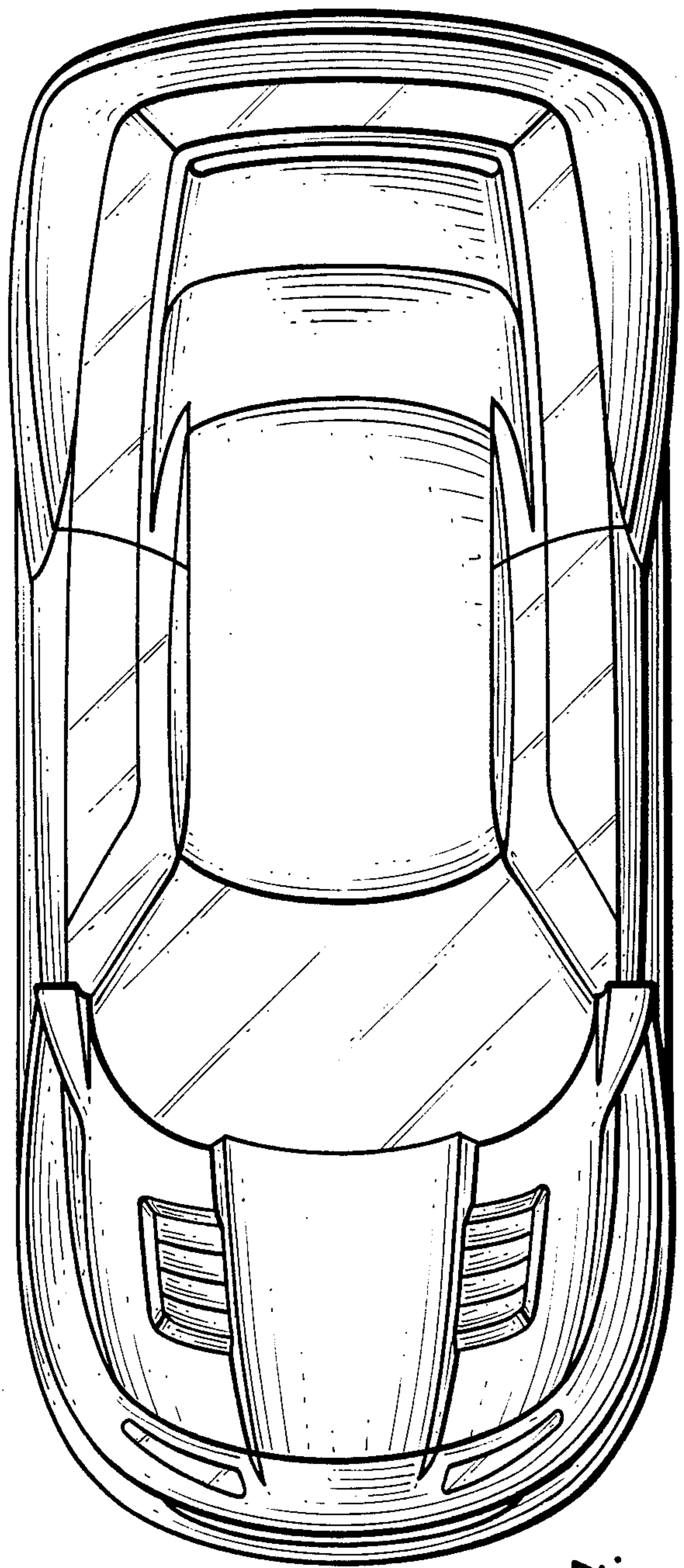


Fig. 4.