

[54] CONTROLLED ENVIRONMENT CHAMBER FOR PLANT PROPAGATION, BIOLOGICAL TESTING OR THE LIKE

3,951,079 4/1976 Tolleson D7/4

[76] Inventors: Alan C. Cassells, Bridge House, Ghileen, Whitegate, County Cork; Alan D. Rynhart, Tamney, Delgany, County Wicklow, both of Ireland

OTHER PUBLICATIONS

American Nurseryman; 7/1/1974; p. 163; Terra-Sphere Terrarium.

Gift & Art Shop; Apr. 1932; p. 62; muffin stand.

Primary Examiner—B. J. Bullock

Attorney, Agent, or Firm—Scully, Scott, Murphy & Presser

[**] Term: 14 Years

[21] Appl. No.: 8,921

[57] CLAIM

[22] Filed: Jan. 30, 1987

The ornamental design for a controlled environment chamber for plant propagation, biological testing or the like, as shown and described.

[30] Foreign Application Priority Data

Sep. 18, 1986 [GB] United Kingdom 1036781

[52] U.S. Cl. D11/145; D15/144.1; D30/101

[58] Field of Search D11/143, 145; D23/364, D23/371, 376; 47/1 R, 1.3, 17, 69; D30/101; D15/144.1; D7/4

DESCRIPTION

FIG. 1 is a front perspective view of the controlled environment chamber for plant propagation, biological testing or the like showing our new design;

FIG. 2 is a right side view thereof, the left side being a mirror image thereof;

FIG. 3 is a rear view thereof;

FIG. 4 is a top view thereof;

FIG. 5 is a bottom view thereof; and

FIG. 6 is a front perspective view of a second embodiment of the design of FIG. 1, the only difference being the inclusion of a shelf unit.

[56] References Cited

U.S. PATENT DOCUMENTS

- D. 199,683 12/1964 Walters D11/145
- D. 268,444 3/1983 Young D11/145
- D. 289,355 4/1987 Paulides D30/101
- D. 300,067 2/1989 Smith et al. D30/101

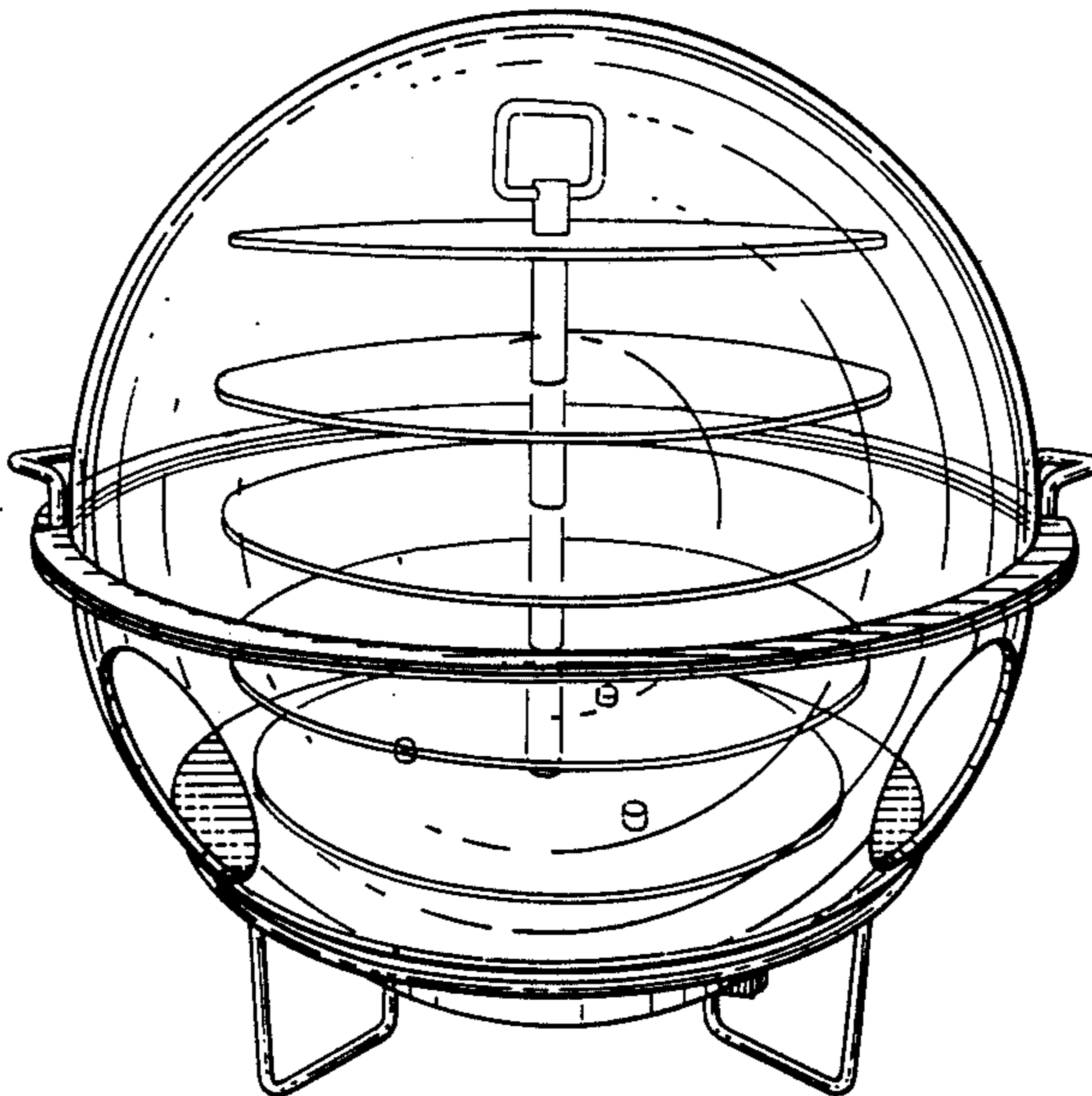


FIG. 1.

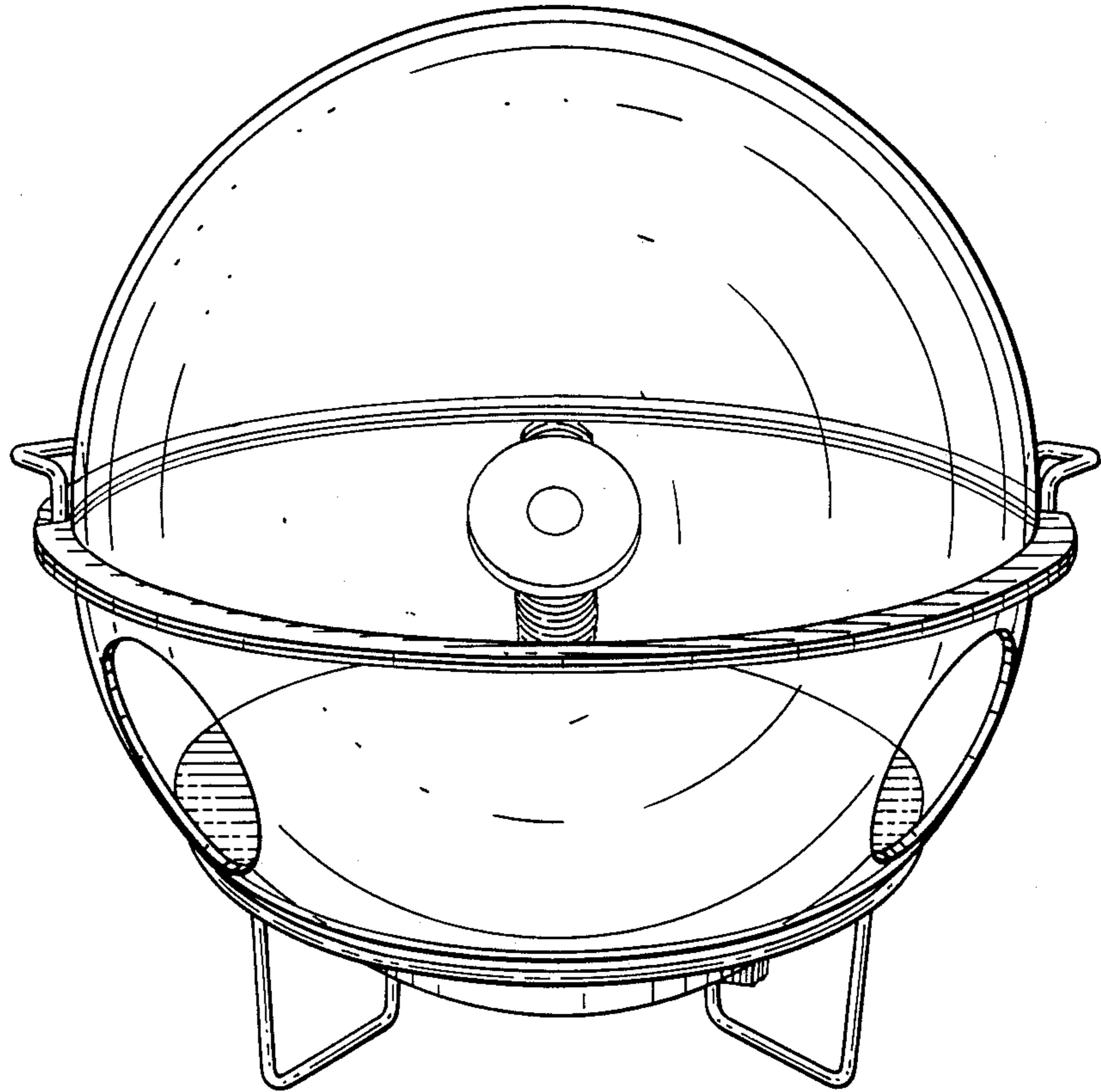


FIG. 2.

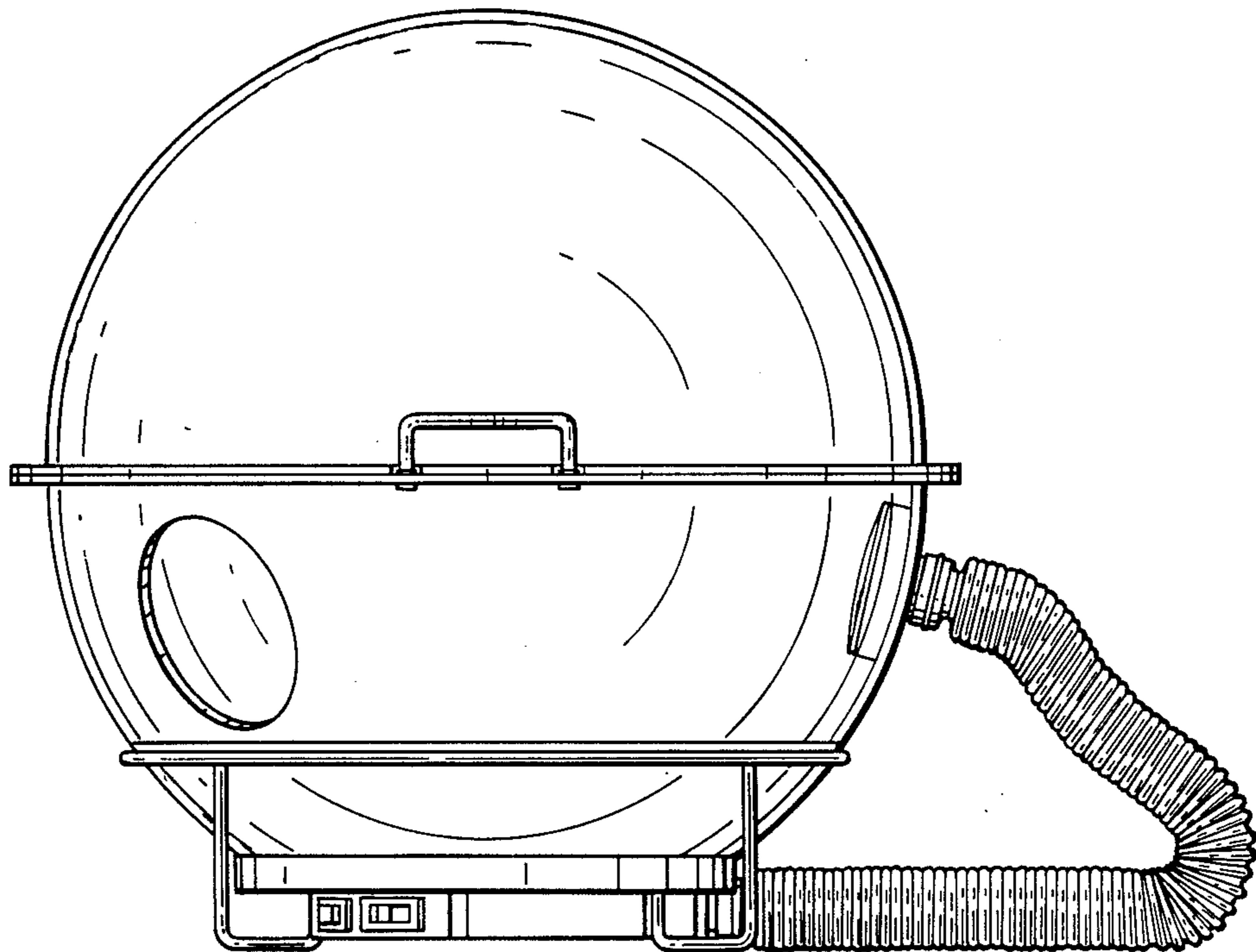


FIG. 3.

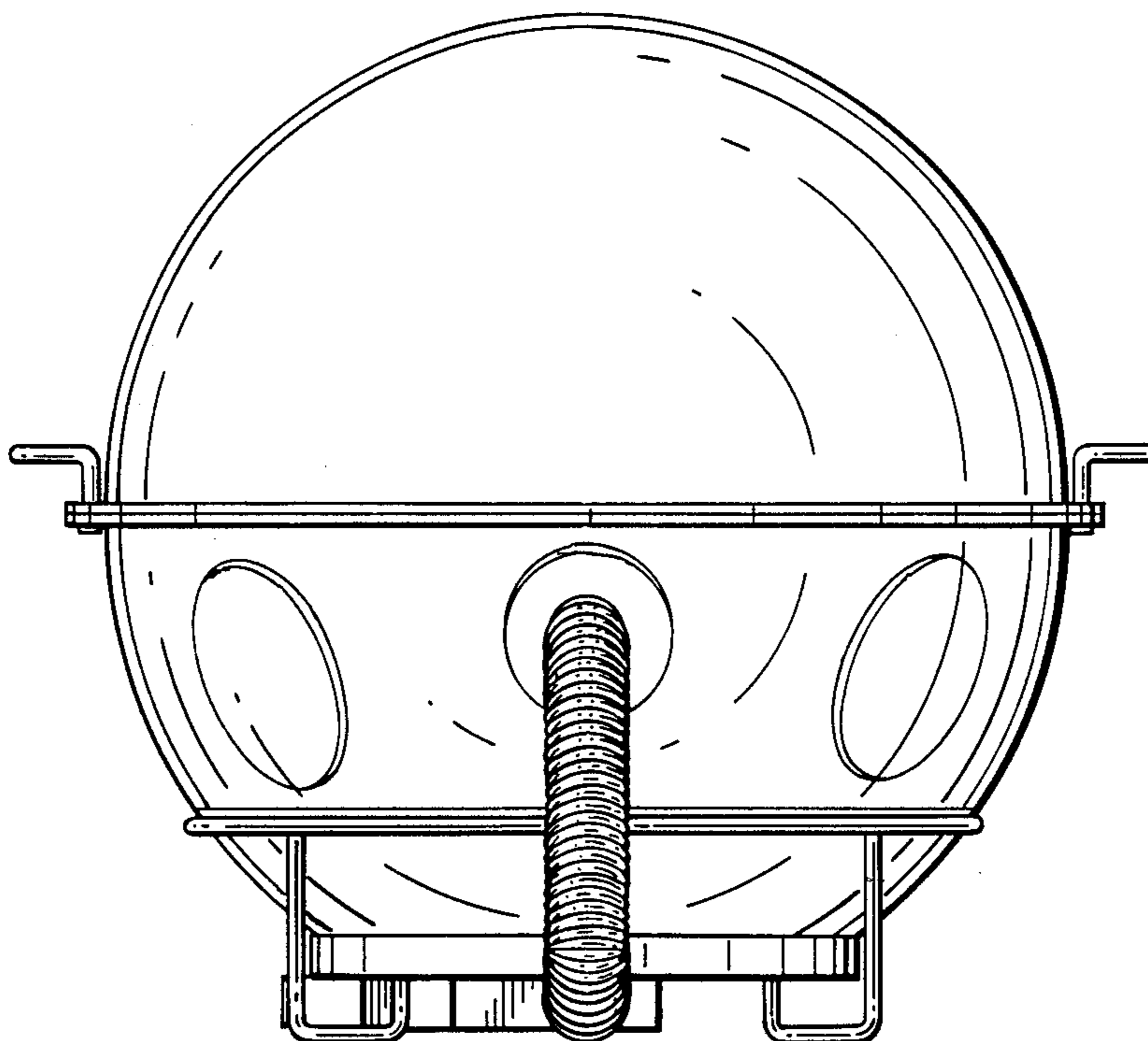


FIG. 4.

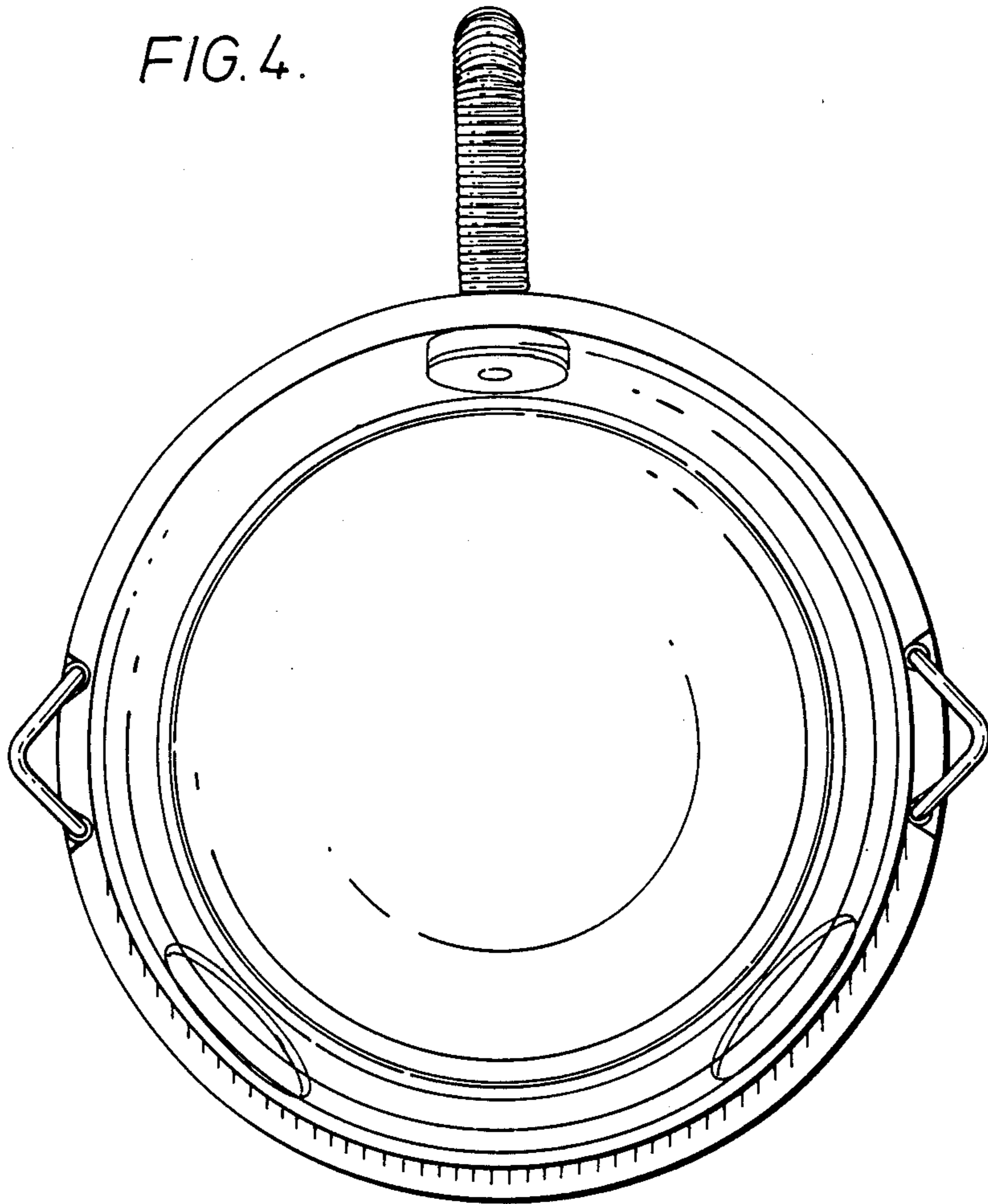


FIG. 5.

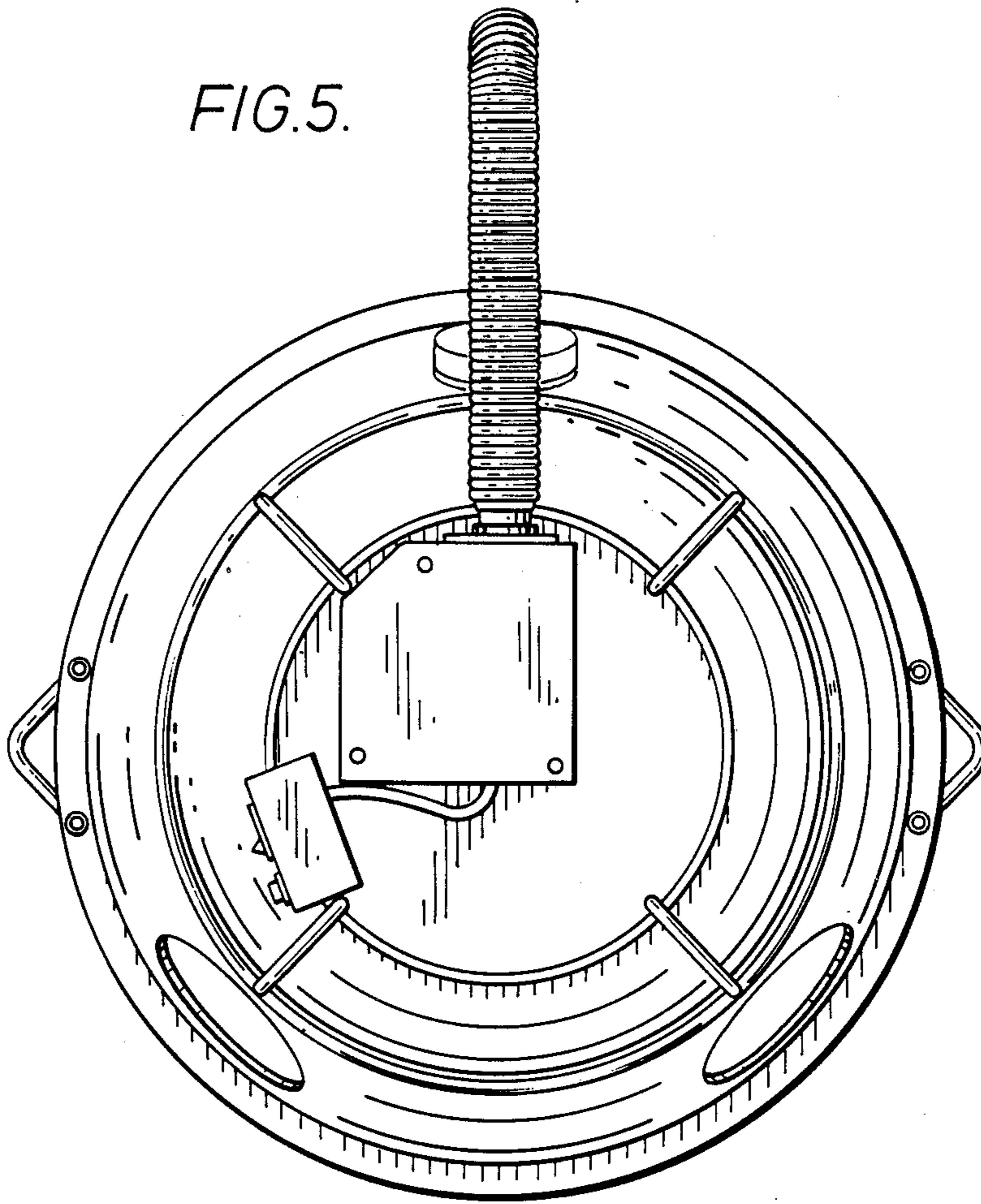


FIG. 6.

