

[54] **CLOSET HANGER ROD CONNECTOR**

[76] **Inventor: Russell F. Kercher, 820 N. Santa Fe Ave., #3, Vista, Calif. 92083**

[**] **Term: 14 Years**

[21] **Appl. No.: 231,973**

[22] **Filed: Aug. 15, 1988**

[52] **U.S. Cl. D8/380; D8/382; D8/396; D23/262**

[58] **Field of Search D8/382, 396, 373, 376, D8/380; D23/259, 262, 265; 403/187, 192, 197, 286, 405.1, 230, 233, 235, 237, 205, 191, 198**

[56] **References Cited**

U.S. PATENT DOCUMENTS

862,246	8/1907	Gutelius	403/237
1,074,628	10/1913	Kirkbride	403/235
1,569,358	1/1926	Cross	403/205
2,885,462	5/1959	Sylvester	403/191

3,972,639	8/1976	Lening	403/235
4,484,832	11/1984	Weissenberger	403/205
4,721,407	1/1988	Liu	403/198

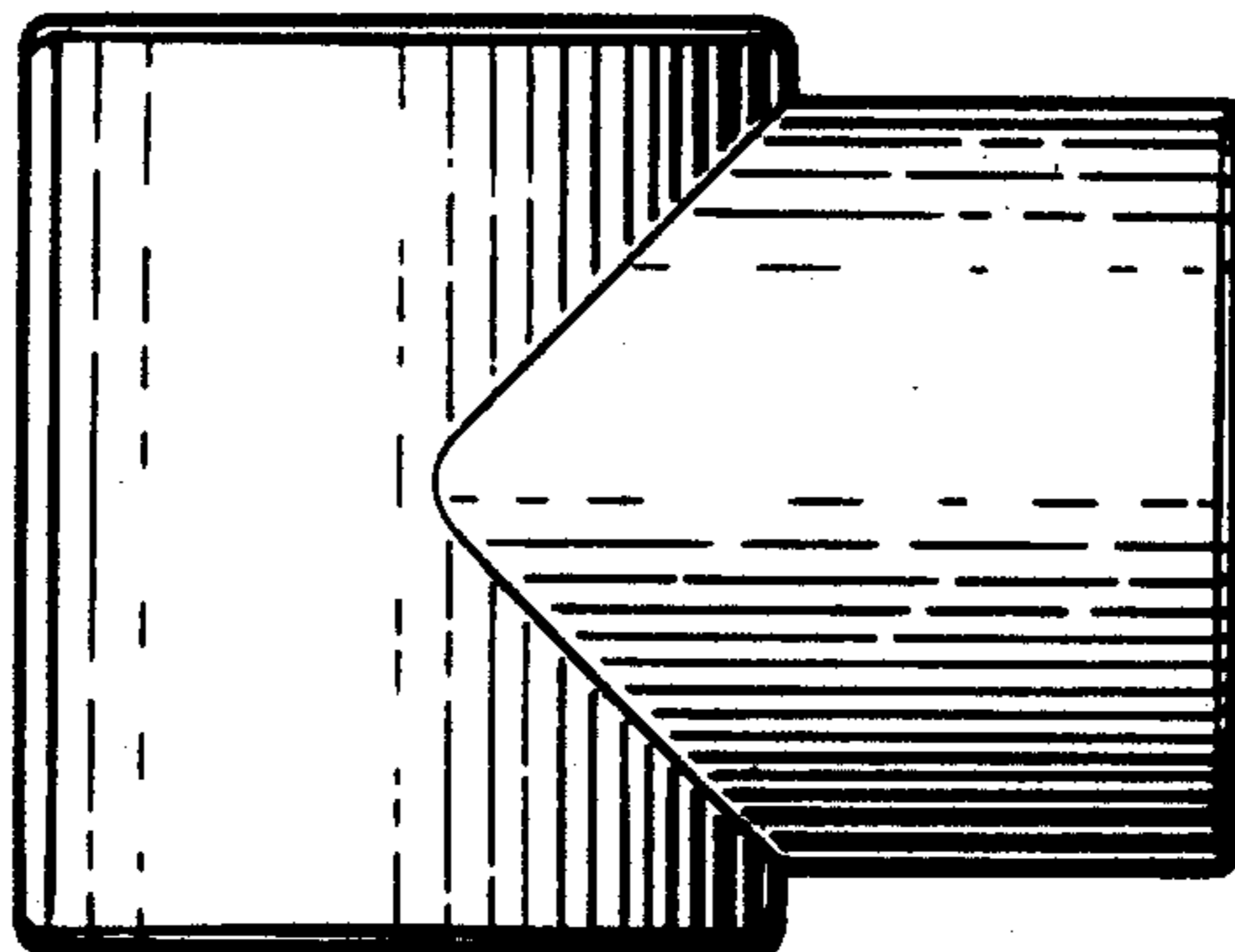
Primary Examiner—B. J. Bullock
Attorney, Agent, or Firm—John J. Murphey

[57] **CLAIM**

The ornamental design for a closet hanger rod connector, as shown and described.

DESCRIPTION

FIG. 1 is a top view of my closet hanger rod connector showing my new design;
FIG. 2 is a front view thereof;
FIG. 3 is a right side view thereof, the left side being a mirror image;
FIG. 4 is a rear view thereof;
FIG. 5 is a bottom plan view thereof;
FIG. 6 is a perspective view thereof, the hanger rods being shown in broken lines for illustrative purposes only.



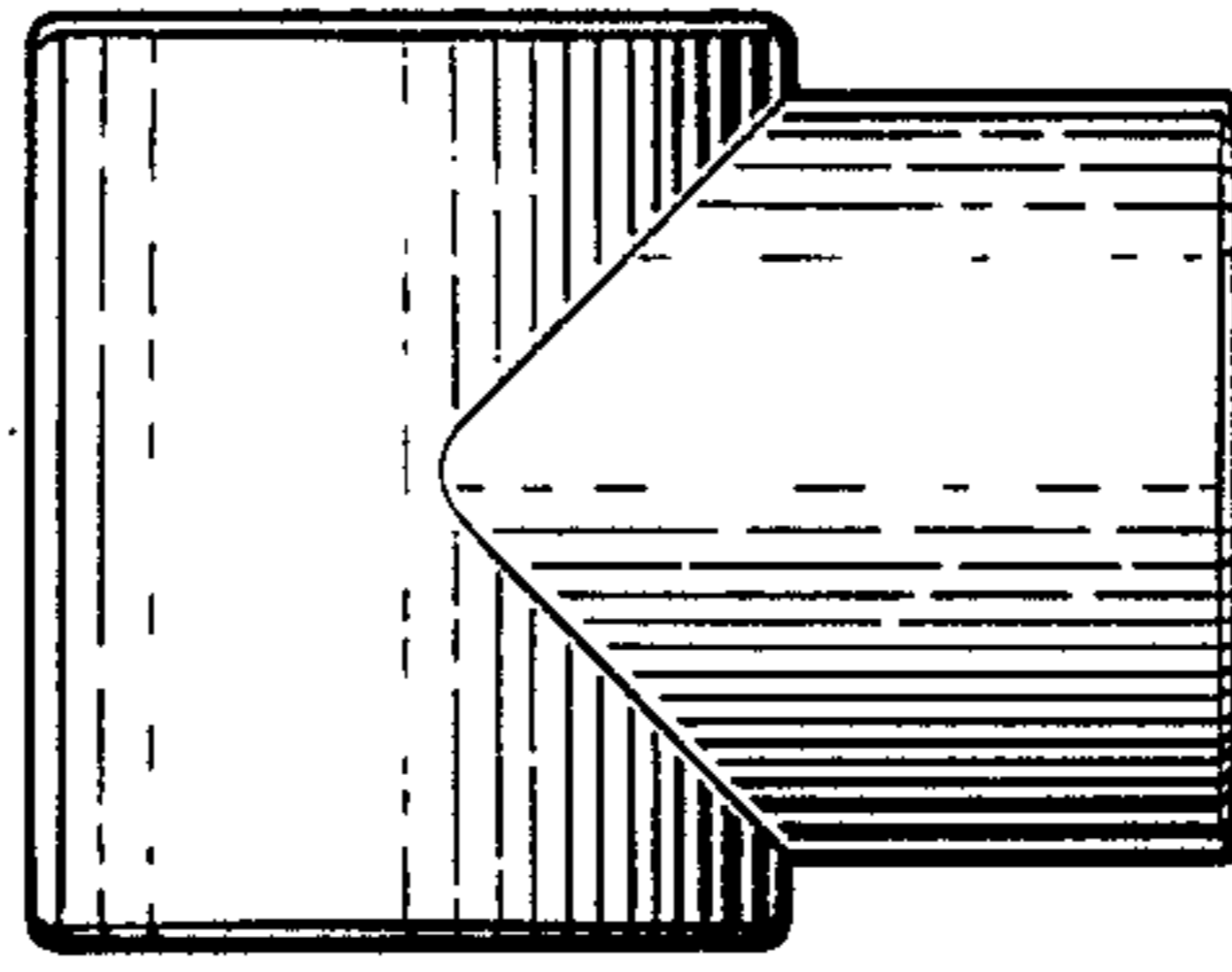


FIG. 1

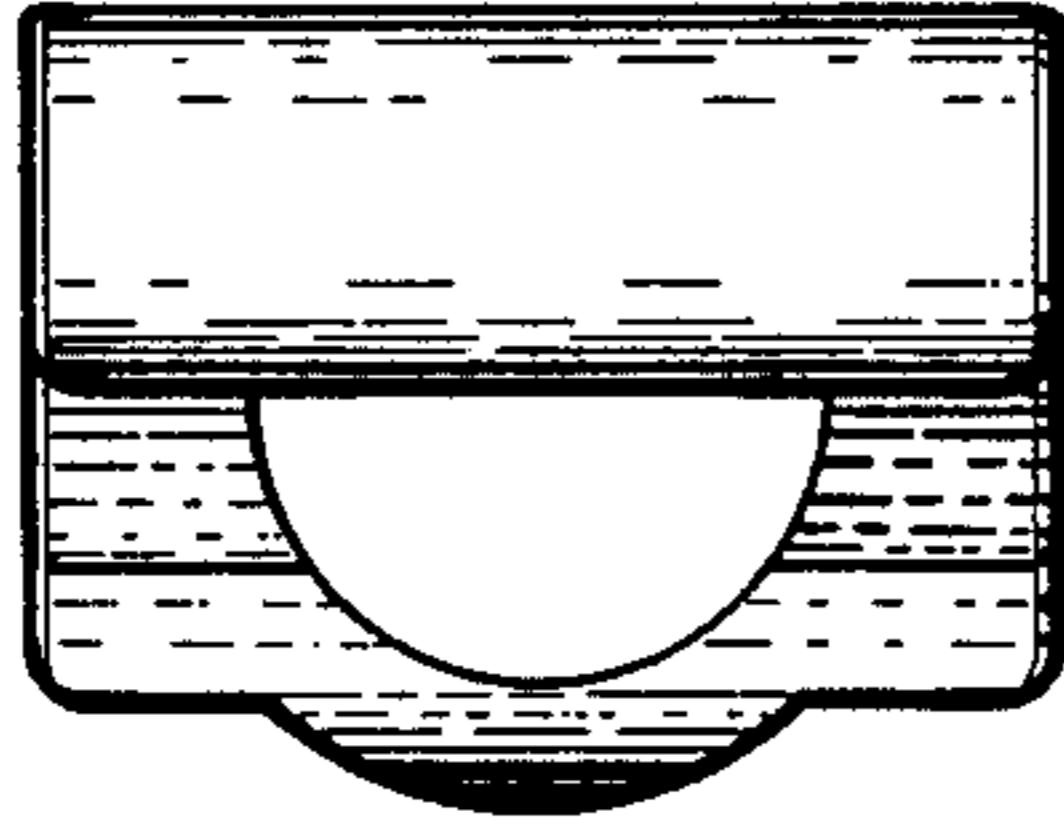


FIG. 2

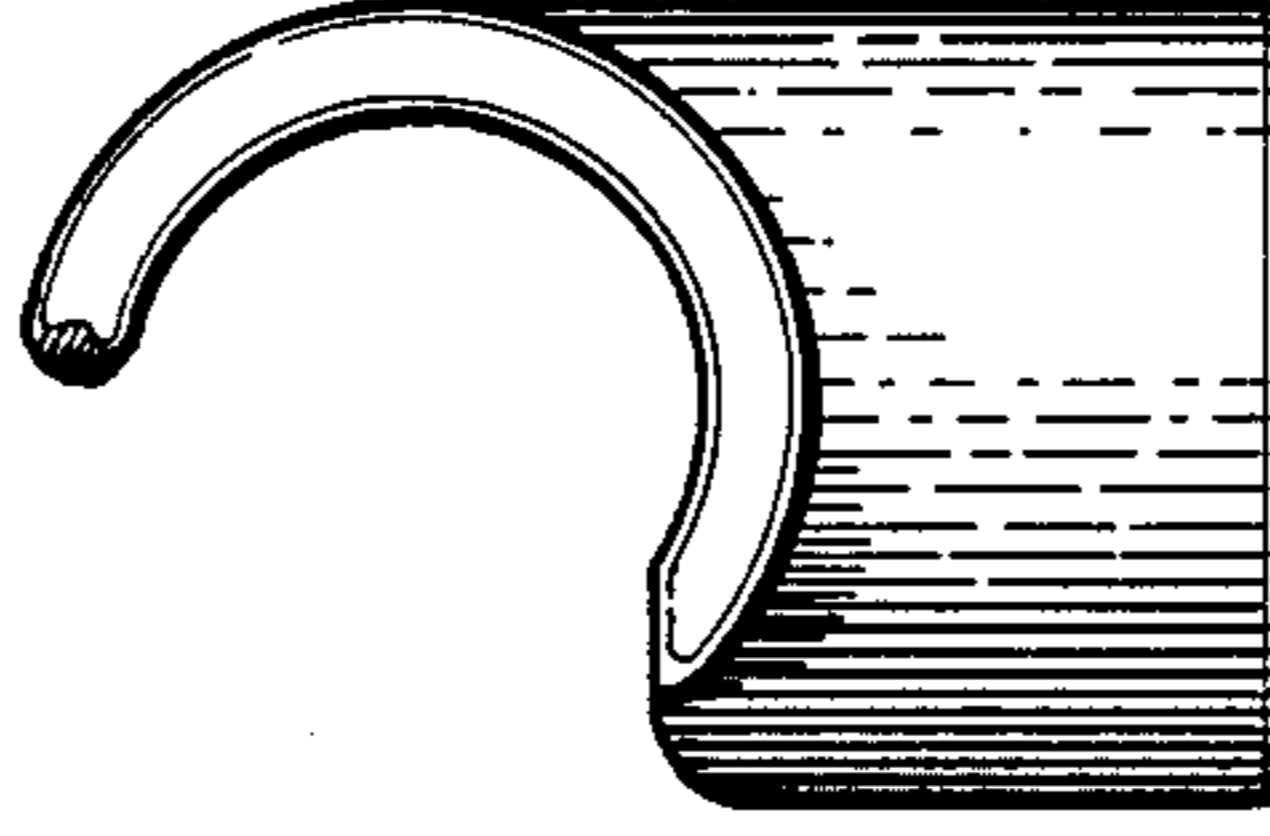


FIG. 3

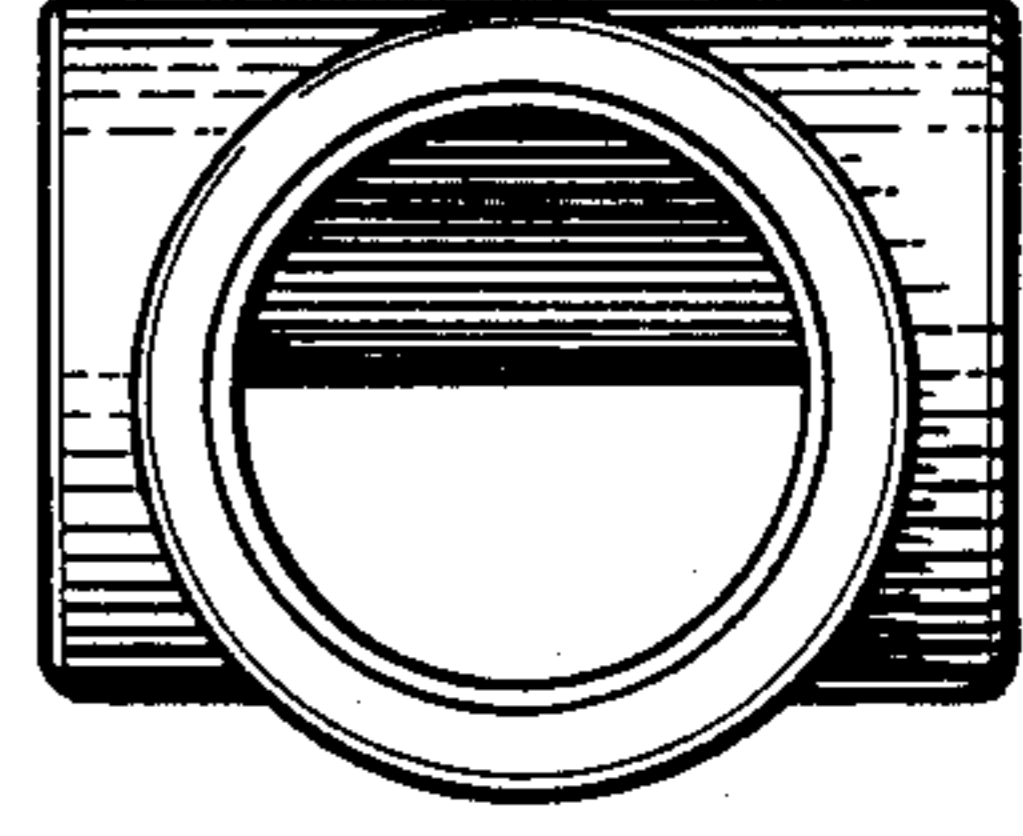


FIG. 4

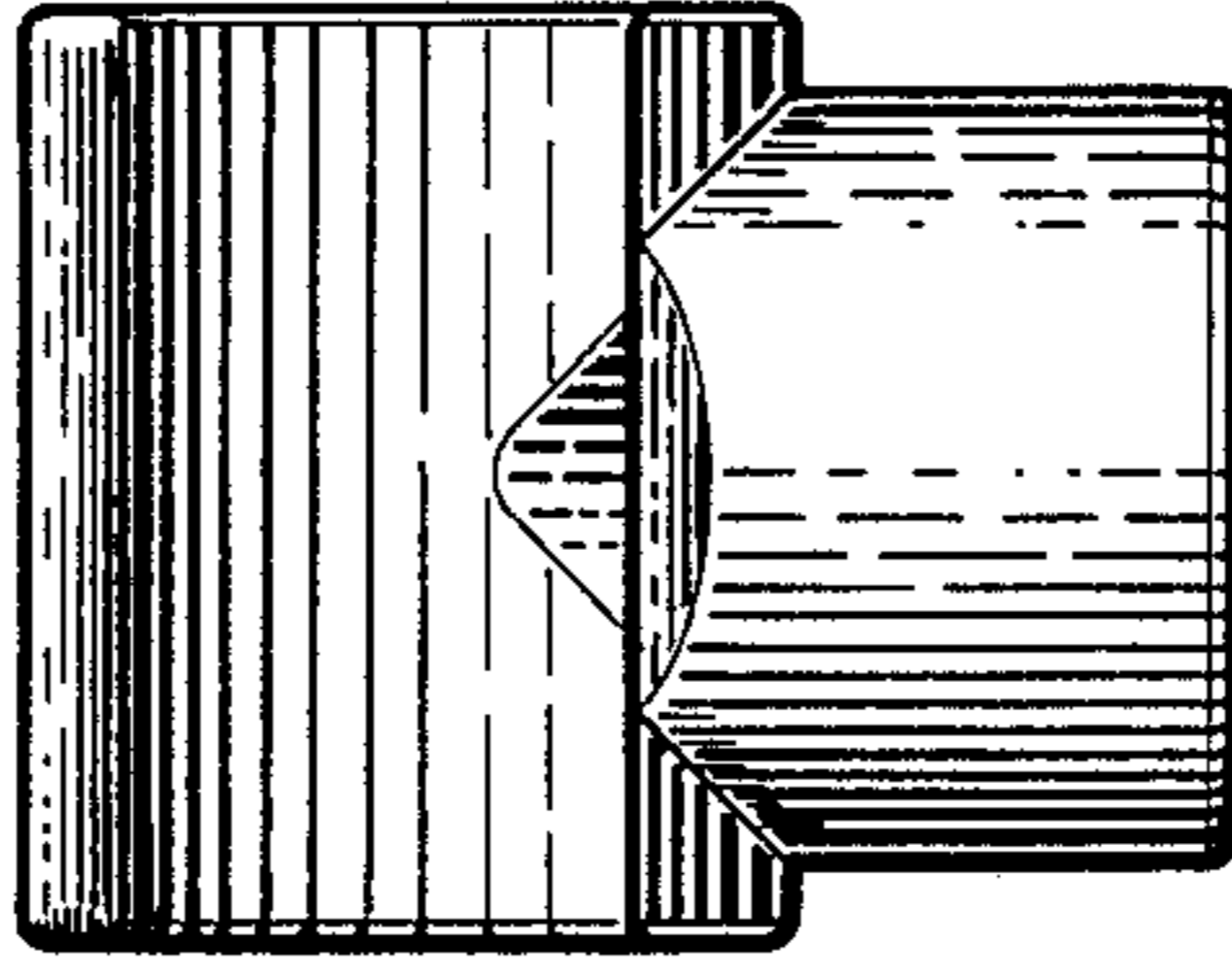


FIG. 5

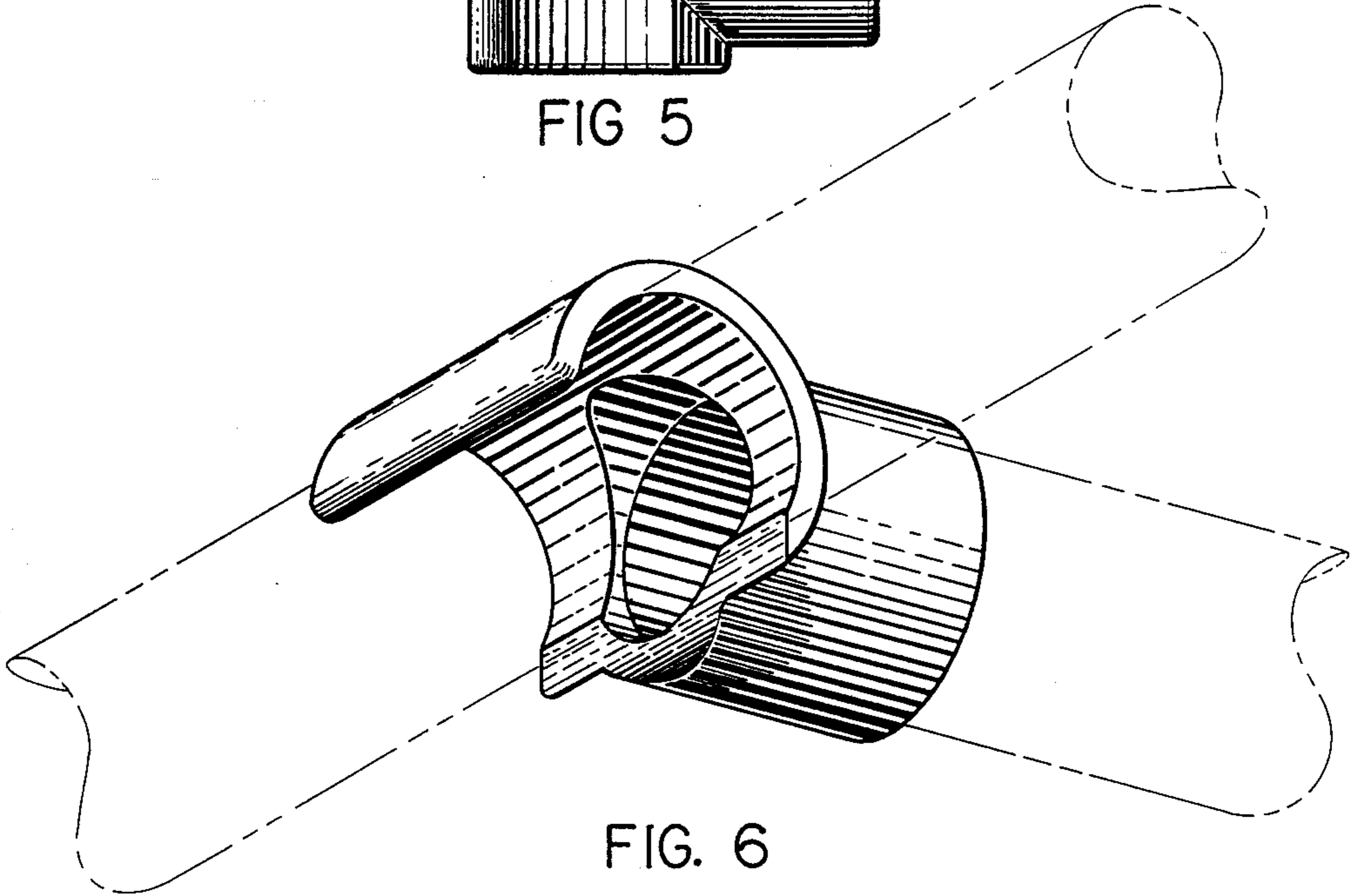


FIG. 6