

# United States Patent [19]

Leszczak et al.

[11] Patent Number: **Des. 304,903**

[45] Date of Patent: **\*\* Dec. 5, 1989**

[54] STAPLER

[75] Inventors: **John Leszczak**, Roselle Park, N.J.;  
**Robert B. Staubitz**, Avon; **William H. Valls**, Harwinton, both of Conn.

[73] Assignee: **Bates Manufacturing Company**,  
Hackettstown, N.J.

[\*\*] Term: **14 Years**

[21] Appl. No.: **6,029**

[22] Filed: **Jan. 21, 1987**

[52] U.S. Cl. .... **D8/50**

[58] Field of Search ..... **D8/49, 50; 227/120,  
227/128**

[56]

## References Cited

### U.S. PATENT DOCUMENTS

D. 297,300 8/1988 McDermott et al. .... D8/50

*Primary Examiner*—Bernard Ansher  
*Assistant Examiner*—Terry A. Pfeffer  
*Attorney, Agent, or Firm*—Weingram & Zall

[57]

## CLAIM

The ornamental design for stapler, as shown and described.

## DESCRIPTION

FIG. 1 is a perspective view from upper left front of the stapler showing our new design;  
FIG. 2 is a front elevational view thereof;  
FIG. 3 is a rear elevational view thereof;  
FIG. 4 is a top plan view thereof;  
FIG. 5 is a left side elevational view thereof, the opposite side being a mirror image; and  
FIG. 6 is a bottom plan view thereof.

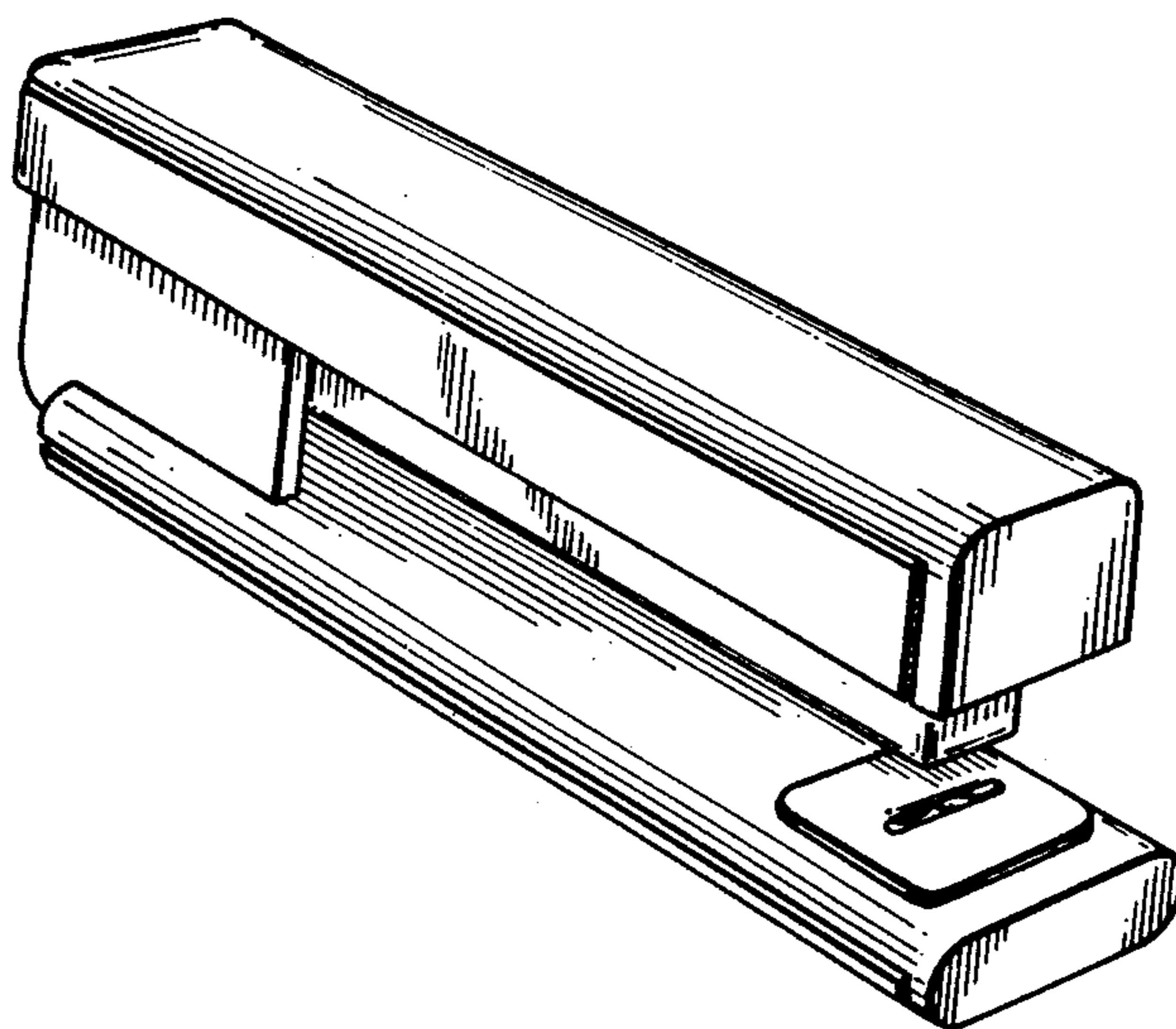


FIG-1

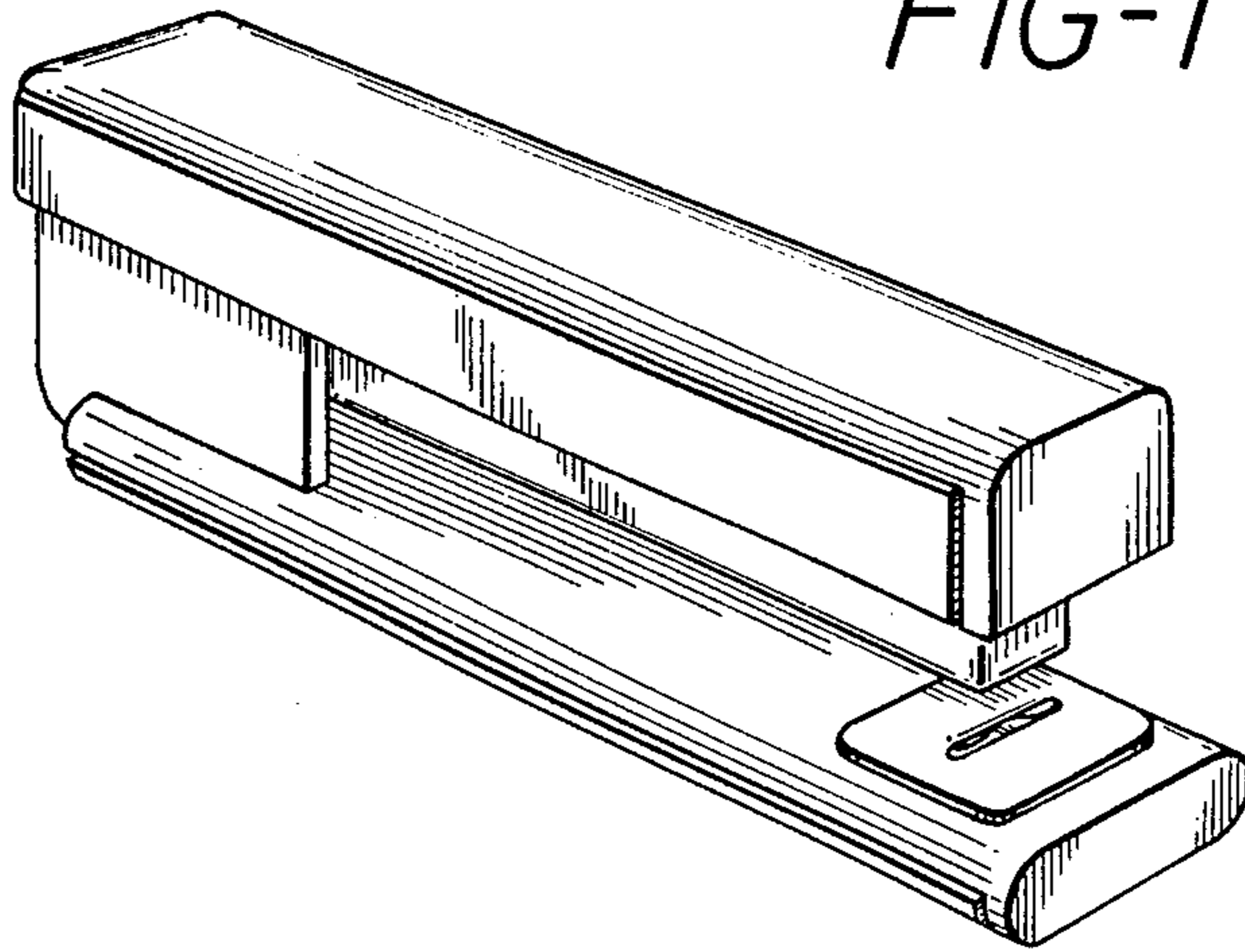


FIG-2

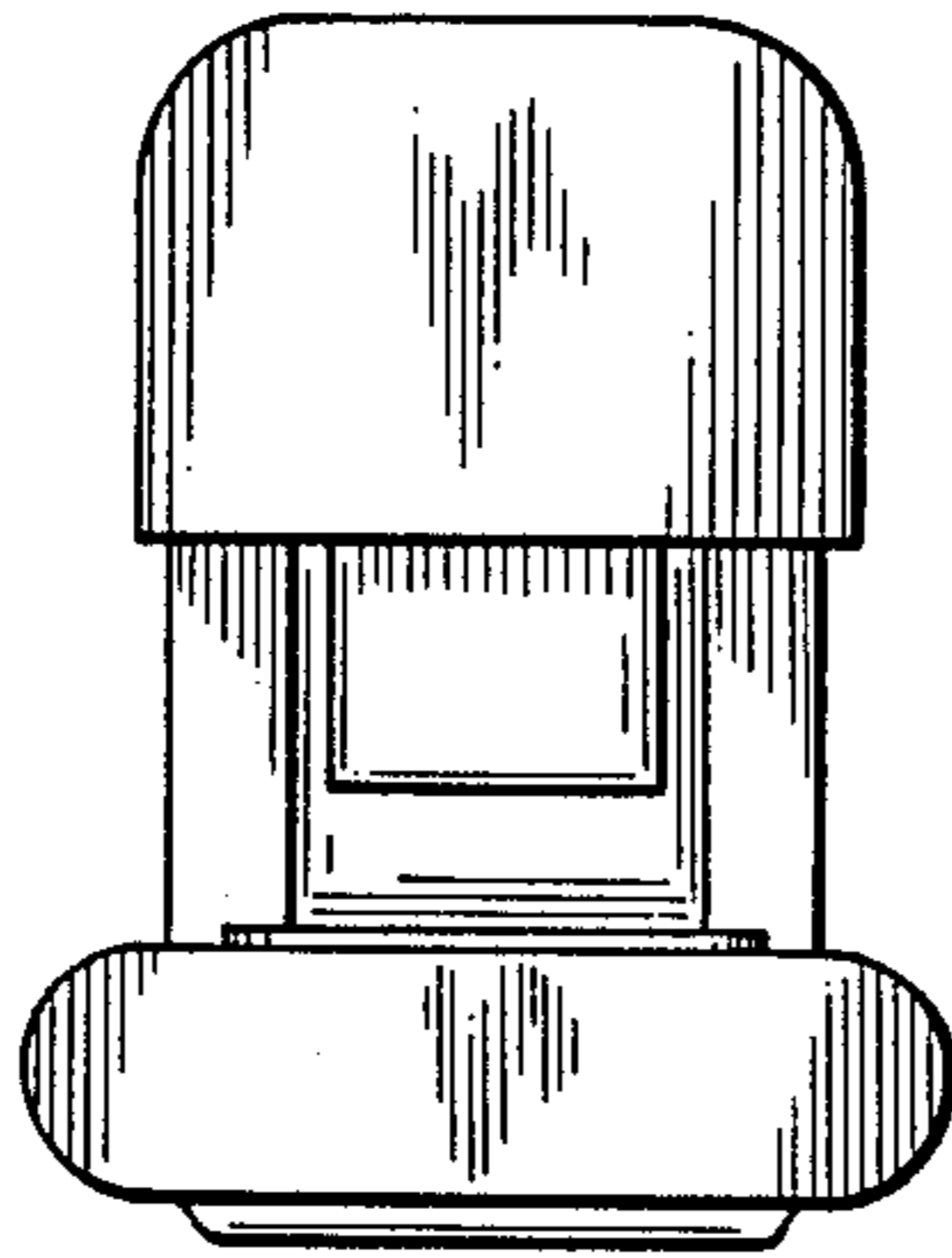


FIG-3

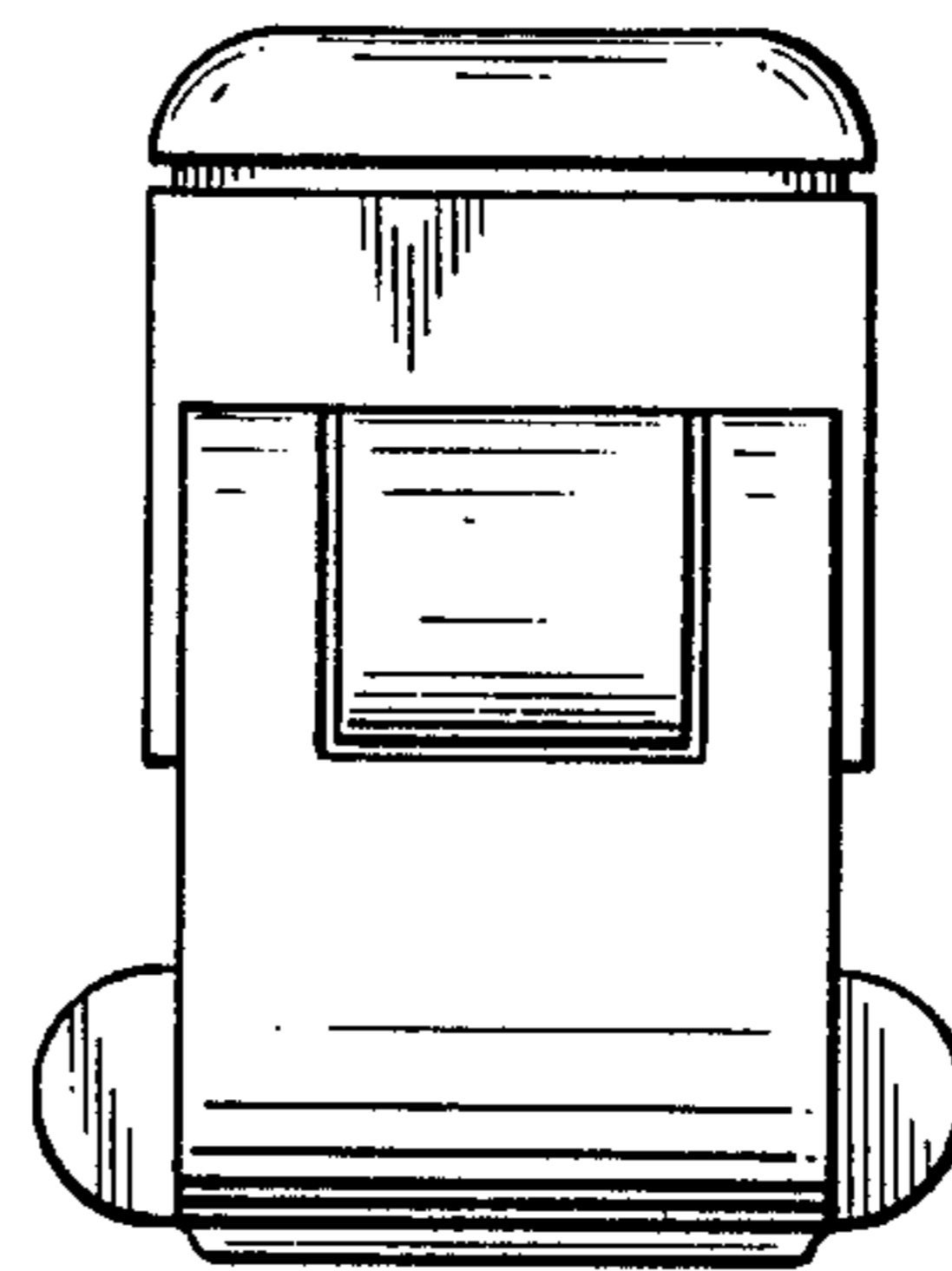


FIG-4

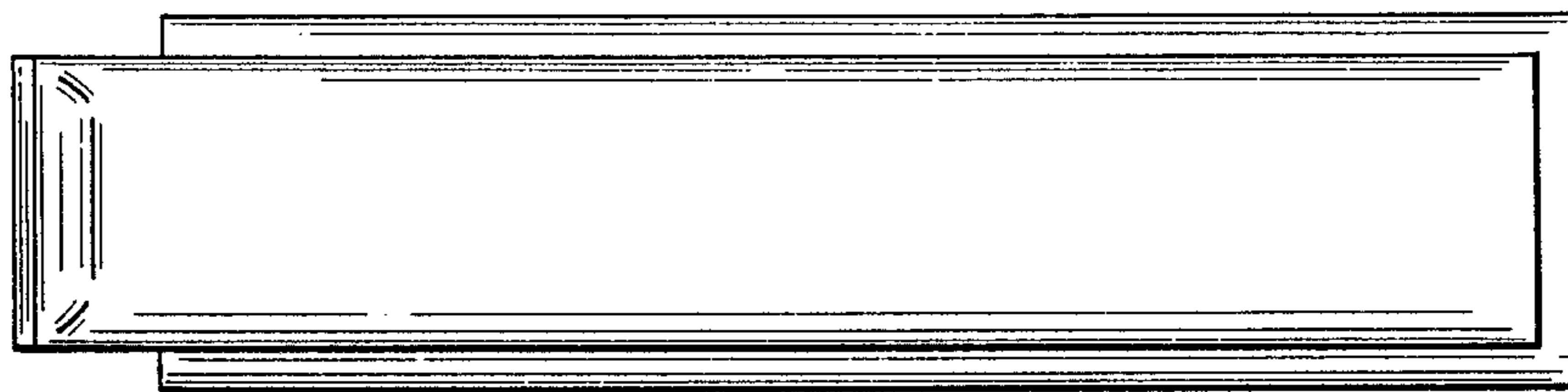


FIG-5

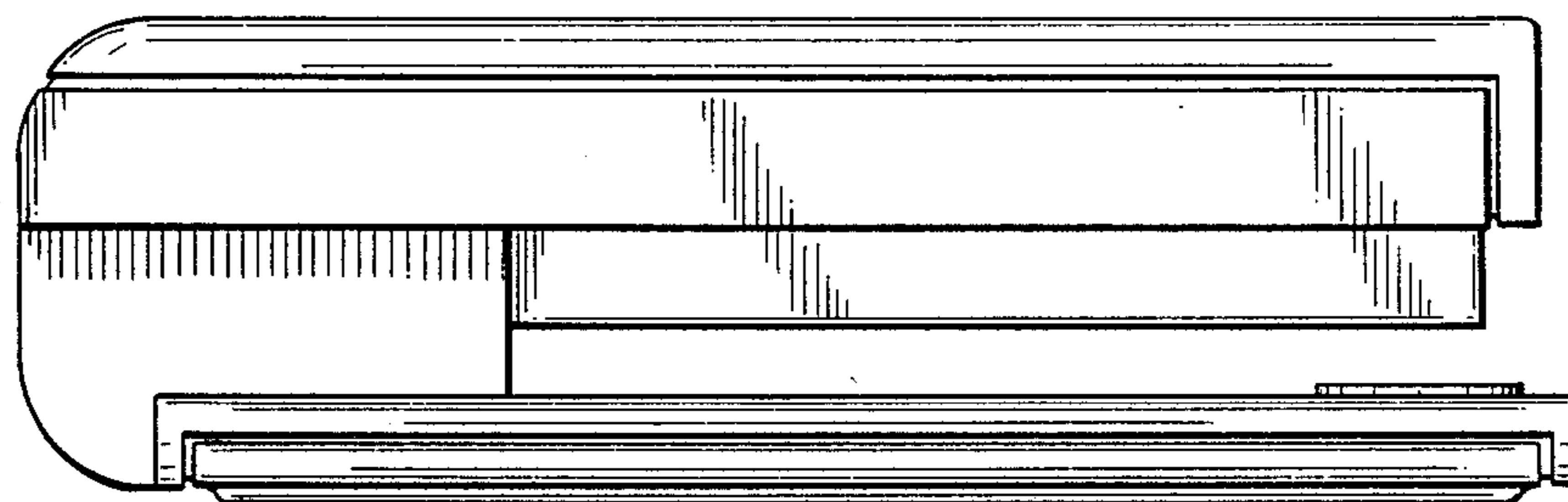


FIG-6

