

United States Patent [19]

Kozyrski et al.

[11] Patent Number: **Des. 304,901**

[45] Date of Patent: **** Dec. 5, 1989**

[54] POINT DRIVER

[75] Inventors: Vincent T. Kozyrski, Plainville; Alan R. Peters, Milford, both of Conn.

[73] Assignee: The Fletcher-Terry Company, Farmington, Conn.

[**] Term: 14 Years

[21] Appl. No.: 884,270

[22] Filed: Jul. 10, 1986

[52] U.S. Cl. D8/49

[58] Field of Search D8/49, 50, 61, 69; D24/23, 26; 227/130, 132, 146, 126, 120, DIG. 1

[56] **References Cited**

U.S. PATENT DOCUMENTS

D. 288,404 2/1987 Somers et al. D8/49

Primary Examiner—Bernard Ansher
Assistant Examiner—Terry A. Pfeffer

Attorney, Agent, or Firm—Ira S. Dorman

[57] **CLAIM**

The ornamental design for a point driver, as shown and described.

DESCRIPTION

FIG. 1 is a top, front right side perspective view of a point driver showing our new design, a stack of points being shown in broken line for illustrative purposes only and forming no part of the claimed design; FIG. 2 is a front elevational view thereof, with the points removed and the follower piece lowered into the magazine; FIG. 3 is a rear elevational view thereof; FIG. 4 is a left side elevational view thereof; FIG. 5 is a top plan view thereof; FIG. 6 is a right side elevational view thereof; FIG. 7 is a bottom plan view thereof; and FIG. 8 is a fragmentary perspective view thereof with the magazine in an alternate position, a stack of points being shown in broken line for illustrative purposes only and forming no part of the claimed design.

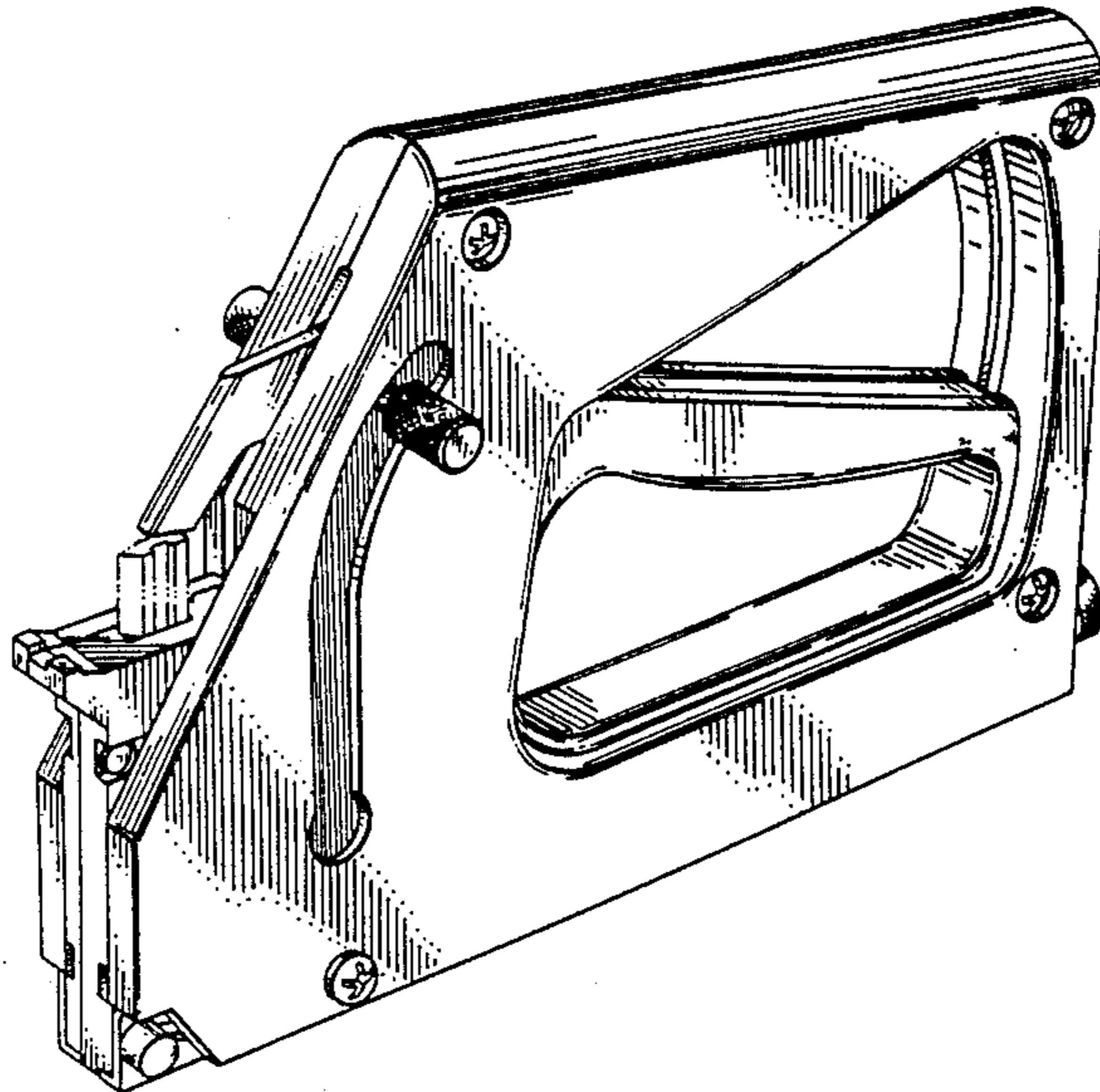


FIG. 1

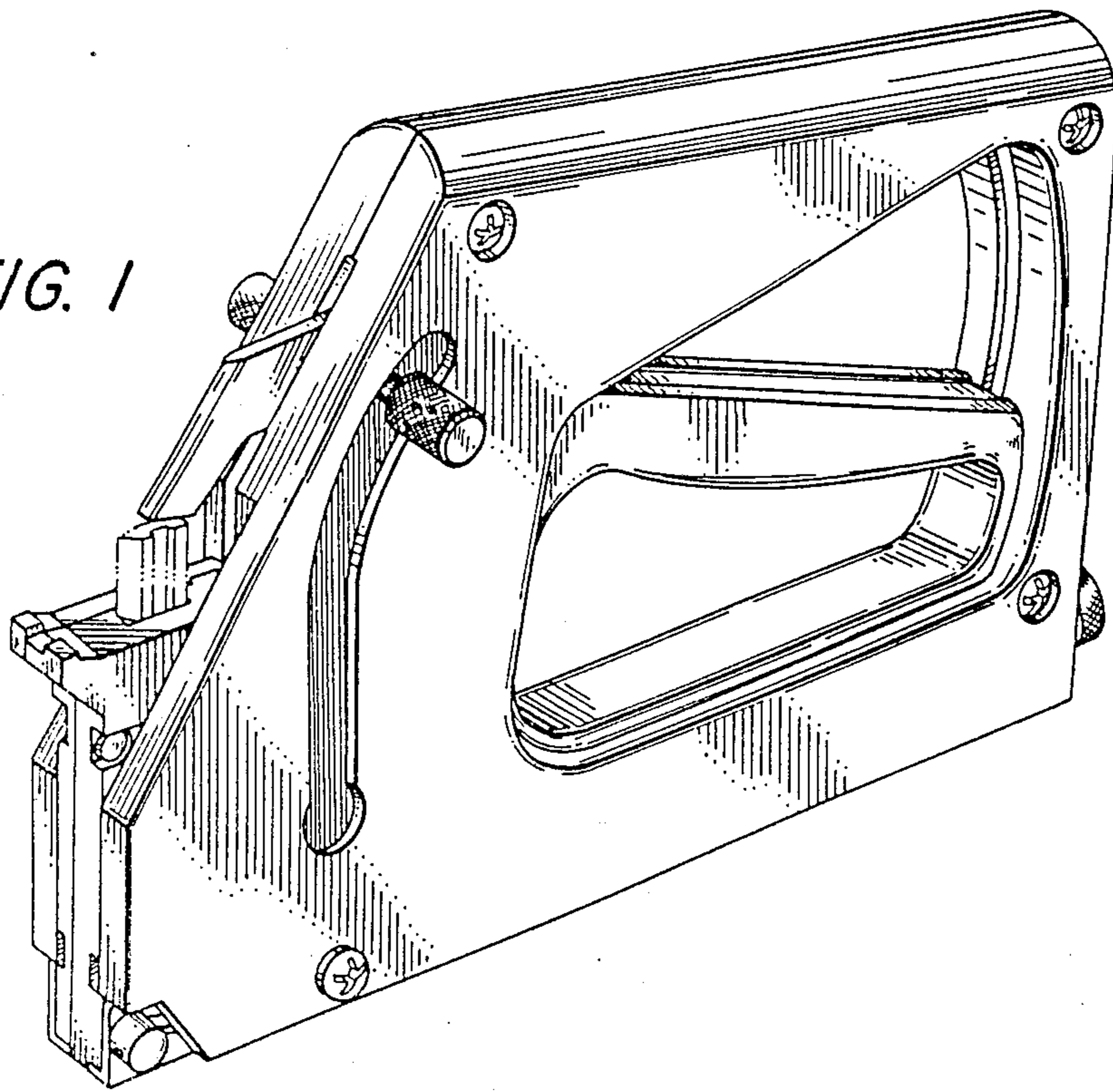


FIG. 2

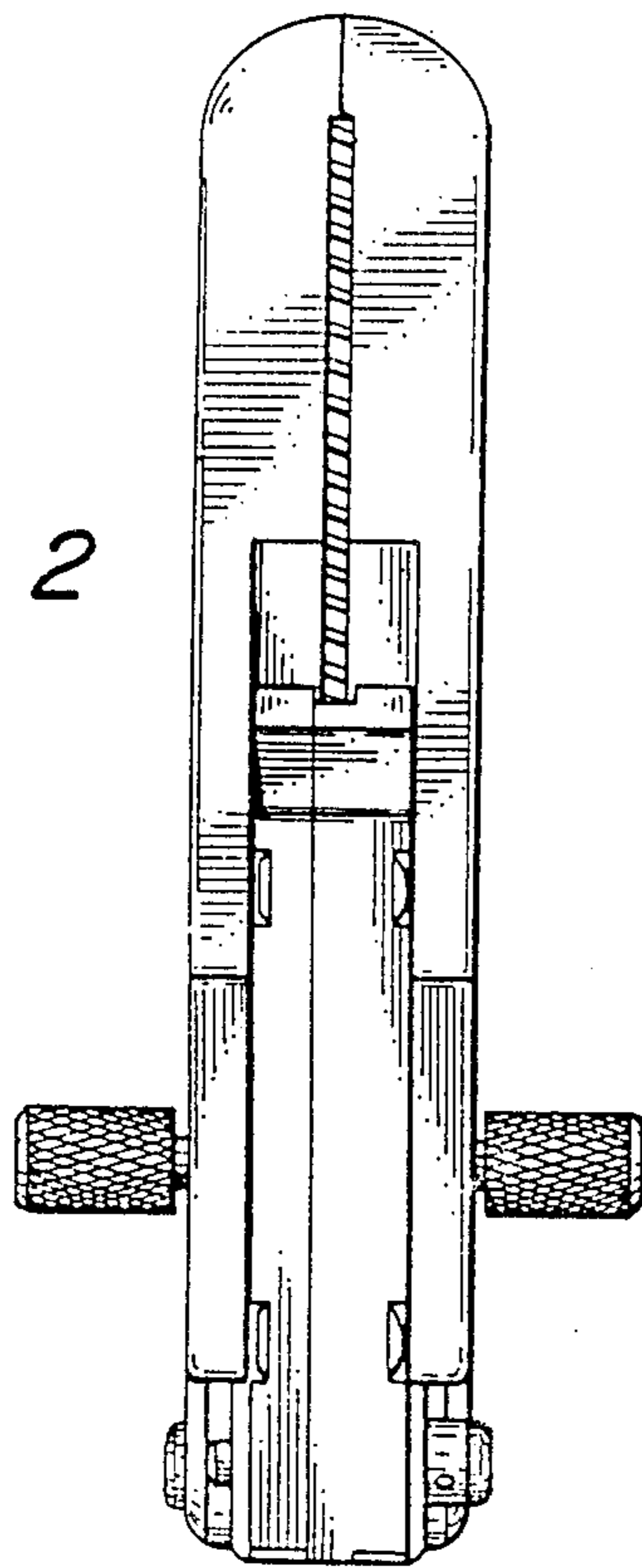


FIG. 3

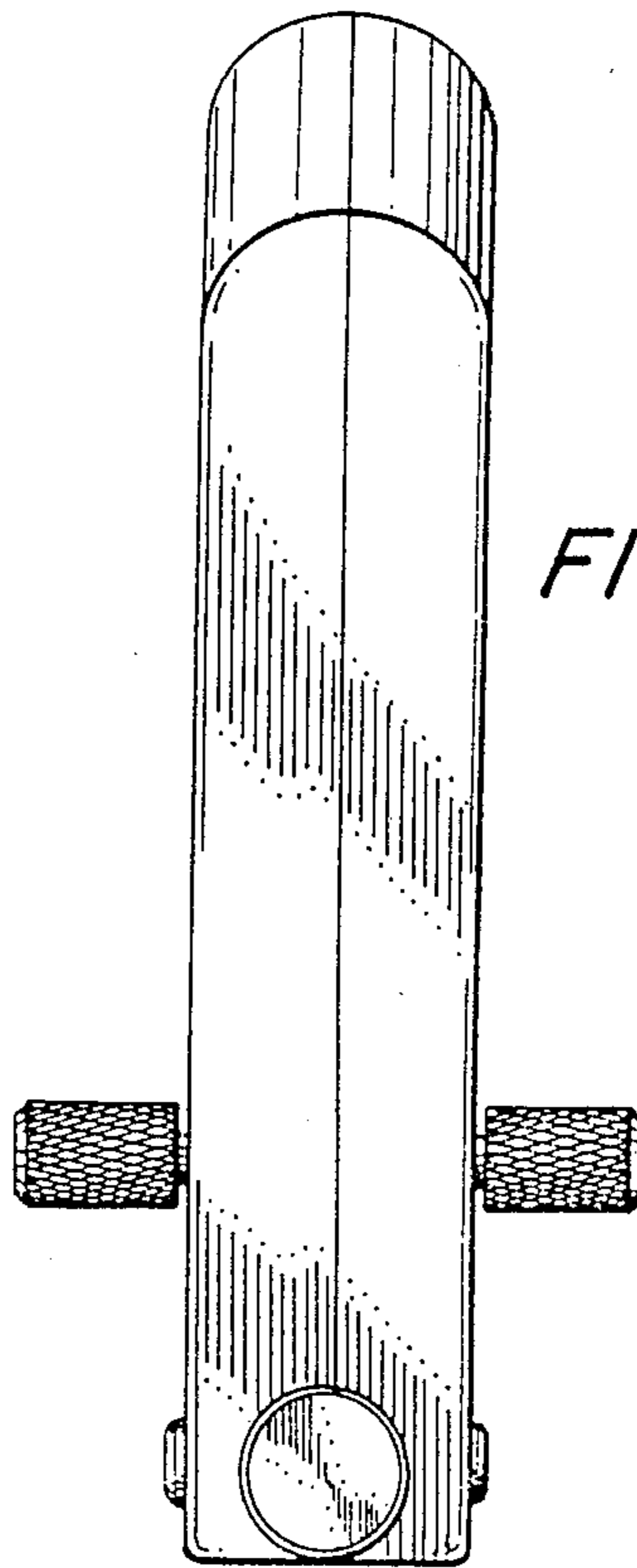


FIG. 4

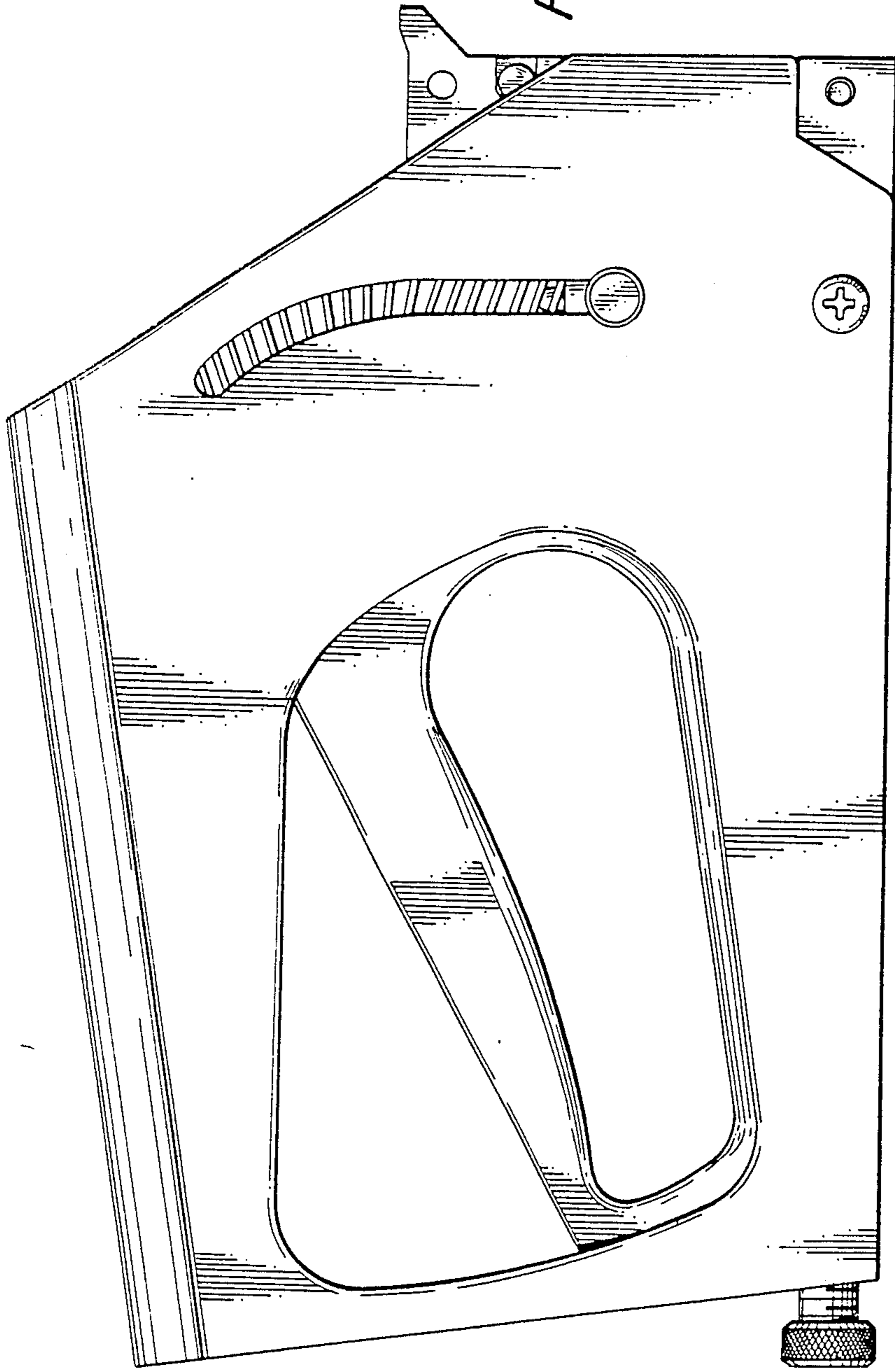


FIG. 5

