

[54] ICE SHAVER

3,679,140 7/1972 Kaishita et al. 241/DIG. 17

[76] Inventor: Yong S. Lin, No. 8, Alley 41, Lane 189, Sec. 1, An Chung Rd., Tainan, Taiwan

Primary Examiner—Bruce W. Dunkins
Assistant Examiner—Ruth Takemoto
Attorney, Agent, or Firm—Finnegan, Henderson, Farabow, Garrett & Dunner

[**] Term: 14 Years

[57] CLAIM

[21] Appl. No.: 111,572

The ornamental design for an ice shaver, as shown and described.

[22] Filed: Oct. 23, 1987

[52] U.S. Cl. D7/374; D7/49

[58] Field of Search D7/368, 372, 374, 409; 241/DIG. 17, 82.1, 82.3, 82.5, 82.7, 83, 95, 107, 152 R, 153, 244, 246, 296

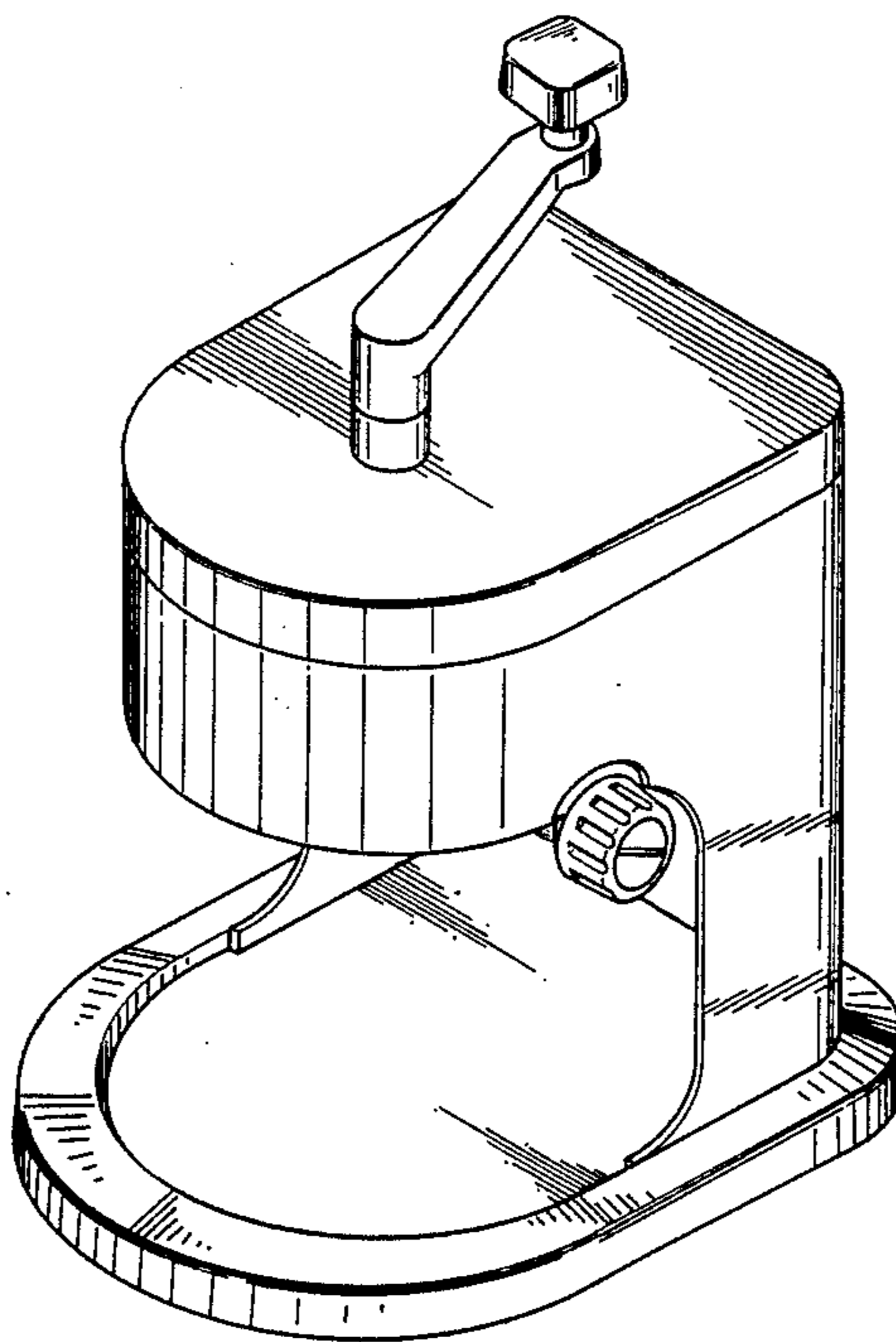
DESCRIPTION

[56] References Cited

U.S. PATENT DOCUMENTS

- D. 105,335 6/1937 Majewski, Jr. D7/49
- D. 212,999 12/1968 Sugiyama D7/374
- D. 231,392 4/1974 Ross et al. D7/49

FIG. 1 is a perspective view of an ice shaver showing my new design;
FIG. 2 is a front elevational view thereof;
FIG. 3 is a rear elevational view thereof;
FIG. 4 is a right side elevational view thereof;
FIG. 5 is a left side elevational view thereof.
FIG. 6 is a top plan view thereof; and
FIG. 7 is a bottom plan view thereof.



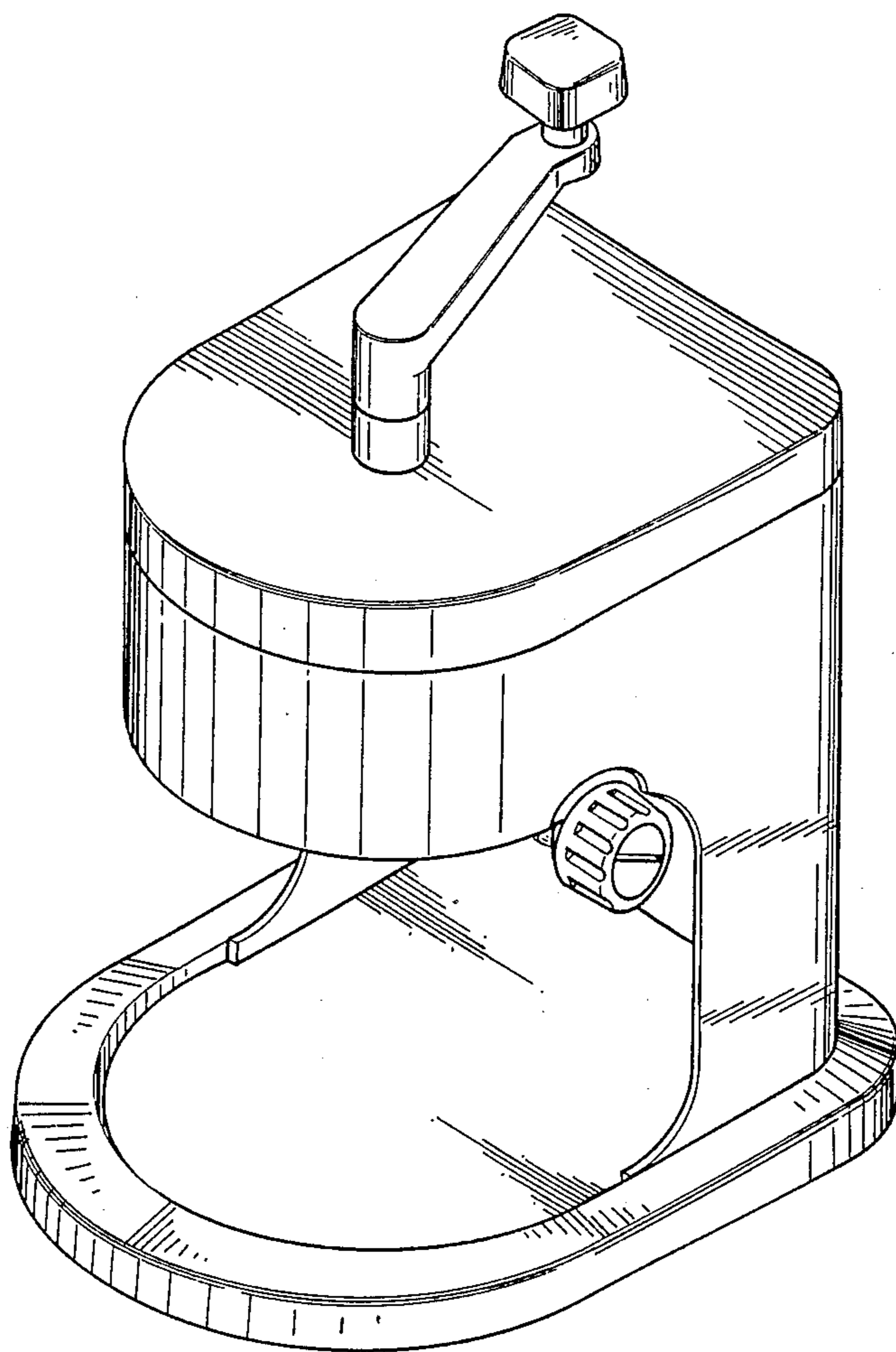


FIG. 1

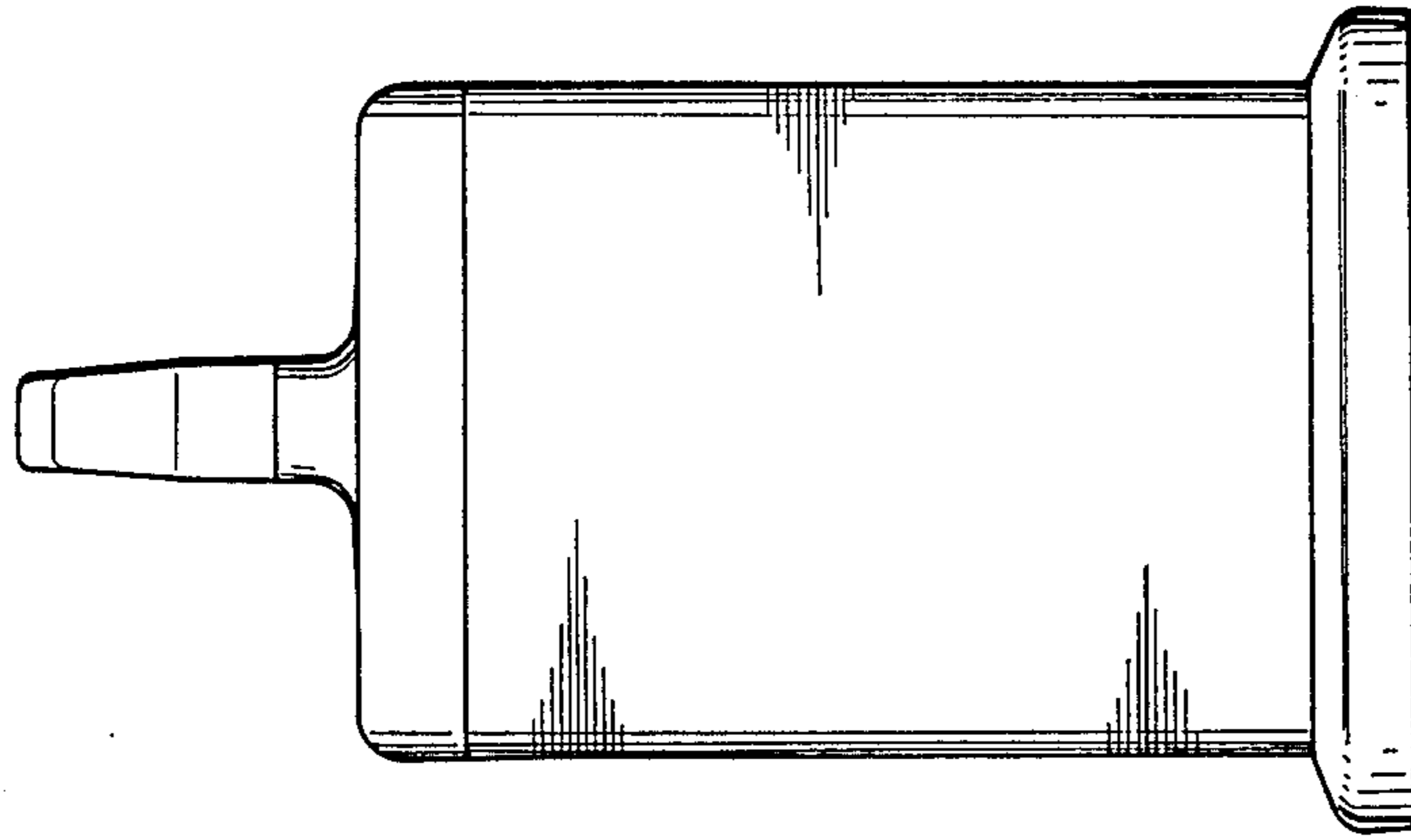


FIG. 3

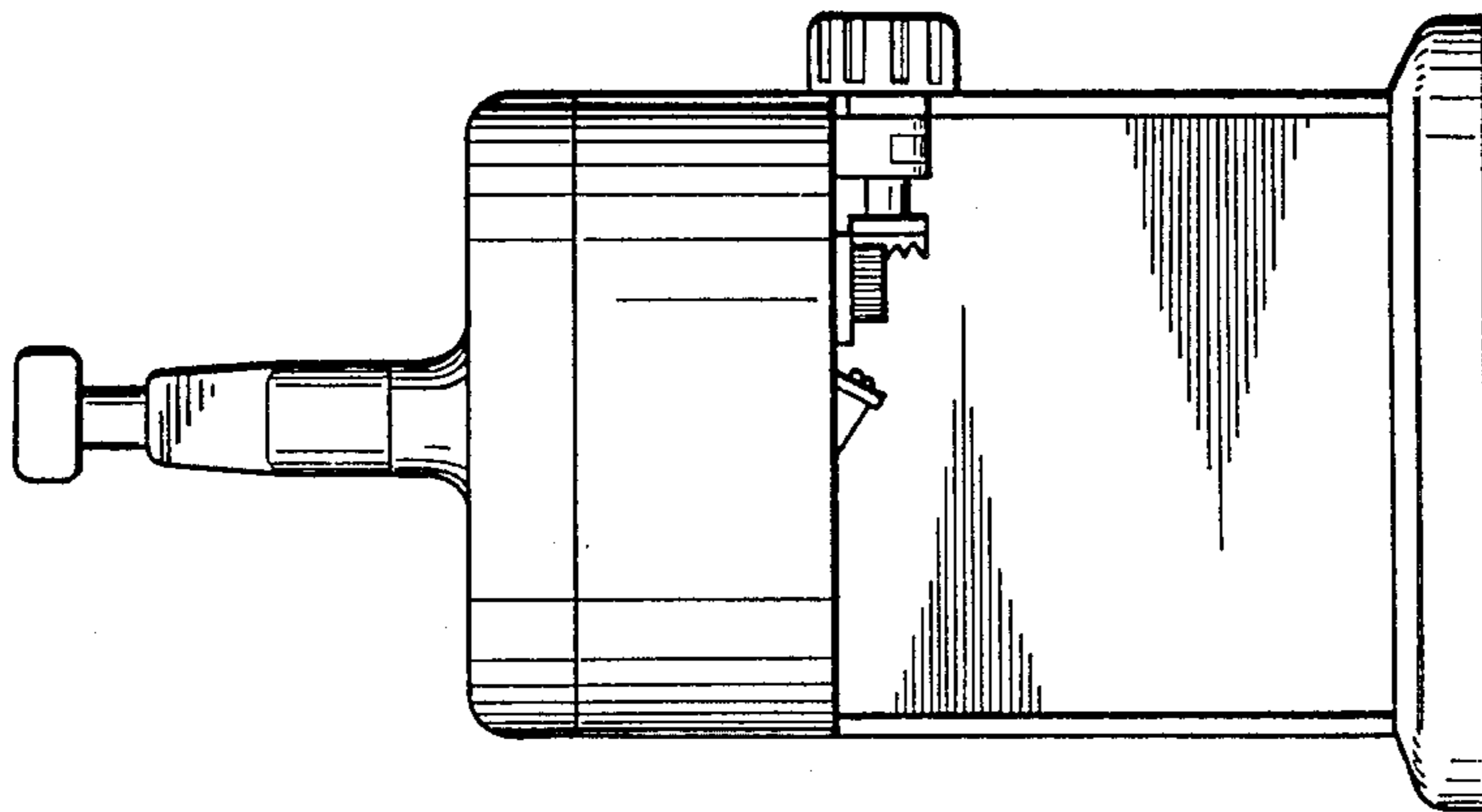


FIG. 2

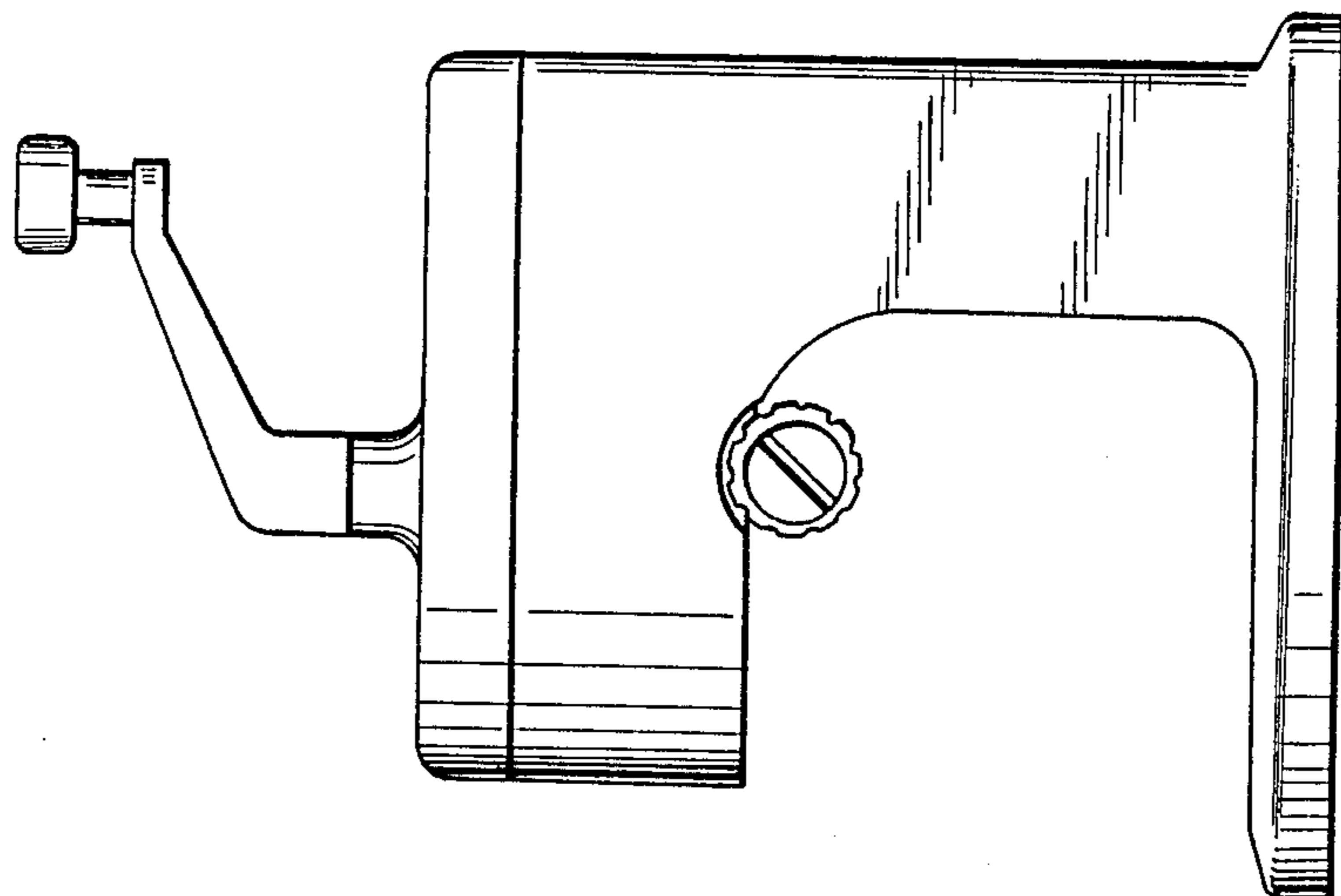


FIG. 5

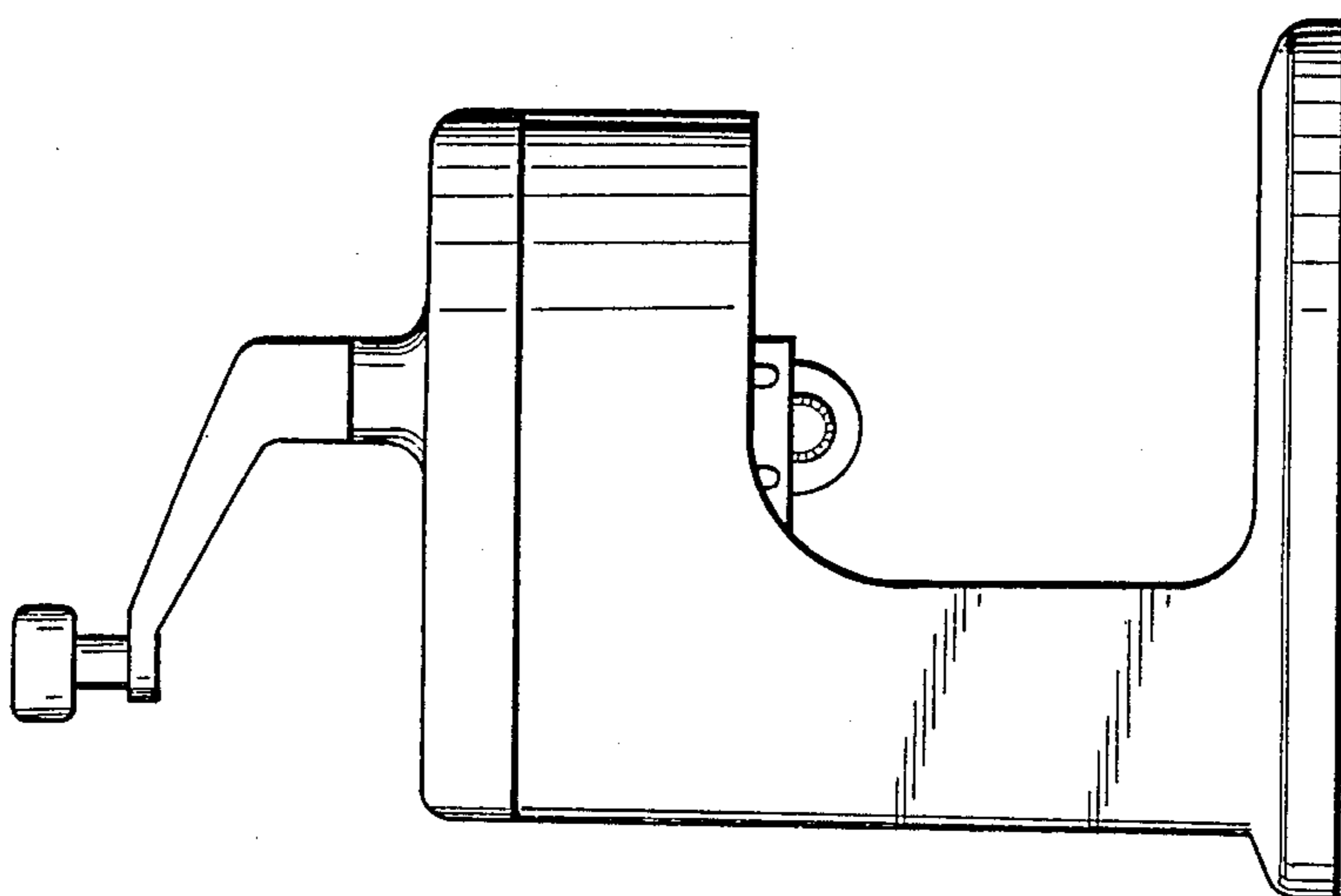


FIG. 4

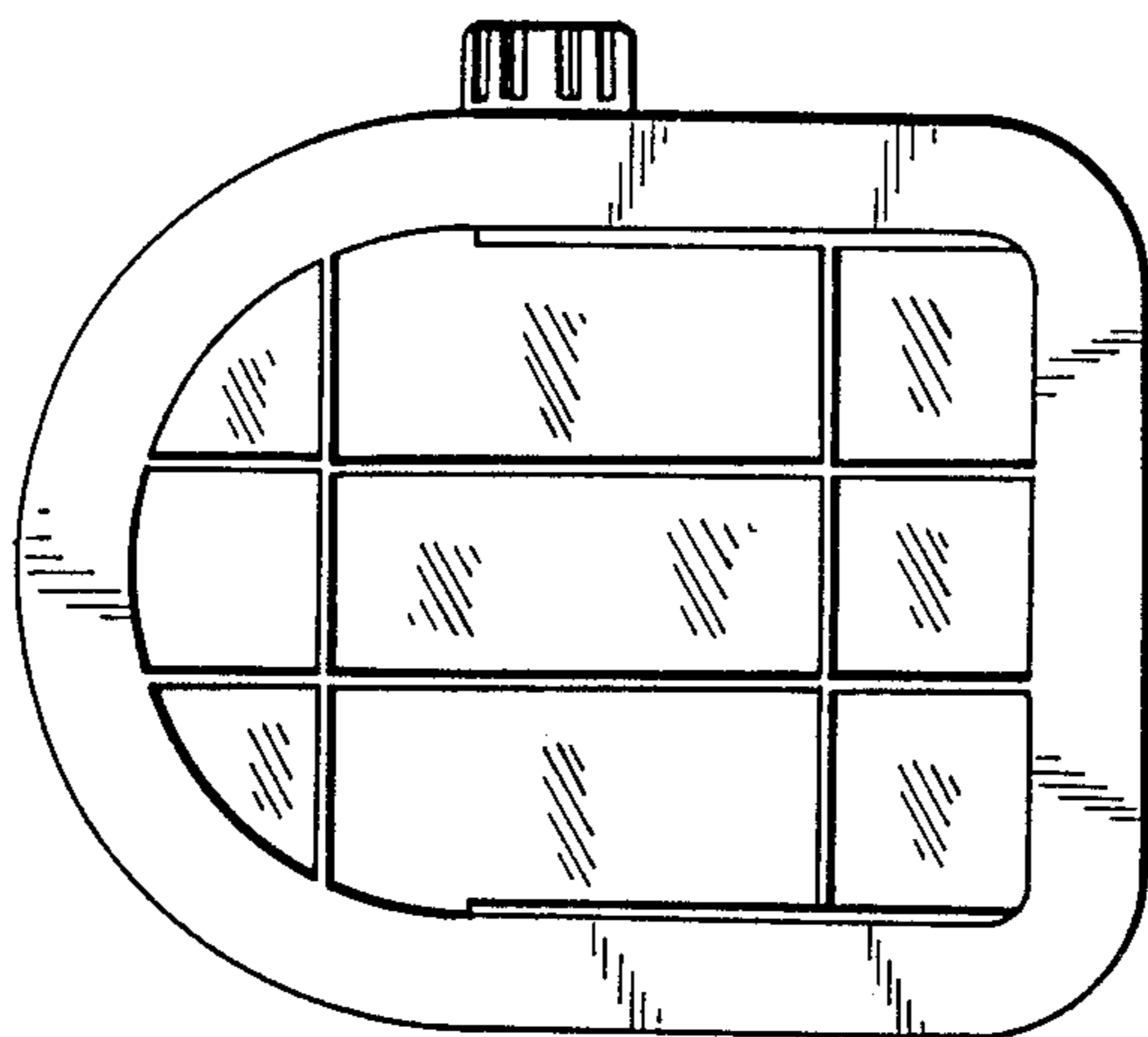


FIG. 7

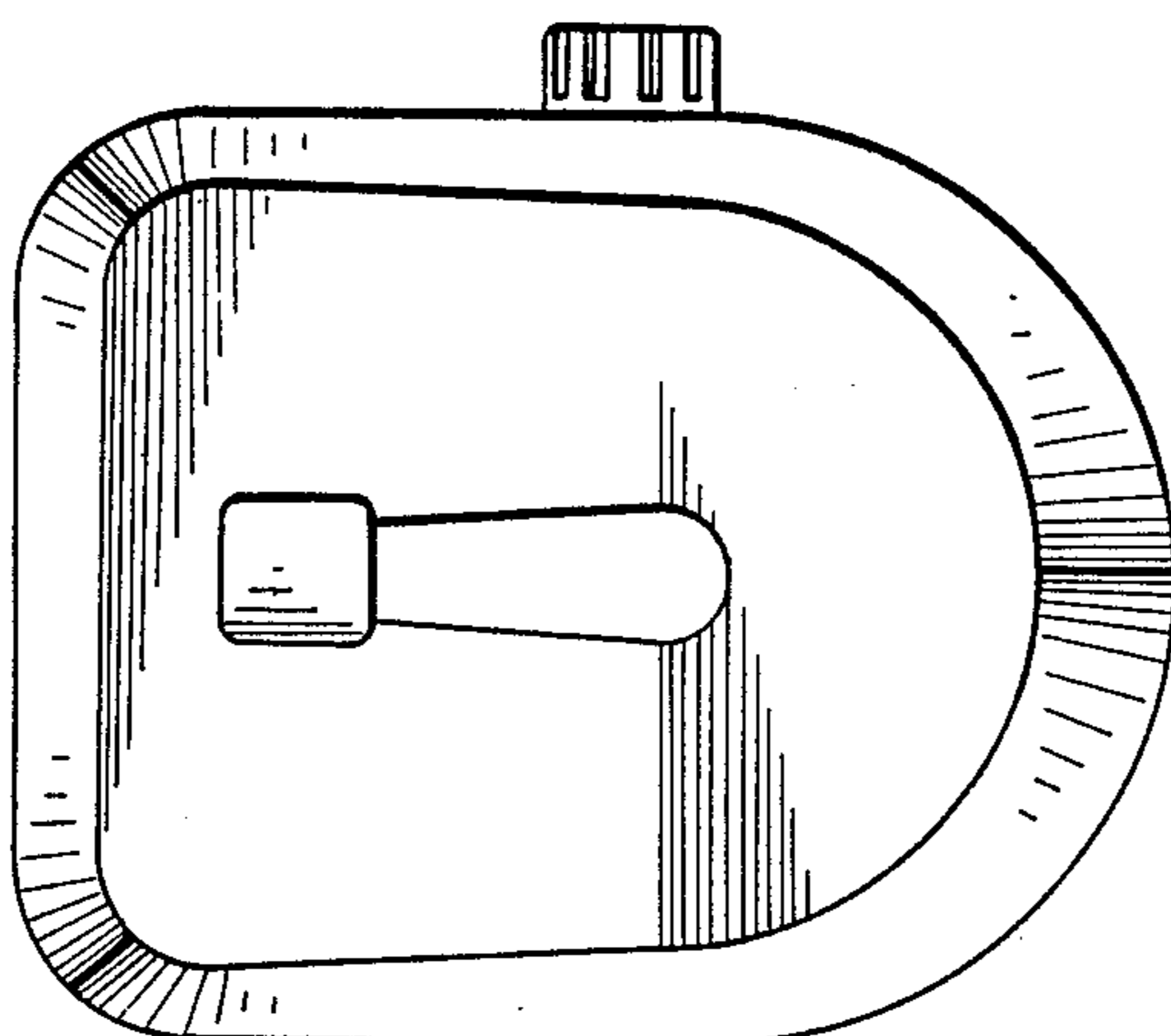


FIG. 6