

[54] **BARBECUE GRILL CLEANER**

[76] **Inventor: Romolo A. Bevilacqua, 3780 Plumas St., Reno, Nev. 89509**

[**] **Term: 14 Years**

[21] **Appl. No.: 91,620**

[22] **Filed: Aug. 31, 1987**

[52] **U.S. Cl. D7/99; D8/14**

[58] **Field of Search D7/99-106; D8/14; 294/9, 7; 15/236.01, 236.08; 30/169**

[56] **References Cited**

U.S. PATENT DOCUMENTS

790,228 5/1905 Rohrer 15/236.08 X
2,747,911 5/1956 Kuever D7/102

OTHER PUBLICATIONS

Colonial Garden Kitchens, 5/5 86, p. 21, Grill Cleaner.

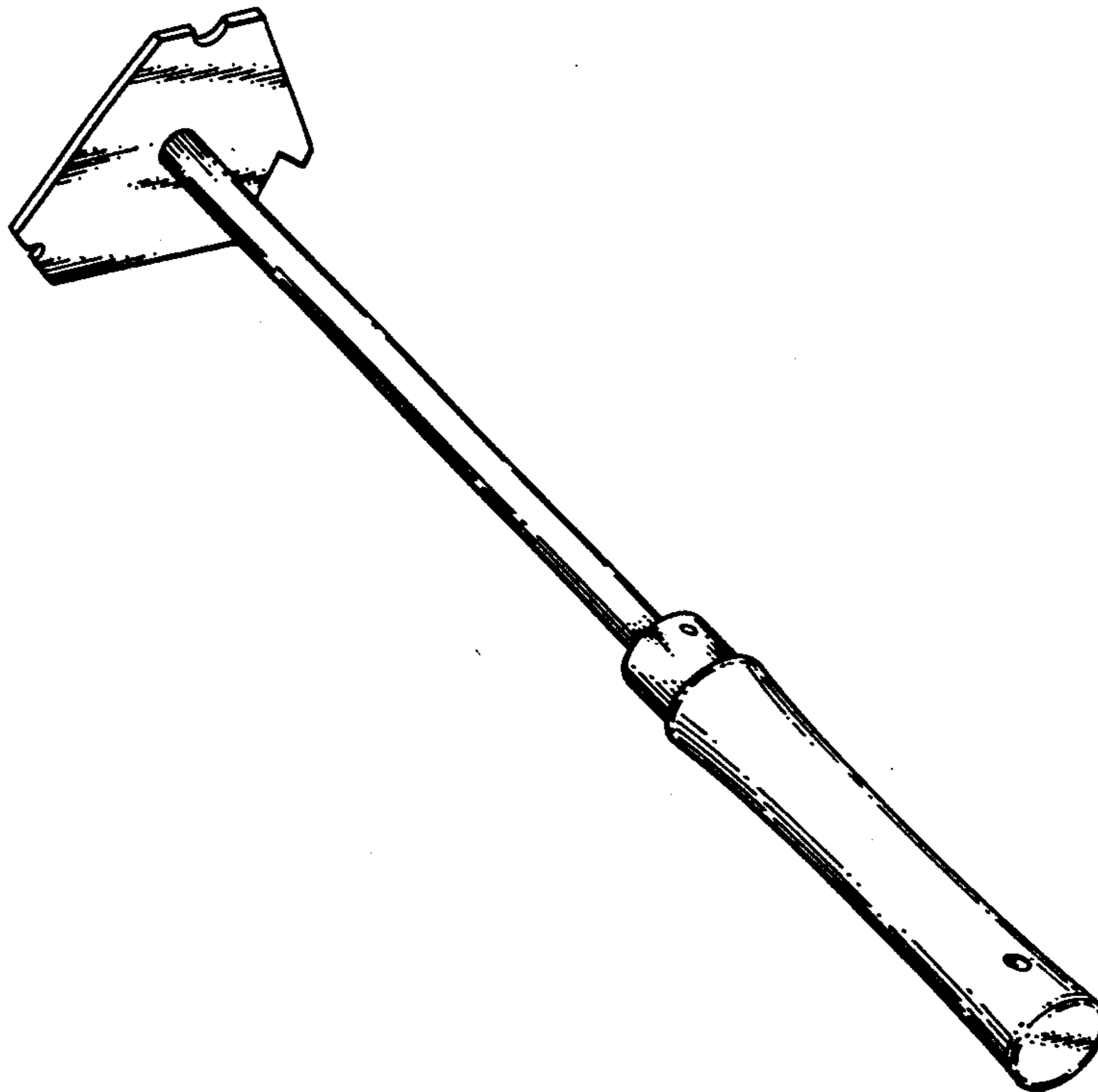
Primary Examiner—Bernard Ansher
Assistant Examiner—Terry A. Pfeffer
Attorney, Agent, or Firm—Lothrop & West

[57] **CLAIM**

The ornamental design for a barbecue grill cleaner, as shown.

DESCRIPTION

FIG. 1 is a perspective view of a barbecue grill cleaner, showing my new design;
FIG. 2 is a top plan view thereof;
FIG. 3 is a bottom plan view thereof.
FIG. 4 is a left side elevational view thereof;
FIG. 5 is a right side elevational view thereof;
FIG. 6 is a rear elevational view thereof; and
FIG. 7 is a front elevational view thereof.



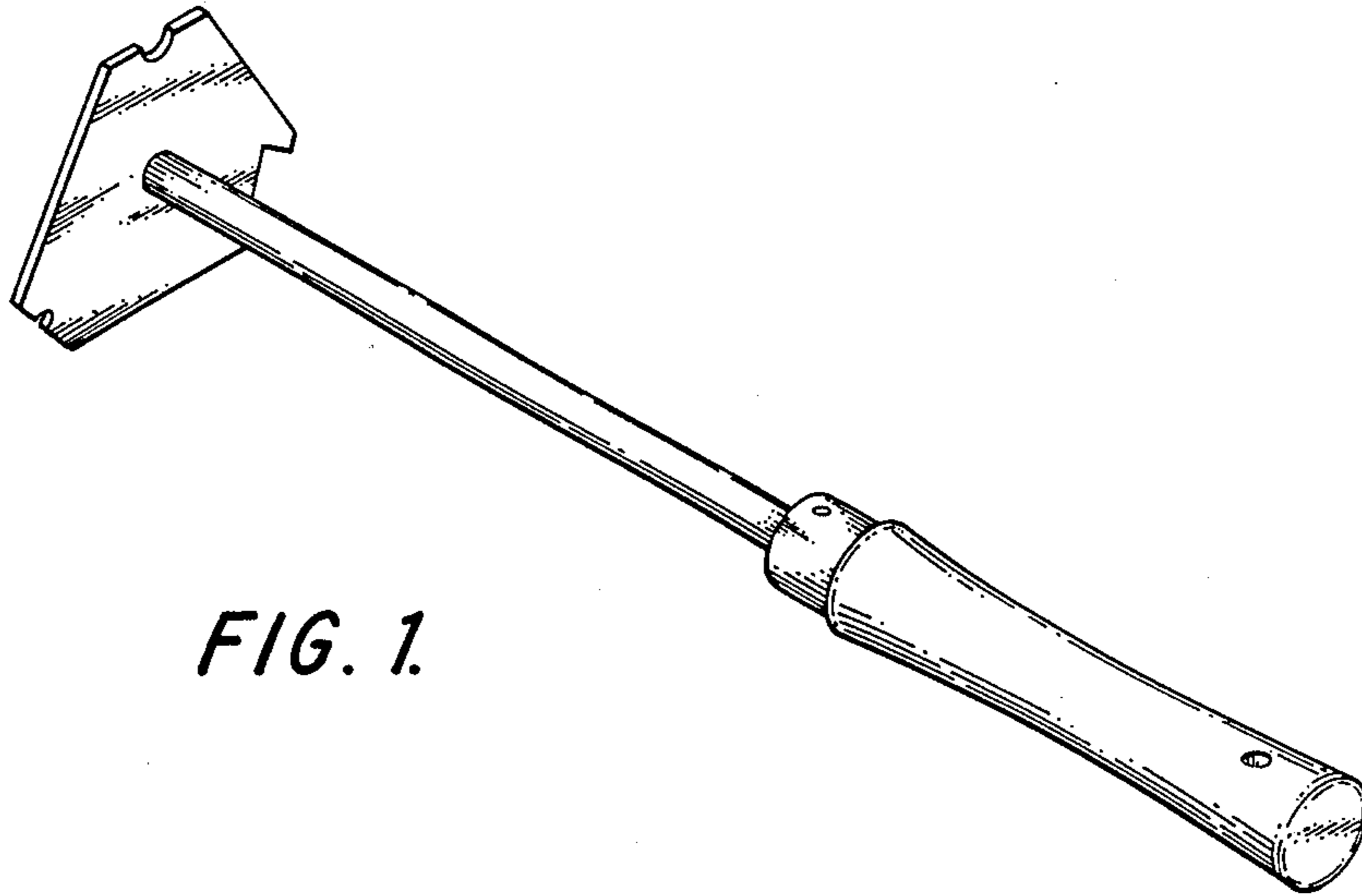


FIG. 1.

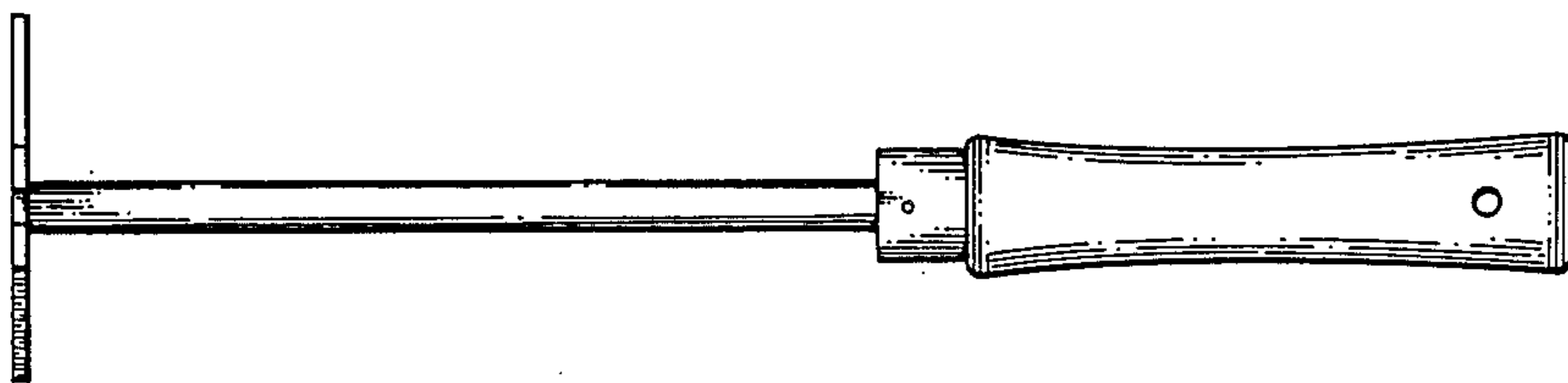


FIG. 2.

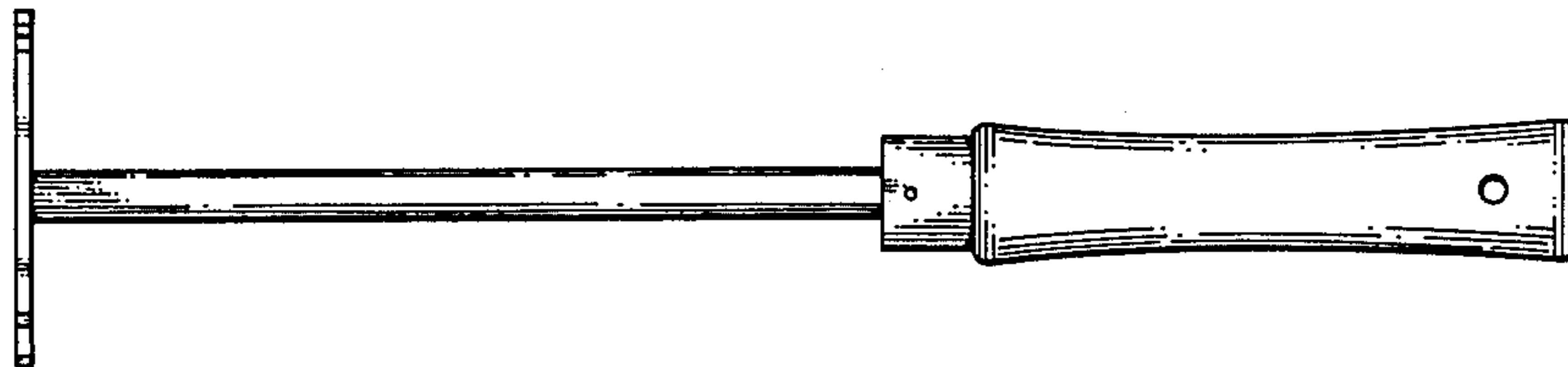


FIG. 3.

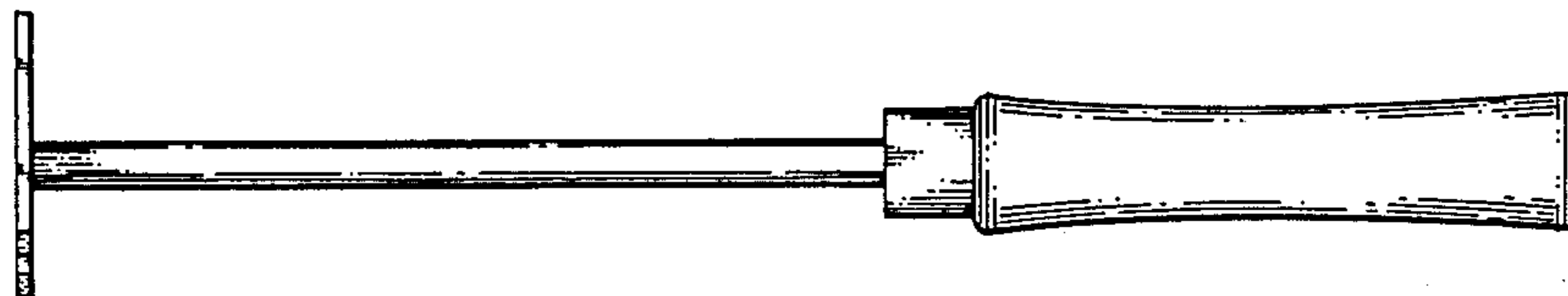


FIG. 4.

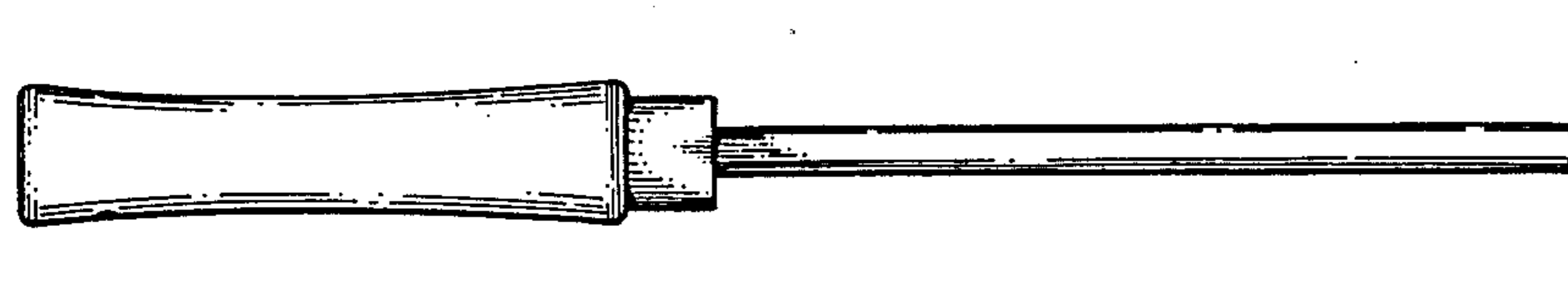


FIG. 5.

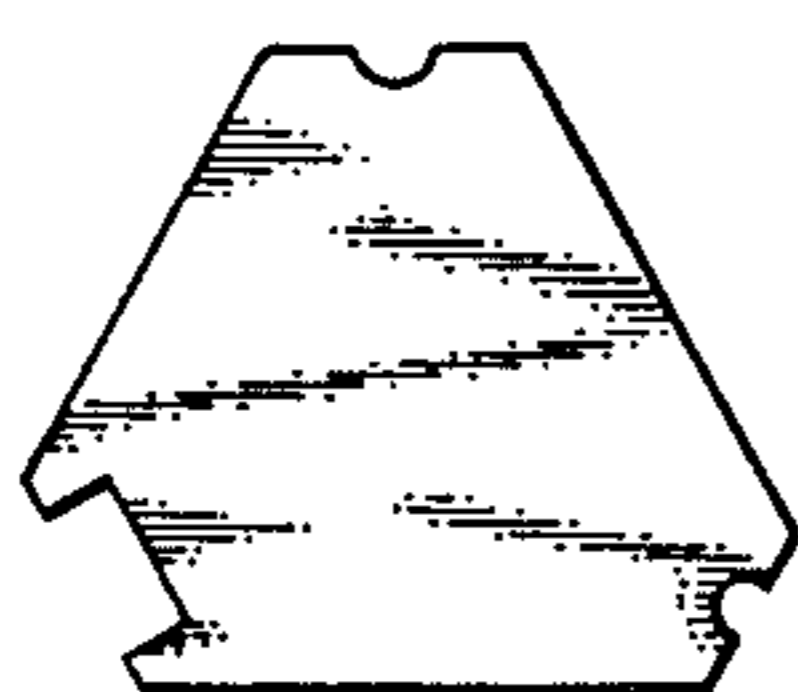


FIG. 6.

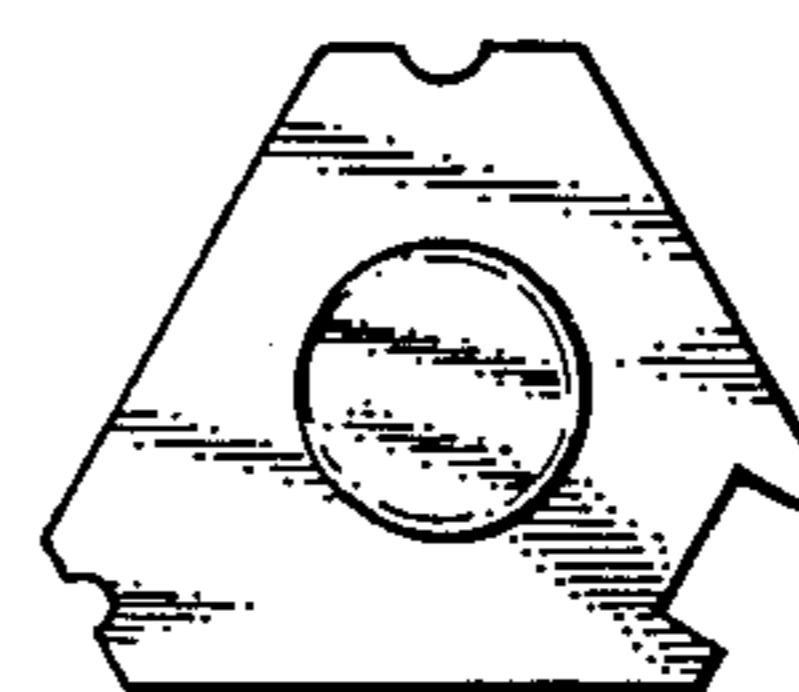


FIG. 7.