

[54] **COMBINED NUTCRACKER AND BOTTLE  
OPENER**

[75] **Inventor: Lucio Borromeo, Turin, Italy**

[73] **Assignee: 3T S.p.A., Turin, Italy**

[\*\*] **Term: 14 Years**

[21] **Appl. No.: 6,631**

[22] **Filed: Jan. 22, 1987**

[30] **Foreign Application Priority Data**

Jul. 25, 1986 [IT] Italy ..... 53696/86[U]

[52] **U.S. Cl. .... D7/98; D8/52;  
D8/34**

[58] **Field of Search ..... D7/98; 30/120.1-120.5;  
81/300, 302; D8/52, 33, 40, 39, 34**

[56] **References Cited**

**U.S. PATENT DOCUMENTS**

508,355 11/1893 Streeter et al. .... 30/120.3  
3,048,208 8/1962 Umanoff ..... 30/120.3

*Primary Examiner*—Bernard Ansher  
*Assistant Examiner*—Terry A. Pfeffer  
*Attorney, Agent, or Firm*—Sughrue, Mion, Zinn,  
Macpeak & Seas

[57] **CLAIM**

The ornamental design for combined nutcracker and bottle opener, as shown.

**DESCRIPTION**

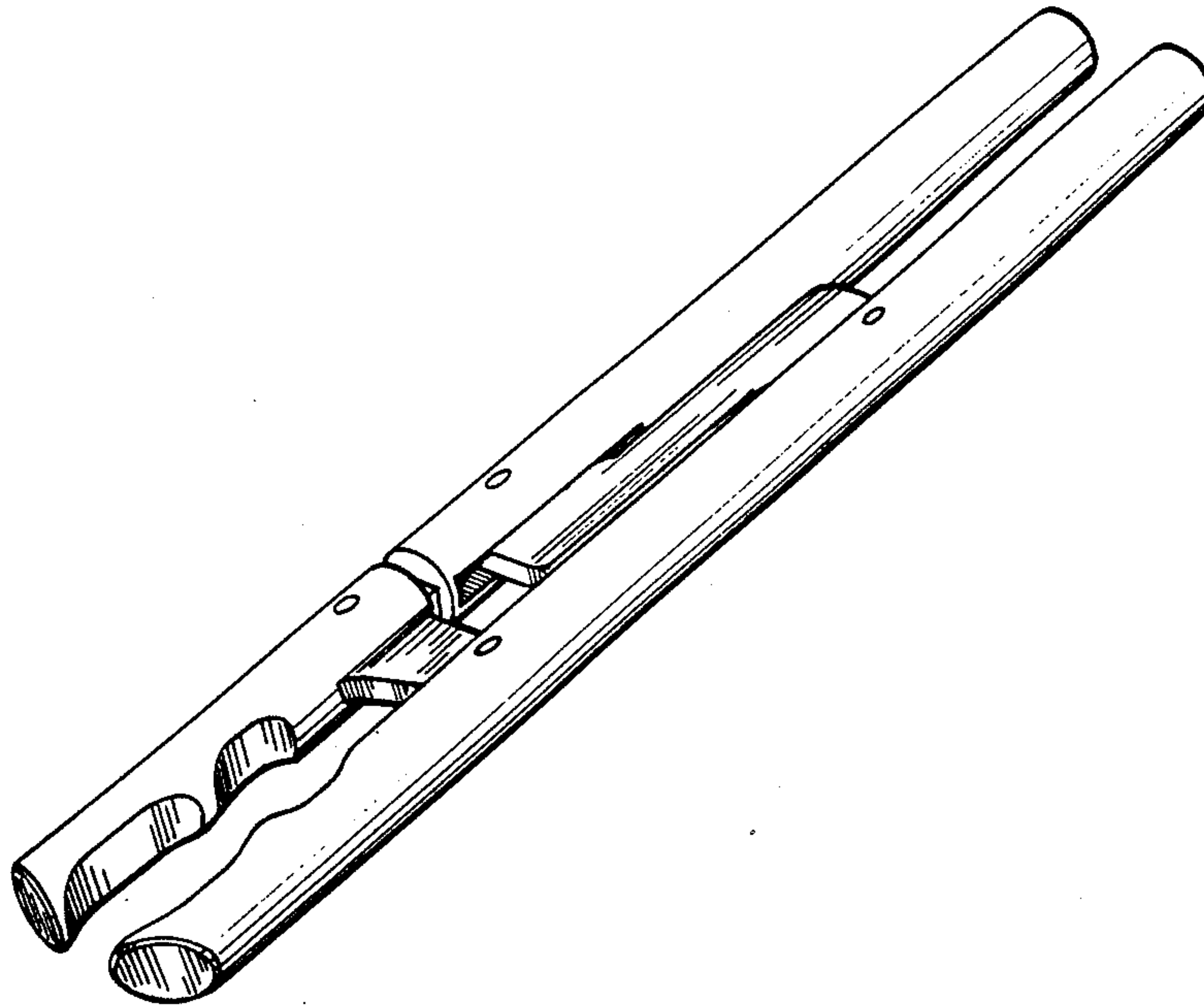
FIG. 1 is a perspective view of a plier, particularly for use as a nutcracker or for removing plugs of bottles showing my new design;

FIG. 2 is a perspective view thereof in an open position;

FIG. 3 is a side elevational view thereof;

FIG. 4 is a front elevational view thereof; and

FIG. 5 is a rear elevational view thereof.



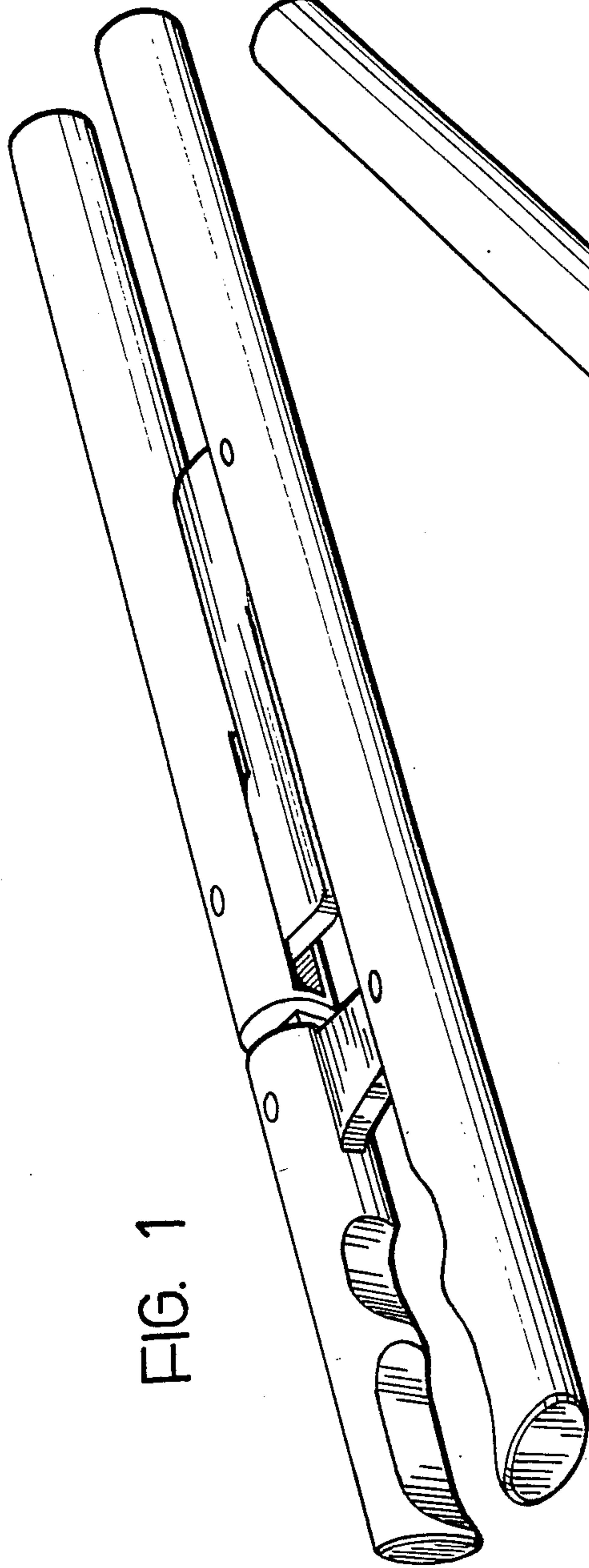


FIG. 1

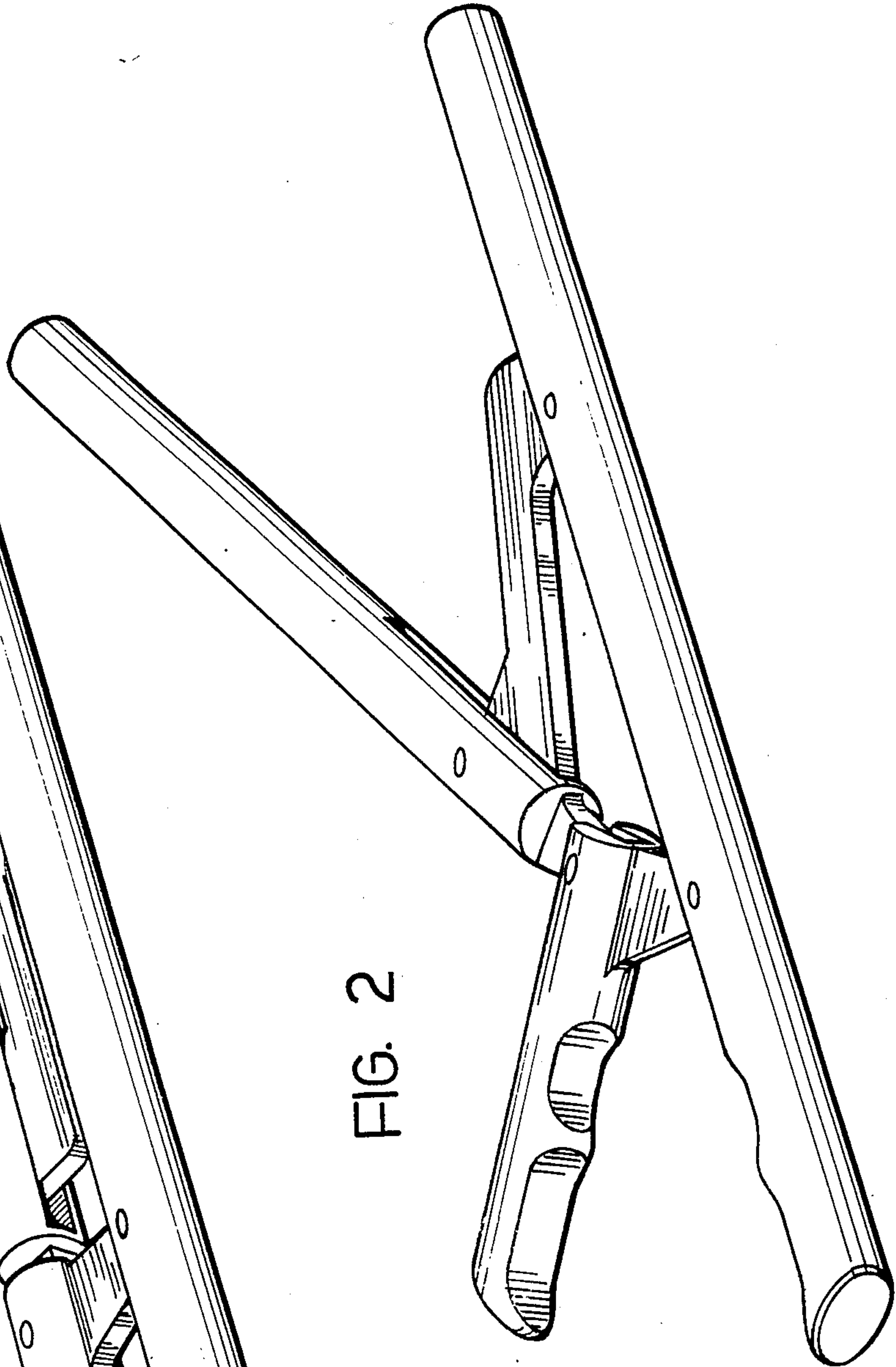


FIG. 2

FIG. 3

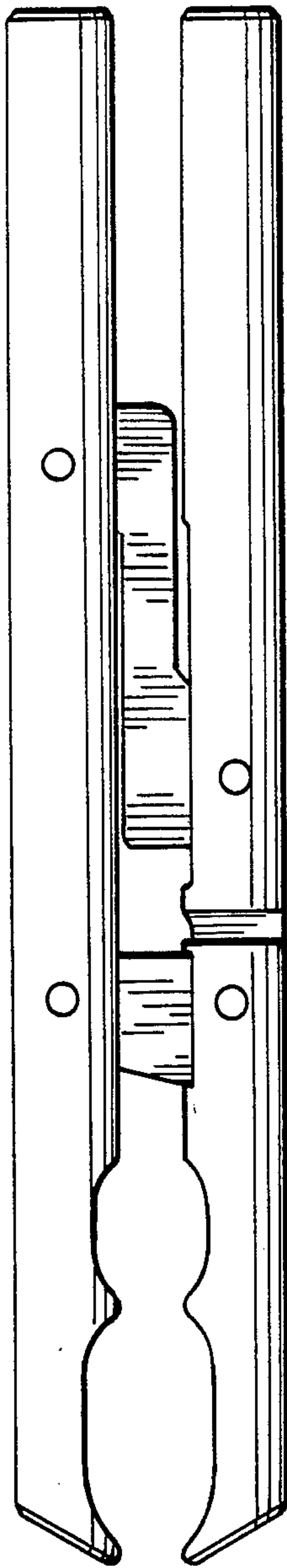


FIG. 4

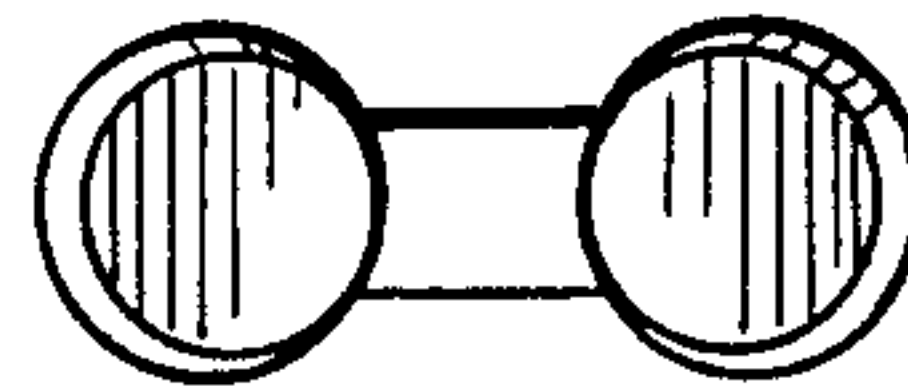


FIG. 5

