

[54] **SOAP SHELF**

[75] **Inventor: E. Pekka Korpijaako, Rocky Hill, N.J.**

[73] **Assignee: The Willette Corporation, New Brunswick, N.J.**

[**] **Term: 14 Years**

[21] **Appl. No.: 52,802**

[22] **Filed: May 21, 1987**

[52] **U.S. Cl. D6/574**

[58] **Field of Search D6/512, 536, 540, 553, D6/555, 567, 574; 108/28, 136; 211/13, 16, 86, 88-90, 126, 134**

[56] **References Cited**

U.S. PATENT DOCUMENTS

D. 131,504 3/1942 Dreyfuss D6/536
D 167,895 10/1952 Hallward D6/540

D. 225,948 1/1973 Asenbauer D6/532
D. 267,603 1/1983 Cohen D6/540
D. 272,588 2/1984 Shanies et al. D6/540
3,919,950 11/1975 Frazelle et al. 108/152 X

Primary Examiner—Wallace R. Burke
Assistant Examiner—Brian N. Vinson
Attorney, Agent, or Firm—Sperry, Zoda & Kane

[57] **CLAIM**

The ornamental design for a soap shelf, as shown and described.

DESCRIPTION

FIG. 1 is a front elevational view of a soap shelf embodying my new design;
FIG. 2 is a rear elevational view thereof;
FIG. 3 is a top plan view thereof;
FIG. 4 is a bottom plan view thereof;
FIG. 5 is a left side elevational view thereof, the right side being a mirror image of that shown; and
FIG. 6 is a perspective view thereof.

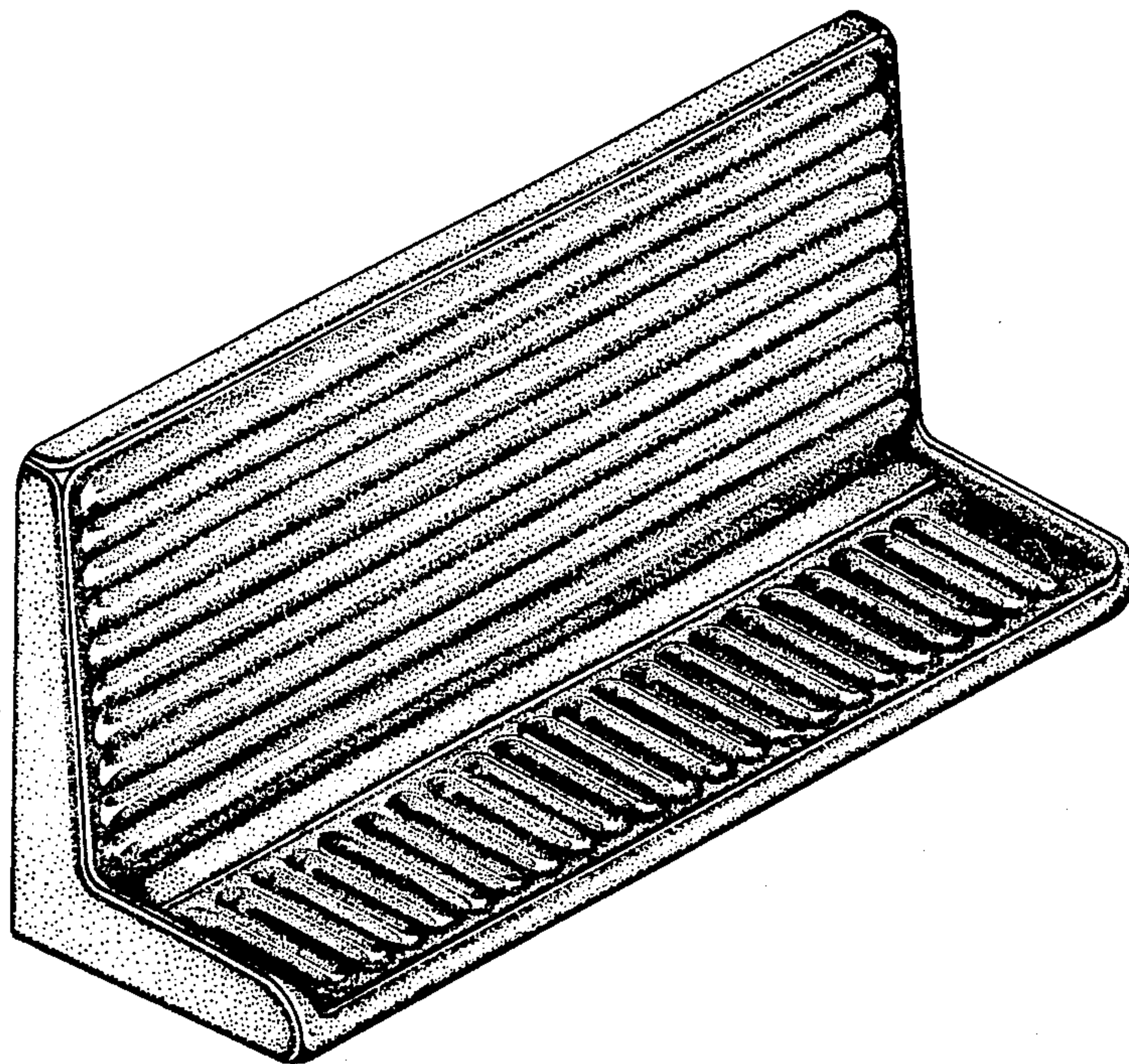


FIG. 6

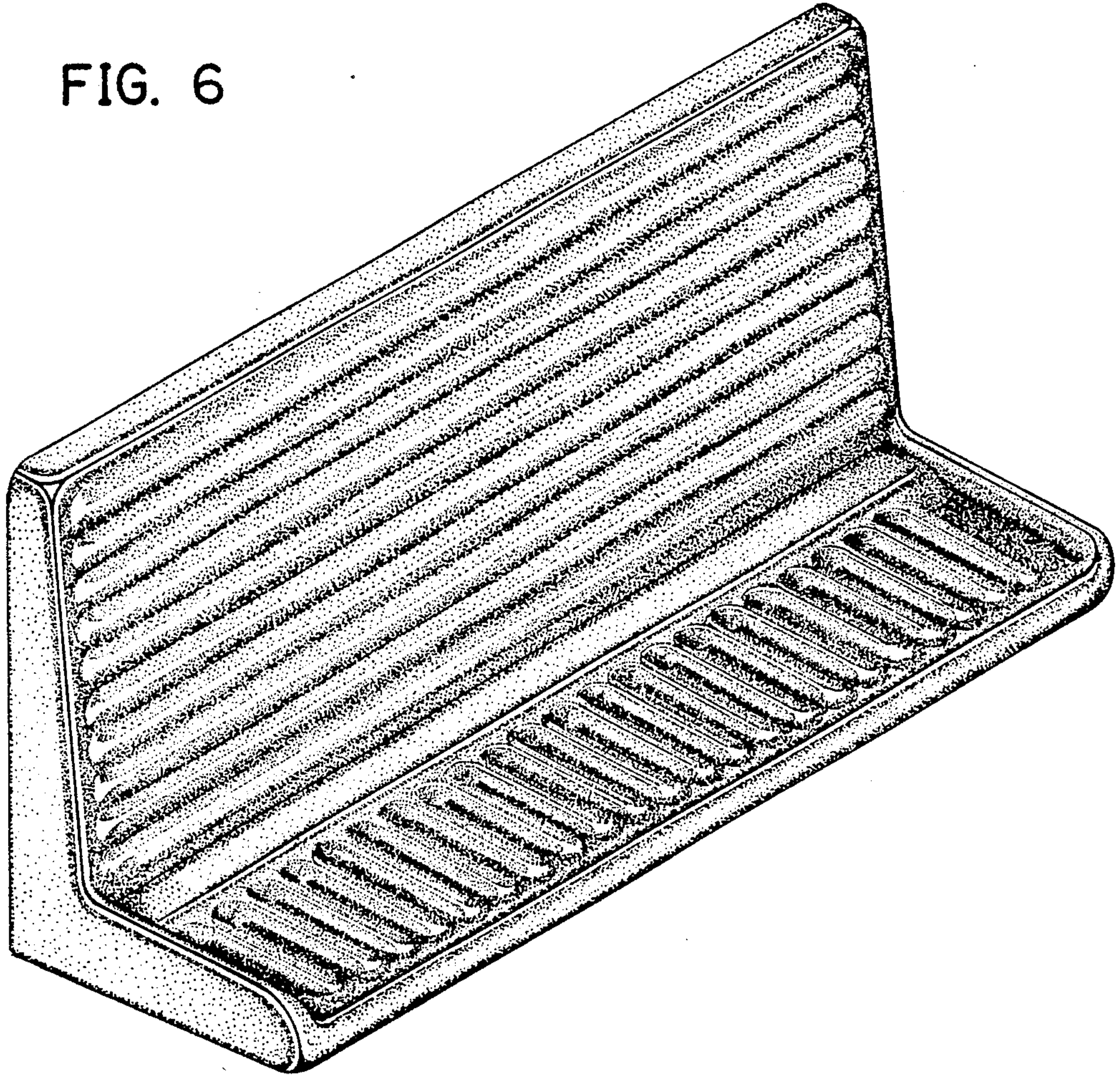


FIG. 1

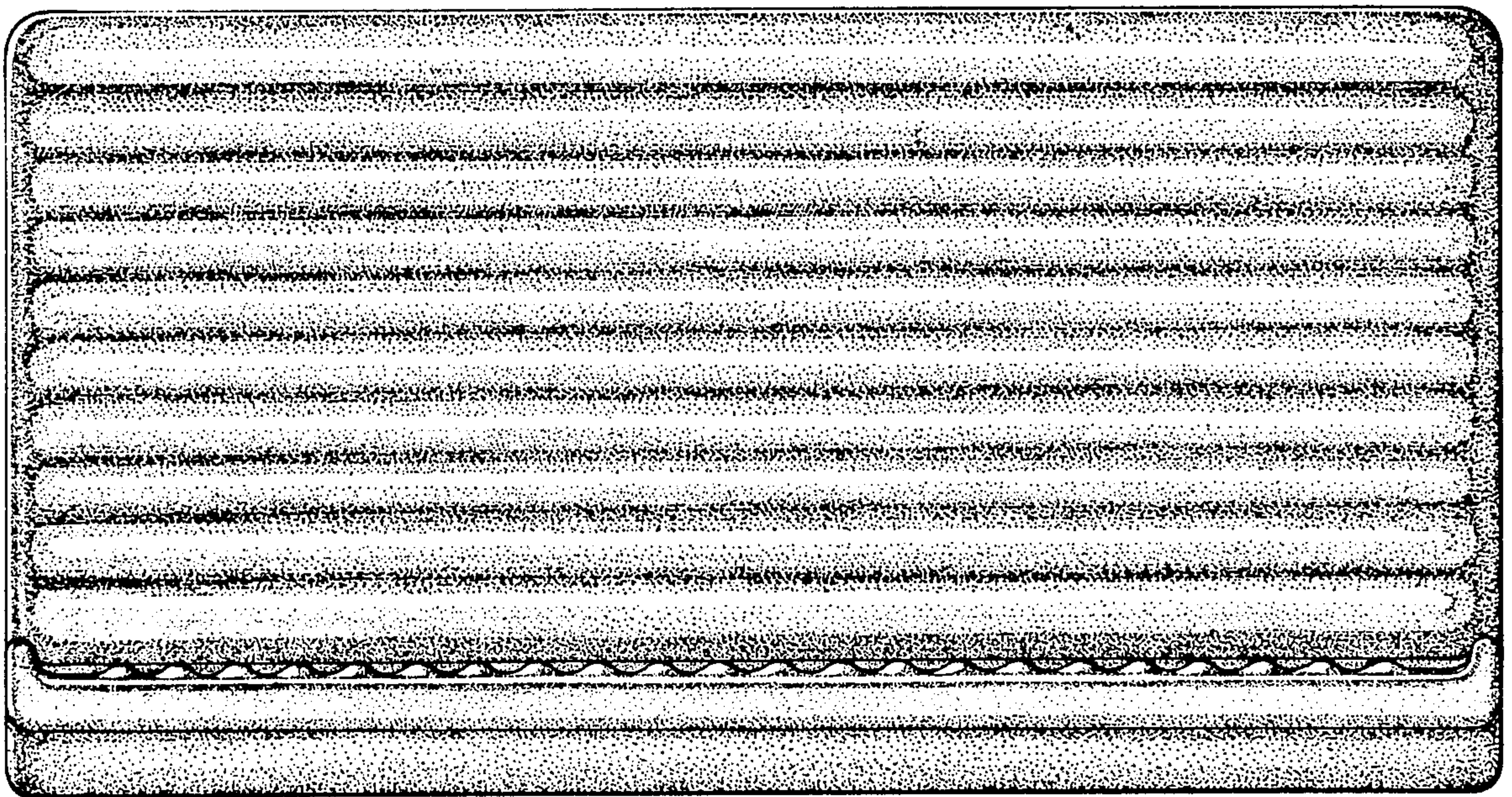


FIG. 2

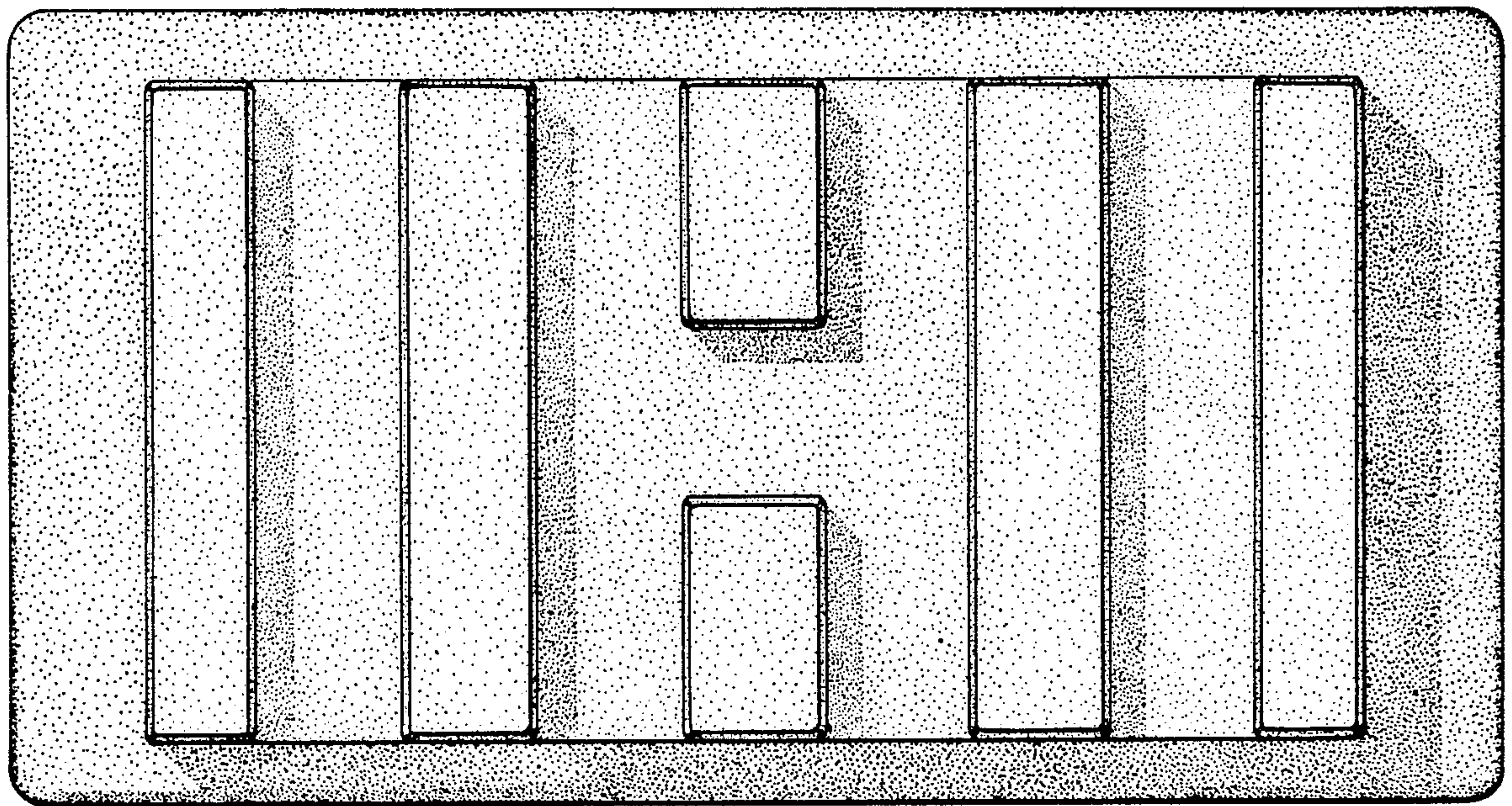


FIG. 3

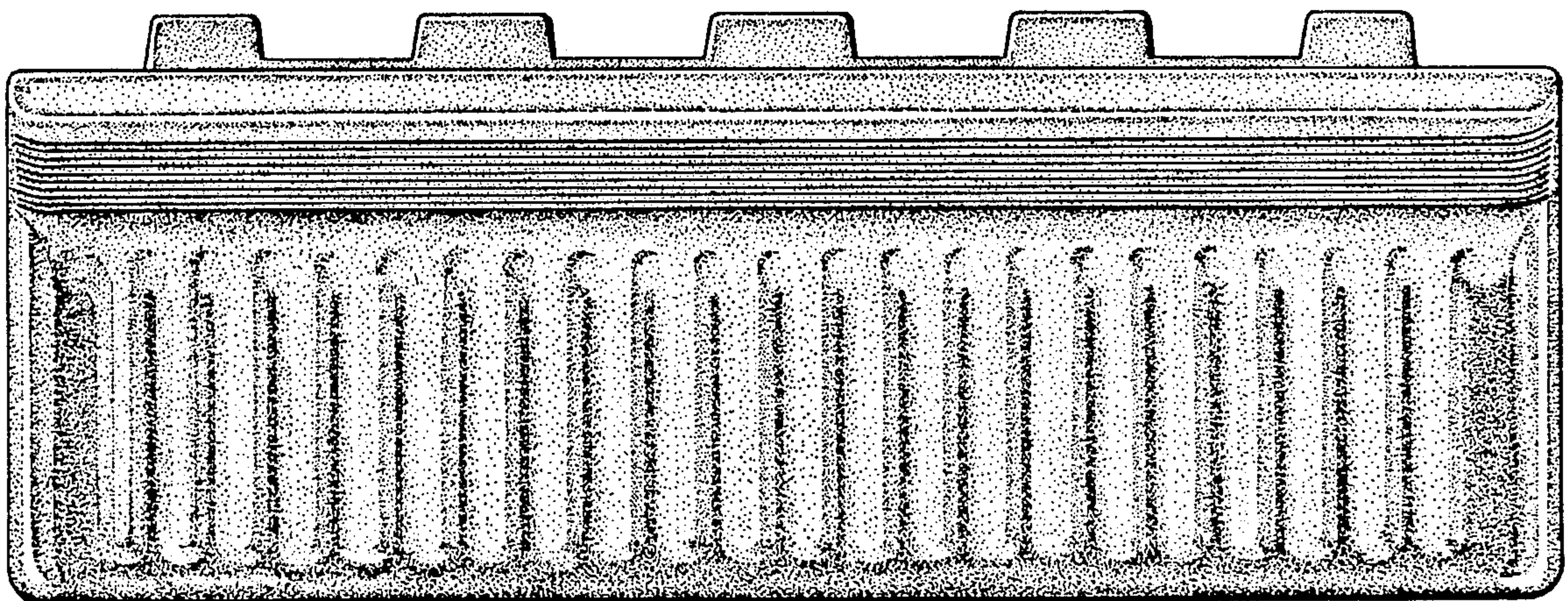


FIG. 4

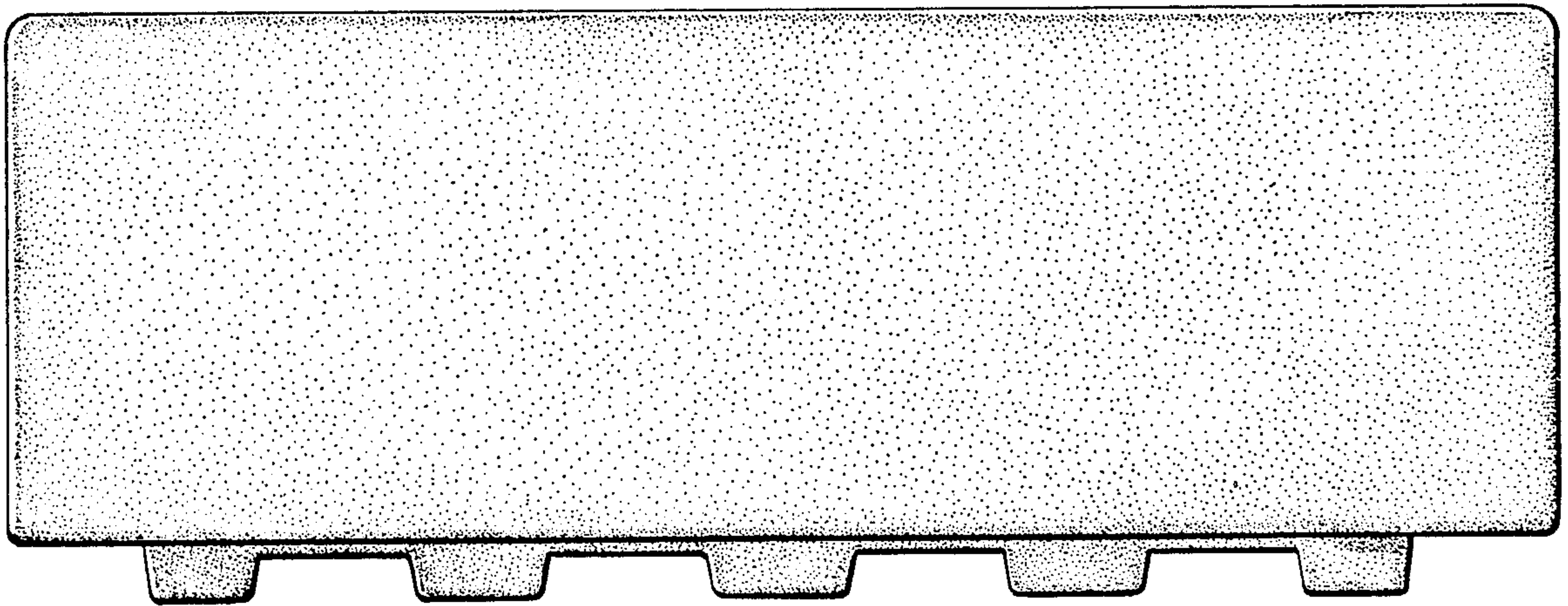


FIG. 5

