

[54] **STORAGE UNIT**

4,520,470 5/1985 d'Alayer de Consteniore ... 206/318

[75] **Inventor: Isidore Philosophe, Willowdale, Canada**

FOREIGN PATENT DOCUMENTS

3301644 7/1984 Fed. Rep. of Germany 206/387

[73] **Assignee: Cinram Ltd./Ltee., Scarborough, Canada**

Primary Examiner—Louis S. Zarfaz
Assistant Examiner—R. J. Seifert
Attorney, Agent, or Firm—Weldon F. Green

[**] **Term: 14 Years**

[21] **Appl. No.: 840,707**

[57] **CLAIM**

The ornamental design for a storage unit, as shown and described.

[22] **Filed: Mar. 3, 1986**

[30] **Foreign Application Priority Data**

DESCRIPTION

Jan. 7, 1986 [CA] Canada 07-01-86-2

[52] **U.S. Cl. D3/35**

[58] **Field of Search D3/35; 206/387, 312, 206/444, 310, 309, 307; 360/133**

FIG. 1 is a top side perspective view of a storage unit showing my new design with the lid swung open on its pivot points;

FIG. 2 is a bottom side perspective view of FIG. 1;

FIG. 3 is a top side perspective view with the tray portion slid into a fully extended open position;

FIG. 4 is a bottom side perspective view of FIG. 3;

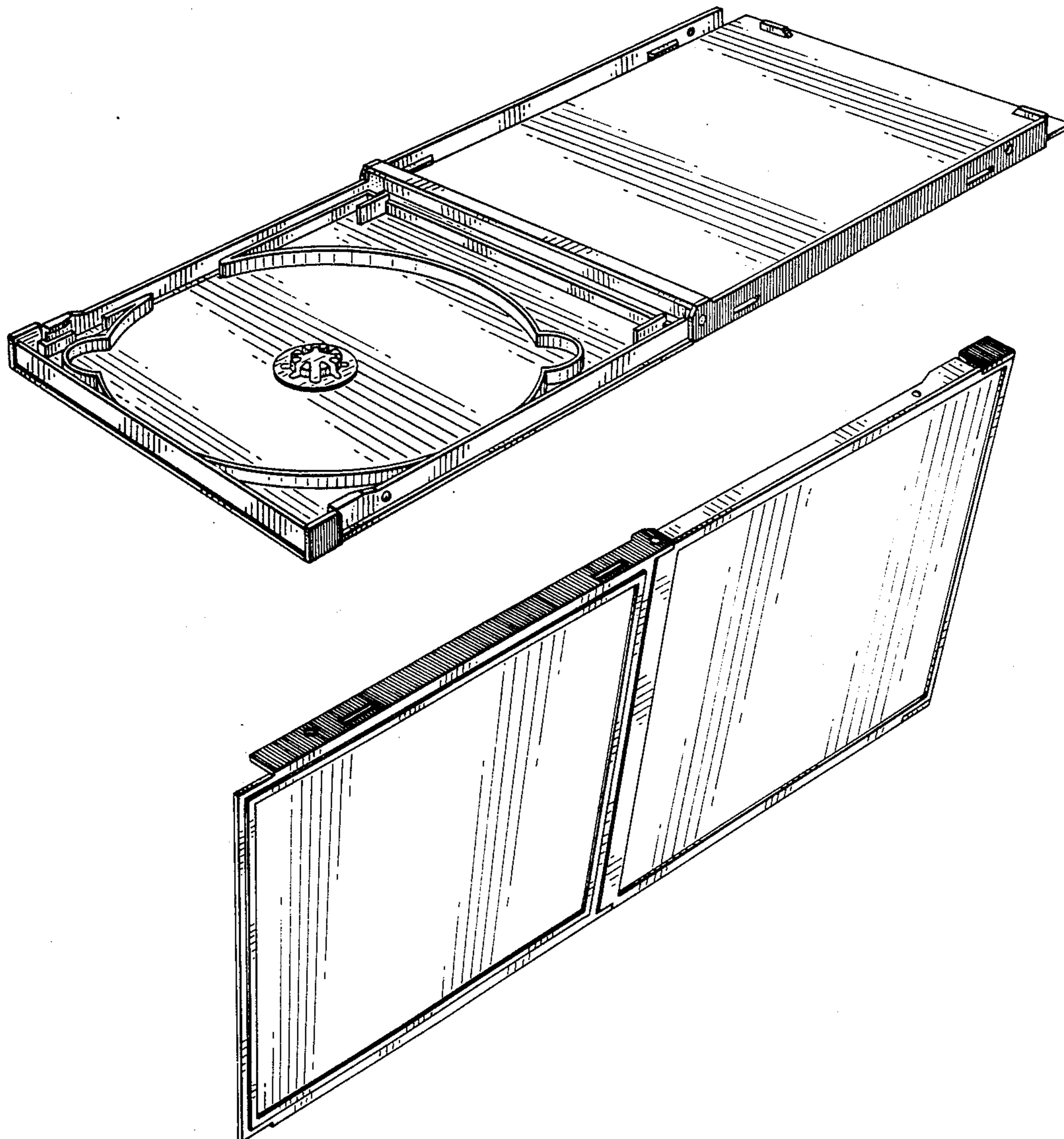
FIG. 5 is a top side perspective view on the storage unit in the closed position; and

FIG. 6 is a bottom side perspective of FIG. 5.

[56] **References Cited**

U.S. PATENT DOCUMENTS

D. 260,122 8/1981 Turner D3/35
3,949,872 4/1976 Paudra's 206/310



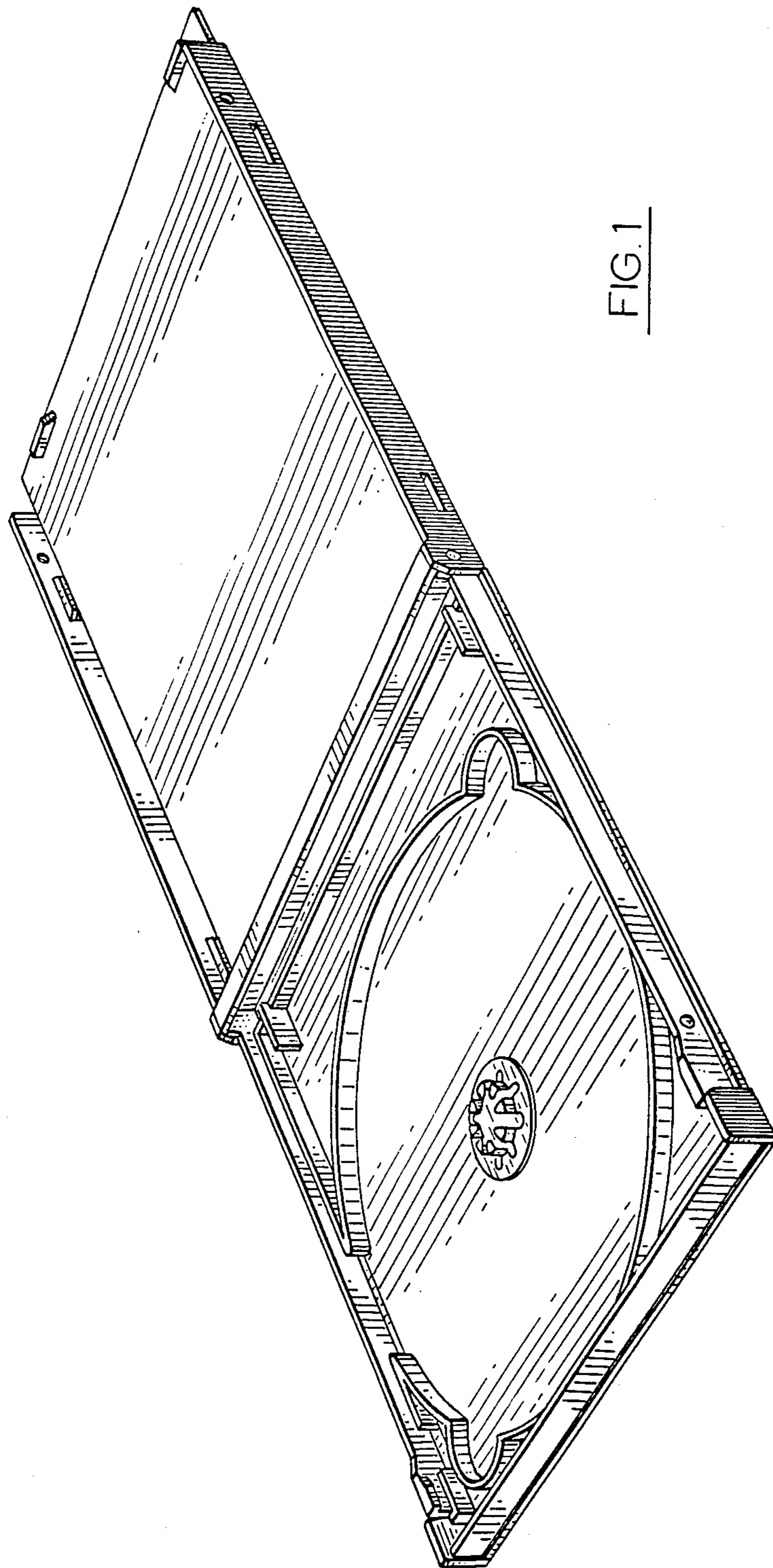
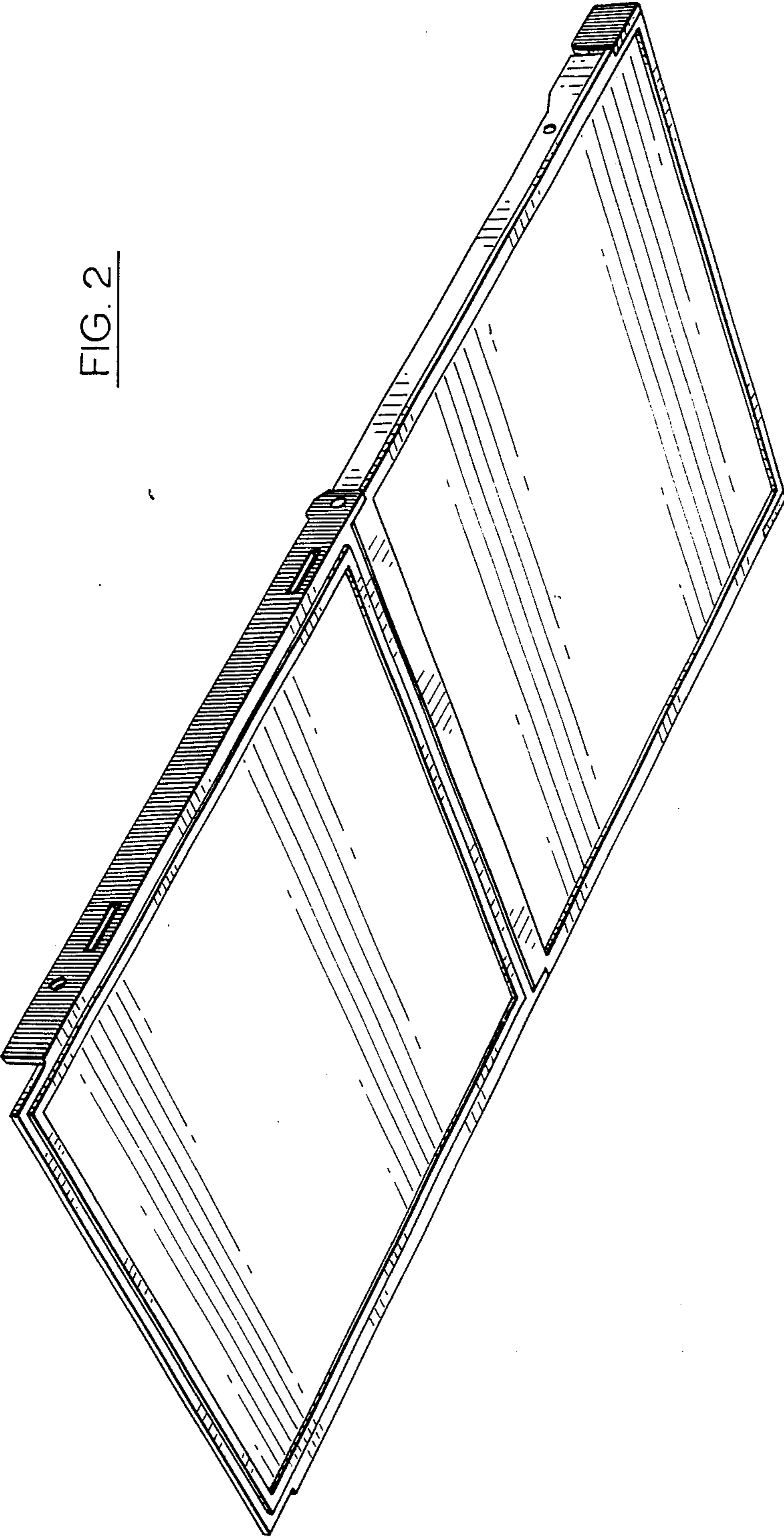


FIG. 1

FIG. 2



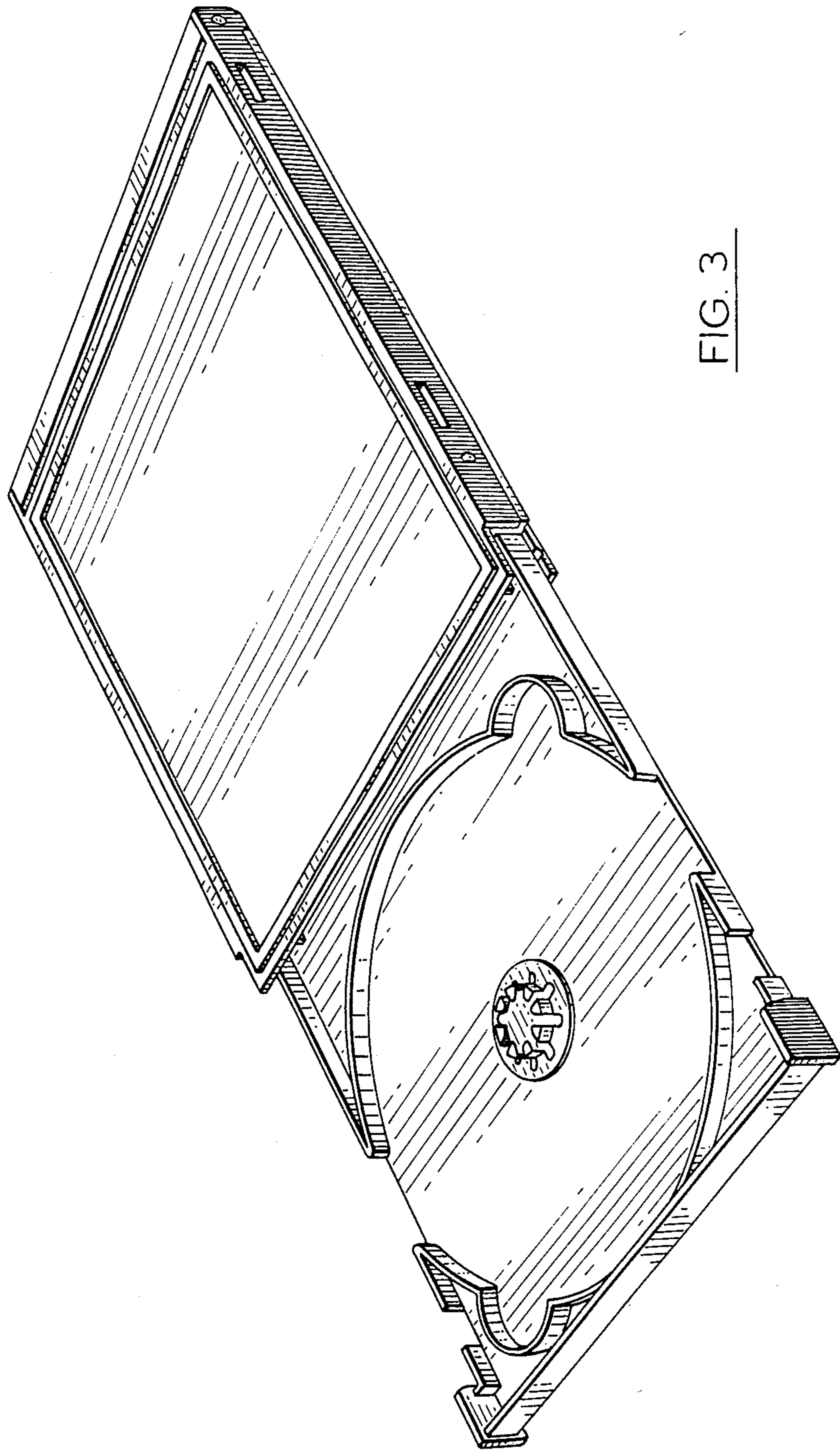


FIG. 3

FIG. 4

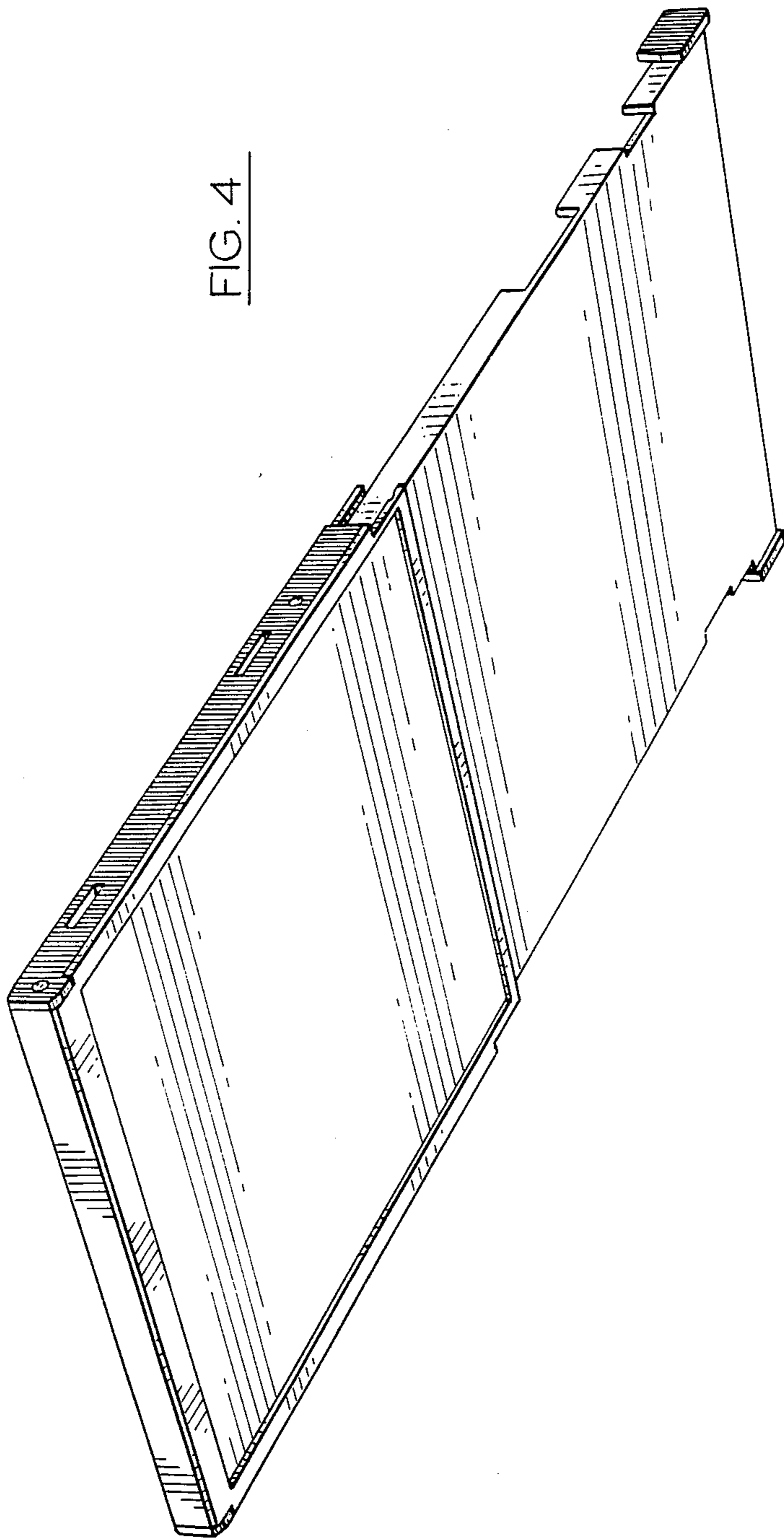


FIG. 5

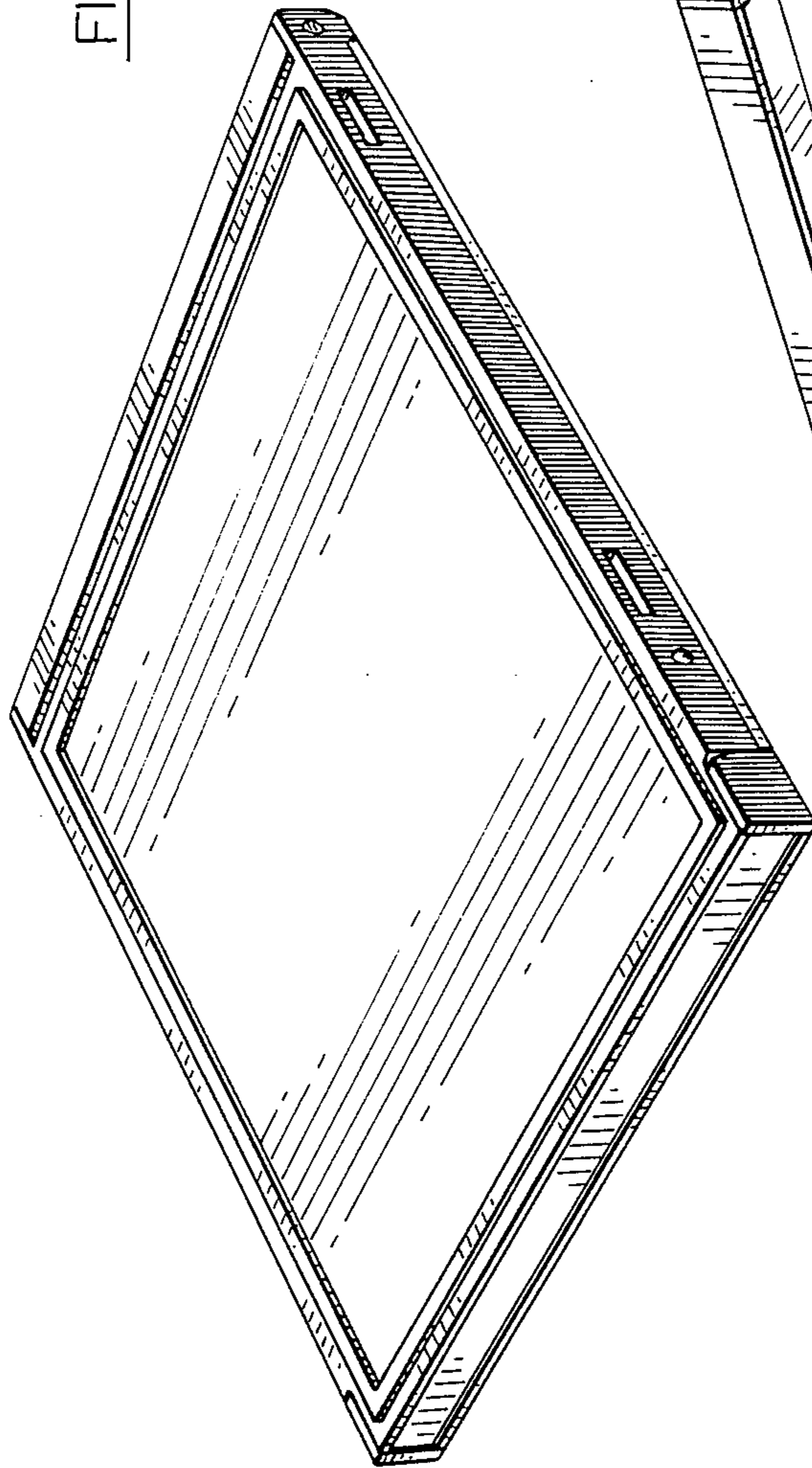


FIG. 6

